

US00D597265S

(12) **United States Design Patent**
Simpson et al.

(10) **Patent No.:** **US D597,265 S**
(45) **Date of Patent:** **** Jul. 28, 2009**

(54) **SINGLE-TIER PET FURNITURE PIECE**

(75) Inventors: **Jeffrey M. Simpson**, 381 Oak Ridge Dr.,
Auburn, AL (US) 36830; **Gary L.**
Rockwell, Auburn, AL (US)

(73) Assignee: **Jeffrey M. Simpson**, Auburn, AL (US)

(**) Term: **14 Years**

(21) Appl. No.: **29/303,012**

(22) Filed: **Jan. 30, 2008**

(51) **LOC (9) Cl.** **30-99**

(52) **U.S. Cl.** **D30/199; D30/160**

(58) **Field of Classification Search** D30/118–120,
D30/160, 158, 199; 119/708, 706, 165, 753,
119/751, 752, 756, 722, 723, 600, 755, 28.5;
D6/480–489, 425, 495–499, 400, 429–431,
D6/392, 368, 352, 397, 396, 384, 382, 460,
D6/454, 451, 426, 477, 349, 338, 330, 335,
D6/340, 360; 108/115, 24, 50.11, 144.11,
108/147, 150, 151, 153.1, 161, 155, 156,
108/157.1, 146, 147.19, 139, 147.2, 118,
108/173, 174, 50.01, 94, 50.02, 23, 132;
5/655, 98.2, 111, 606, 611; D24/183; 297/271.1,
297/423.11, 423.43, DIG. 7, 172, 158.4;
D7/554.3; 248/188, 188.1, 188.7, 188.8,
248/407; 312/312, 223.6, 194, 223.1

See application file for complete search history.

(56) **References Cited**

U.S. PATENT DOCUMENTS

1,919,193	A *	7/1933	Beiger	248/188.3
D139,325	S *	10/1944	Gass	D6/349
D151,119	S *	9/1948	Eames	D6/483
D161,752	S *	1/1951	Hart	D7/554.3
D173,120	S *	9/1954	Levenhagen	D7/554.3
2,787,087	A *	4/1957	Whitman	248/188.3
D197,653	S *	3/1964	Sunberg et al.	D6/496
D236,058	S *	7/1975	Kramer	D6/484
4,077,333	A *	3/1978	Ballas	108/6
D257,653	S *	12/1980	Berlic	D6/480

D274,586	S *	7/1984	Cope et al.	D6/420
D277,056	S *	1/1985	Nicholson	D6/420
D330,299	S *	10/1992	Saotome	D6/429
D337,214	S *	7/1993	Barrons et al.	D6/431
D352,406	S *	11/1994	Scheffers	D6/480
5,758,586	A *	6/1998	Kieser et al.	108/147
D399,077	S *	10/1998	Lepper et al.	D6/484
D409,020	S *	5/1999	Hardin	D6/480
D437,152	S *	2/2001	Brown et al.	D6/495
D446,045	S *	8/2001	Hunt et al.	D6/426
D463,166	S *	9/2002	Russell et al.	D6/485
D474,356	S *	5/2003	Bosman et al.	D6/487
D489,551	S *	5/2004	Cesaroni et al.	D6/480

(Continued)

OTHER PUBLICATIONS

www.drsofostersmith.com; Cat Supplies; Dec. 14, 2007; 6 pages.

Primary Examiner—Susan Moon Lee

(74) *Attorney, Agent, or Firm*—Gardner Groff Greenwald & Villanueva, PC

(57) **CLAIM**

We claim the ornamental design for a single-tier pet furniture piece, as shown and described.

DESCRIPTION

FIG. 1 is a perspective view of a single-tier pet furniture piece according to a first embodiment of the design.

FIG. 2 is a first side view of the single-tier pet furniture piece of FIG. 1.

FIG. 3 is a first end view of the single-tier pet furniture piece of FIG. 1.

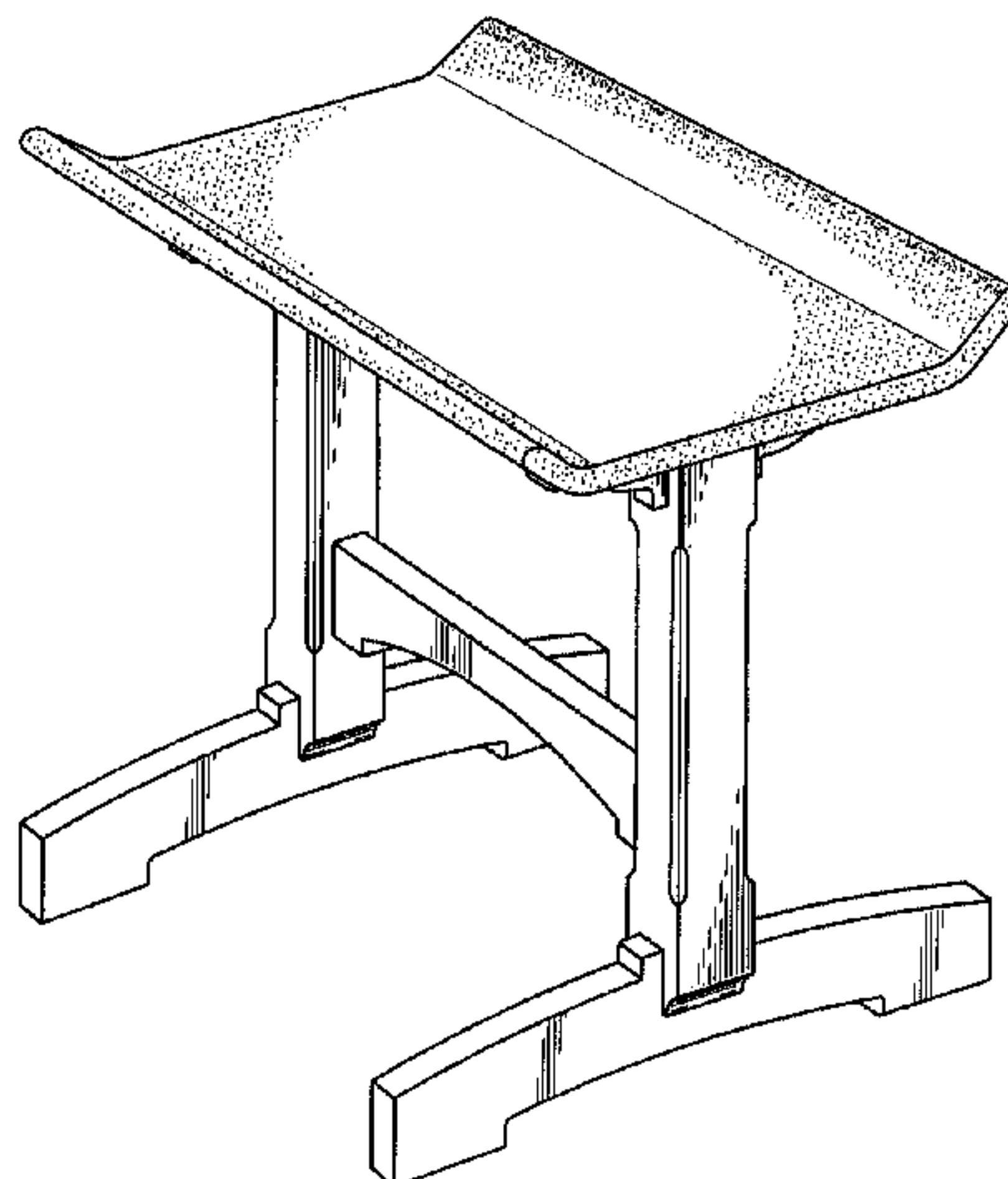
FIG. 4 is a second side view of the single-tier pet furniture piece of FIG. 1.

FIG. 5 is a second end view of the single-tier pet furniture piece of FIG. 1.

FIG. 6 is a top view of the single-tier pet furniture piece of FIG. 1; and,

FIG. 7 is a bottom view of the single-tier pet furniture piece of FIG. 1.

1 Claim, 4 Drawing Sheets



US D597,265 S

Page 2

U.S. PATENT DOCUMENTS

D489,922 S *	5/2004	Choi et al.	D6/499	D536,193 S *	2/2007	Sapp	D6/425
D498,091 S *	11/2004	Winter et al.	D6/495	D557,522 S *	12/2007	Stapleton	D6/484
D501,741 S *	2/2005	Risdall	D6/480	D559,592 S *	1/2008	Glass et al.	D6/499
D510,821 S *	10/2005	Madison	D6/425	D560,084 S *	1/2008	Glass et al.	D6/499
D512,587 S *	12/2005	Frenkler et al.	D6/480	D560,085 S *	1/2008	Glass et al.	D6/499
7,036,437 B2 *	5/2006	Choi et al.	108/118	D563,697 S *	3/2008	Glass et al.	D6/499
D523,663 S *	6/2006	Risdall	D6/480	D577,517 S *	9/2008	Kumazawa	D6/499
D535,506 S *	1/2007	Wilson	D6/503	D578,324 S *	10/2008	Glass et al.	D6/495
				D578,327 S *	10/2008	Birsel et al.	D6/511

* cited by examiner

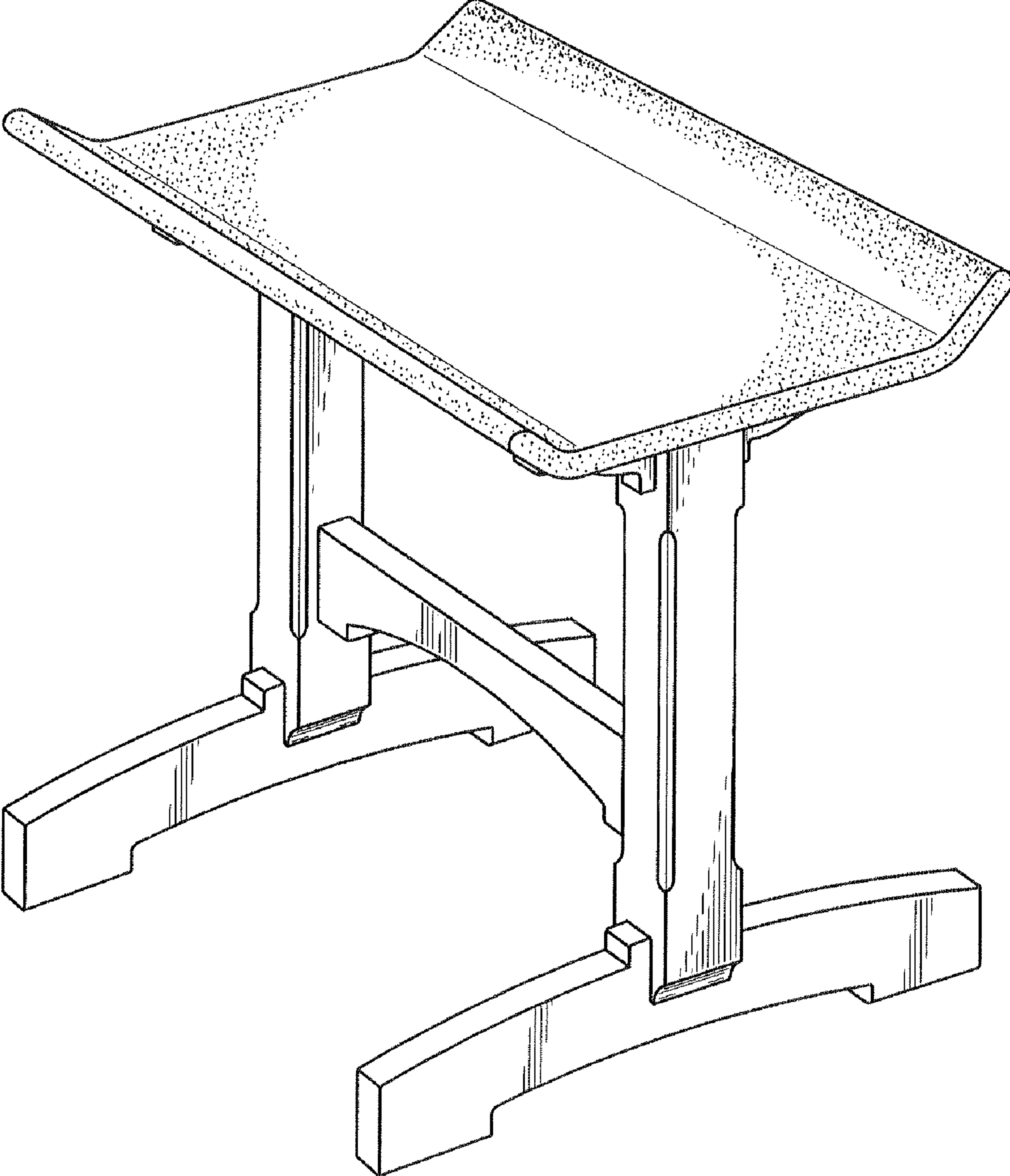


Fig. 1

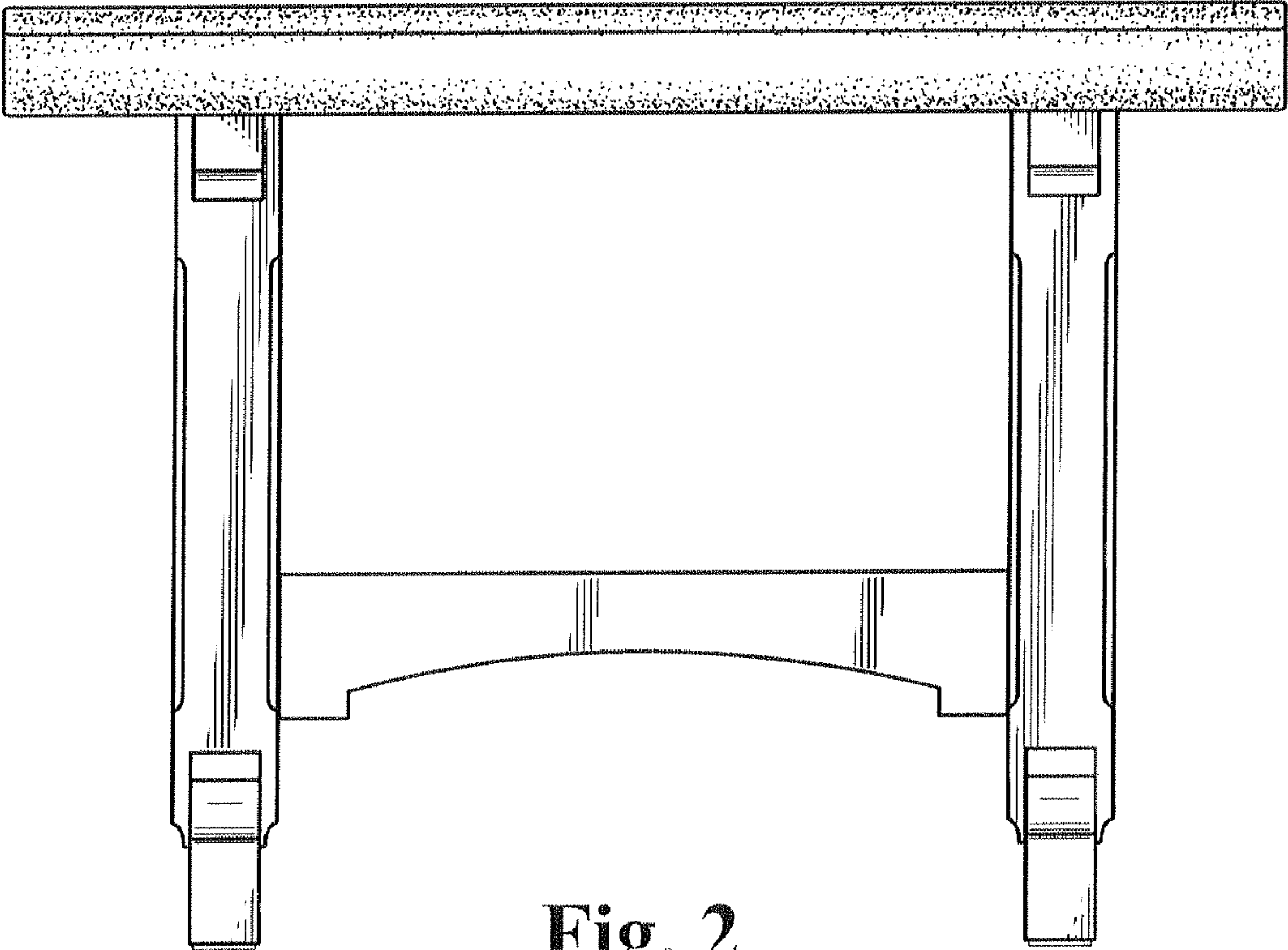


Fig. 2

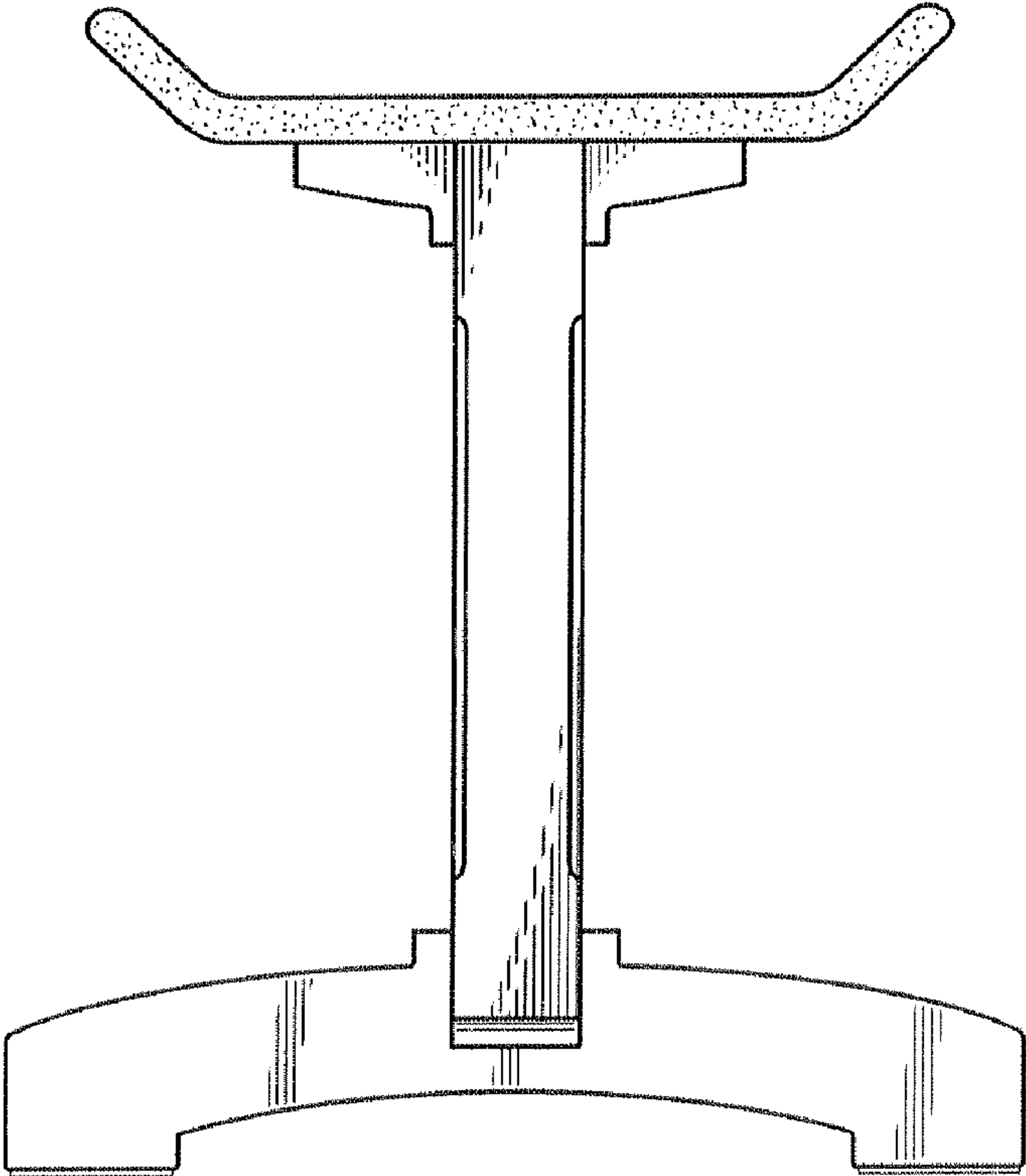
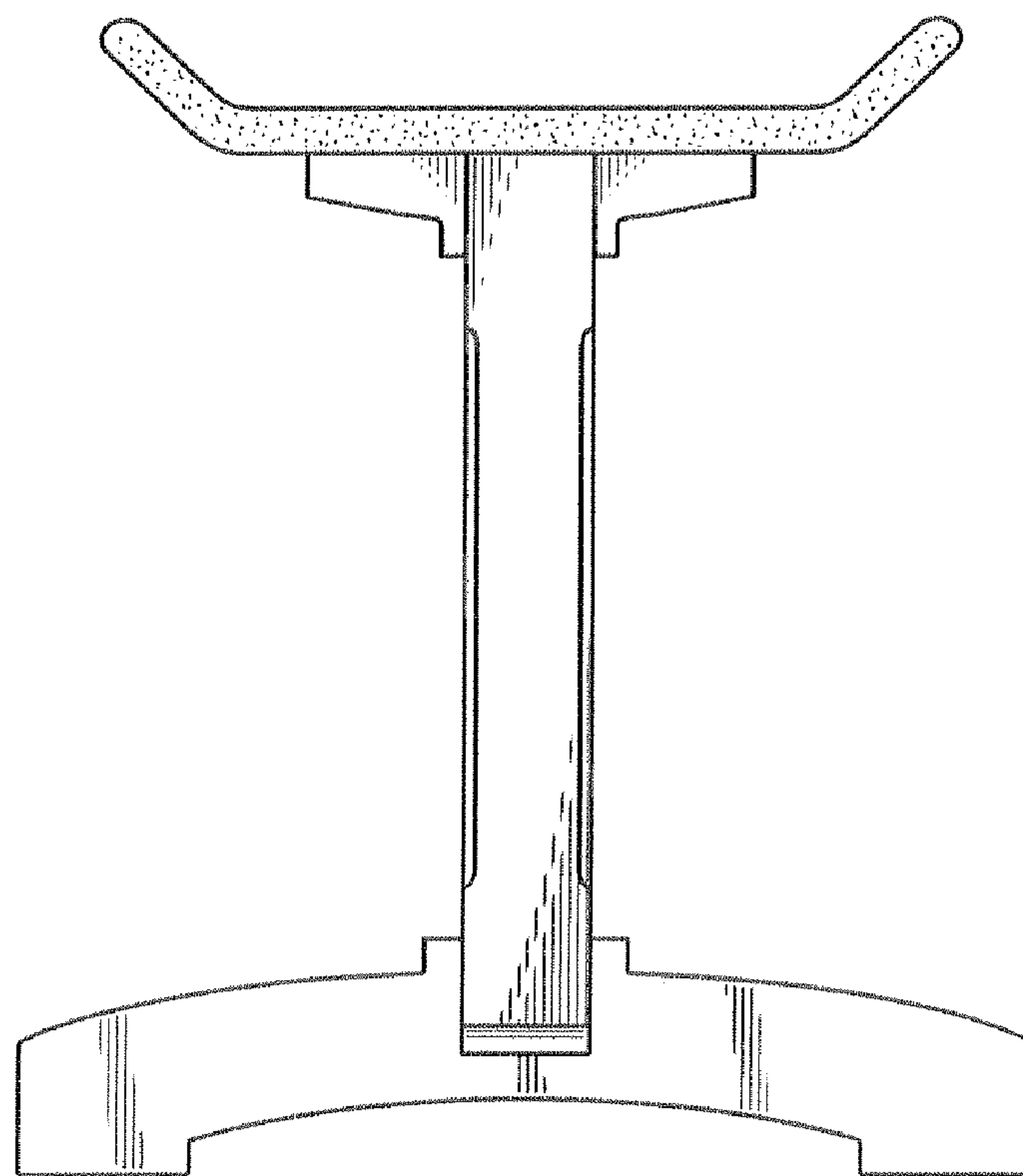
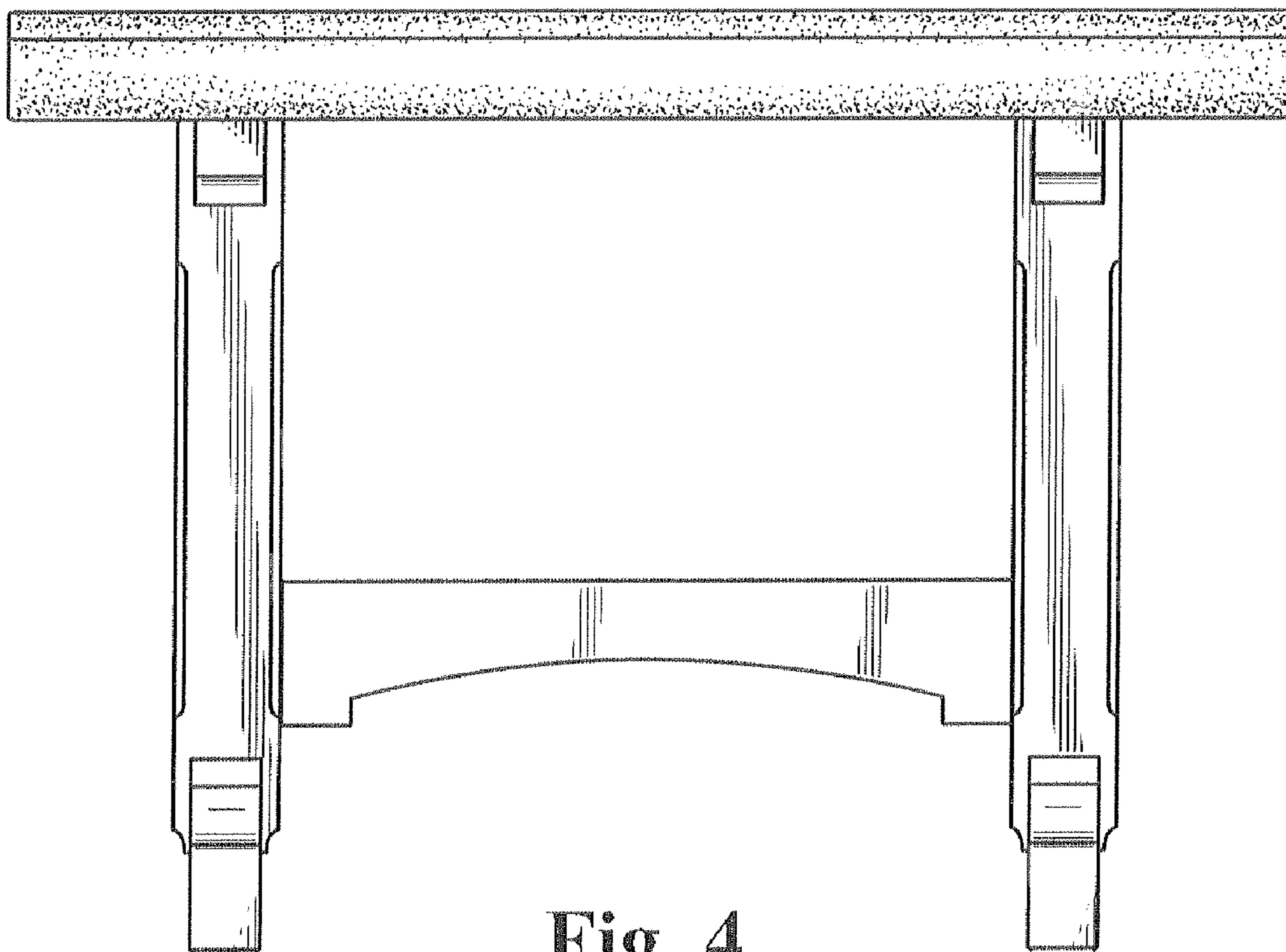


Fig. 3



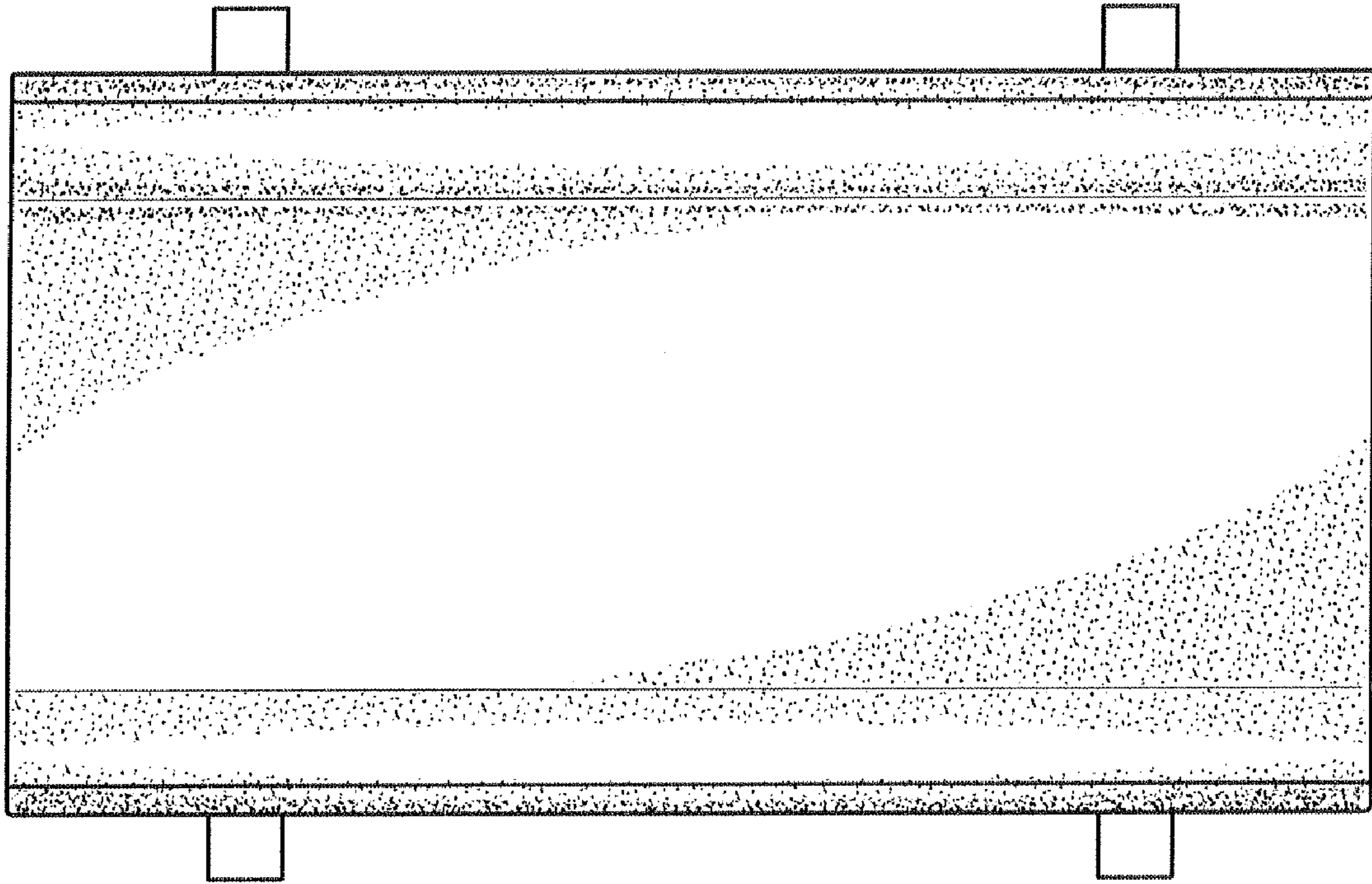


Fig. 6

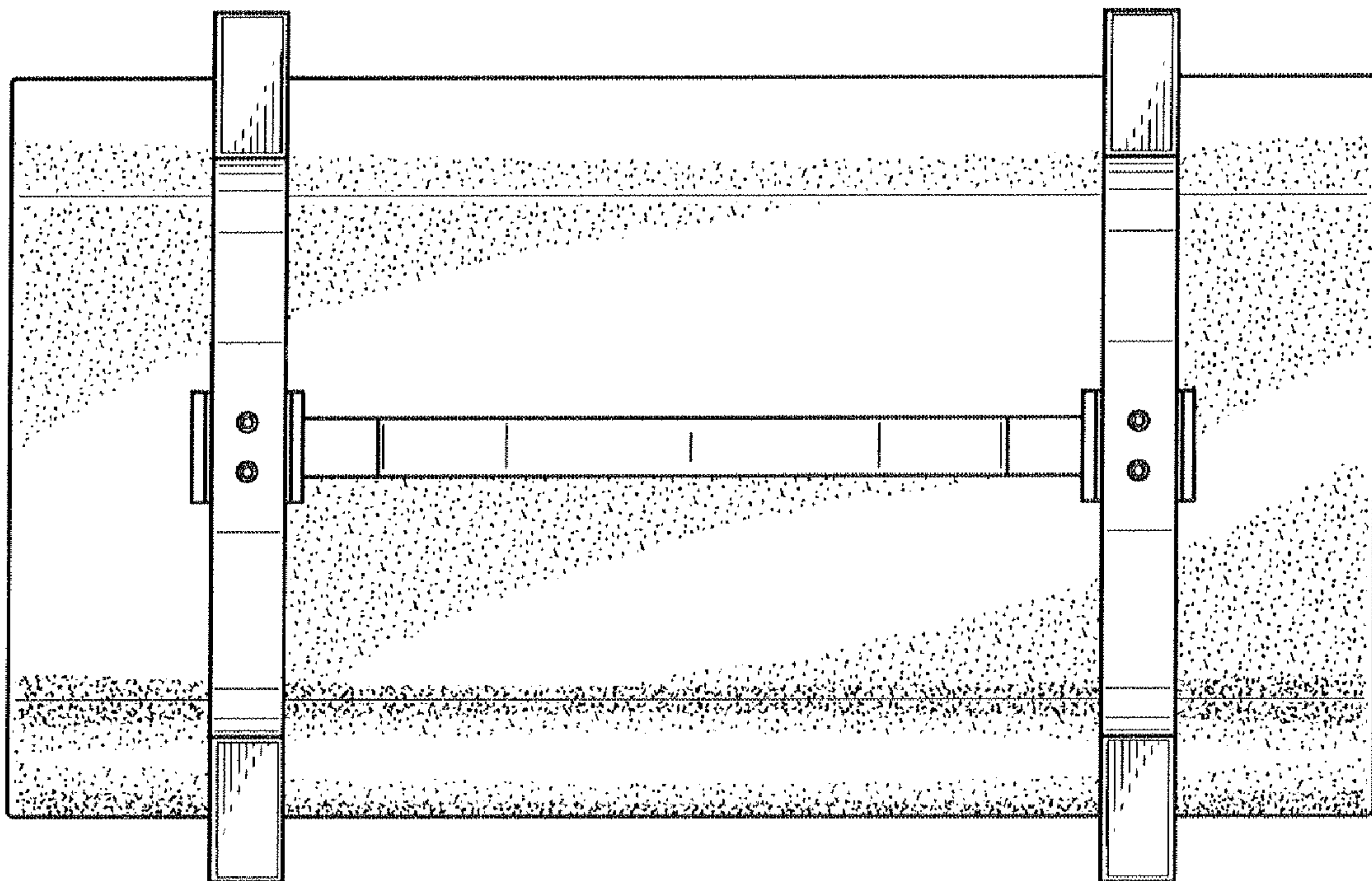


Fig. 7