



US00D597263S

(12) **United States Design Patent**
Nazimek

(10) **Patent No.:** **US D597,263 S**

(45) **Date of Patent:** **** *Jul. 28, 2009**

(54) **DOG TOY**

(76) Inventor: **Jill B. Nazimek**, 200 Skyline Dr.,
Golden, CO (US) 80403

(*) Notice: This patent is subject to a terminal disclaimer.

(**) Term: **14 Years**

(21) Appl. No.: **29/265,583**

(22) Filed: **Sep. 1, 2006**

(51) **LOC (9) Cl.** **30-99**

(52) **U.S. Cl.** **D30/160**

(58) **Field of Classification Search** D30/160;
119/700, 702-703, 706-711

See application file for complete search history.

(56) **References Cited**

U.S. PATENT DOCUMENTS

D22,987 S	12/1893	Wahler	
2,122,372 A	6/1938	Hooper et al.	
2,197,839 A	4/1940	Roberts et al.	
D146,367 S	2/1947	Mahler	
D328,805 S	8/1992	O'Rourke	
D330,100 S	10/1992	O'Rourke	
5,282,777 A	2/1994	Myers	
D358,911 S	5/1995	Hotta et al.	
D359,147 S	6/1995	Hotta et al.	
D360,712 S *	7/1995	Bush	D30/160
D371,645 S	7/1996	Lawson	
D453,241 S	1/2002	Kaplan	
D460,616 S *	7/2002	Vazquez	D3/244
6,490,998 B1	12/2002	Rocher	

D473,374 S *	4/2003	Vazquez	D3/244
D485,399 S	1/2004	Nazimek	
6,681,721 B1 *	1/2004	Buschy	119/709
D507,685 S	7/2005	Nazimek	
D517,752 S *	3/2006	Byrne	D30/160
D528,709 S *	9/2006	Nazimek	D30/160
D532,465 S	11/2006	Mills et al.	
D544,155 S *	6/2007	Lamstein et al.	D30/160
D569,562 S	5/2008	Nazimek	
D571,061 S	6/2008	Nazimek	
D575,909 S	8/2008	Nazimek	
D575,910 S	8/2008	Nazimek	
2007/0062459 A1	3/2007	Costello et al.	

* cited by examiner

Primary Examiner—Cathy Anne MacCormac

(74) *Attorney, Agent, or Firm*—Margaret Polson; Oppedahl Paten Law Firm LLC

(57) **CLAIM**

The ornamental design for a dog toy, as shown and described.

DESCRIPTION

FIG. 1 is a perspective view of the dog toy of the present invention;

FIG. 2 is a front view thereof;

FIG. 3 is a rear view thereof;

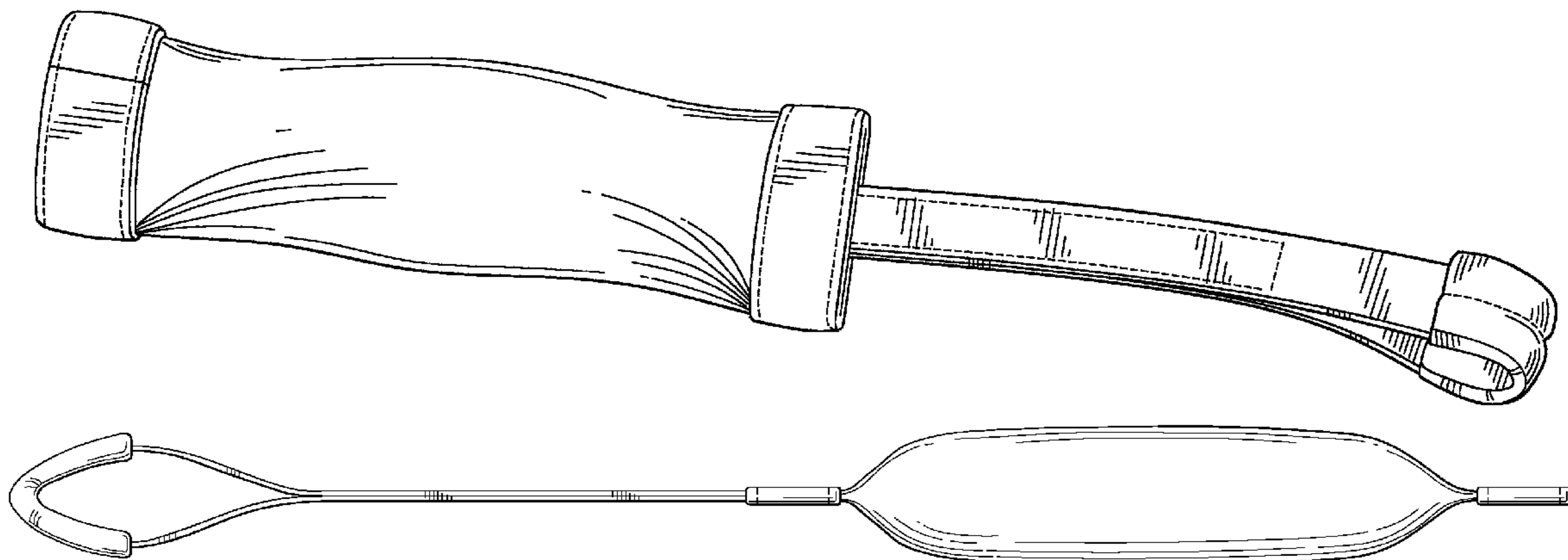
FIG. 4 is a right side view thereof;

FIG. 5 is a left side view thereof;

FIG. 6 is a top view thereof; and,

FIG. 7 is a bottom view thereof.

1 Claim, 3 Drawing Sheets



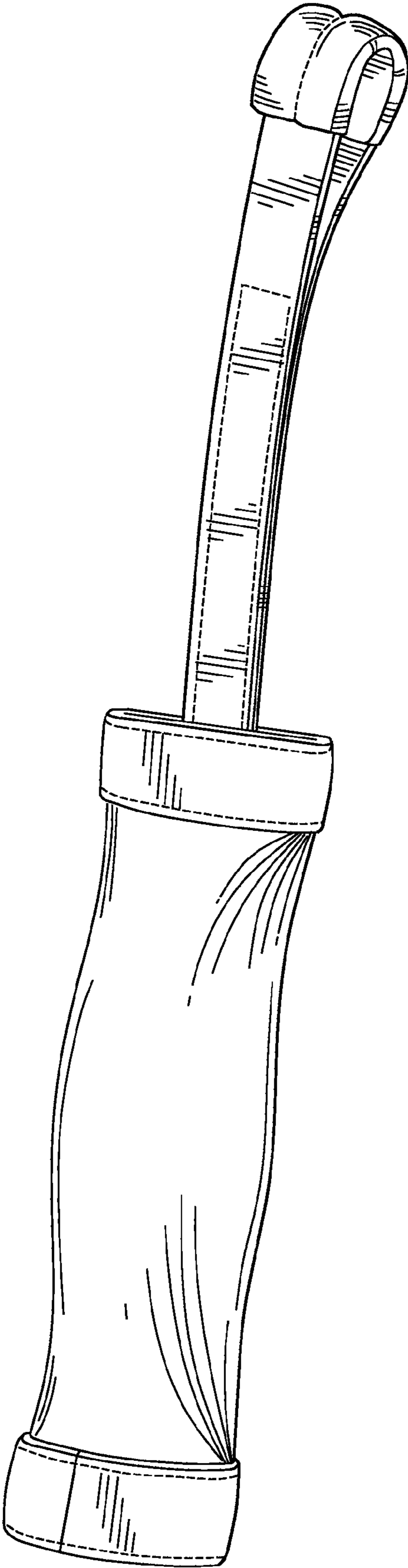


FIG.1

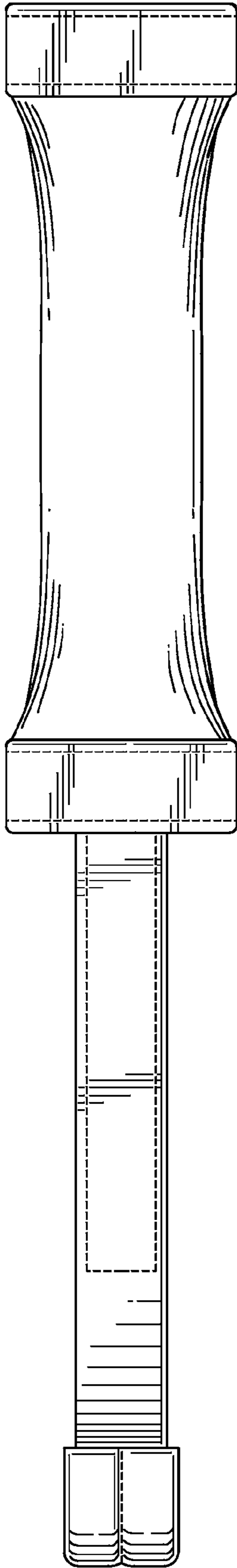


FIG. 2

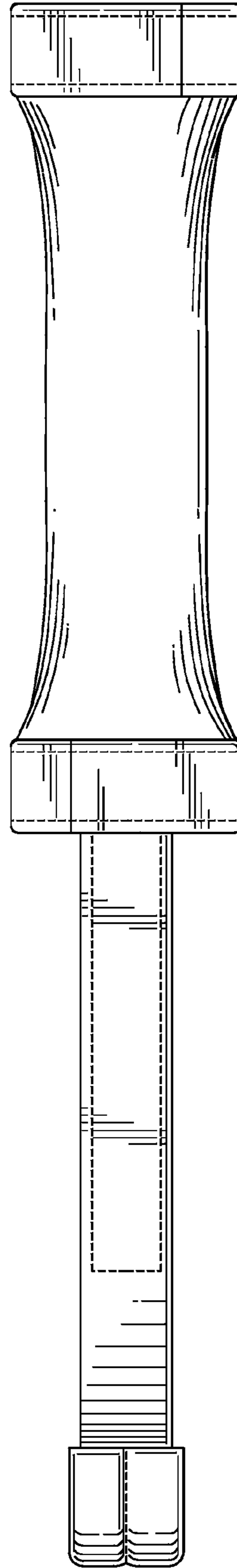


FIG. 3

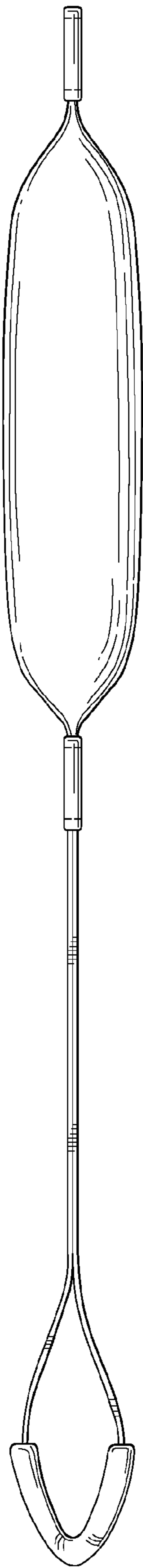


FIG. 4

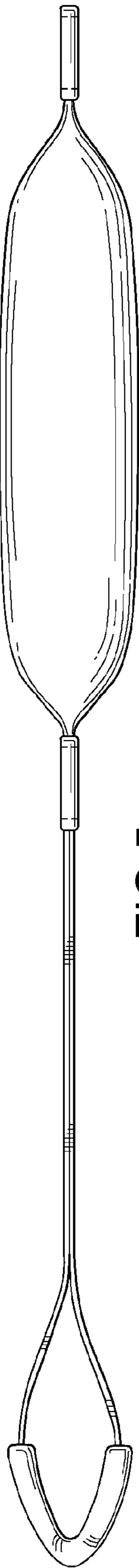


FIG. 5

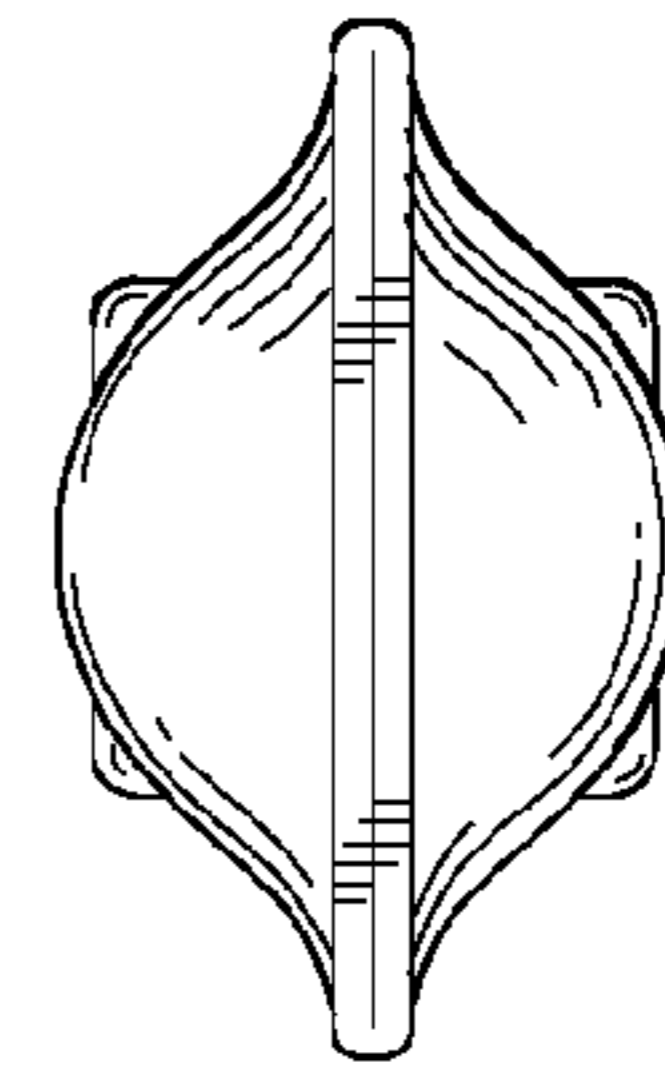


FIG. 7

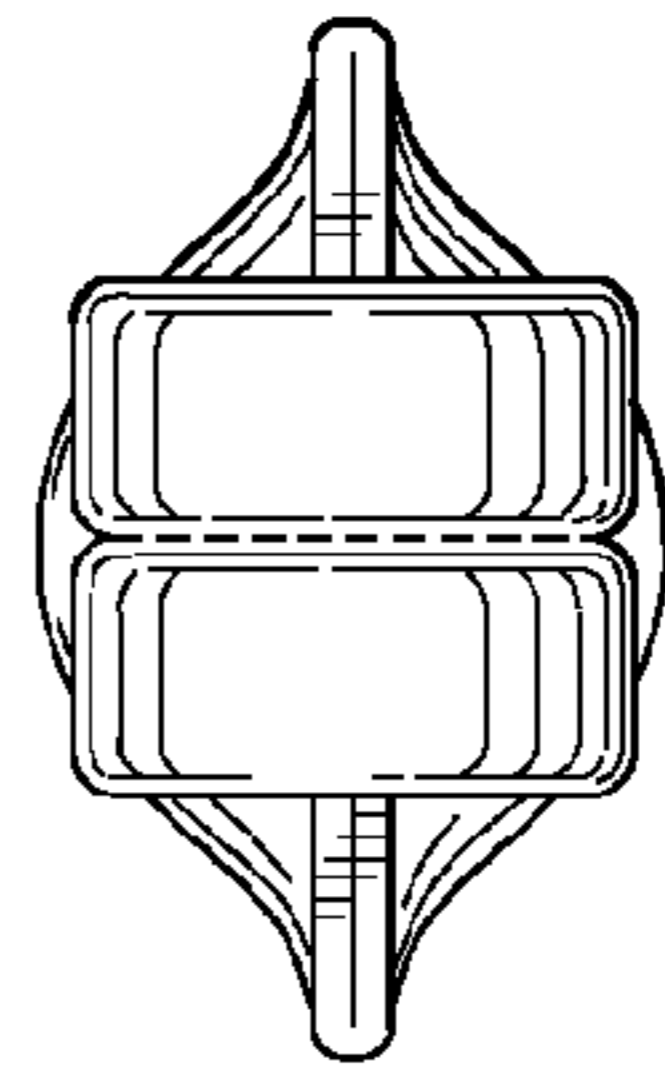


FIG. 6