



US00D597261S

(12) **United States Design Patent**
Dye, Jr. et al.

(10) **Patent No.:** **US D597,261 S**
(45) **Date of Patent:** **** Jul. 28, 2009**

(54) **BIRD BATH FLOAT**

(57) **CLAIM**

(76) Inventors: **Gordon S. Dye, Jr.**, 715 Thompson,
Sheffield, IA (US) 50475; **Theresa A.
Dye**, 715 Thompson, Sheffield, IA (US)
50475

We claim the ornamental design for a bird bath float, as shown
and described.

(**) Term: **14 Years**

DESCRIPTION

(21) Appl. No.: **29/308,983**

FIG. 1 is a perspective view of the bird bath float of our new
design;

(22) Filed: **Jul. 21, 2008**

Related U.S. Application Data

(62) Division of application No. 29/273,084, filed on Feb.
27, 2007, now Pat. No. Des. 589,658.

FIG. 2 is a front elevational view of FIG. 1;

FIG. 3 is a top plan view of FIG. 1;

FIG. 4 is a bottom plan view of FIG. 1;

FIG. 5 is a side elevational view of the left side of FIG. 1;

FIG. 6 is a side elevational view of the right side of FIG. 1;

FIG. 7 is a back elevational view of FIG. 1;

FIG. 8 is a sectional view taken along line 8—8 of FIG. 2;

FIG. 9 is a perspective view of a first modification of the bird
bath float of FIG. 1;

FIG. 10 is a front elevational view of FIG. 9;

FIG. 11 is a top plan view of FIG. 9;

FIG. 12 is a bottom plan view of FIG. 9;

FIG. 13 is a side elevational view of the left side of FIG. 9;

FIG. 14 is a side elevational view of the right side of FIG. 9;

FIG. 15 is a back elevational view of FIG. 9;

FIG. 16 is a sectional view taken along line 16—16 of FIG.
10;

FIG. 17 is a perspective view of a second modification of the
bird bath float of FIG. 1;

FIG. 18 is a front elevational view of FIG. 17;

FIG. 19 is a side elevational view of the right side of FIG. 17,
the side elevational view of the left side being a mirror image
thereof;

FIG. 20 is a top plan view of FIG. 17;

FIG. 21 is a bottom plan view of FIG. 17;

FIG. 22 is a sectional view taken along line 22—22 of FIG.
18; and,

FIG. 23 is a back elevational view of FIG. 17.

(51) **LOC (9) Cl.** **30-07**
(52) **U.S. Cl.** **D30/123**
(58) **Field of Classification Search** D30/123,
D30/129, 132, 121; 119/69.5, 673, 57.8,
119/68, 74, 61.57, 78-81, 61.4, 57.9, 51.5,
119/61.5, 72; 47/66.6, 39, 67, 83; 239/27,
239/280, 200, 281, 280.5, 273, 16, 17, 20,
239/22; 4/644, 627, 638; D7/558; D11/144,
D11/145, 153; D99/5, 24; 27/1; D23/201,
D23/292; 248/127, 132, 137, 138, 158, 910;
215/10; D6/353, 352, 484, 360, 480, 488;
219/521; 329/442, 459

See application file for complete search history.

(56) **References Cited**

U.S. PATENT DOCUMENTS

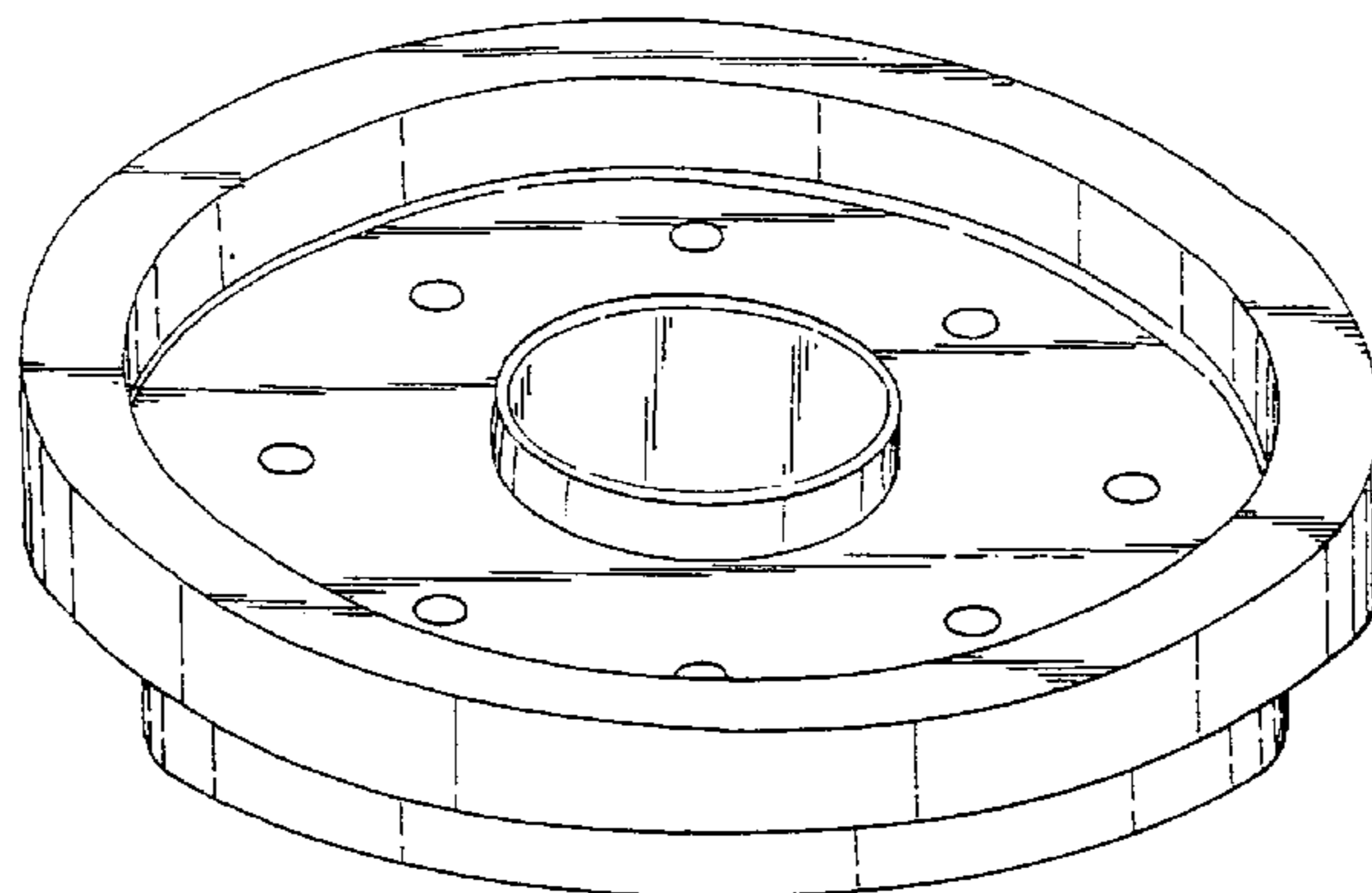
D35,476 S 12/1901 Springer
798,264 A 8/1905 Carrier
1,224,305 A * 5/1917 Kraus 119/69.5
D76,699 S 10/1928 McEldowney

(Continued)

Primary Examiner—Susan Moon Lee

(74) *Attorney, Agent, or Firm*—Richard John Bartz

1 Claim, 8 Drawing Sheets



US D597,261 S

Page 2

U.S. PATENT DOCUMENTS

1,953,933	A *	4/1934	Gundelach	D7/543	D355,100	S *	2/1995	Goodman et al.	D7/624.1
D137,262	S	2/1944	Hiemenz		D363,644	S *	10/1995	Wyatt et al.	D7/553.6
2,647,678	A *	8/1953	Olson	229/402	D366,102	S	1/1996	Bonnell	
2,709,905	A *	6/1955	Dunlap	248/346.11	D366,799	S *	2/1996	Curtin	D6/574
2,796,042	A	6/1957	Harold		D375,659	S *	11/1996	Lipic	D7/624.1
2,938,495	A *	5/1960	Hinton	119/69.5	5,577,344	A *	11/1996	Zaremba et al.	47/39
2,941,502	A *	6/1960	Pusey	119/69.5	D378,153	S	2/1997	Freedland	
3,084,666	A *	4/1963	Plaisance	119/69.5	D379,727	S *	6/1997	Rylen	D6/511
D195,524	S	6/1963	Patton		D387,250	S *	12/1997	Tubbesing	D7/624.1
D197,234	S *	12/1963	Karlik	D30/123	5,715,954	A	2/1998	Zaremba	
3,176,676	A *	4/1965	Caldwell	126/25 A	D391,440	S *	3/1998	Cousins	D7/360
3,195,510	A *	7/1965	Berustein	119/61.53	D393,922	S *	4/1998	Moore et al.	D27/133
D205,595	S	8/1966	Titus		5,743,212	A *	4/1998	Forjohn	119/69.5
3,268,198	A *	8/1966	Swett	248/346.11	5,775,586	A *	7/1998	Hamilton-Bruzzi et al. ...	239/20
D211,532	S *	6/1968	Ashton	D7/553.8	D400,406	S *	11/1998	House	D7/624.1
D213,599	S *	3/1969	Siebel	D6/455	D402,399	S *	12/1998	Fowler	D27/135
3,648,659	A *	3/1972	Jones	119/69.5	D408,227	S *	4/1999	Swann, Jr.	D7/624.1
3,745,977	A *	7/1973	Martin	119/73	5,931,118	A *	8/1999	Thompson	119/69.5
D229,655	S *	12/1973	Cyren	D7/624.1	D424,250	S *	5/2000	Clifton	D30/123
3,995,591	A	12/1976	Garwood		D428,776	S *	8/2000	Shuman	D7/624.1
D243,219	S *	2/1977	Jeffries	D6/574	6,099,203	A	8/2000	Landes	
D244,534	S	5/1977	Gruber		6,102,352	A *	8/2000	Kvalvog	248/346.11
4,089,498	A *	5/1978	Woodruff	248/346.11	6,123,206	A *	9/2000	Zaremba	211/107
D255,751	S *	7/1980	Daenen	D7/667	6,145,906	A *	11/2000	Wright et al.	294/172
4,286,546	A *	9/1981	Moore	119/1.54	D434,946	S	12/2000	Jarvis	
4,336,574	A *	6/1982	Goodman	362/101	D445,619	S *	7/2001	Achey	D6/511
D270,799	S *	10/1983	Creske	D6/511	D447,304	S	8/2001	Niemeyer	
D271,137	S	10/1983	Kohler et al.		D451,250	S *	11/2001	Chrisco et al.	D30/123
4,452,581	A *	6/1984	Panehal	425/464	D453,263	S *	2/2002	Wogan	D3/10
4,501,201	A *	2/1985	Fitzner et al.	108/27	6,345,466	B1	2/2002	Venanzi	
D286,250	S *	10/1986	Prescott	D7/557	6,354,711	B1 *	3/2002	McCoy	362/101
D291,635	S *	9/1987	Dickman	D6/509	6,553,943	B1	4/2003	Murphy	
D297,297	S *	8/1988	Lacey	D7/354	6,684,813	B1 *	2/2004	Lemon	119/69.5
D297,799	S *	9/1988	Hammer	D7/507	D495,211	S	8/2004	Brown	
D297,896	S	10/1988	Welborn		D496,831	S *	10/2004	Strahota et al.	D7/600.3
D303,194	S *	9/1989	Darby et al.	D7/507	D498,979	S	11/2004	Bhavnani	
4,917,279	A *	4/1990	Brow et al.	224/42.14	D507,933	S *	8/2005	Carmichael	D7/505
D319,123	S	8/1991	DeRewal		6,959,665	B2 *	11/2005	Flowers et al.	119/69.5
5,076,438	A *	12/1991	Aronson	206/557	6,971,613	B2	12/2005	Shendelman	
D324,148	S *	2/1992	Dickman	D6/511	7,219,623	B2 *	5/2007	Flowers et al.	119/69.5
5,165,365	A *	11/1992	Thompson	119/61.53	D559,471	S *	1/2008	Dye, Jr.	D30/123
D332,030	S *	12/1992	Kauffman et al.	D7/624.1	D571,623	S *	6/2008	Loving	D7/707
D341,539	S	11/1993	Davis et al.		D572,416	S *	7/2008	Dye, Jr.	D30/123
5,273,182	A *	12/1993	Laybourne	220/740	2003/0196361	A1	10/2003	Wang	
D343,206	S *	1/1994	Adell	D21/371	2004/0134439	A1	7/2004	Flowers et al.	
D344,651	S *	3/1994	Reese	D6/574	2005/0056227	A1 *	3/2005	Flowers et al.	119/69.5
5,307,250	A *	4/1994	Pearson	362/101	2005/0204688	A1	9/2005	Sherman	
5,333,325	A	8/1994	Levien et al.		2006/0169213	A1	8/2006	Montie	

* cited by examiner

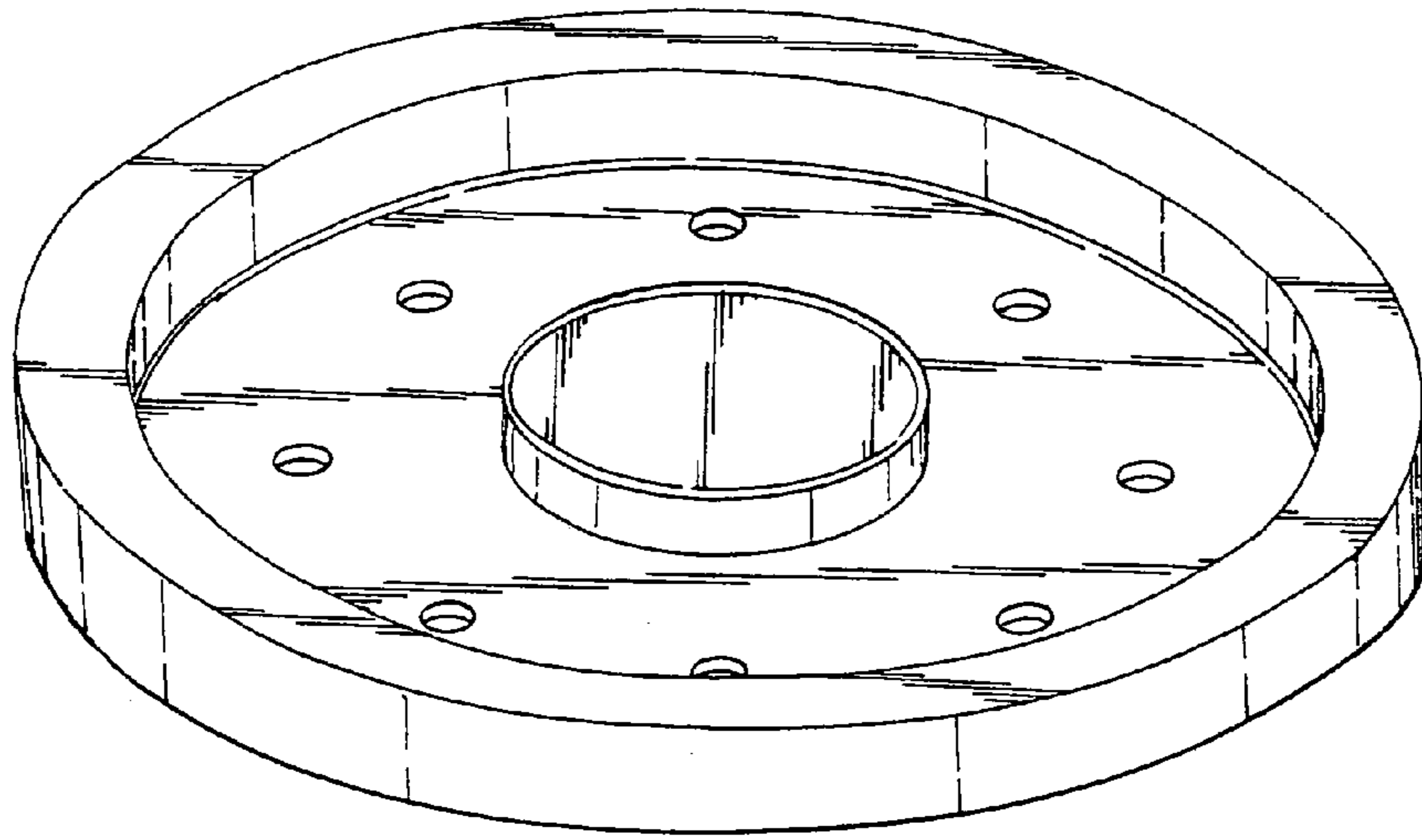


FIG. 1

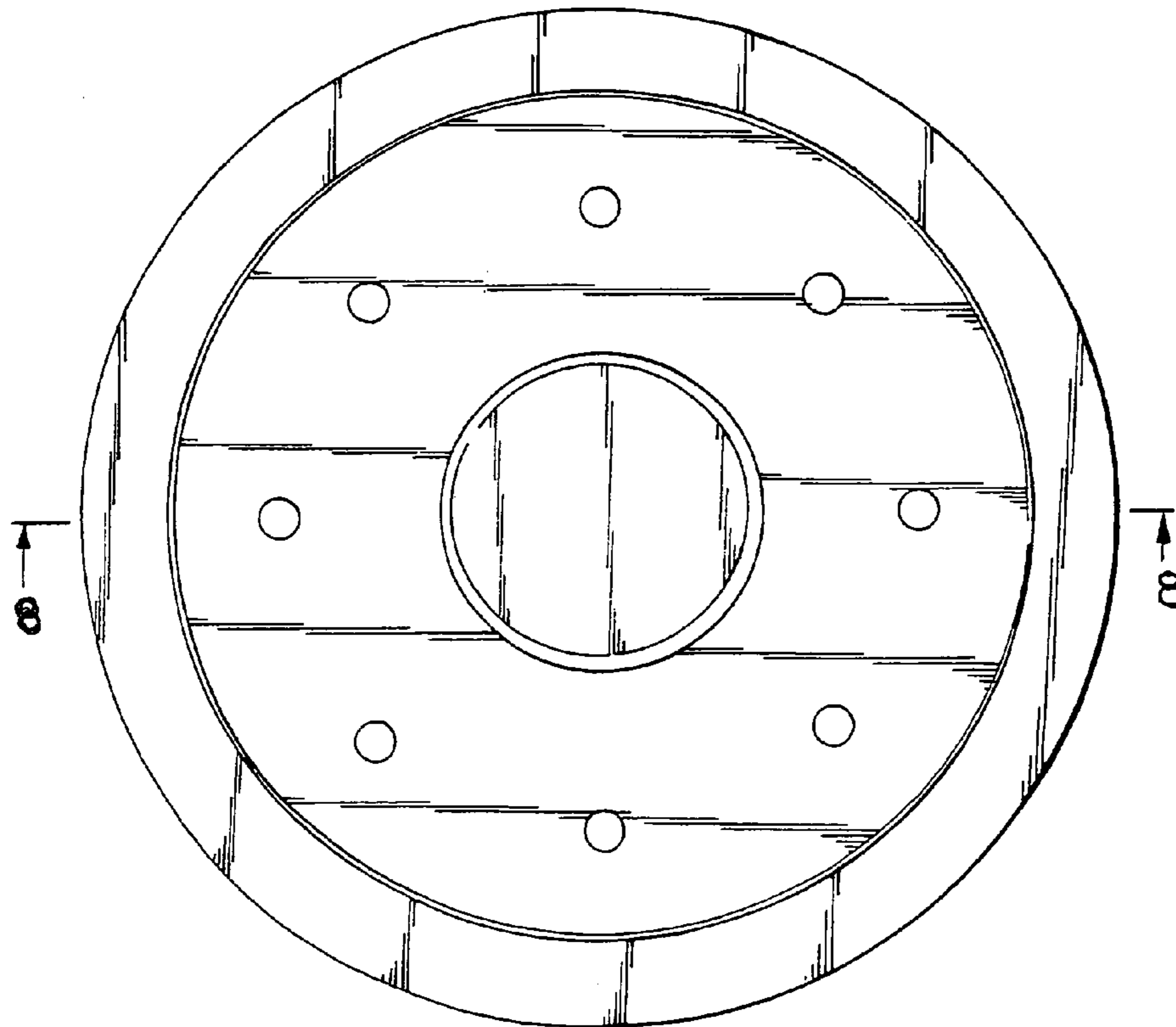


FIG. 2

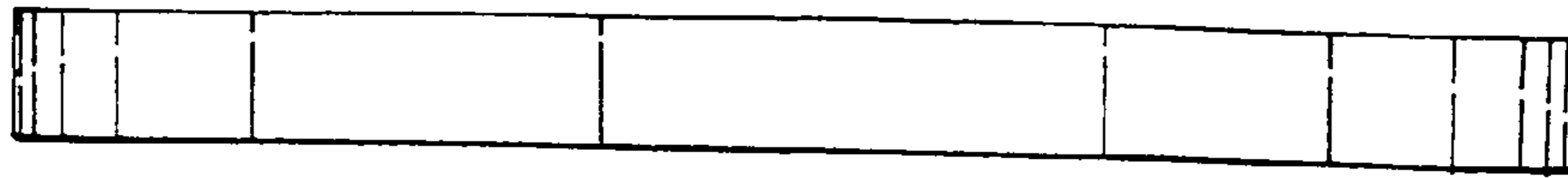


FIG. 3



FIG. 4



FIG. 5



FIG. 6

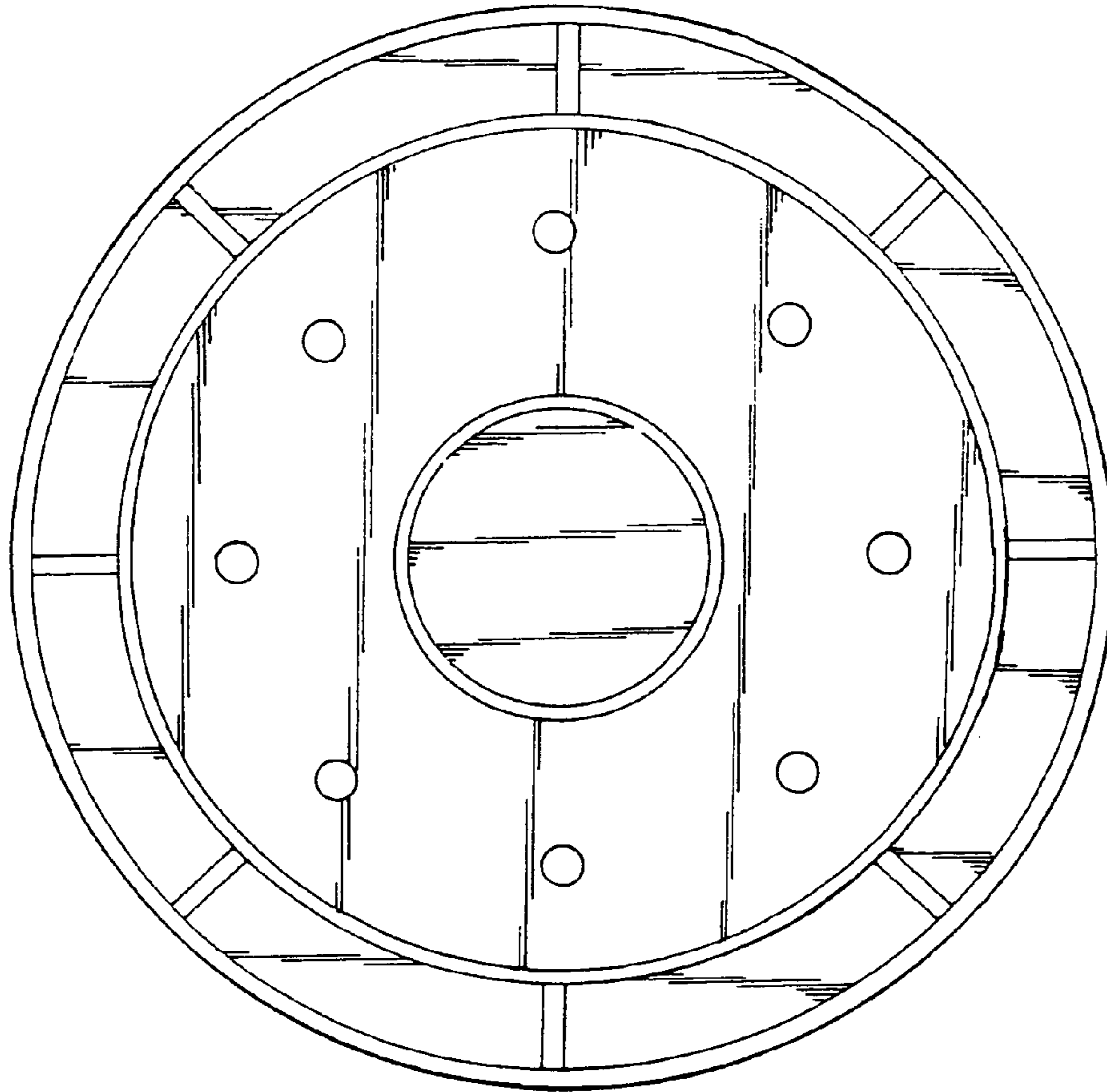


FIG. 7

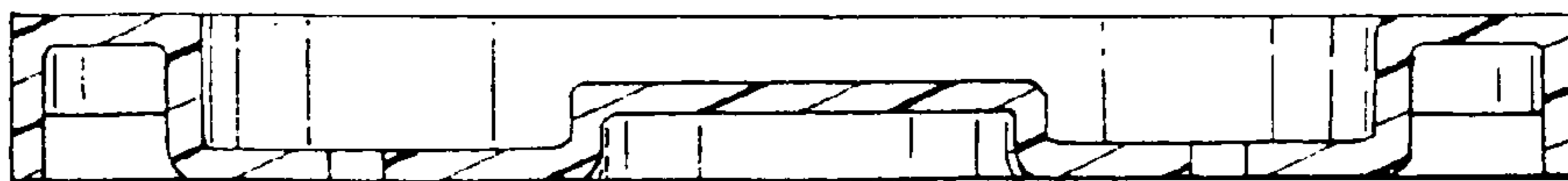


FIG. 8

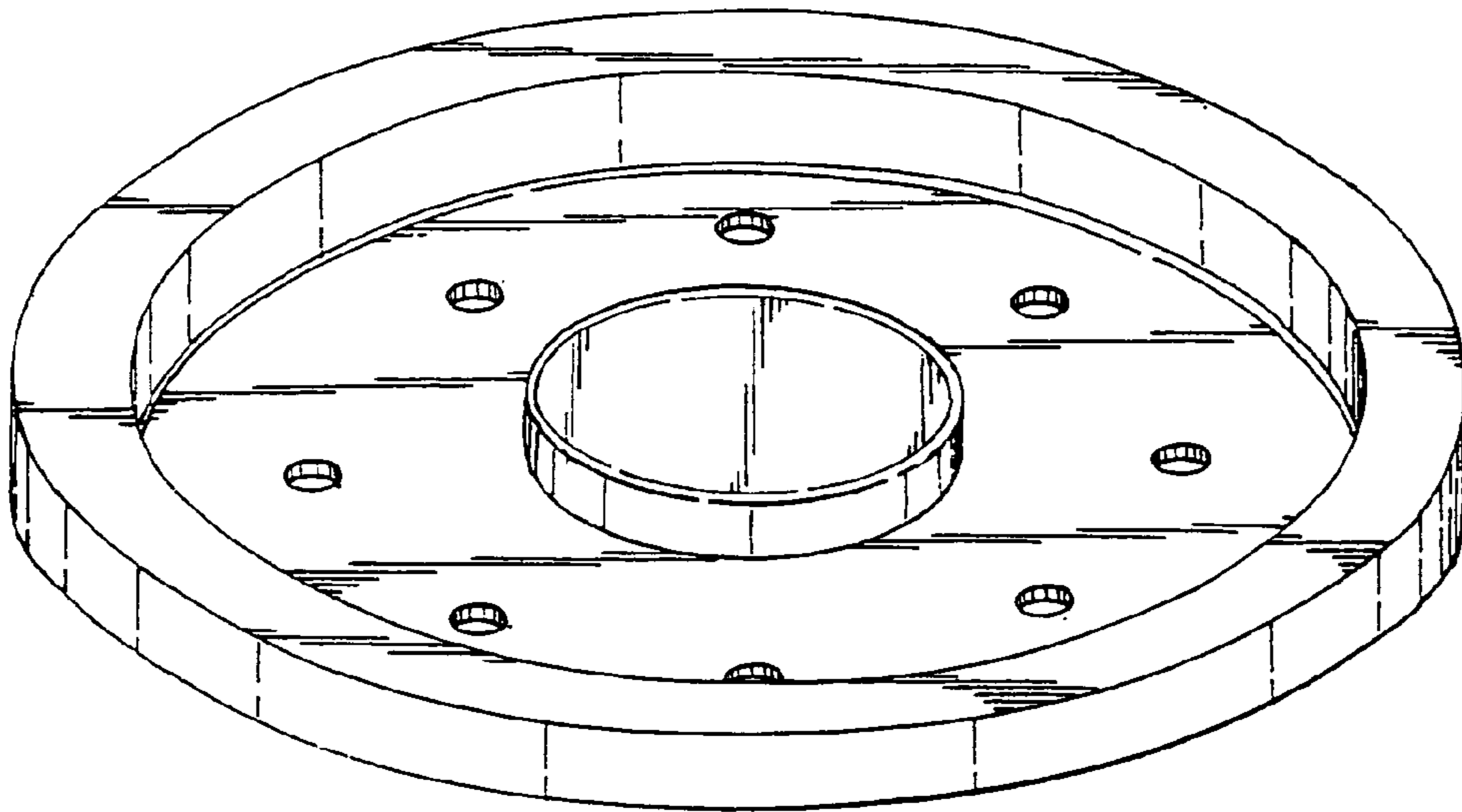


FIG. 9

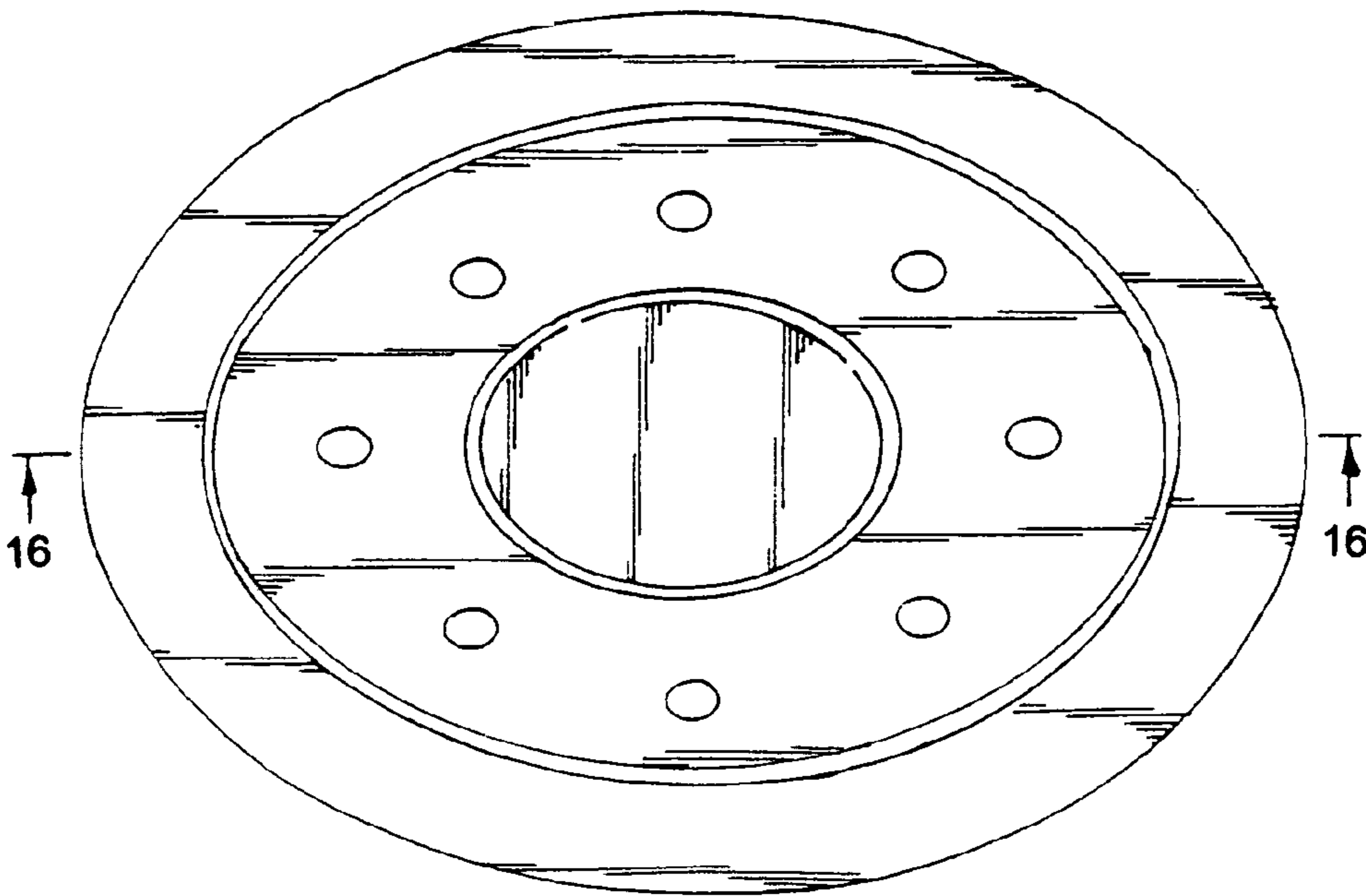


FIG. 10



FIG. 11

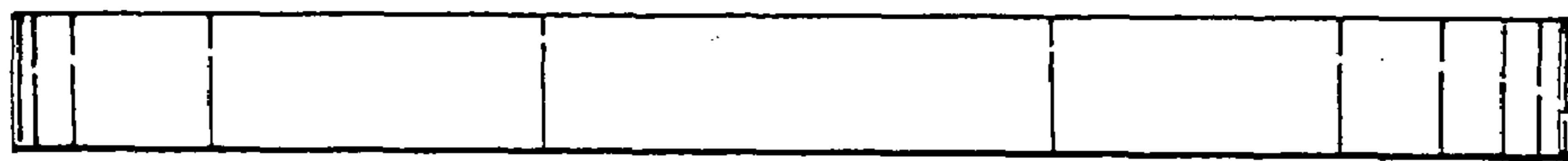


FIG. 12



FIG. 13

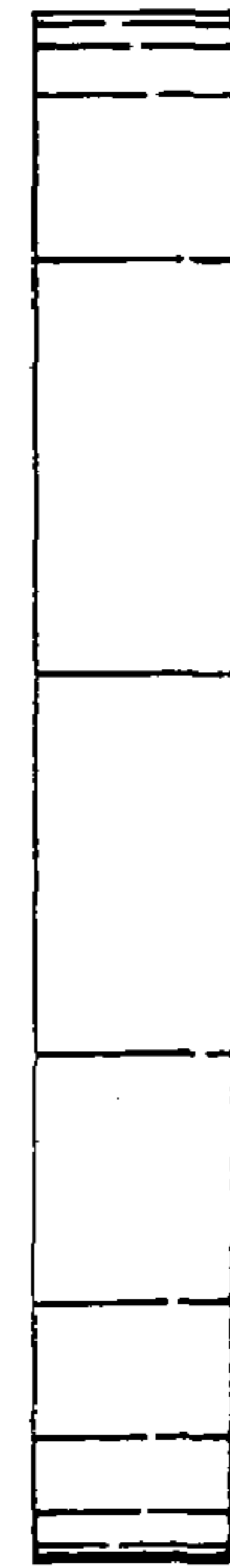


FIG. 14

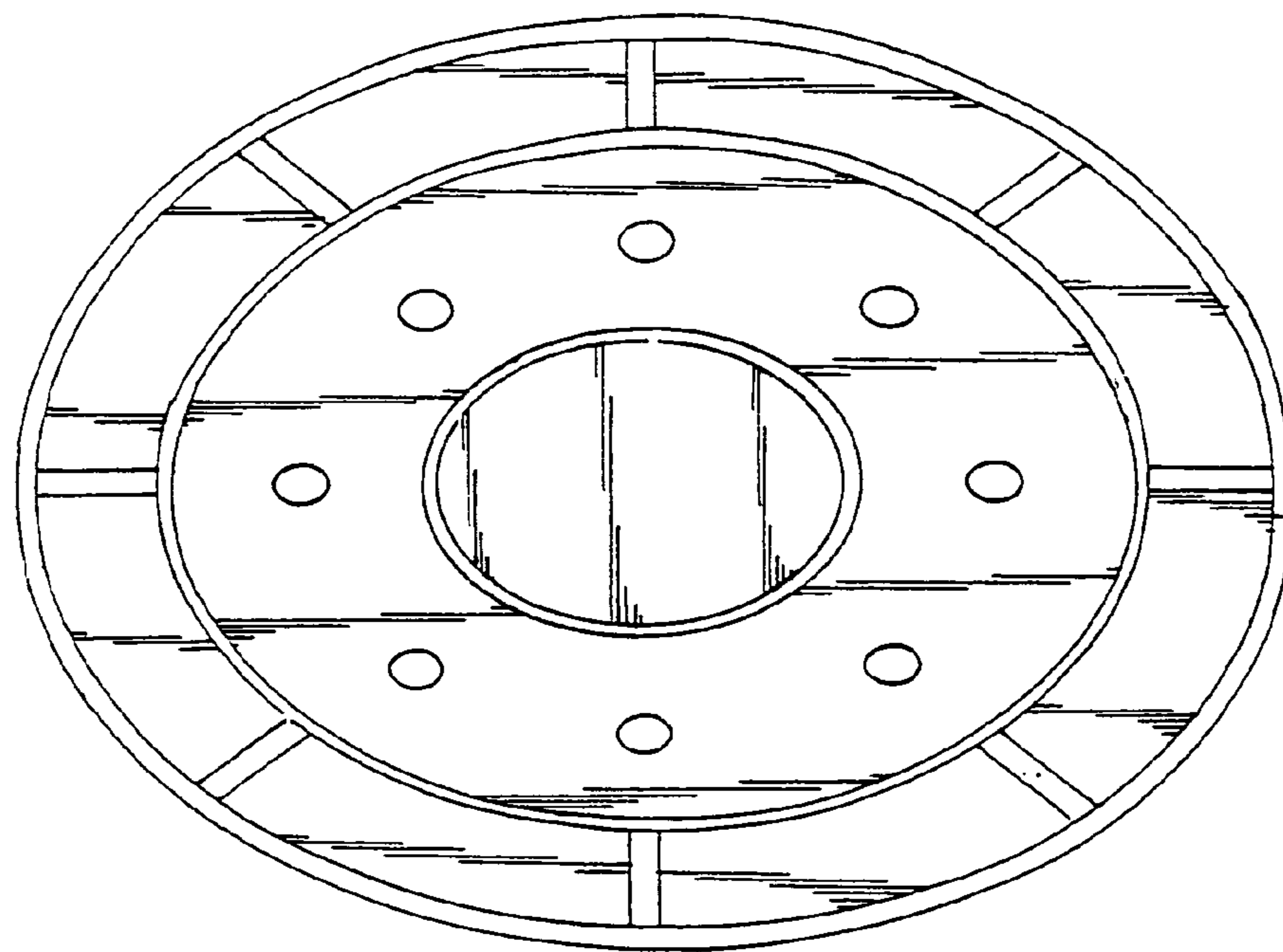


FIG. 15

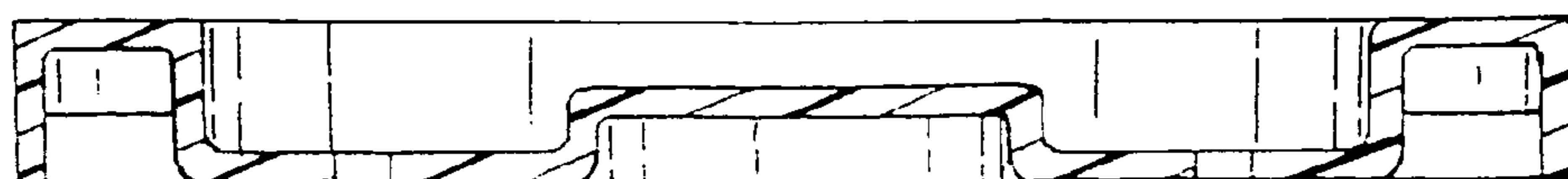


FIG. 16

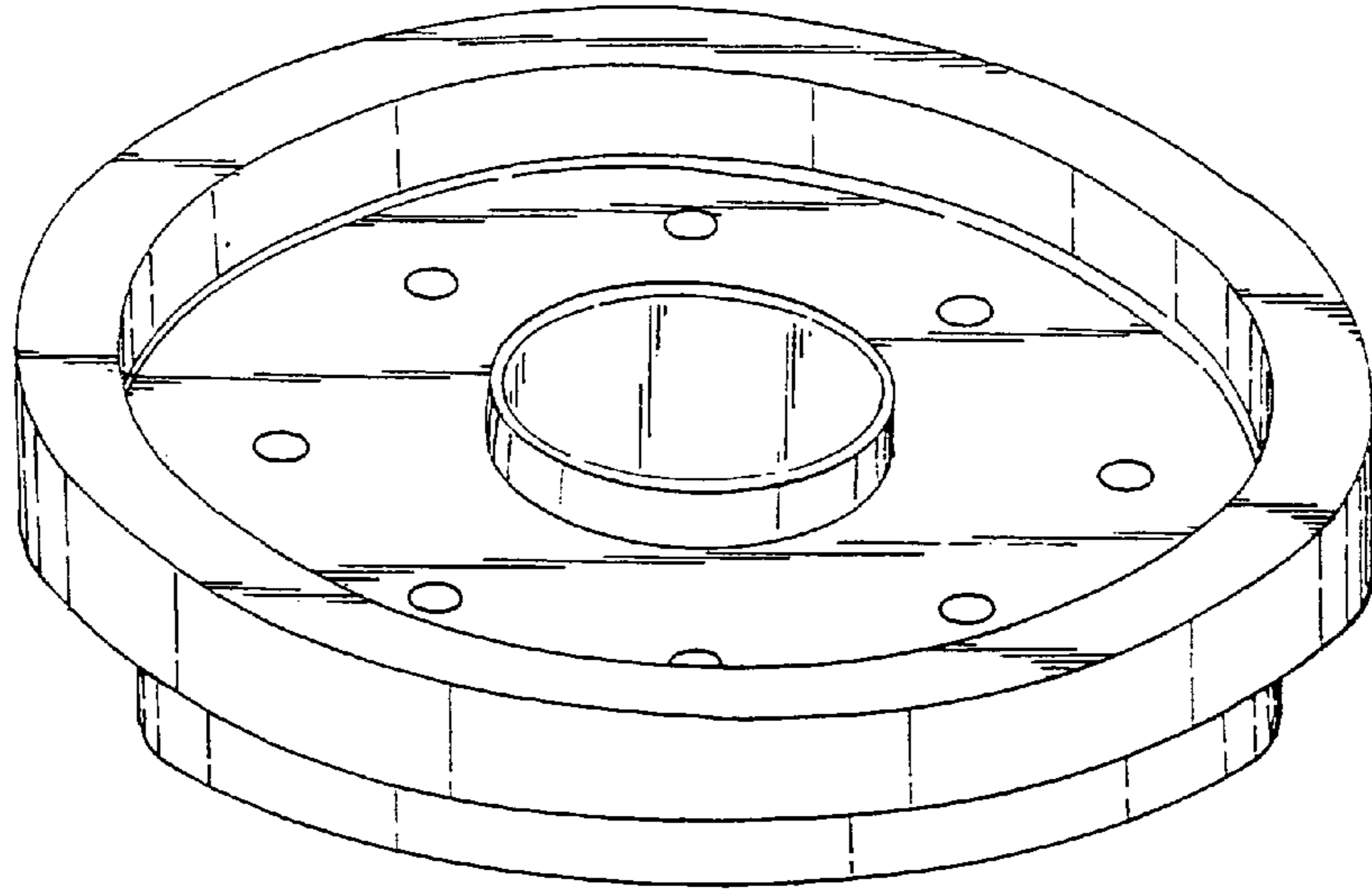


FIG. 17

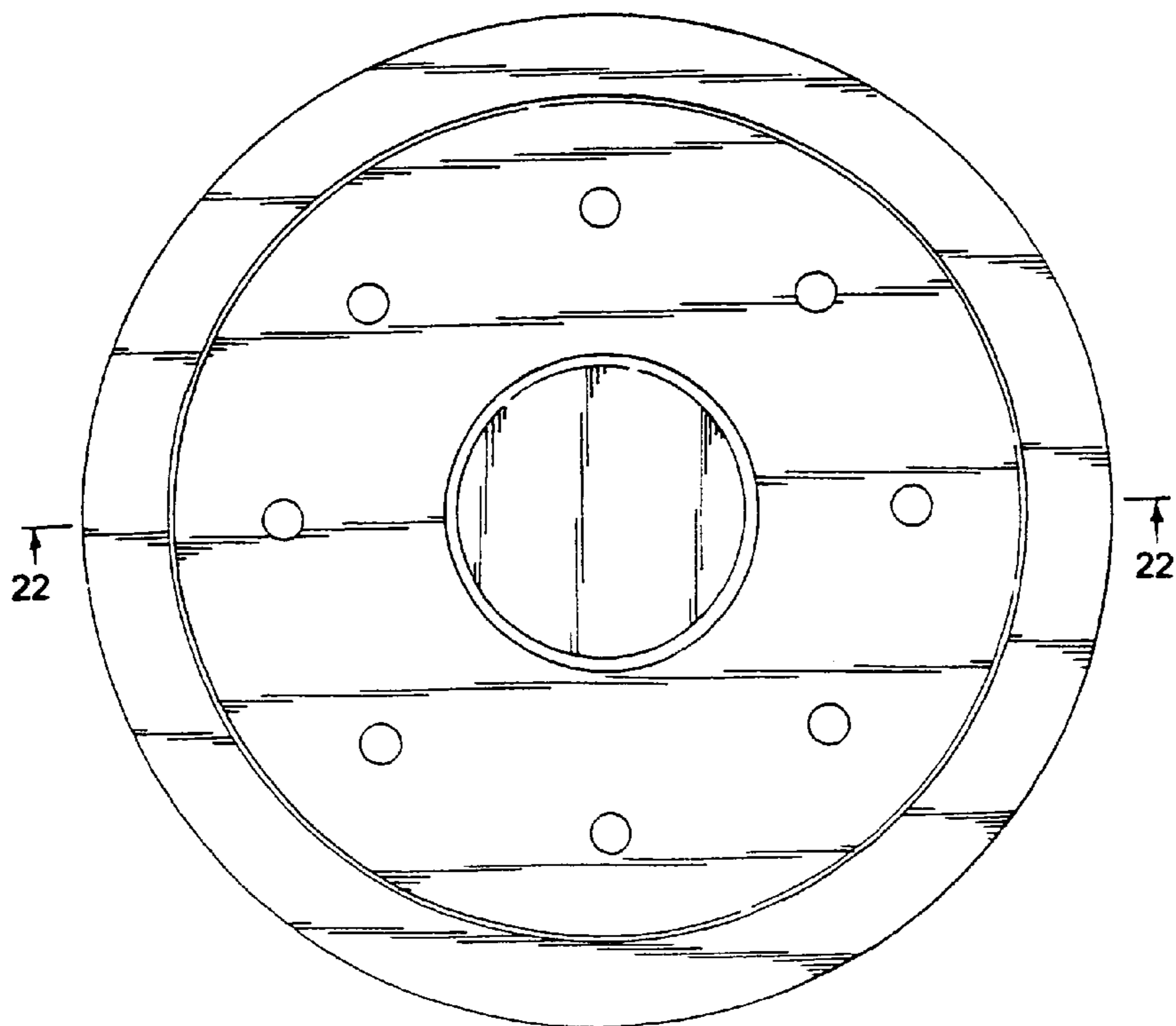


FIG. 18

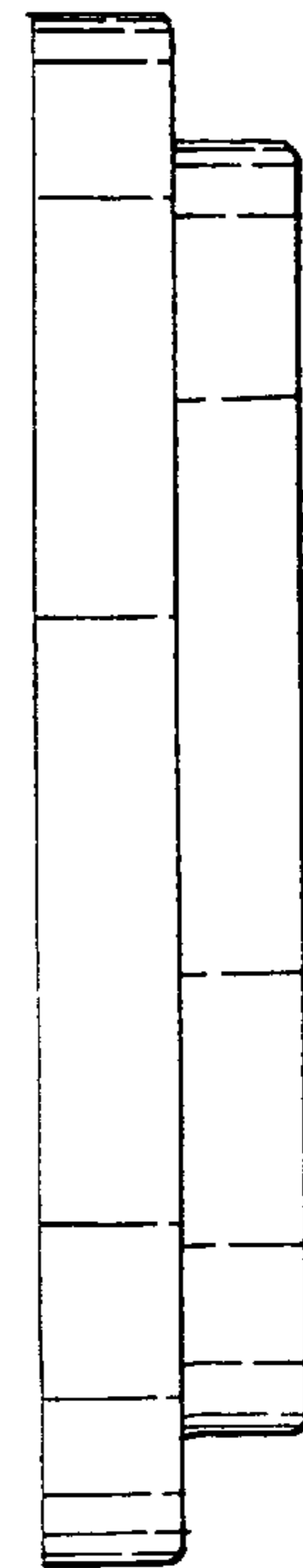


FIG. 19

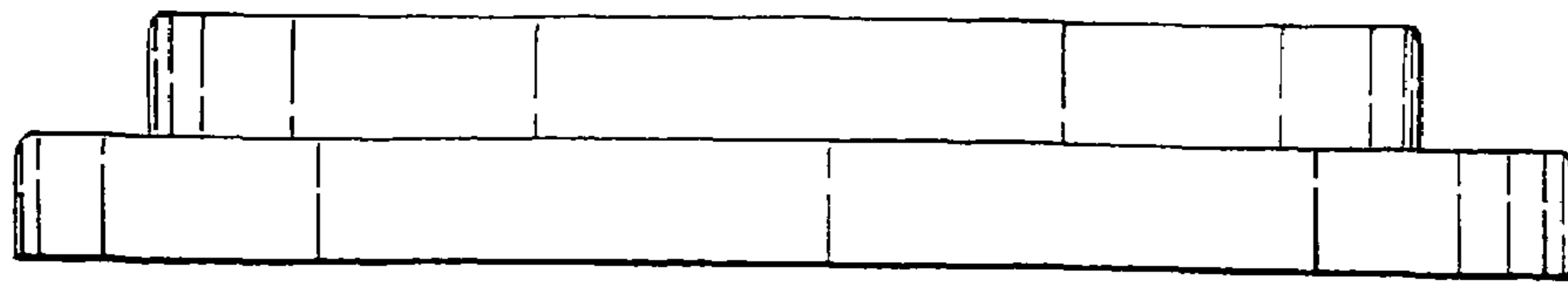


FIG. 20

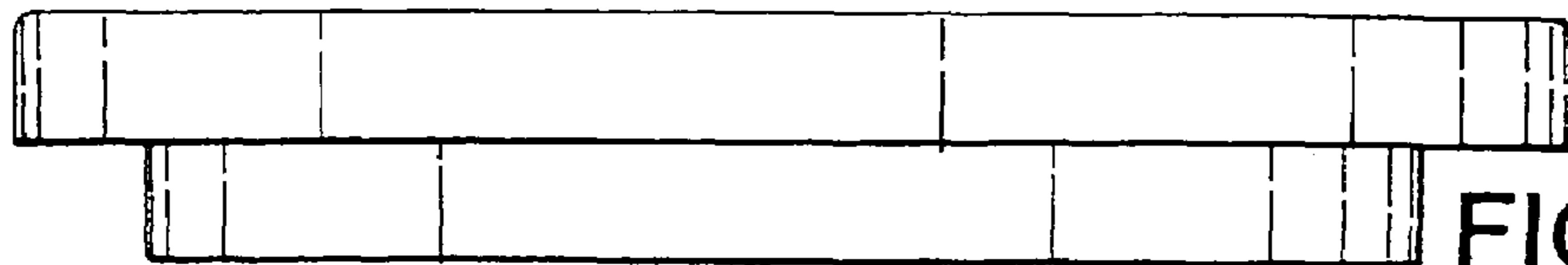


FIG. 21

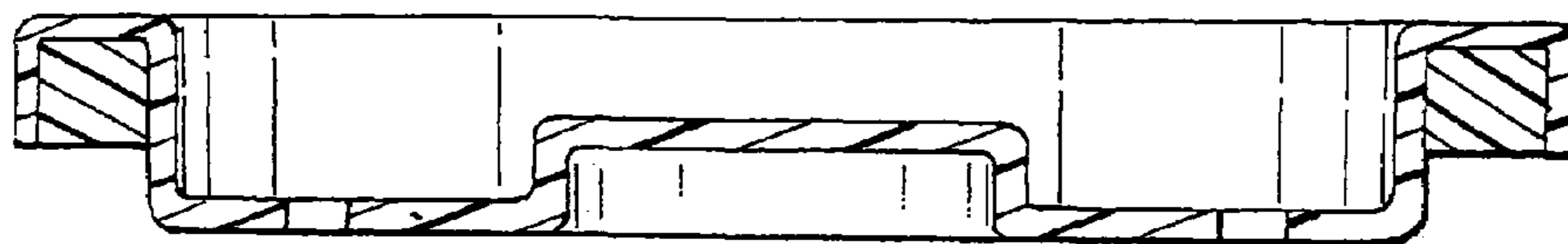


FIG. 22

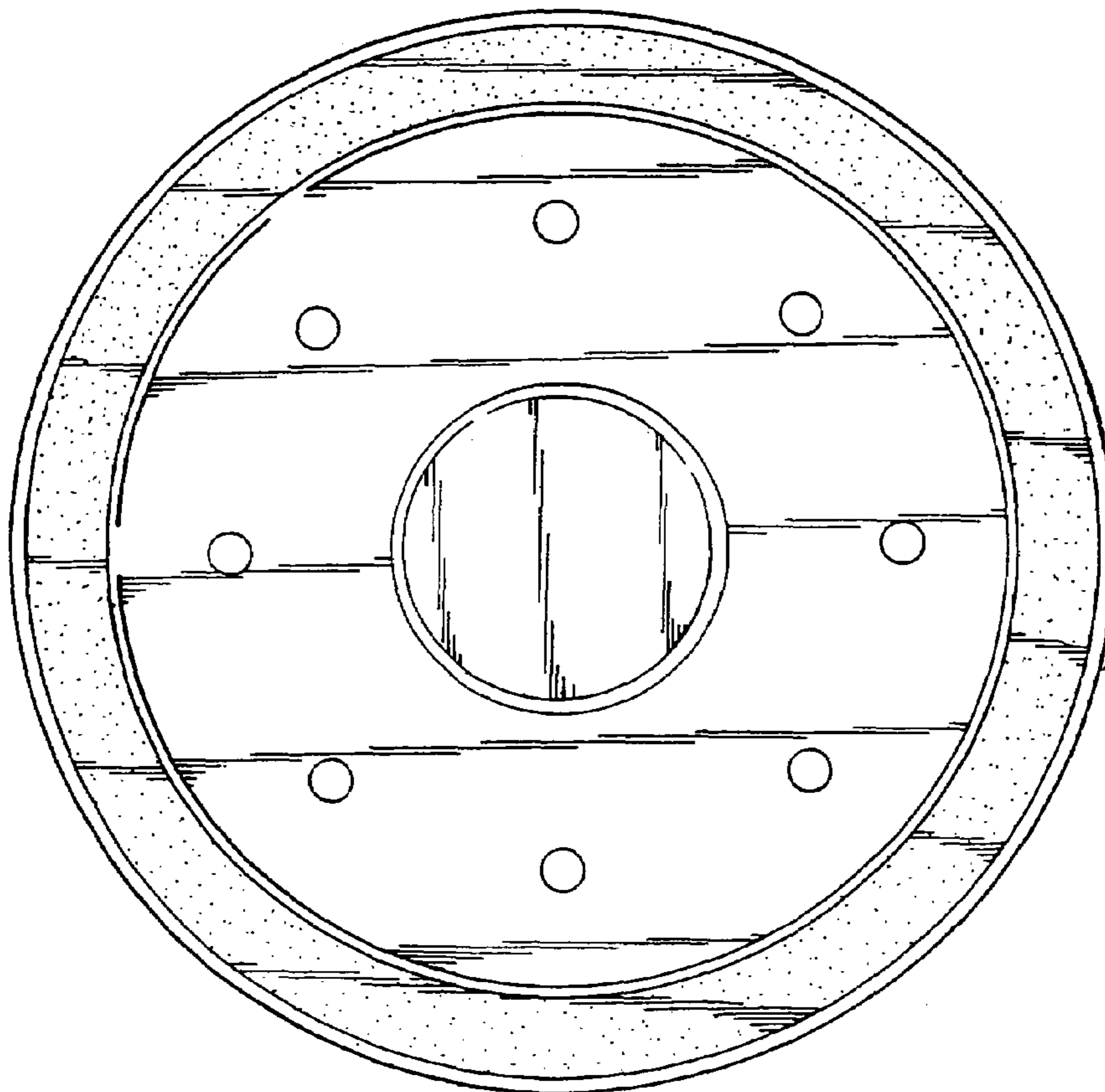


FIG. 23