



US00D597256S

(12) **United States Design Patent**
Liden

(10) **Patent No.:** **US D597,256 S**
(45) **Date of Patent:** **** Jul. 28, 2009**

(54) **COSMETIC PALETTE**

2003/0041871 A1* 3/2003 Endo et al. 132/301
2006/0027481 A1 2/2006 Gelardi et al.

(75) Inventor: **Johan Liden**, New York, NY (US)

FOREIGN PATENT DOCUMENTS

(73) Assignee: **Make-Up Art Cosmetics Inc.**, New York, NY (US)

DM	DM/041410	9/1997
EM	73945-2	9/2003
EM	73945-15	9/2003
JP	860877	2/1993
JP	974864	2/1997
JP	977053	3/1997
JP	977870	3/1997
JP	995919	11/1997
JP	996307	11/1997
JP	996307-1	11/1997
JP	1002217	2/1998
JP	1002218	2/1998
JP	1058569	1/2000
JP	1110648	6/2001
JP	1110649	6/2001
JP	1172175	4/2003
JP	1236477	4/2005
JP	1250708	9/2005
JP	1251011	9/2005
JP	1296587	3/2007
JP	1308509	8/2007
JP	1308576	8/2007
JP	1308619	8/2007
KR	30-0241579	7/1999
KR	30-0254410	3/2000
KR	30-0261497	8/2000
KR	30-0261497-01	8/2000
KR	30-0262815	9/2000
KR	30-0254410-01	4/2001
KR	30-0274037	4/2001
KR	30-0280899-1	10/2001
KR	30-0283483	11/2001
KR	30-0286167	12/2001
KR	30-0286562	12/2001
KR	30-0289424	1/2002
KR	30-0291609	2/2002
KR	30-0291609-1	2/2002
KR	30-0289424-1	3/2002
KR	30-0293732	3/2002
KR	30-0293733	3/2002
KR	30-0296253	4/2002
KR	30-0296255	4/2002
KR	30-0299756	6/2002
KR	30-0305405	8/2002

(**) Term: **14 Years**

(21) Appl. No.: **29/319,442**

(22) Filed: **Jun. 10, 2008**

(51) **LOC (9) Cl.** **28-03**

(52) **U.S. Cl.** **D28/83**

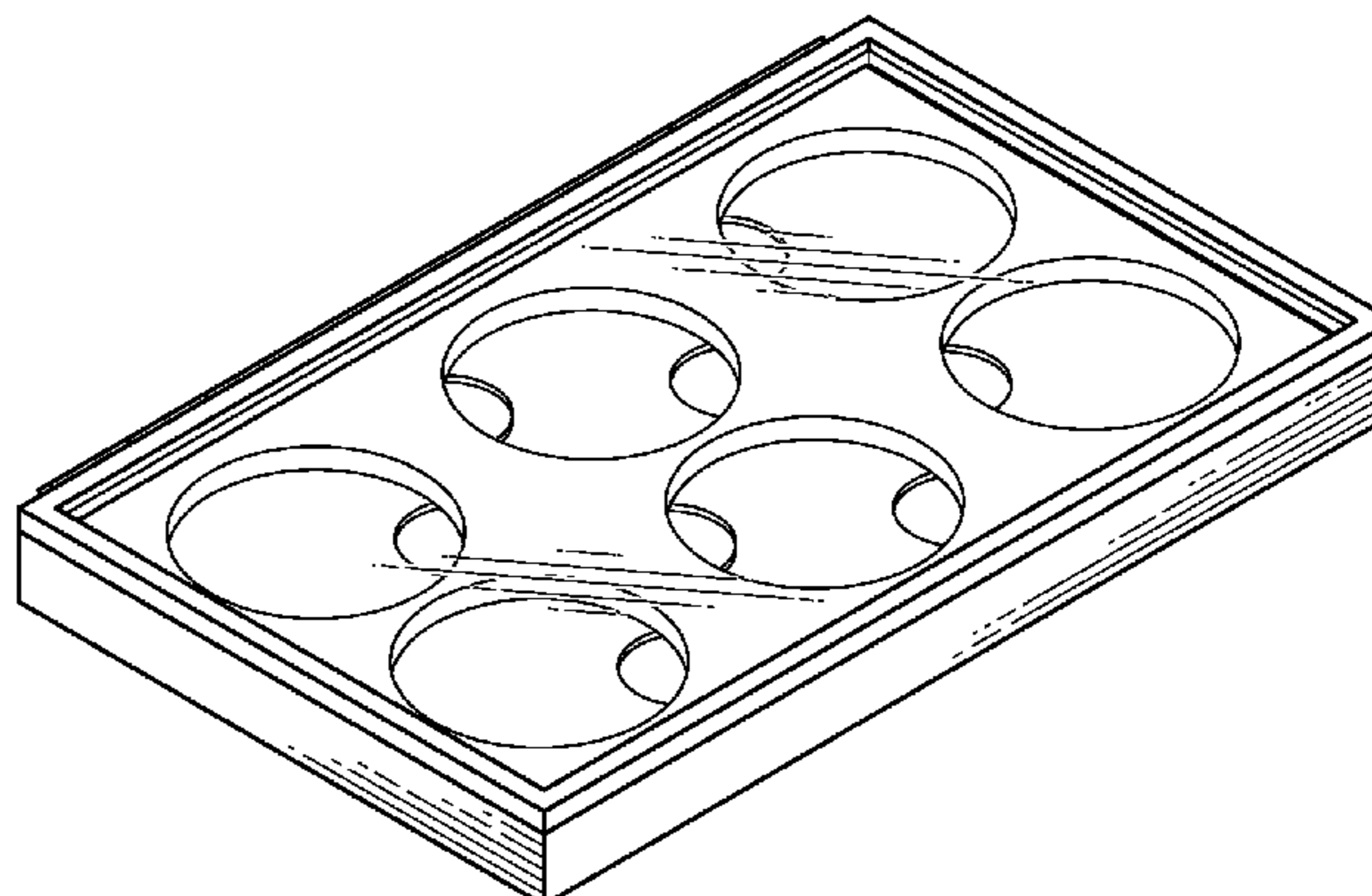
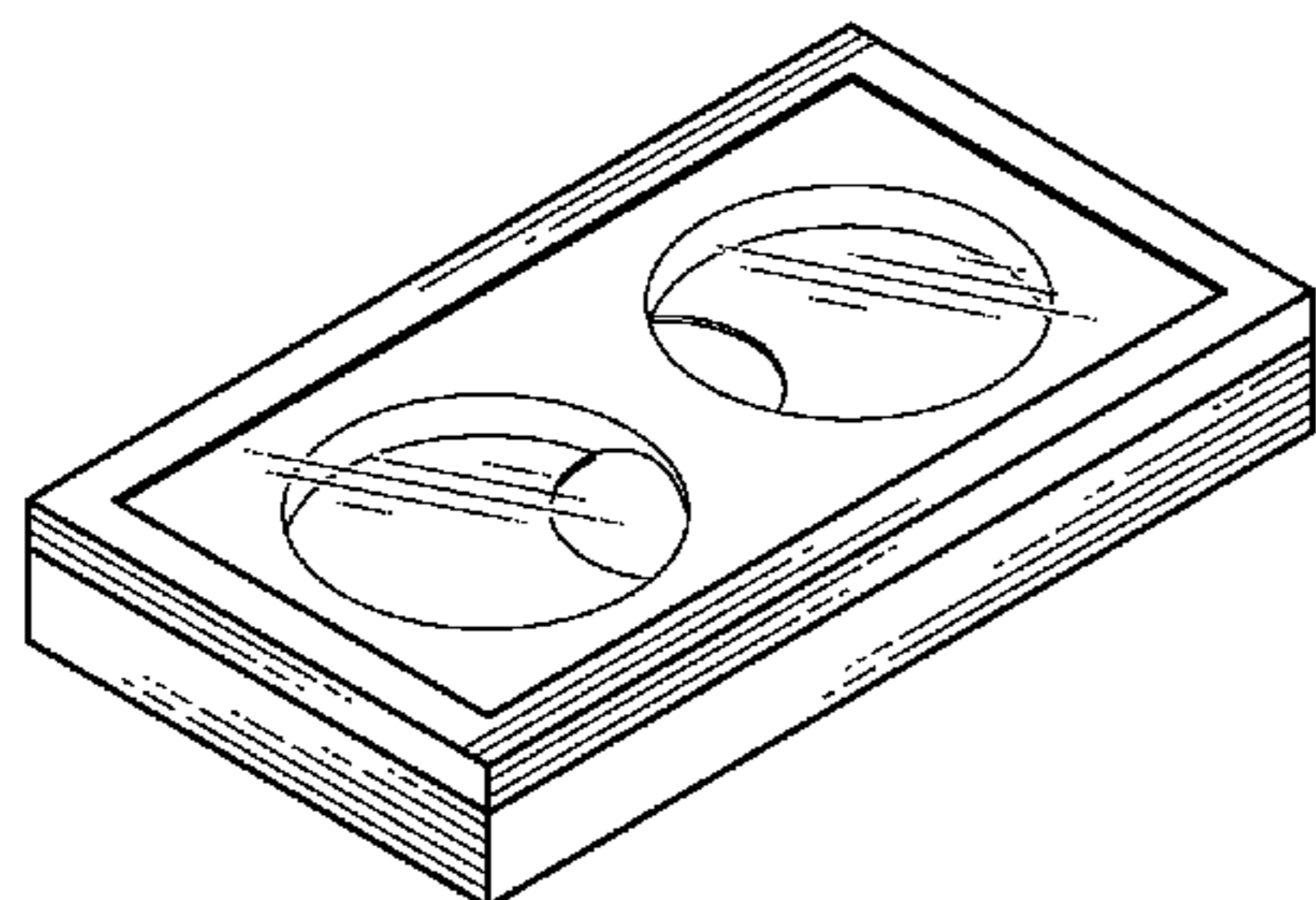
(58) **Field of Classification Search** D28/76-84,
D28/64.3; D9/432; 132/286-319; 206/385,
206/581, 823

See application file for complete search history.

(56) **References Cited**

U.S. PATENT DOCUMENTS

1,682,534 A	8/1928	Martinat	
D119,798 S	4/1940	Zell	
2,628,625 A	2/1953	Pike	
D279,688 S *	7/1985	Kitai et al.	D28/83
D409,801 S	5/1999	Kim	
D428,208 S	7/2000	Nodarse	
D431,880 S *	10/2000	Finocchiaro et al.	D28/76
D465,305 S *	11/2002	Thorpe et al.	D28/83
D468,867 S	1/2003	Thorpe et al.	
D468,868 S	1/2003	Thorpe et al.	
D469,222 S	1/2003	Thorpe et al.	
D469,223 S	1/2003	Thorpe et al.	
D469,578 S	1/2003	Thorpe et al.	
D471,322 S	3/2003	Lai	
D474,861 S *	5/2003	Rodriguez et al.	D28/82
D477,895 S	7/2003	Goswell	
D479,630 S	9/2003	Lai	
D480,837 S	10/2003	Liu	
D485,018 S *	1/2004	Beilman	D28/77
D518,240 S *	3/2006	Bossomo et al.	D28/79
D530,860 S *	10/2006	Funkhouser et al.	D28/82
D535,442 S	1/2007	Ditrichstein	
D554,805 S *	11/2007	Moon et al.	D28/84
D564,707 S *	3/2008	Barresi	D28/83



KR	30-0306838	9/2002
KR	30-0337846	11/2003
KR	30-0378471	4/2005
KR	30-0401211	12/2005
WO	DM/002986	10/1983
WO	DM/010677	4/1988
WO	DM/010678	4/1988
WO	DM/012940	2/1989
WO	DM/016466	4/1990
WO	DM/023414	7/1992
WO	DM/055672	5/2001

* cited by examiner

Primary Examiner—Jennifer Rivard
(74) Attorney, Agent, or Firm—Cynthia R. Miller

(57) **CLAIM**

What is claimed is the ornamental design for a cosmetic palette, substantially as shown and described.

DESCRIPTION

FIG. 1 is a top, front and left side perspective view of a first embodiment of my new design for a cosmetic palette;

FIG. 2 is a top plan view of the cosmetic palette shown in FIG. 1;

FIG. 3 is a bottom plan view of the cosmetic palette shown in FIG. 1;

FIG. 4 is a front elevation view of the cosmetic palette shown in FIG. 1;

FIG. 5 is a right side elevation view of the cosmetic palette shown in FIG. 1; the left side elevation view being a mirror image thereof;

FIG. 6 is a rear elevation view of the cosmetic palette shown in FIG. 1;

FIG. 7 is a top, front and left side perspective view of a second embodiment of my new design for a cosmetic palette;

FIG. 8 is a top plan view of the cosmetic palette shown in FIG. 7;

FIG. 9 is a bottom plan view of the cosmetic palette shown in FIG. 7

FIG. 10 is a front elevation view of the cosmetic palette shown in FIG. 7;

FIG. 11 is a right side elevation view of the cosmetic palette shown in FIG. 7; the left side elevation view being a mirror image thereof;

FIG. 12 is a rear elevation view of the cosmetic palette shown in FIG. 7;

FIG. 13 is a top, front and left side perspective view of a third embodiment of my new design for a cosmetic palette, shown in the open position;

FIG. 14 is another view of the cosmetic palette shown in FIG. 13;

FIG. 15 is a top, front and left side perspective view of the cosmetic palette shown in FIG. 13, shown in the closed position;

FIG. 16 is a top plan view of the cosmetic palette shown in FIG. 15;

FIG. 17 is a bottom plan view of the cosmetic palette shown in FIG. 15;

FIG. 18 is a front elevation view of the cosmetic palette shown in FIG. 15;

FIG. 19 is a rear elevation view of the cosmetic palette shown in FIG. 15;

FIG. 20 is a right side elevation view of the cosmetic palette shown in FIG. 15; the left side elevation view being a mirror image thereof;

FIG. 21 is a top, front and left side perspective view of a fourth embodiment of my new design for a cosmetic palette, shown in the open position;

FIG. 22 is another view of the cosmetic palette shown in FIG. 21;

FIG. 23 is a top, front and left side perspective view of the cosmetic palette shown in FIG. 21, shown in the closed position;

FIG. 24 is a top plan view of the cosmetic palette shown in FIG. 23;

FIG. 25 is a bottom plan view of the cosmetic palette shown in FIG. 23;

FIG. 26 is a front elevation view of the cosmetic palette shown in FIG. 23;

FIG. 27 is a rear elevation view of the cosmetic palette shown in FIG. 23; and,

FIG. 28 is a right side elevation view of the cosmetic palette shown in FIG. 23; the left side elevation view being a mirror image thereof.

1 Claim, 8 Drawing Sheets

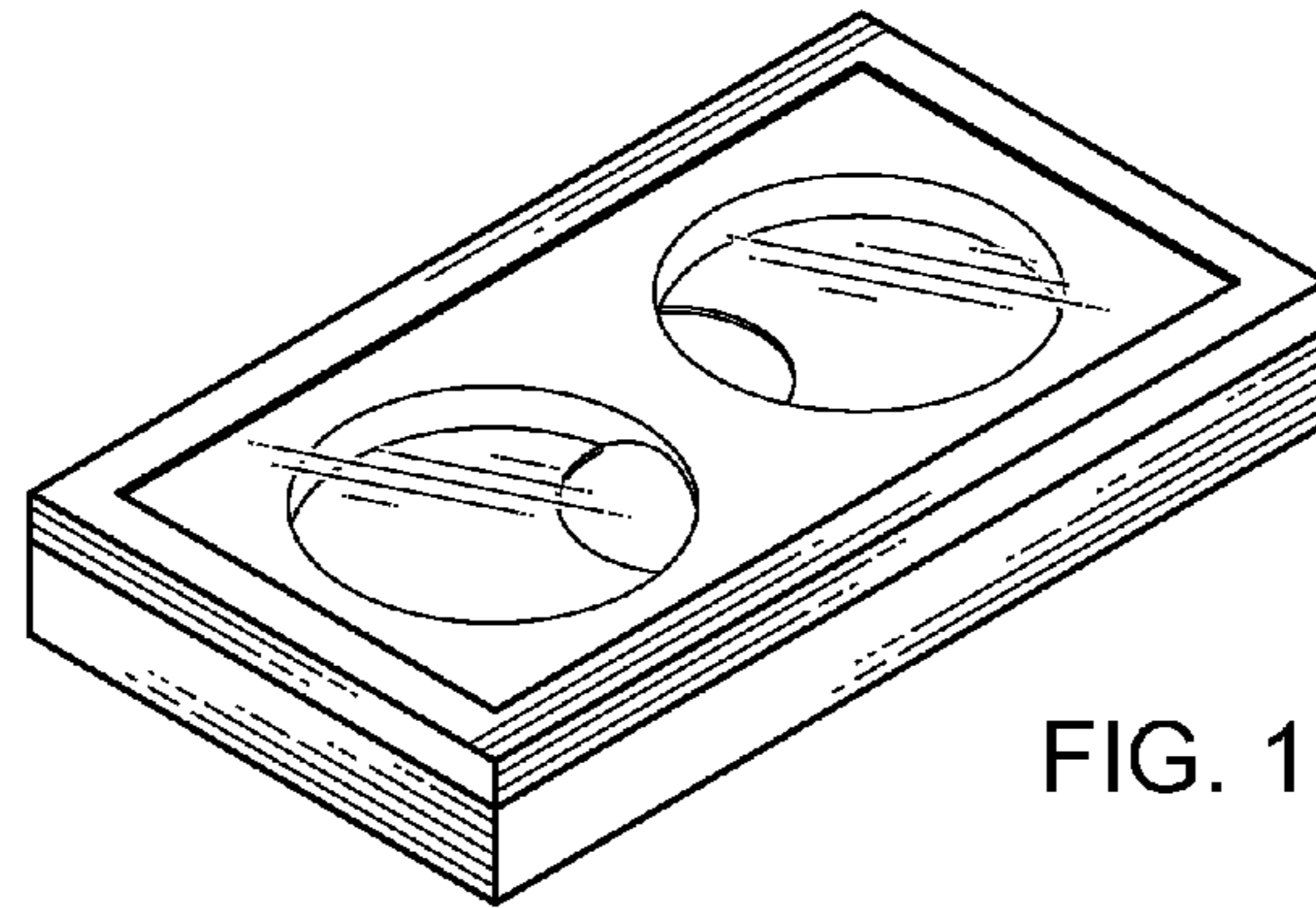


FIG. 1

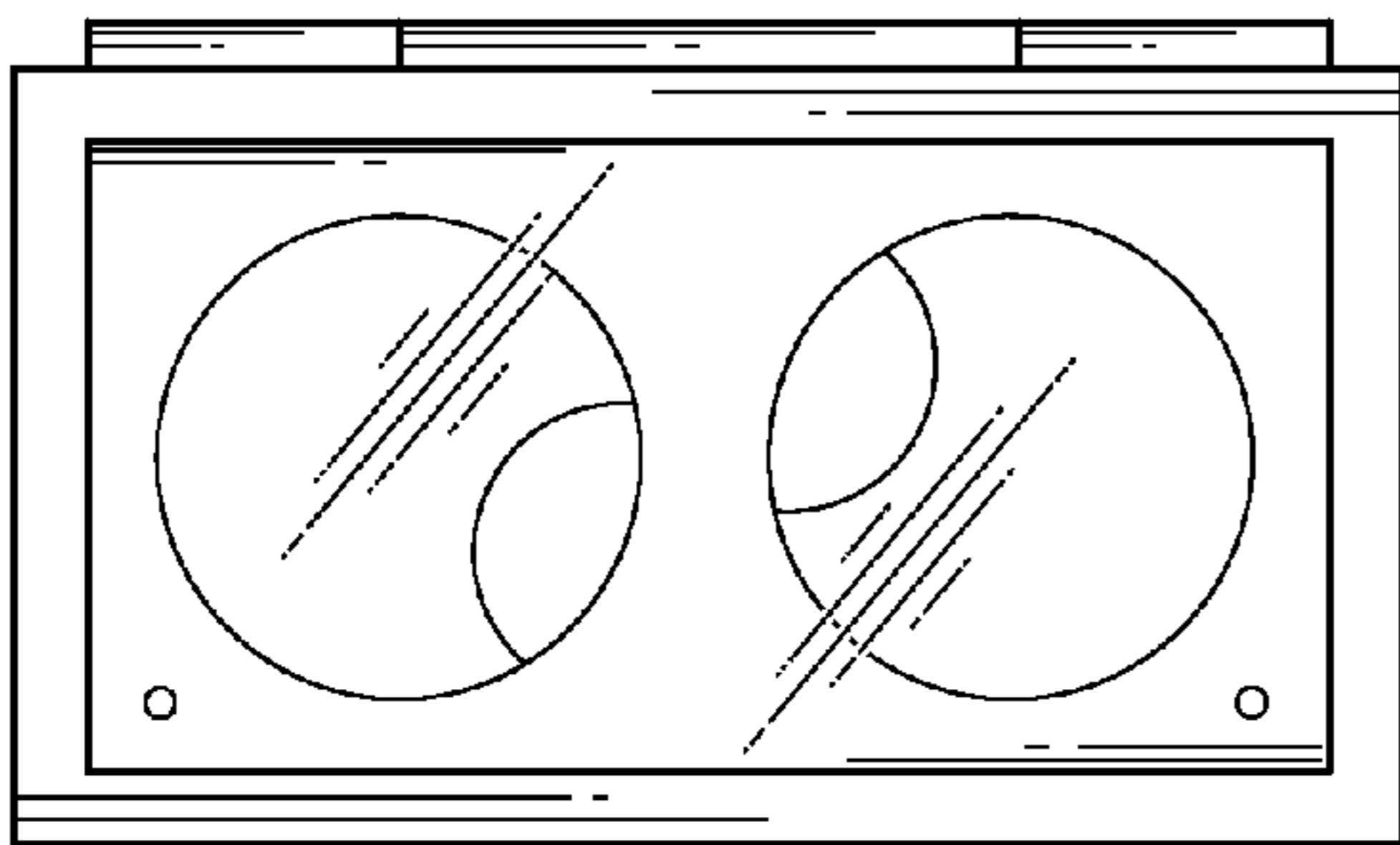


FIG. 2

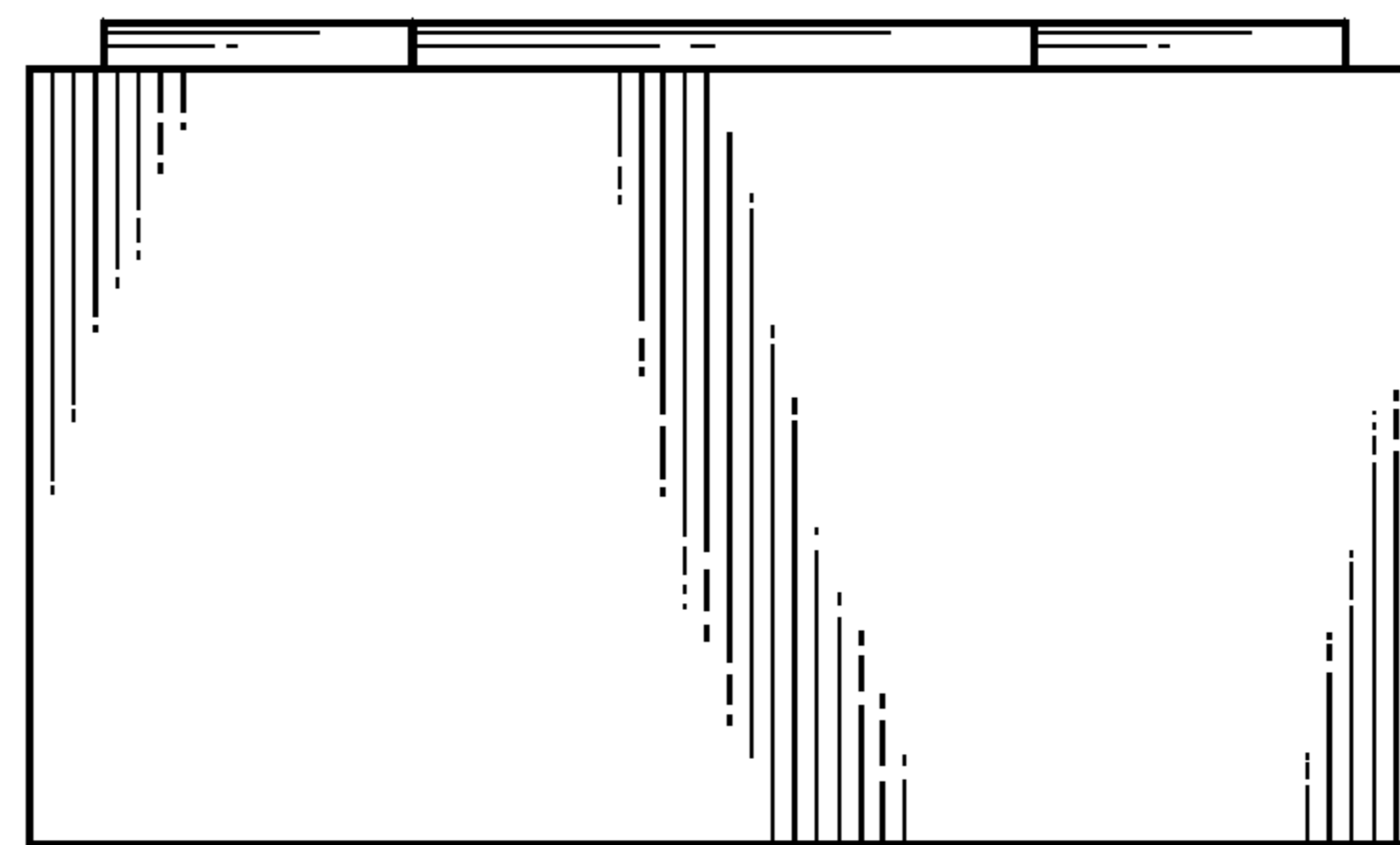


FIG. 3

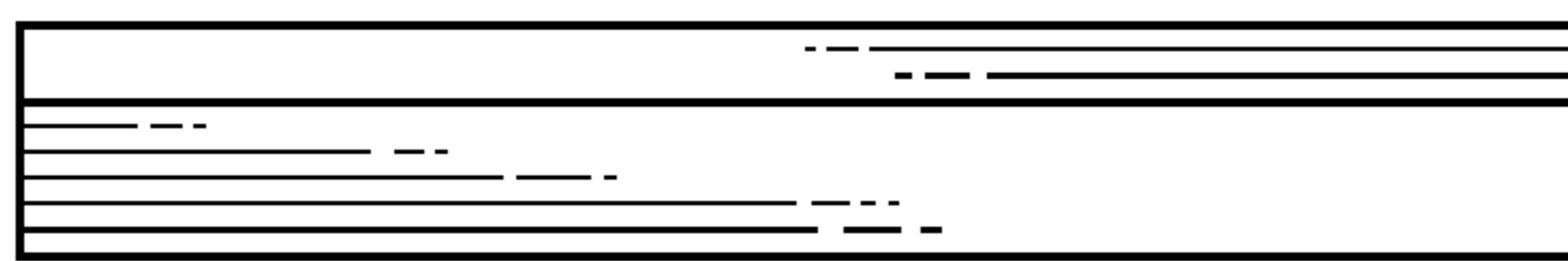


FIG. 4

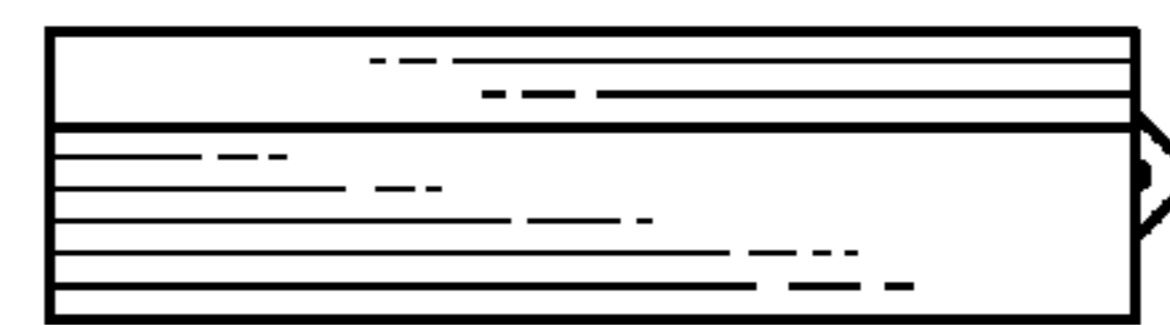


FIG. 5

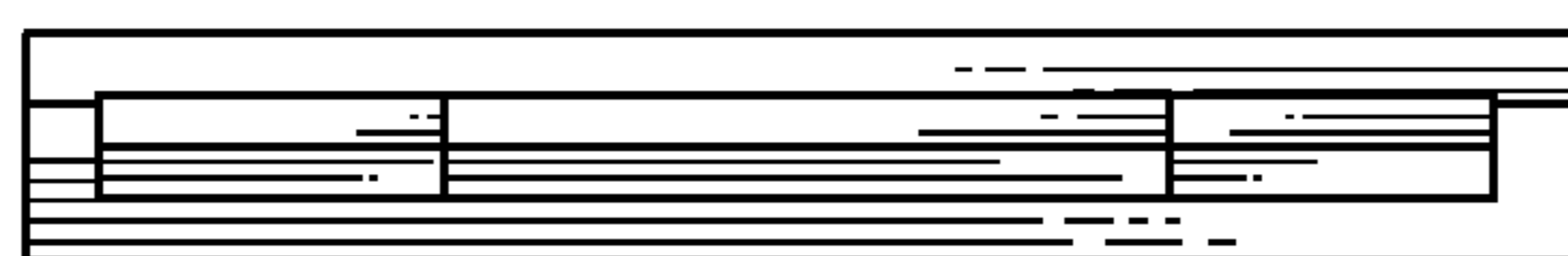


FIG. 6

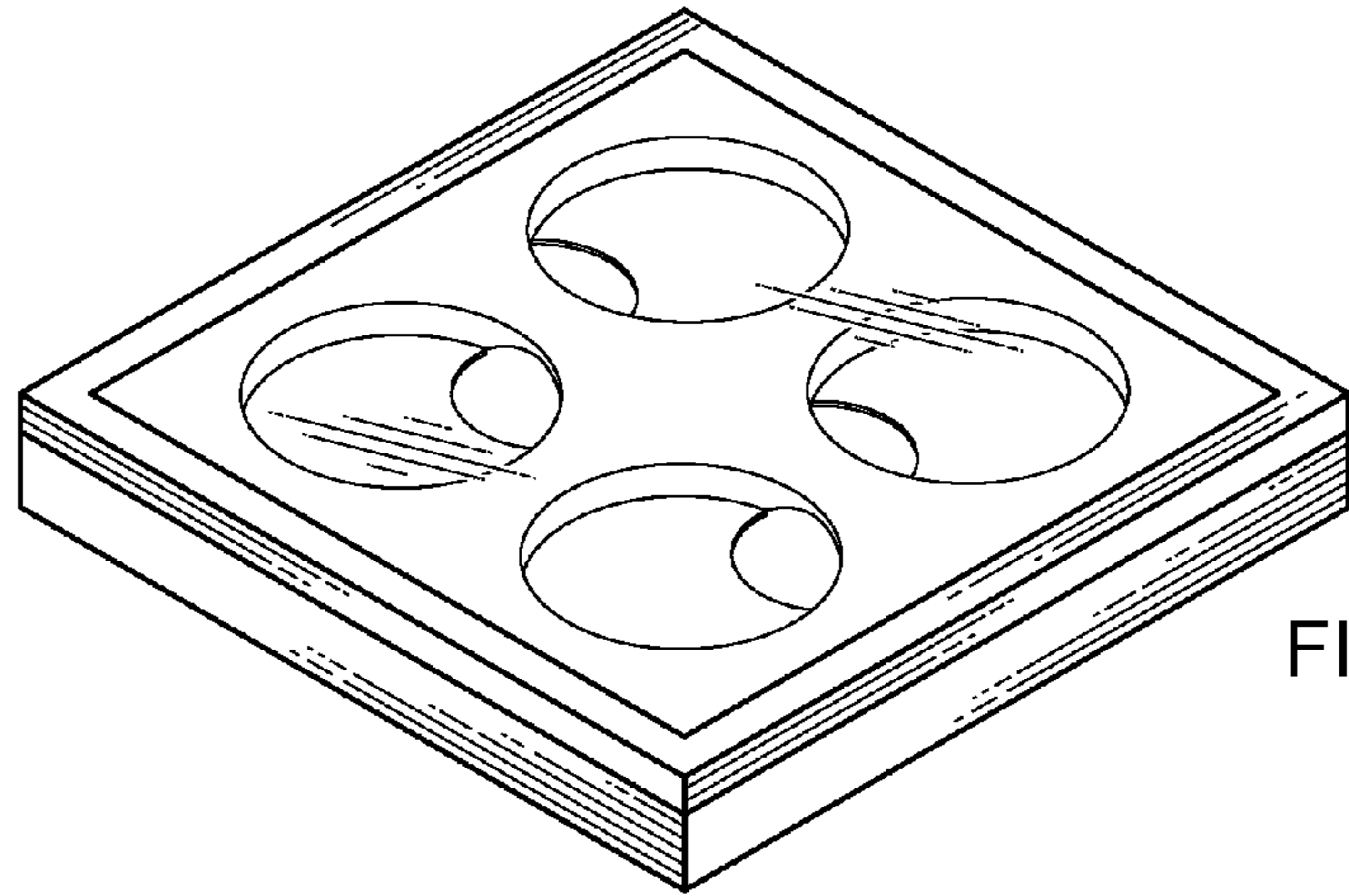


FIG. 7

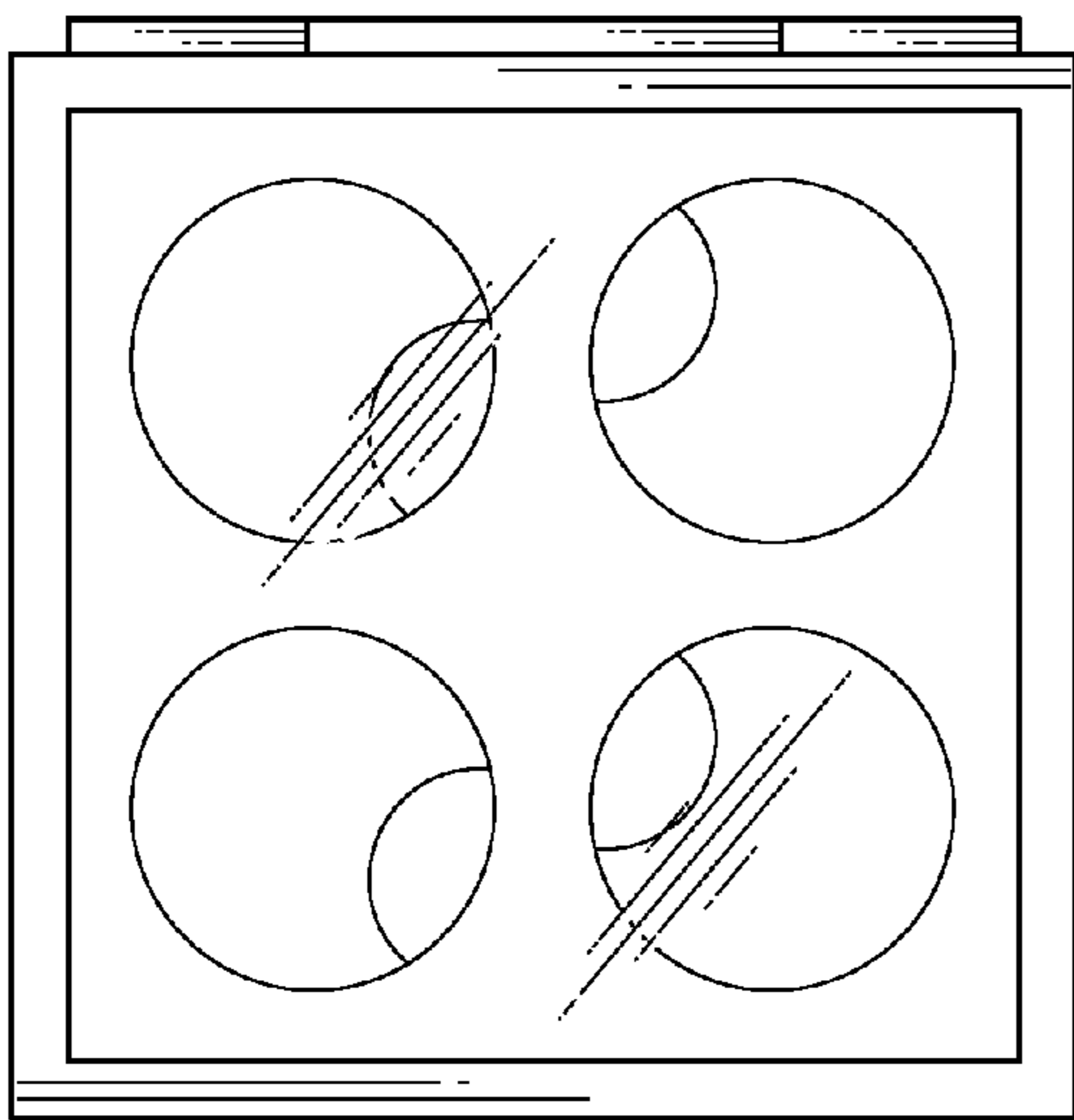


FIG. 8

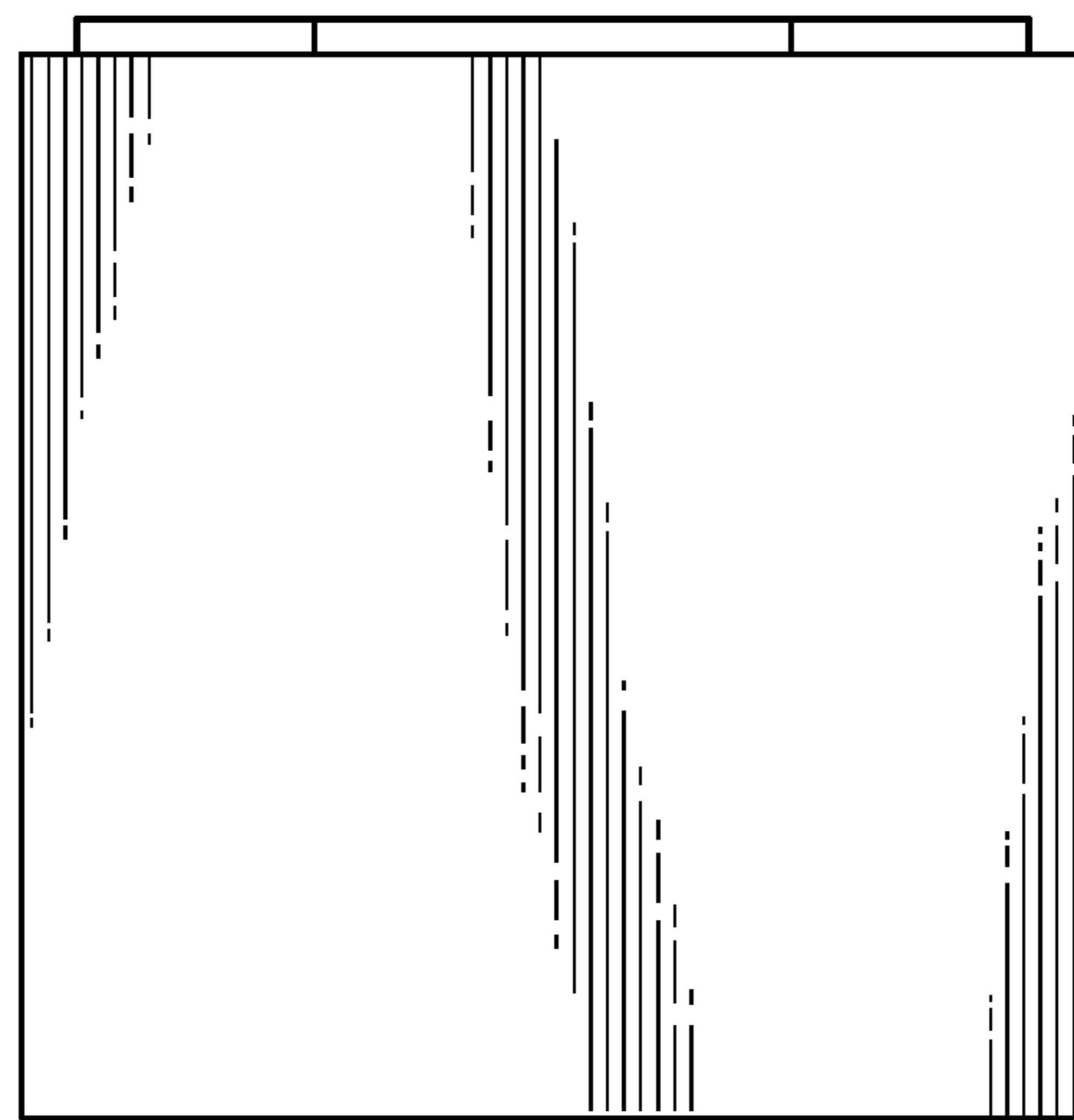


FIG. 9

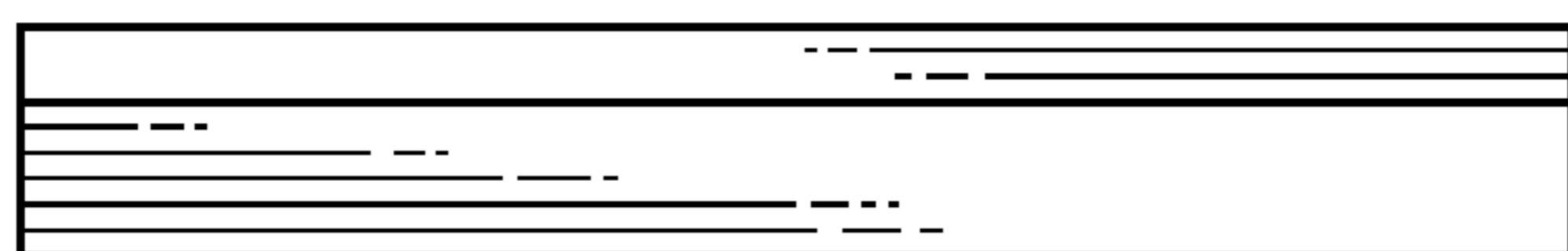


FIG. 10

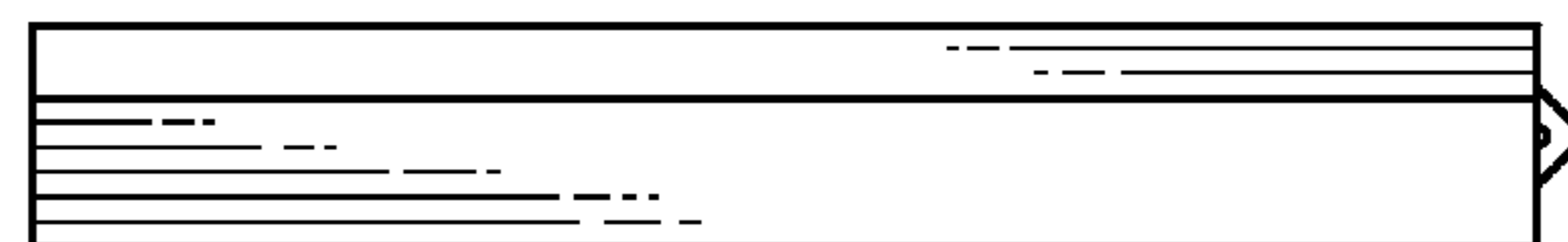


FIG. 11

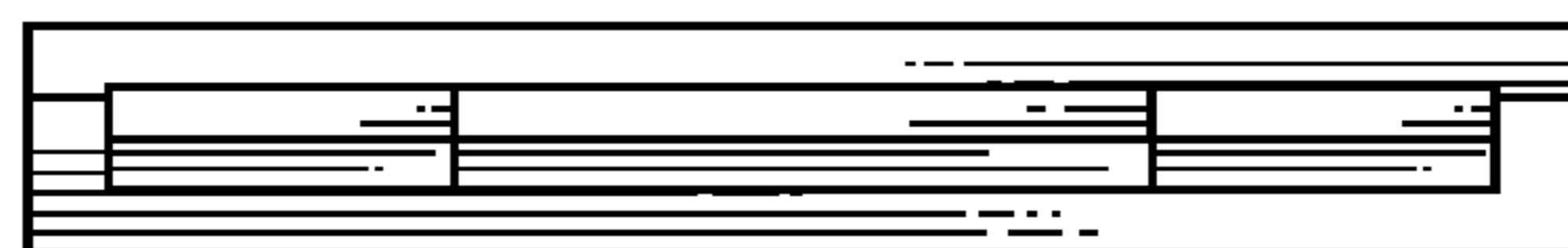


FIG. 12

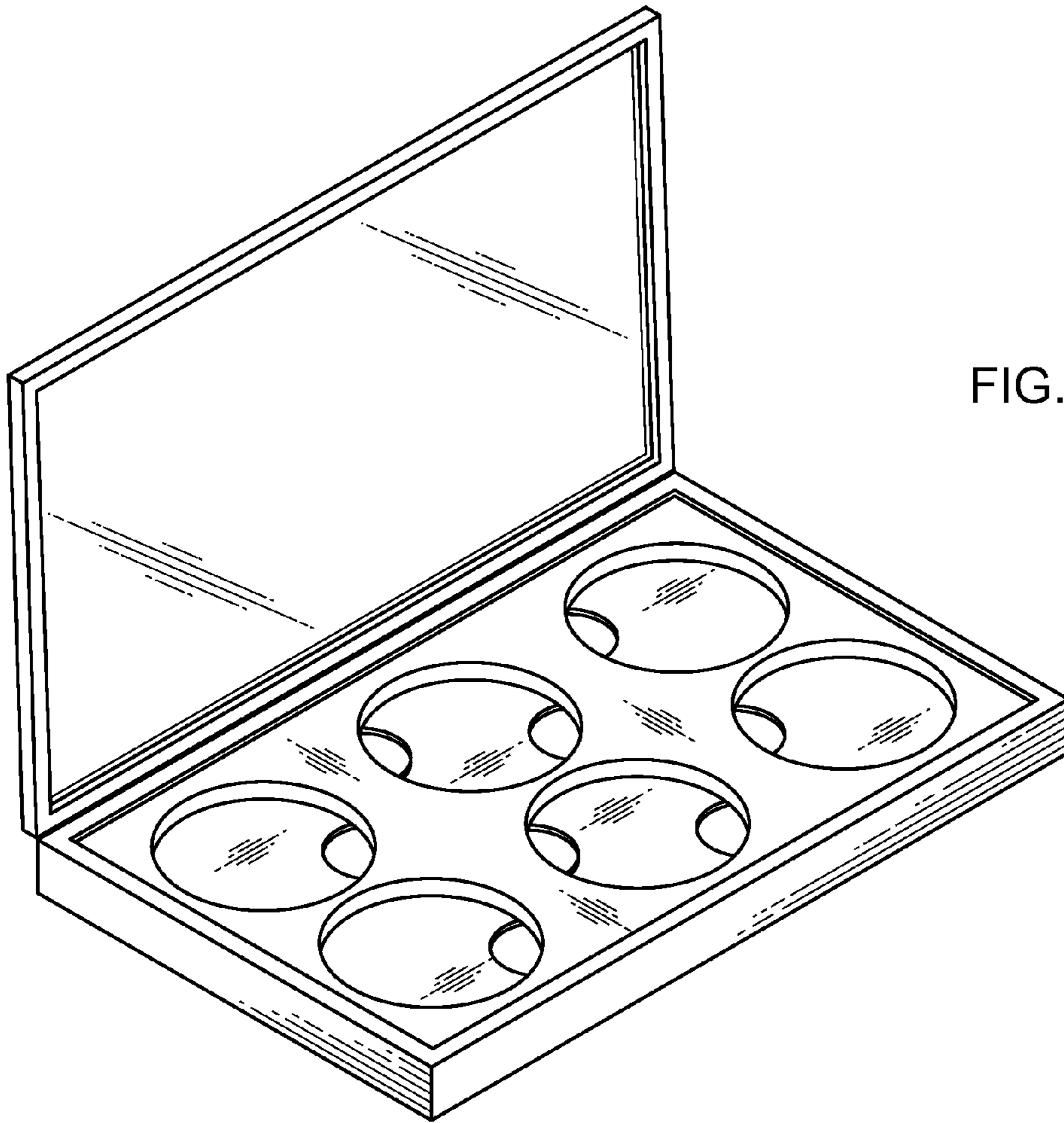


FIG. 13

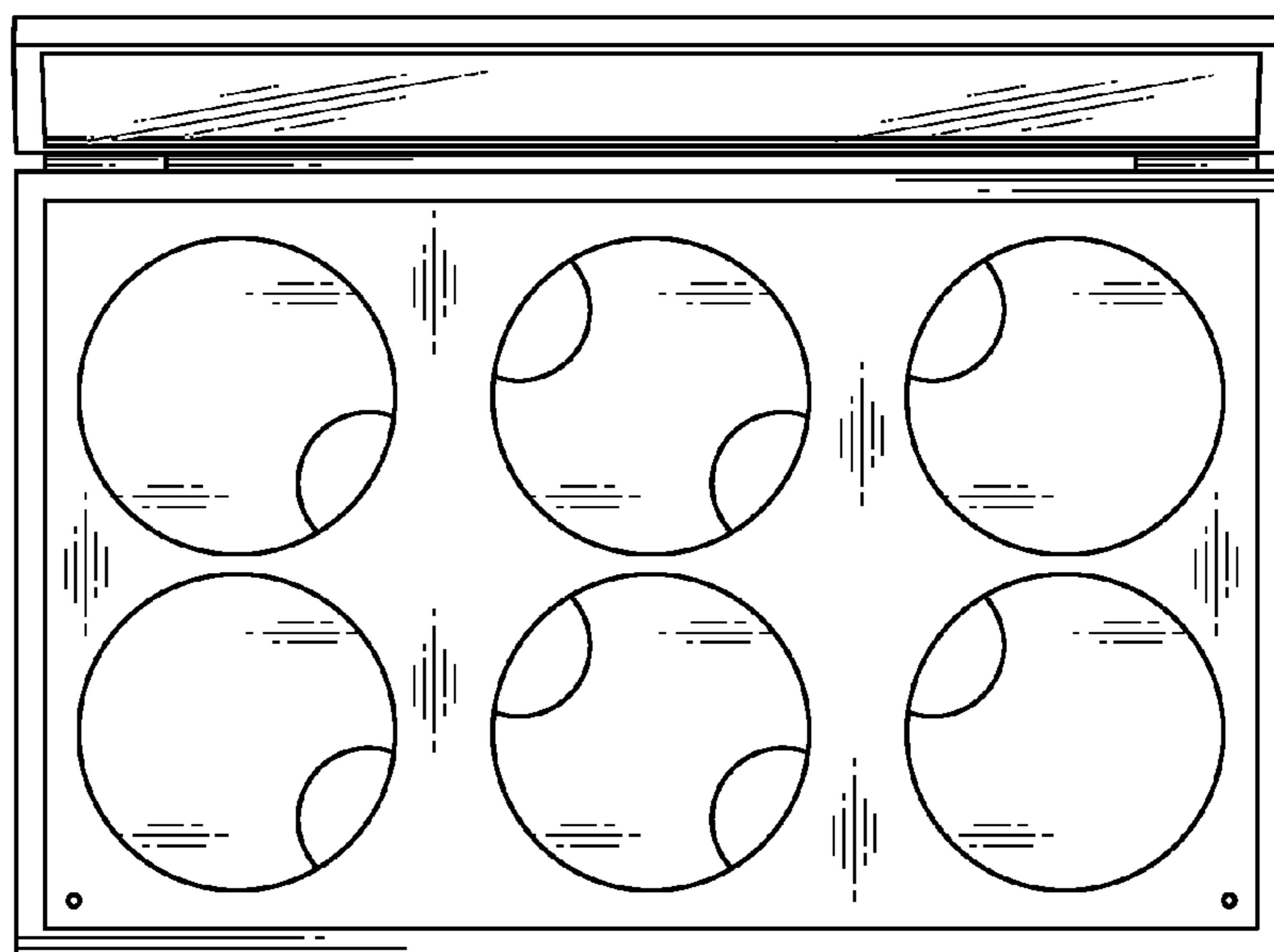


FIG. 14

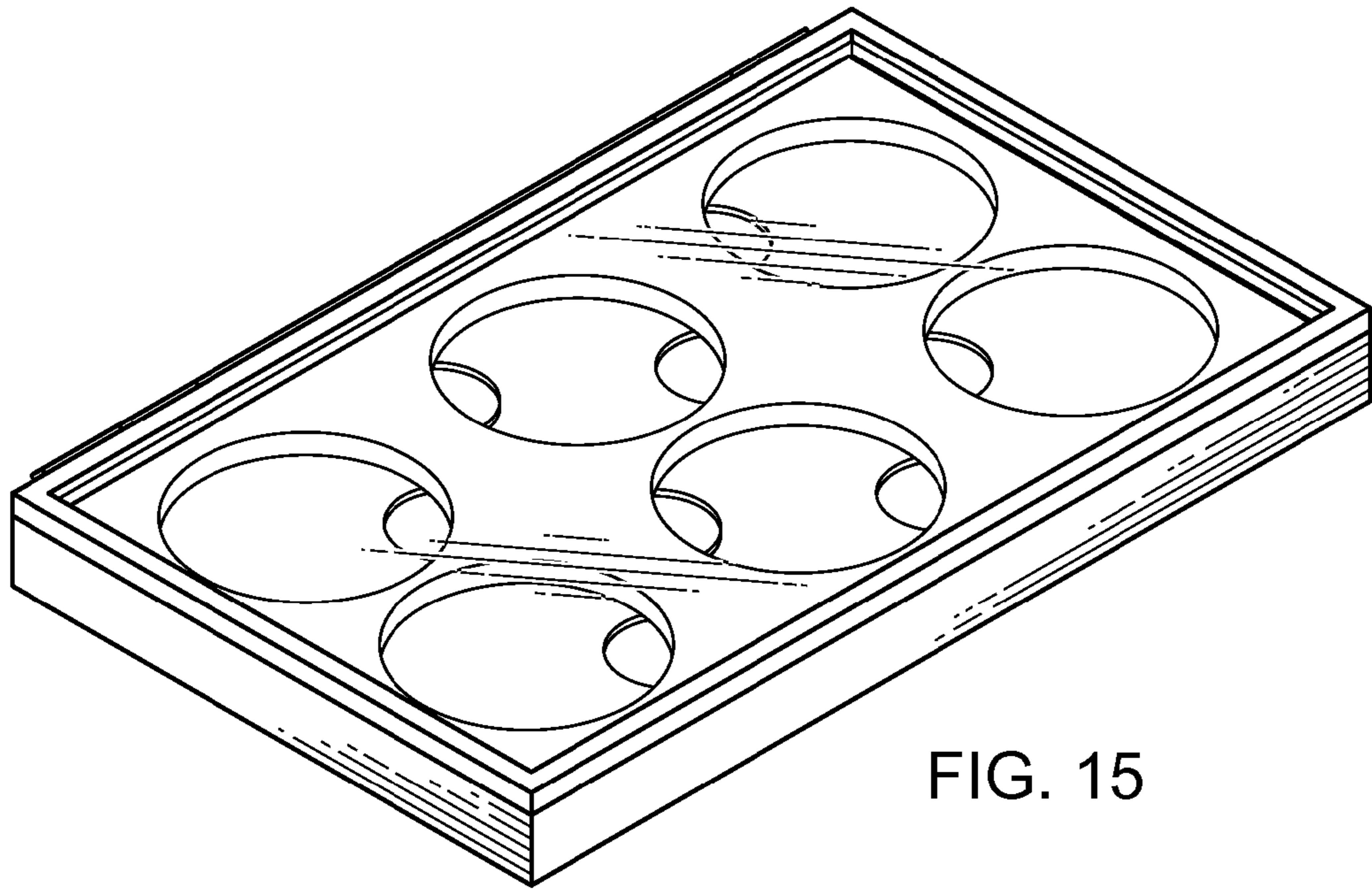


FIG. 15

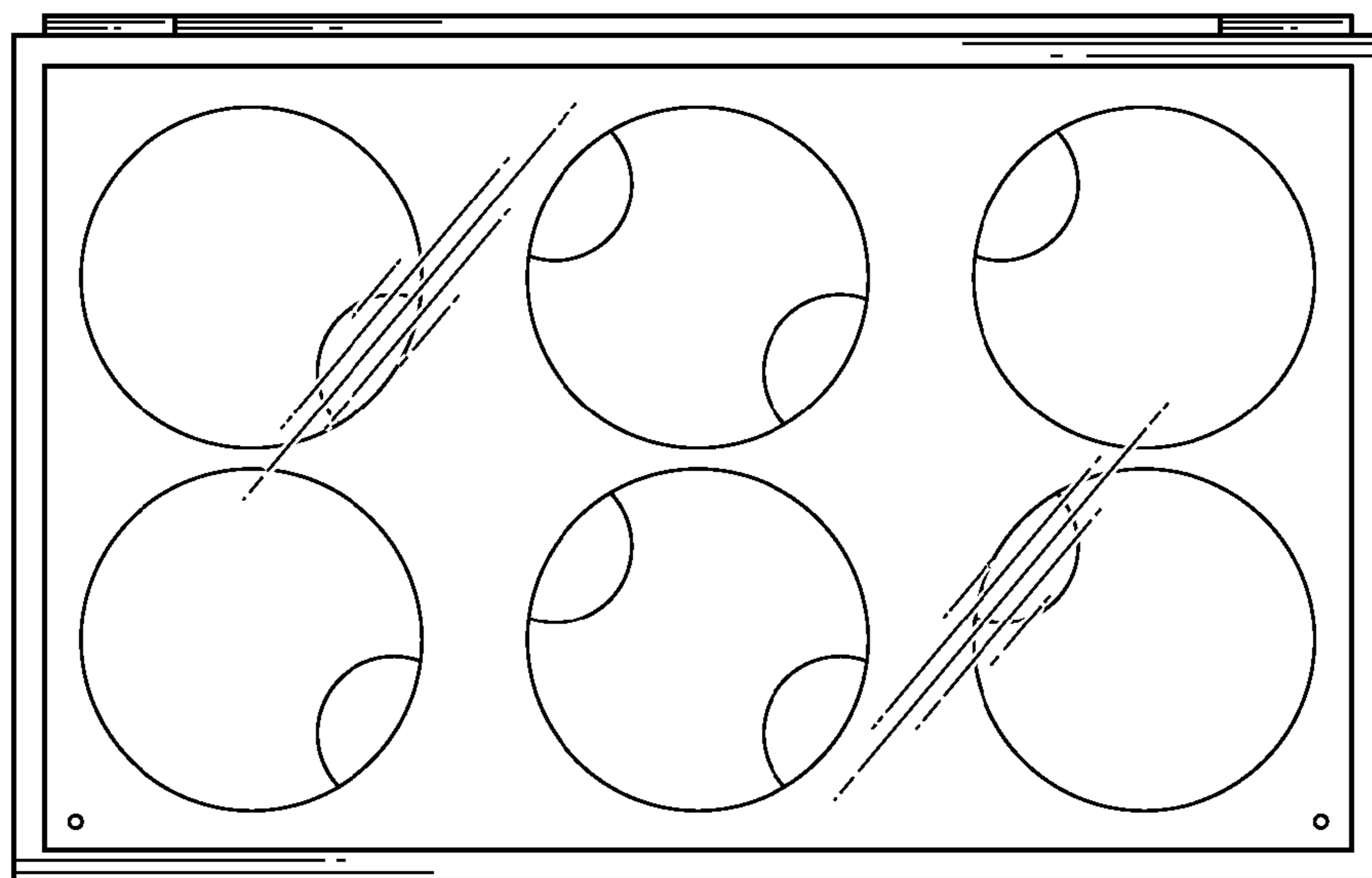


FIG. 16

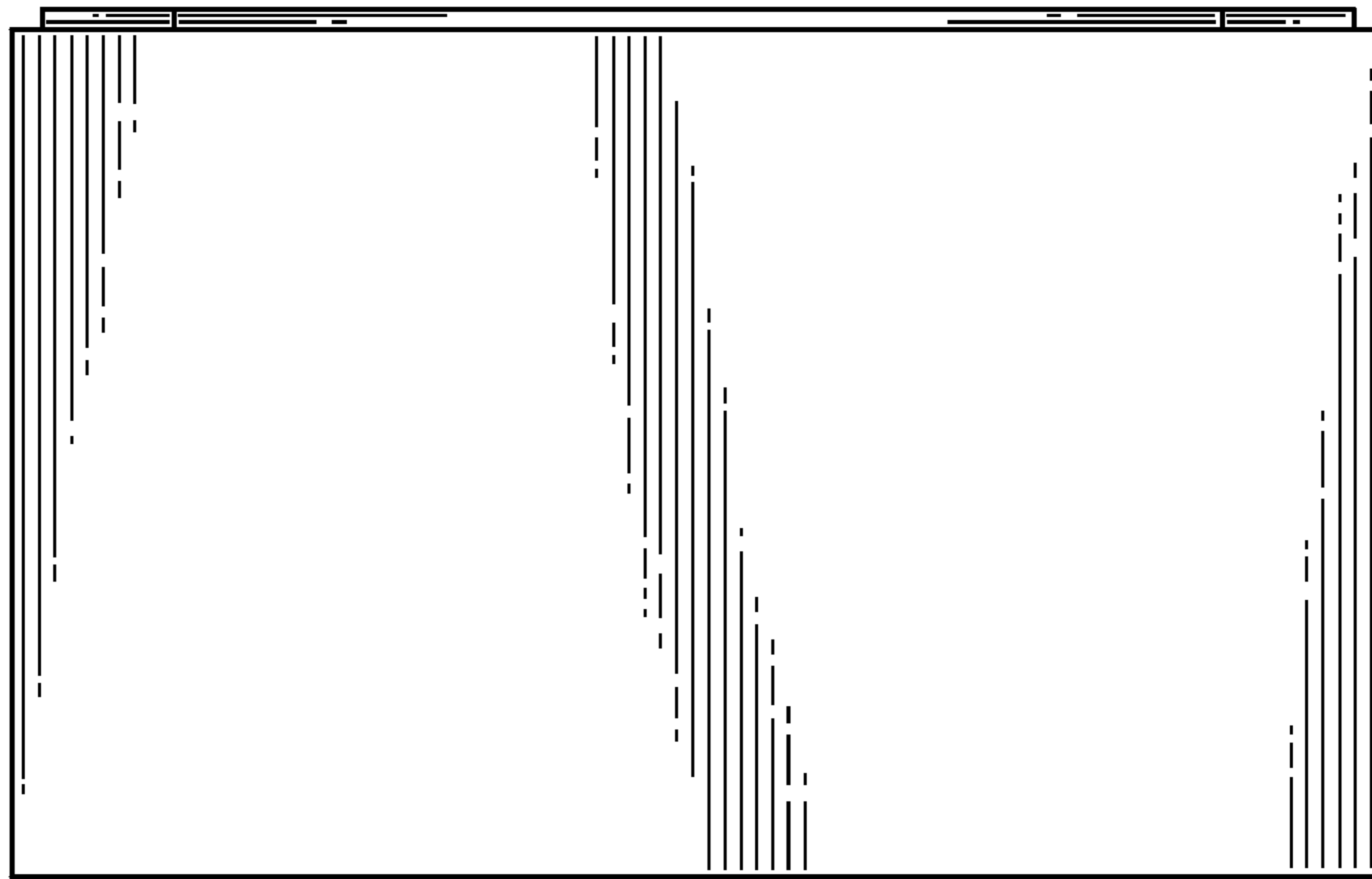


FIG. 17

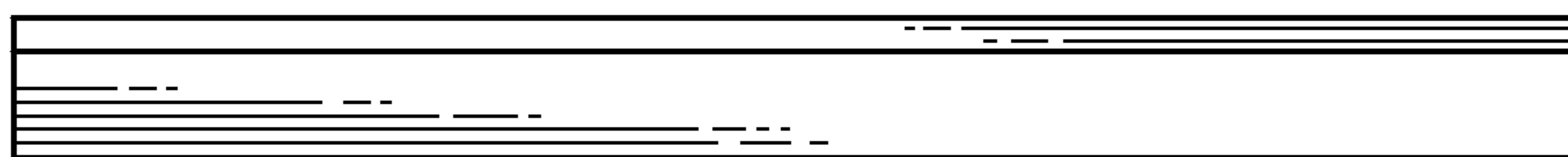


FIG. 18

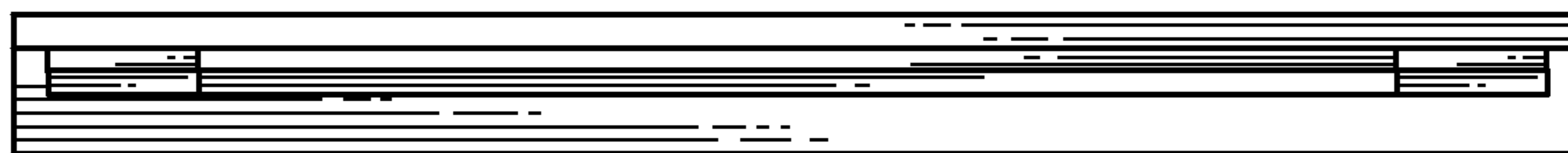


FIG. 19

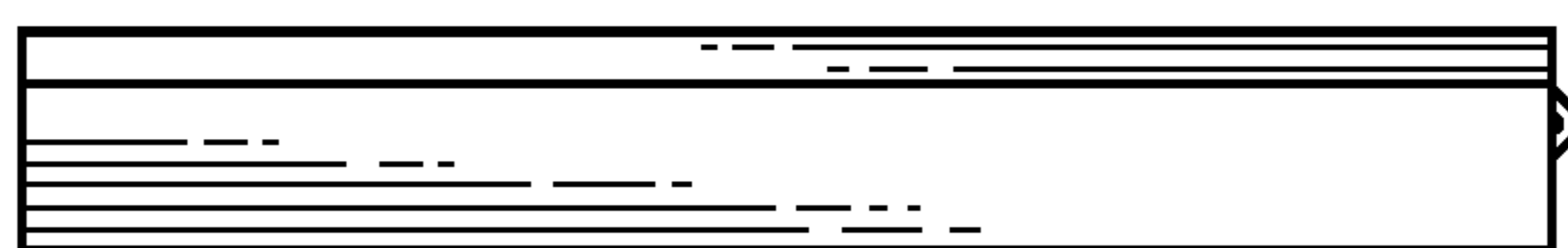


FIG. 20

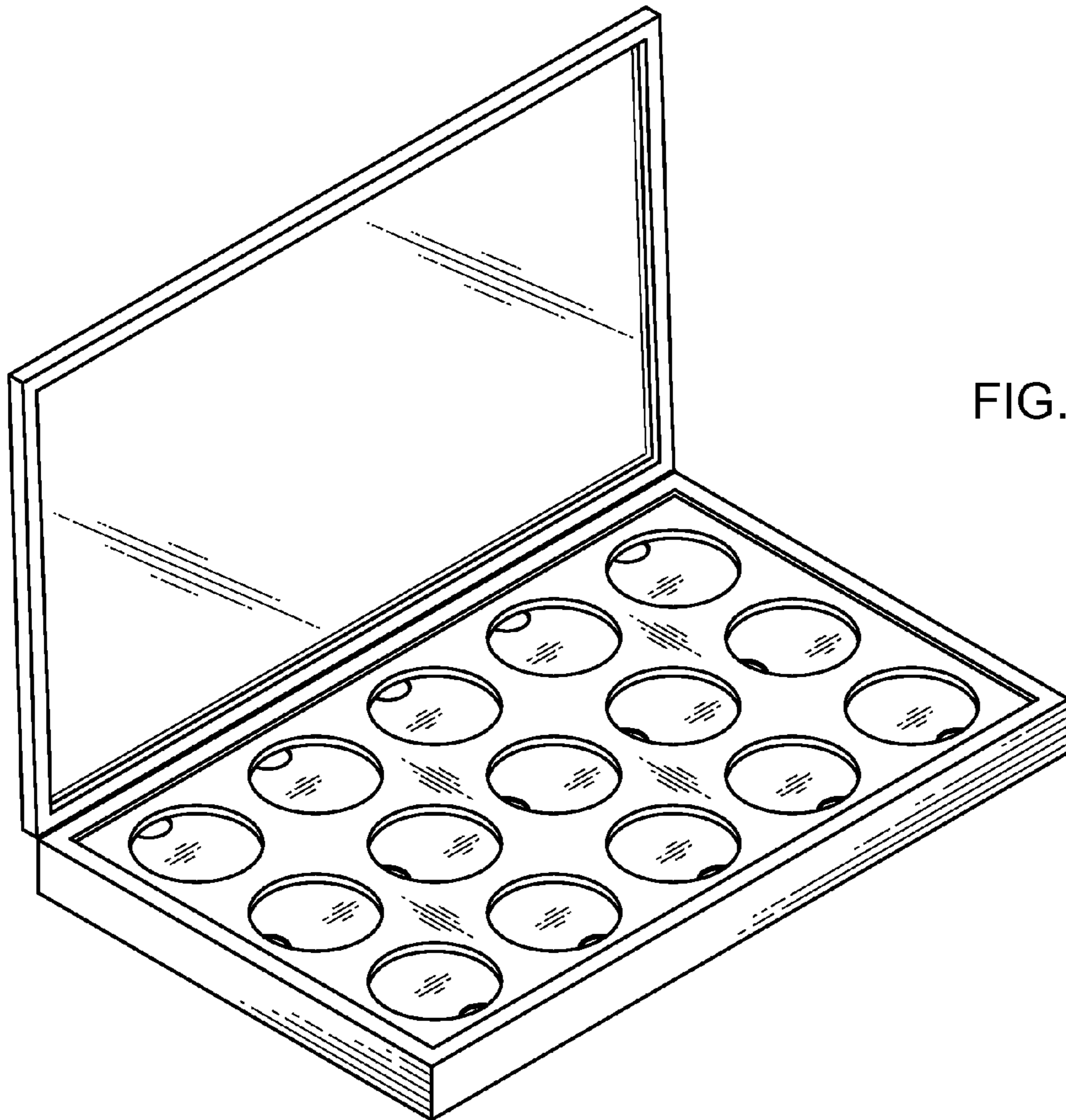


FIG. 21

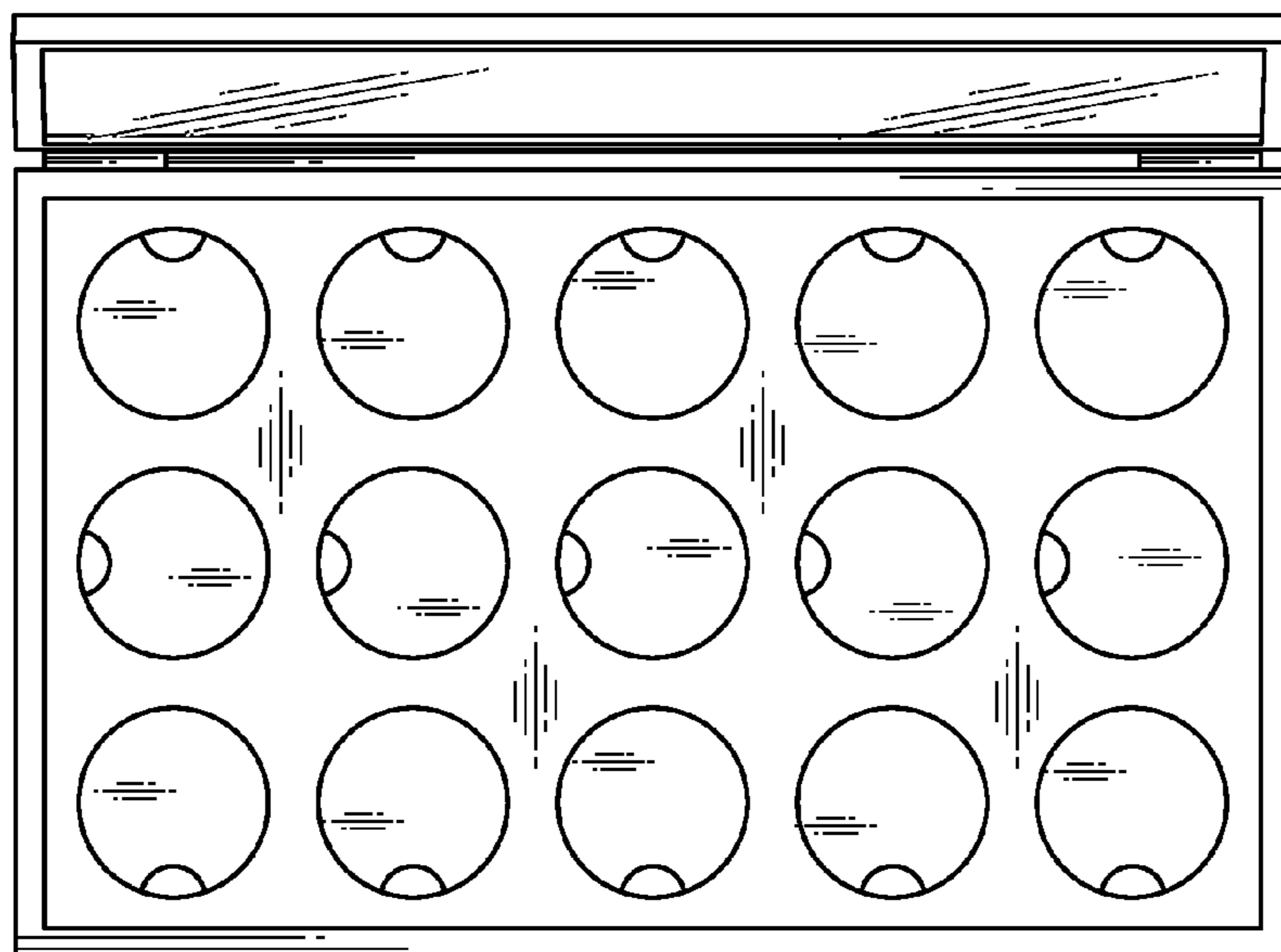


FIG. 22

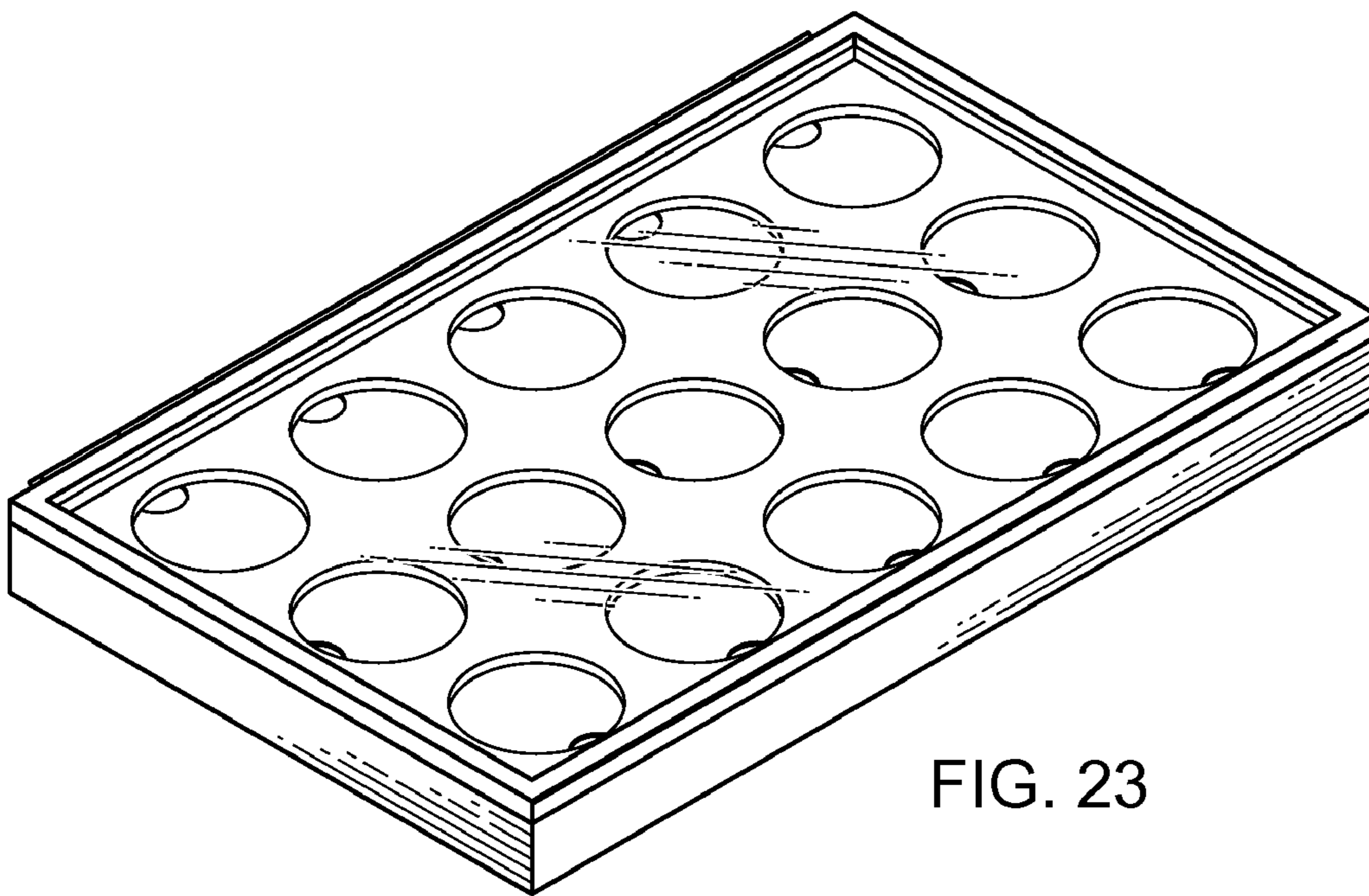


FIG. 23

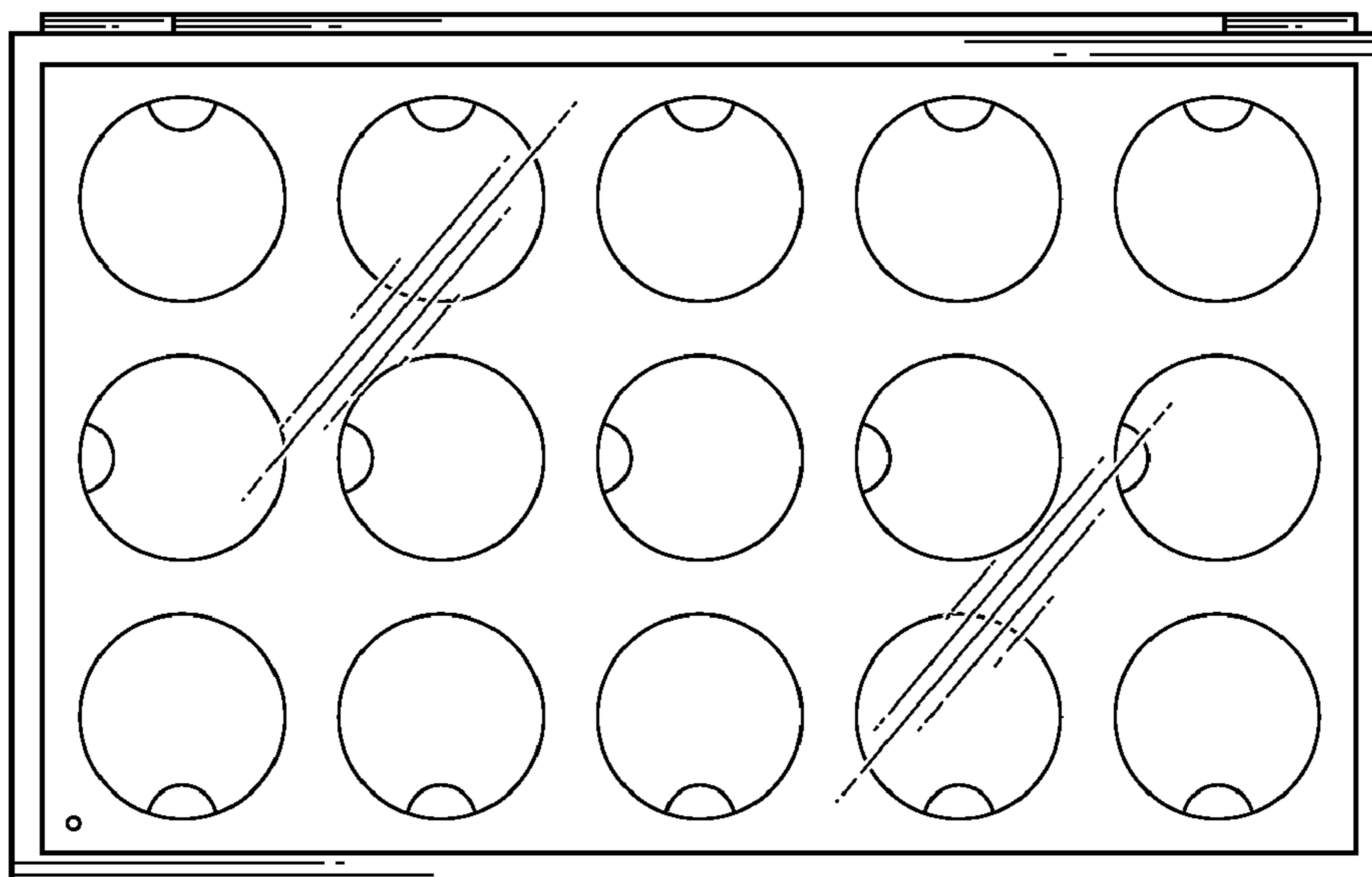


FIG. 24

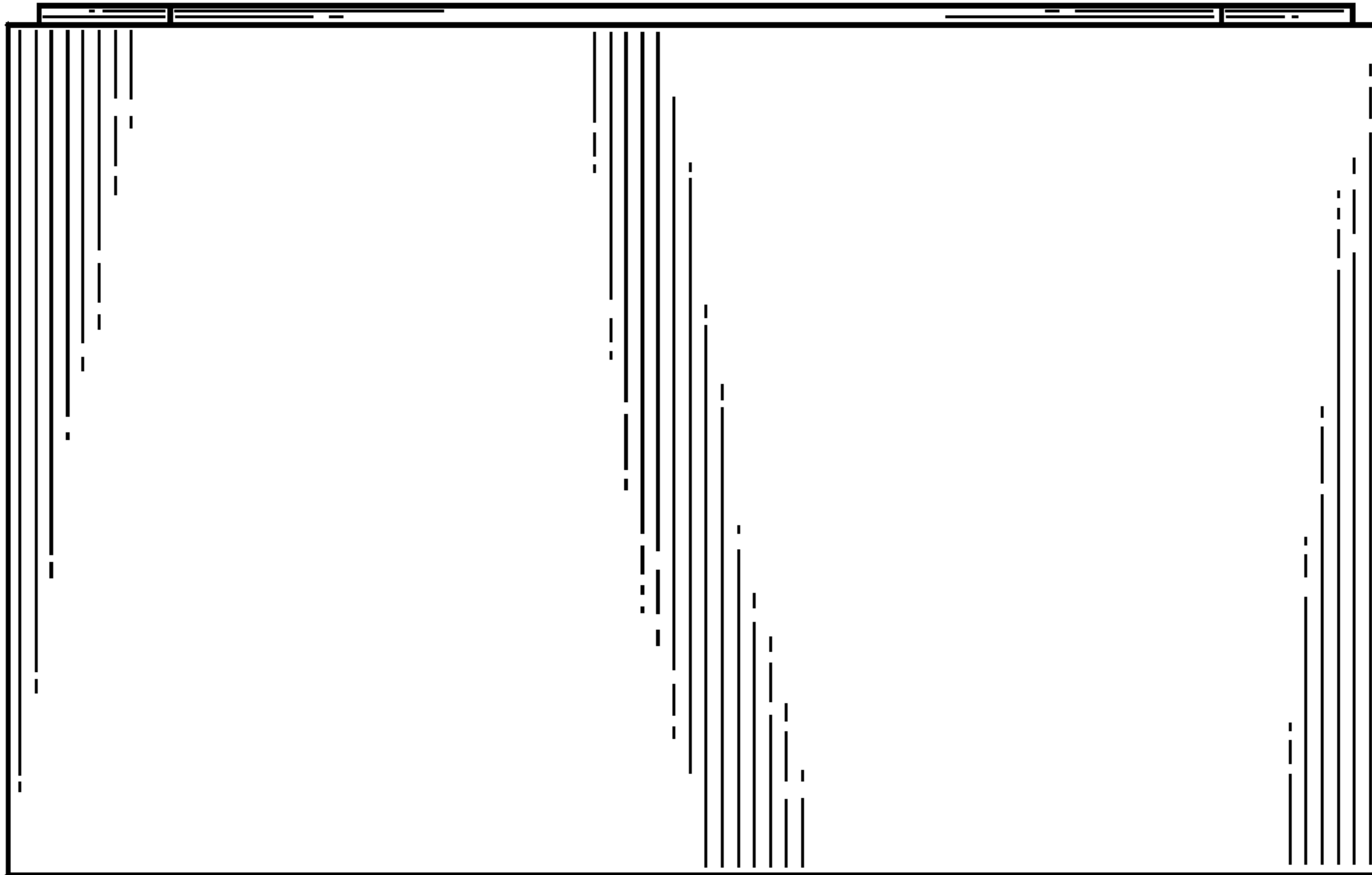


FIG. 25

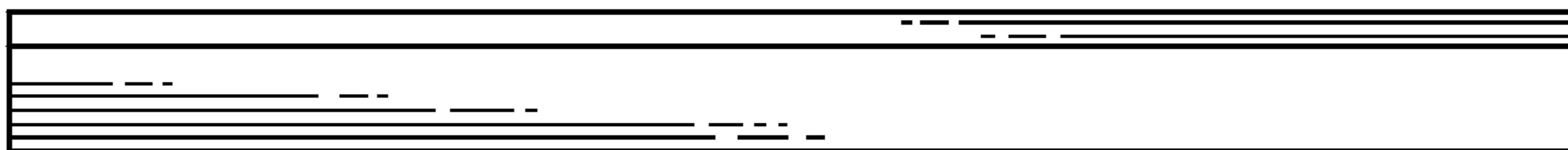


FIG. 26

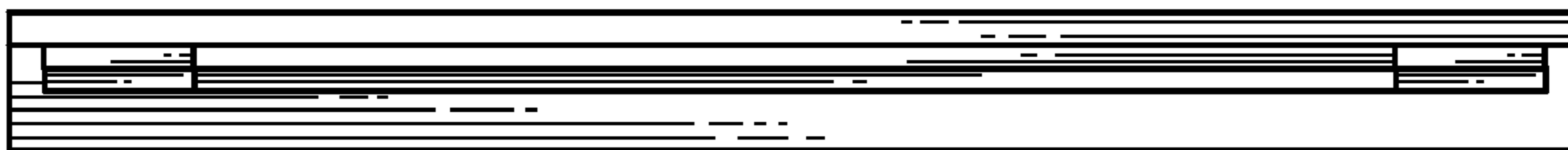


FIG. 27

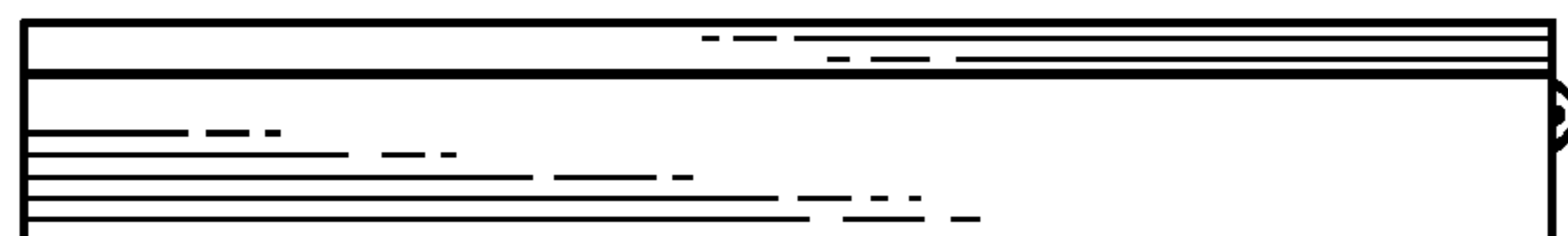


FIG. 28