



US00D597255S

(12) **United States Design Patent**
Wittke-Kothe

(10) **Patent No.:** **US D597,255 S**

(45) **Date of Patent:** **** Jul. 28, 2009**

(54) **SLIDE-OUT NAIL FILE**

(75) Inventor: **Cornelia Wittke-Kothe**, Port
Washington, NY (US)

(73) Assignee: **Tweezerman International, LLC**, Port
Washington, NY (US)

(**) Term: **14 Years**

(21) Appl. No.: **29/323,226**

(22) Filed: **Aug. 21, 2008**

(51) **LOC (9) Cl.** **28-03**

(52) **U.S. Cl.** **D28/59**

(58) **Field of Classification Search** 132/73-76.5;
D28/56-62; D24/147
See application file for complete search history.

(56) **References Cited**

U.S. PATENT DOCUMENTS

2,284,168	A *	5/1942	Rickenbacher	132/76.2
D437,089	S *	1/2001	Newman	D28/59
D440,013	S *	4/2001	Newman	D28/59
D446,885	S *	8/2001	Newman	D28/59

D574,112 S * 7/2008 Park D28/59

* cited by examiner

Primary Examiner—Jennifer Rivard

(74) *Attorney, Agent, or Firm*—Kenyon & Kenyon LLP

(57) **CLAIM**

The ornamental design for a slide-out nail file, as shown and described.

DESCRIPTION

FIG. 1 is a perspective view of a slide-out nail file, with a nail file thereof in a retracted position, showing my new design;

FIG. 2 is a top view thereof;

FIG. 3 is a bottom view thereof;

FIG. 4 is a front view thereof;

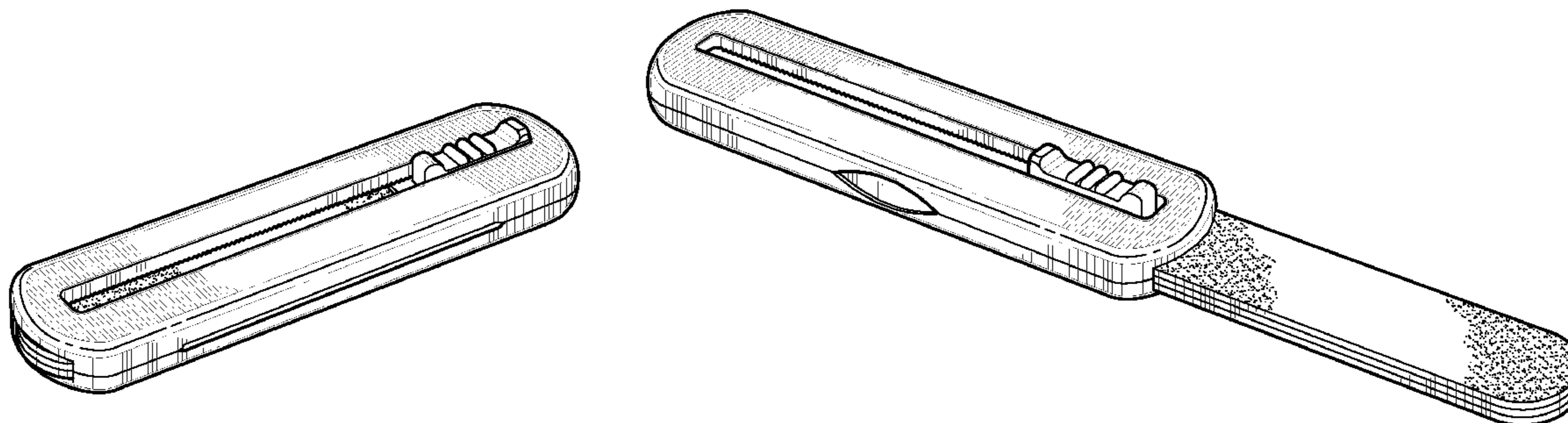
FIG. 5 is a rear view thereof;

FIG. 6 is a left side view thereof;

FIG. 7 is a right side view thereof; and,

FIG. 8 is a perspective view thereof, with the nail file thereof in an extended position.

1 Claim, 4 Drawing Sheets



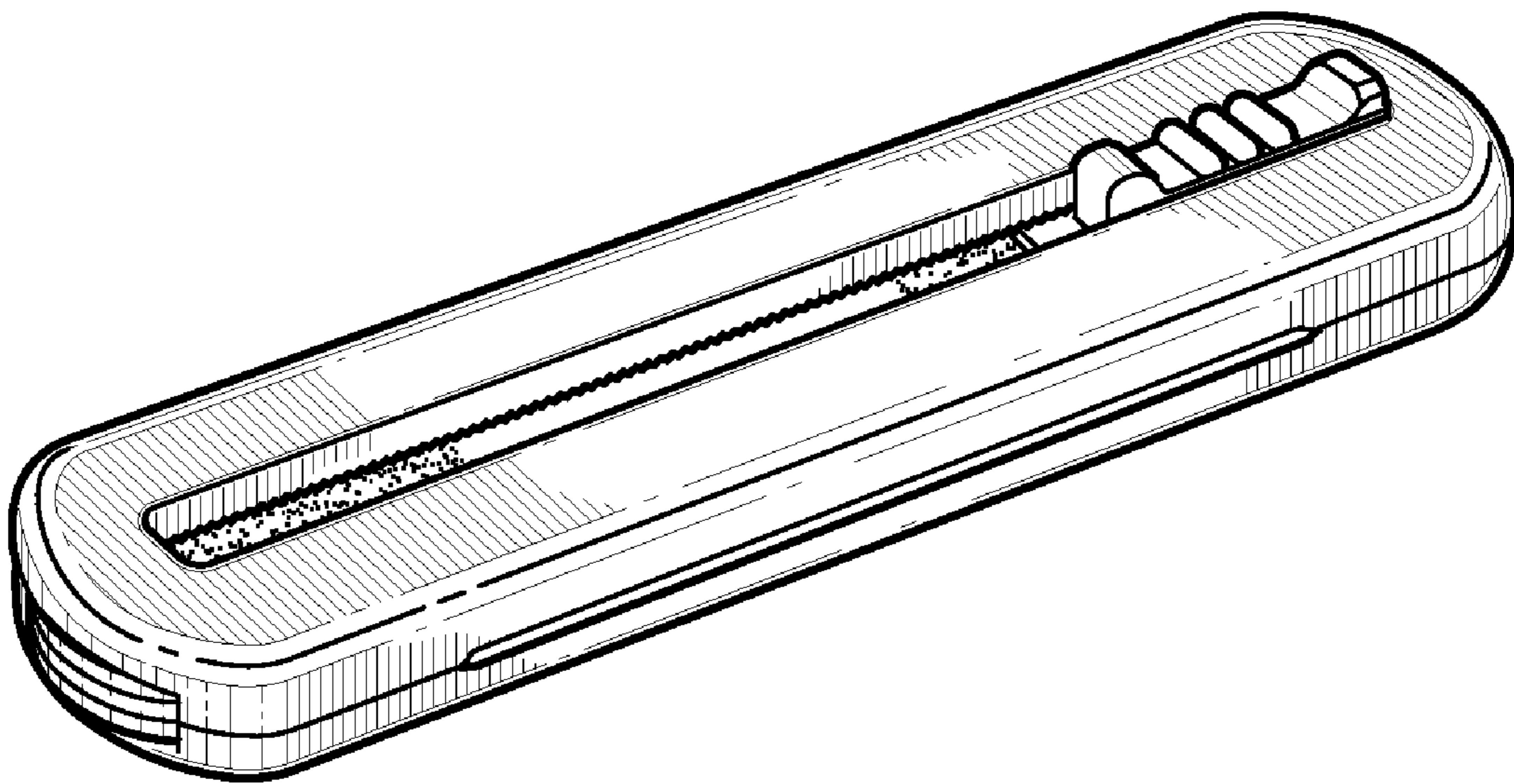


FIG. 1

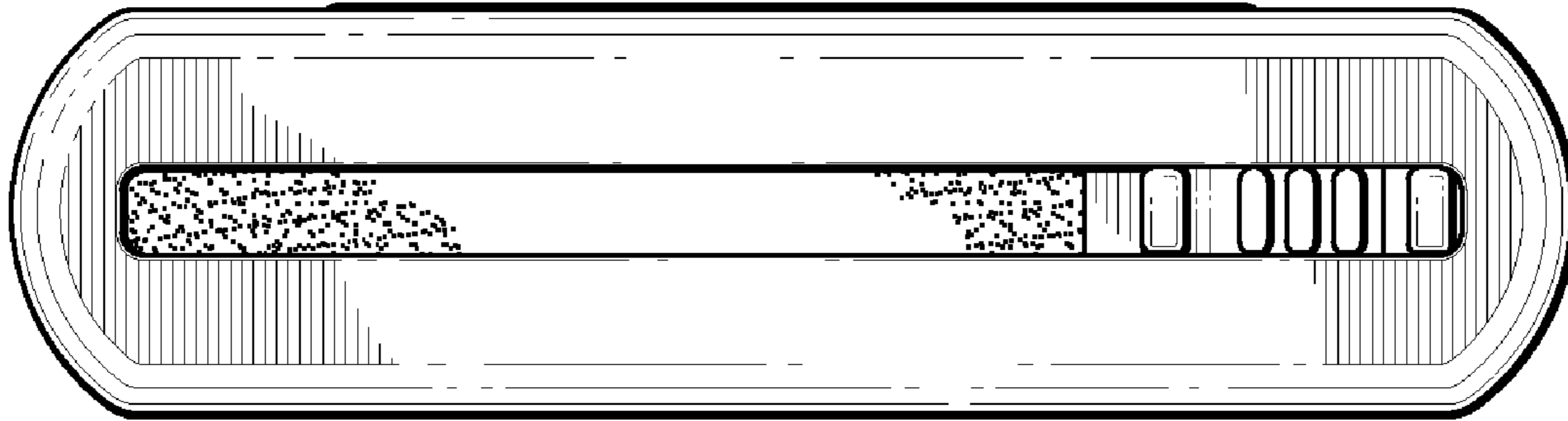


FIG. 2

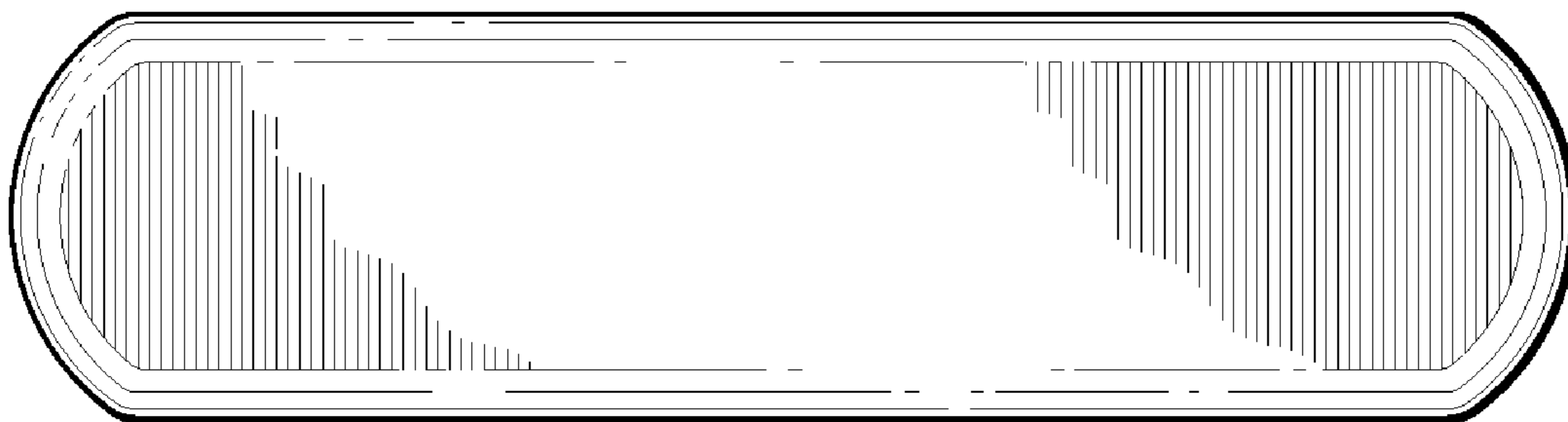


FIG. 3

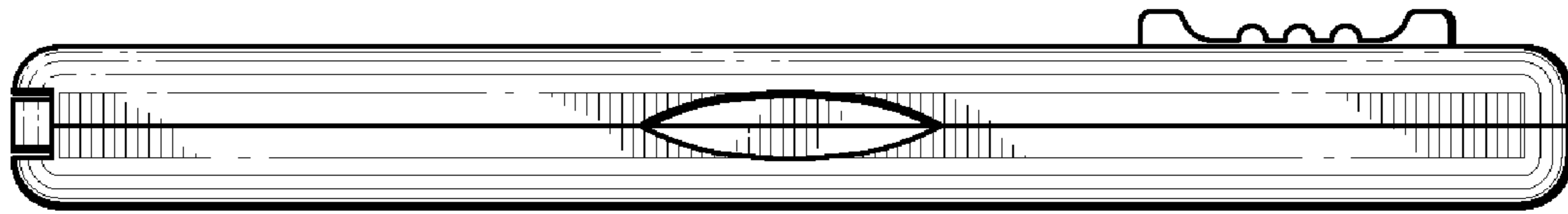


FIG. 4

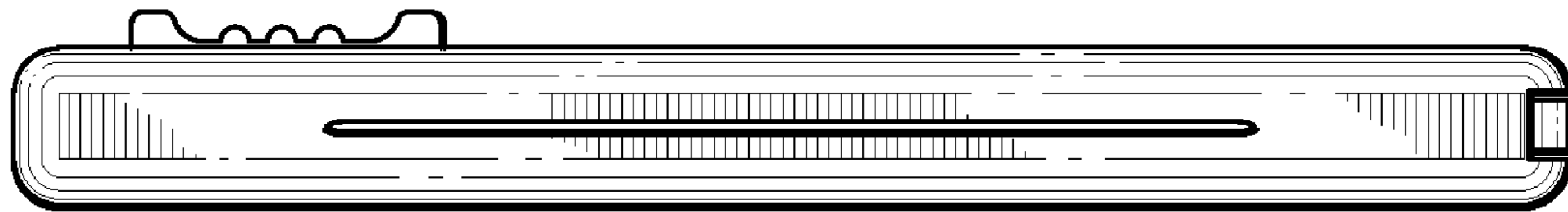


FIG. 5

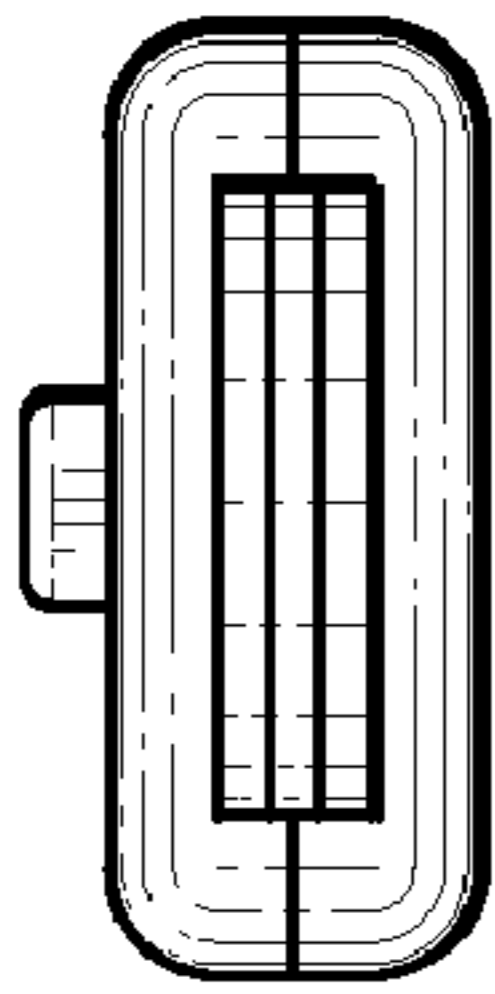


FIG. 6

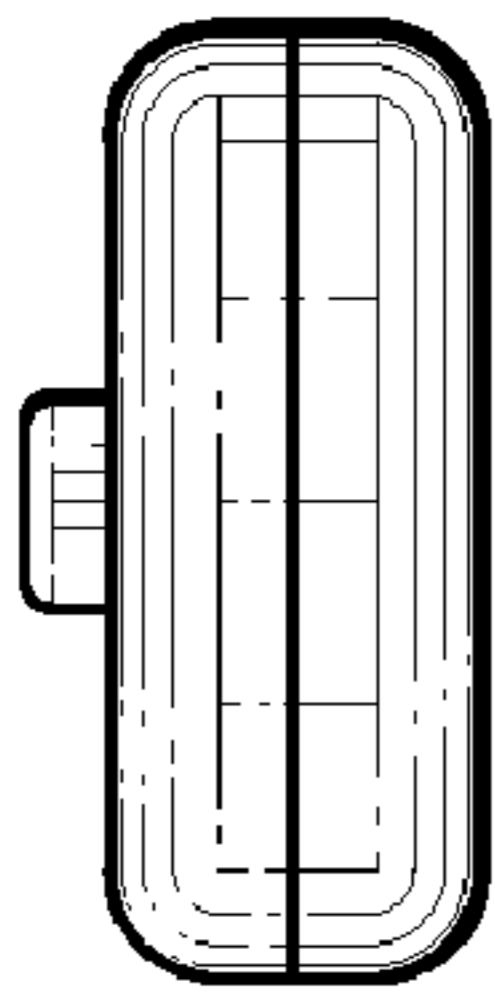


FIG. 7

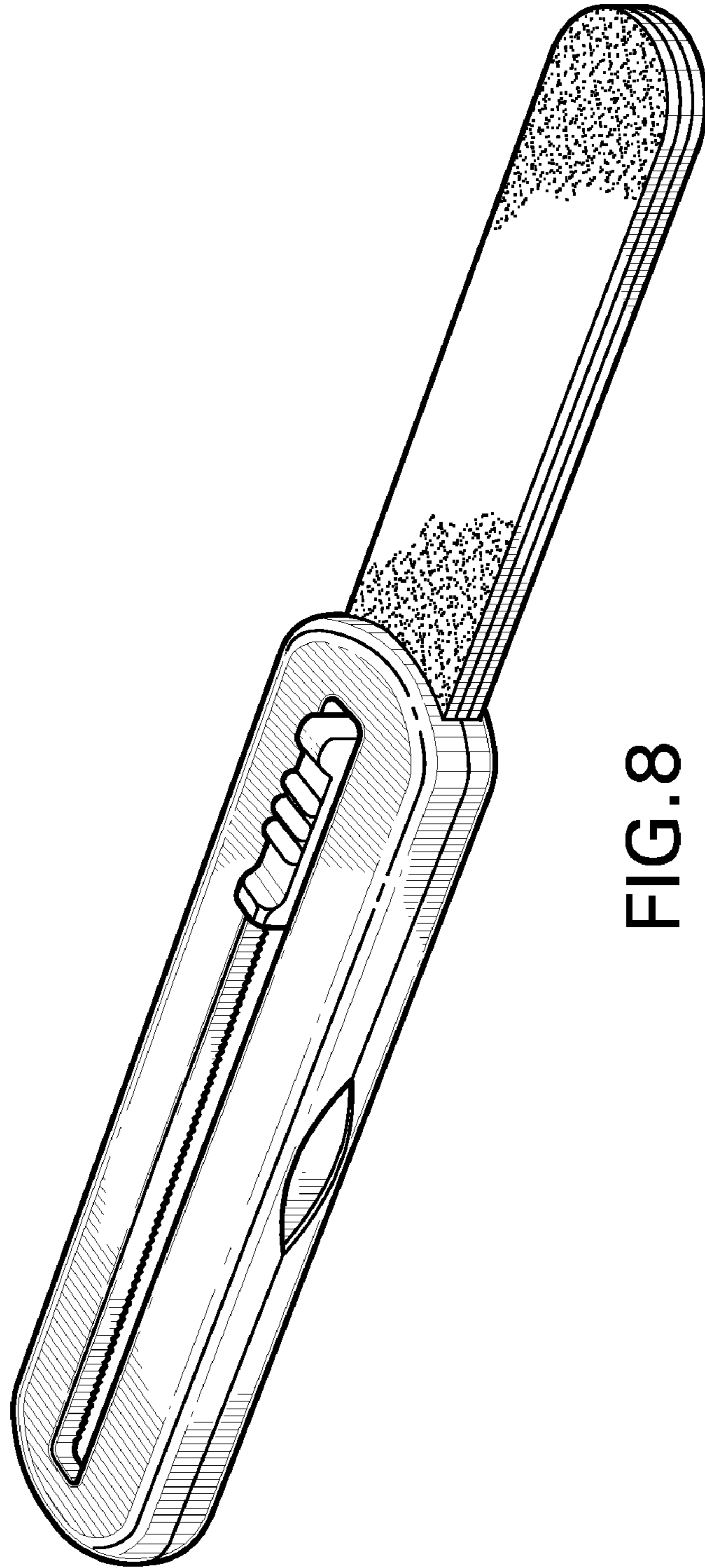


FIG. 8