



US00D597250S

(12) **United States Design Patent**
Lee

(10) **Patent No.:** **US D597,250 S**

(45) **Date of Patent:** **** Jul. 28, 2009**

(54) **CIGAR CUTTER**

(76) **Inventor:** **Young Min Lee**, 6116 Walker Ave.,
Bldg. A, Maywood, CA (US) 90270

(**) **Term:** **14 Years**

(21) **Appl. No.:** **29/323,049**

(22) **Filed:** **Aug. 15, 2008**

(51) **LOC (9) Cl.** **27-06**

(52) **U.S. Cl.** **D27/195**

(58) **Field of Classification Search** 30/109–113;
D27/195; 131/248–255

See application file for complete search history.

(56) **References Cited**

U.S. PATENT DOCUMENTS

D245,347 S *	8/1977	Casey	D27/195
4,711,254 A *	12/1987	Fleisher et al.	131/255
D392,409 S *	3/1998	Davidoski	D27/195
D414,893 S *	10/1999	Moore	D27/195
D570,041 S *	5/2008	Smith	D27/195
2003/0056800 A1 *	3/2003	Lin	131/254

* cited by examiner

Primary Examiner—Jennifer Rivard

(74) *Attorney, Agent, or Firm*—Michael D. Eisenberg

(57) **CLAIM**

The ornamental design for a cigar cutter, as shown and described.

DESCRIPTION

FIG. 1 is a front elevational view of a cigar cutter according to the invention;

FIG. 2 is a rear elevational view of the cigar cutter of FIG. 1;

FIG. 3 is a top plan view of the cigar cutter of FIG. 1;

FIG. 4 is a bottom plan view of the cigar cutter of FIG. 1;

FIG. 5 is a side elevational view of the cigar cutter of FIG. 1;

FIG. 6 is another side elevational view of the cigar cutter of FIG. 1;

FIG. 7 is a front perspective view of the cigar cutter of FIG. 1;

FIG. 8 is another rear perspective view of the cigar cutter of FIG. 1; and,

FIG. 9 is a cross sectional view taken along the line 9—9 in FIG. 8.

1 Claim, 9 Drawing Sheets

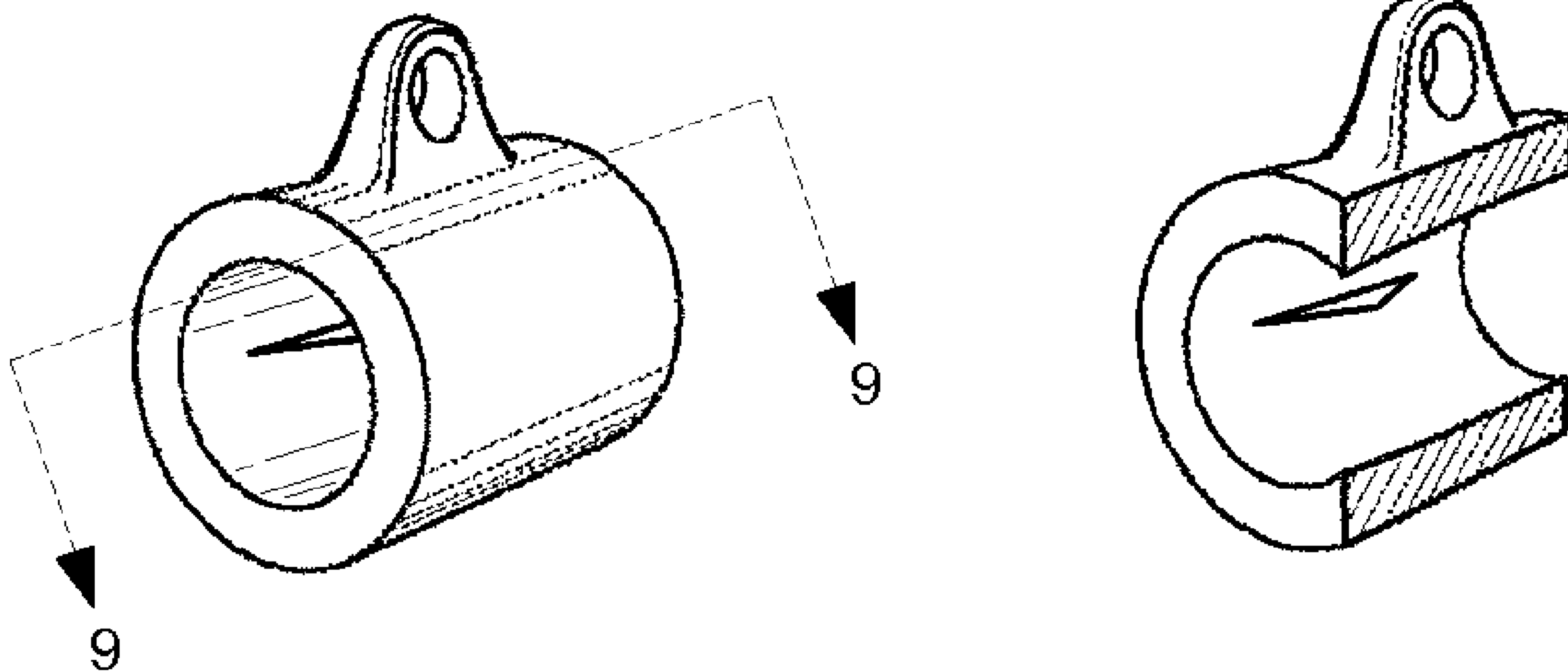


FIG. 1

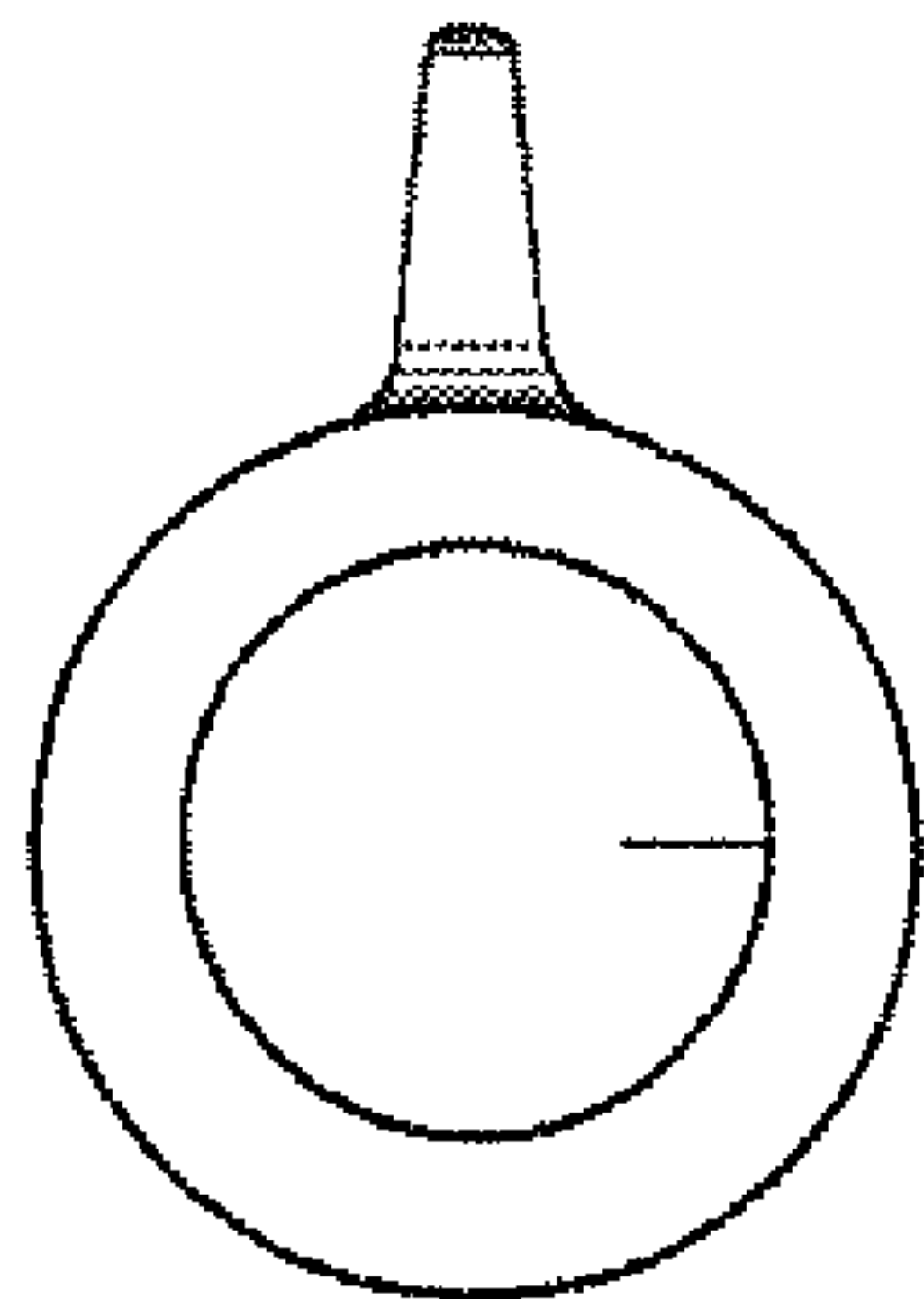


FIG. 2

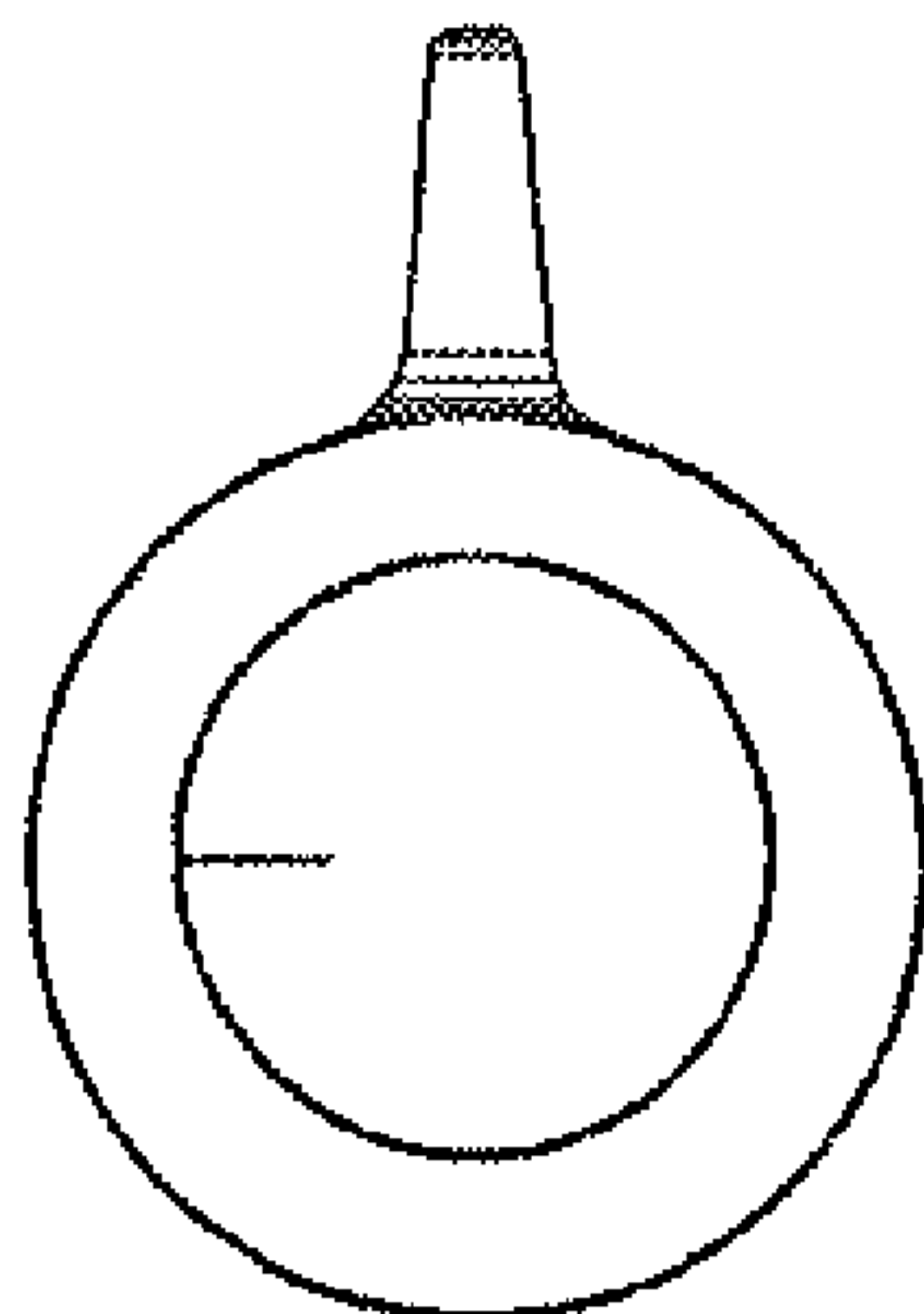


FIG. 3

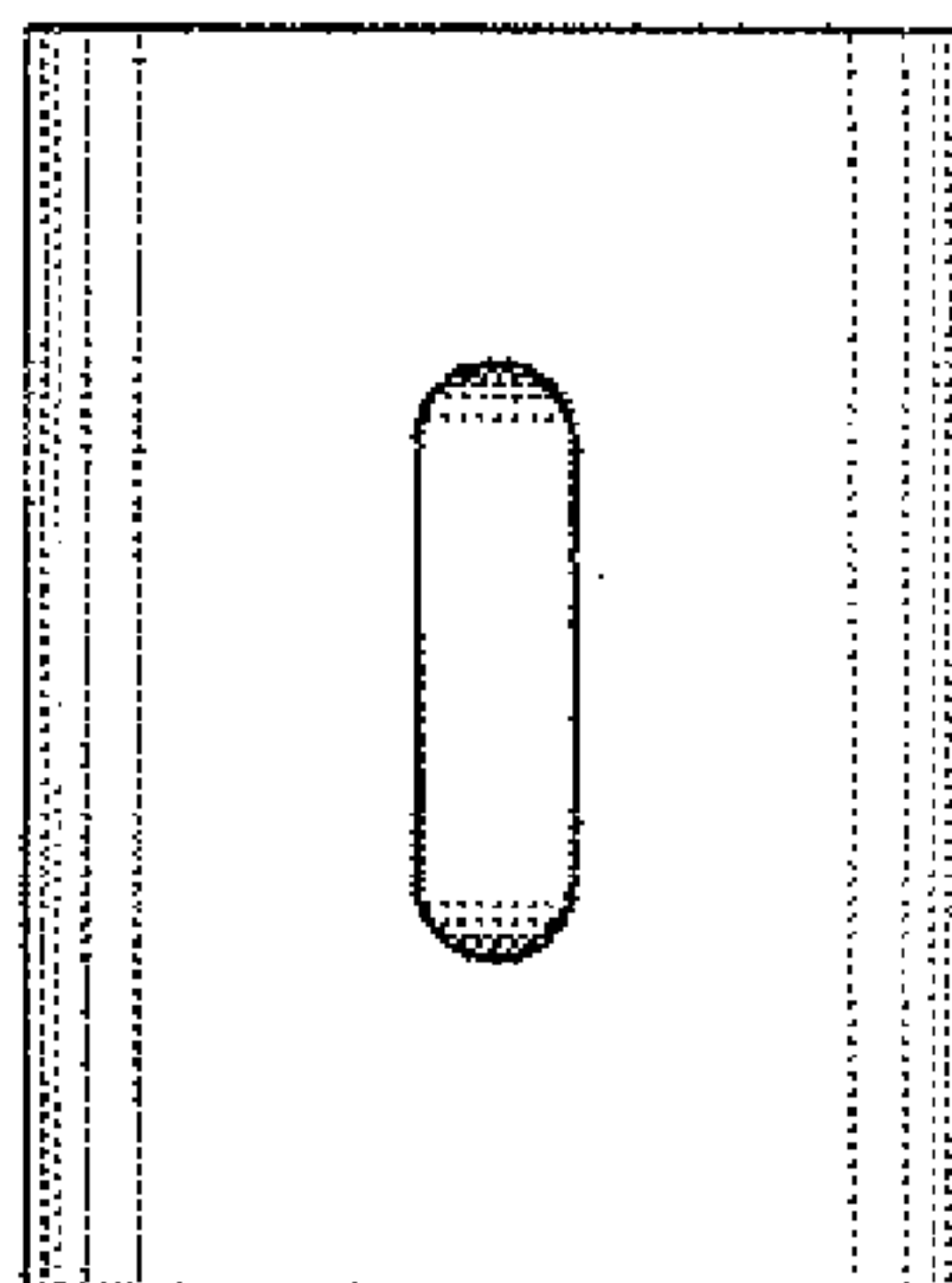


FIG. 4

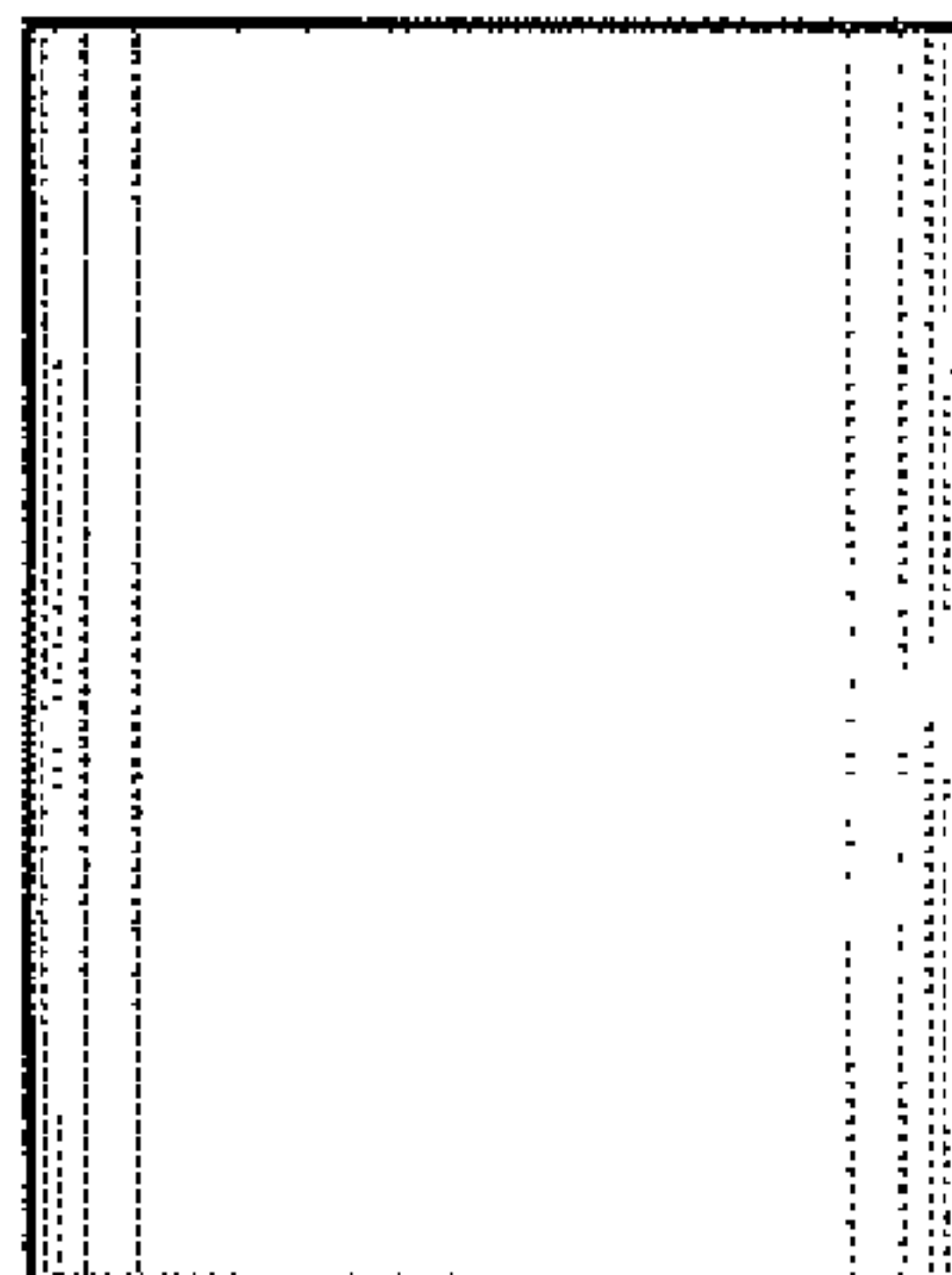


FIG. 5

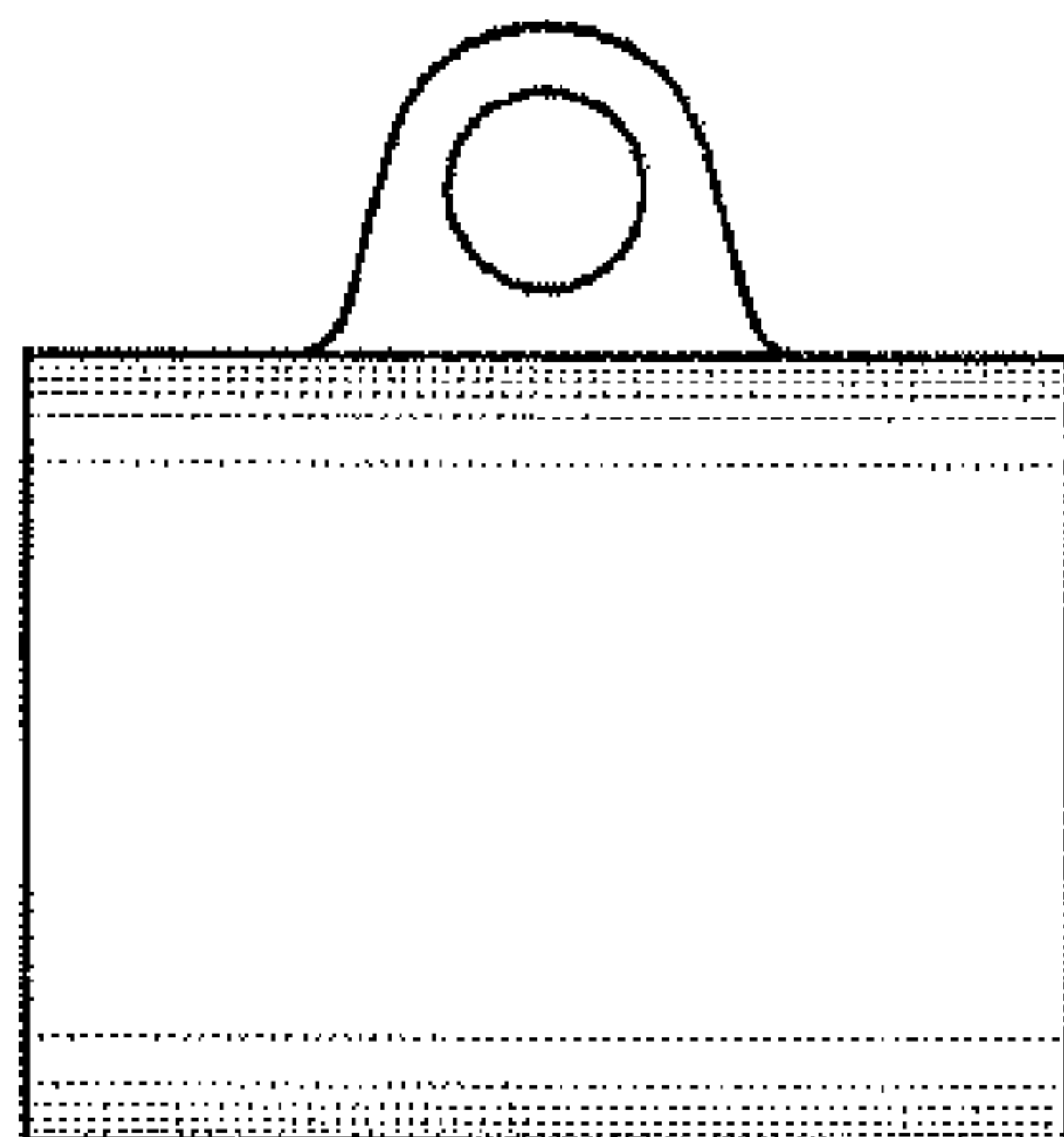


FIG. 6

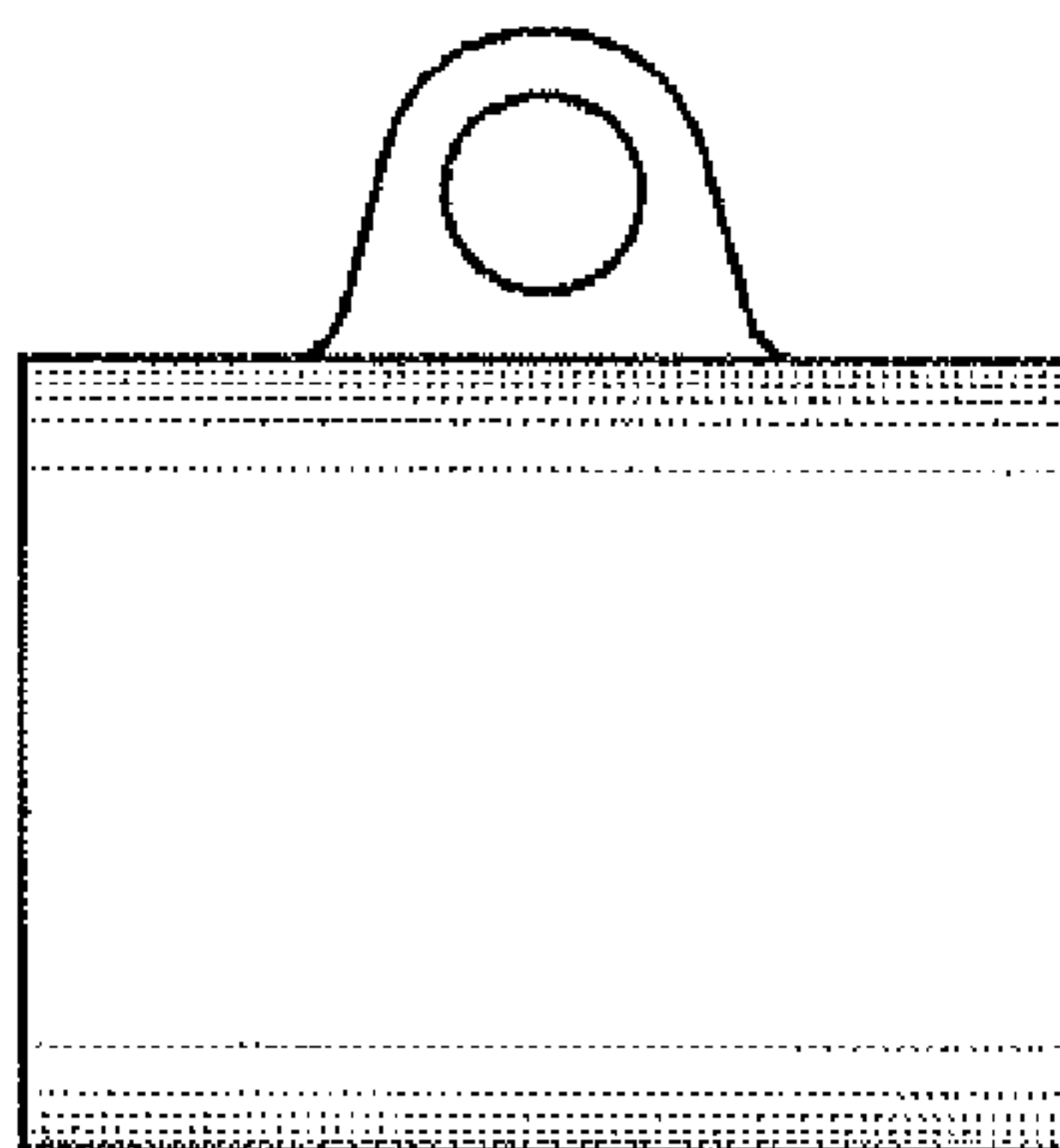


FIG. 7

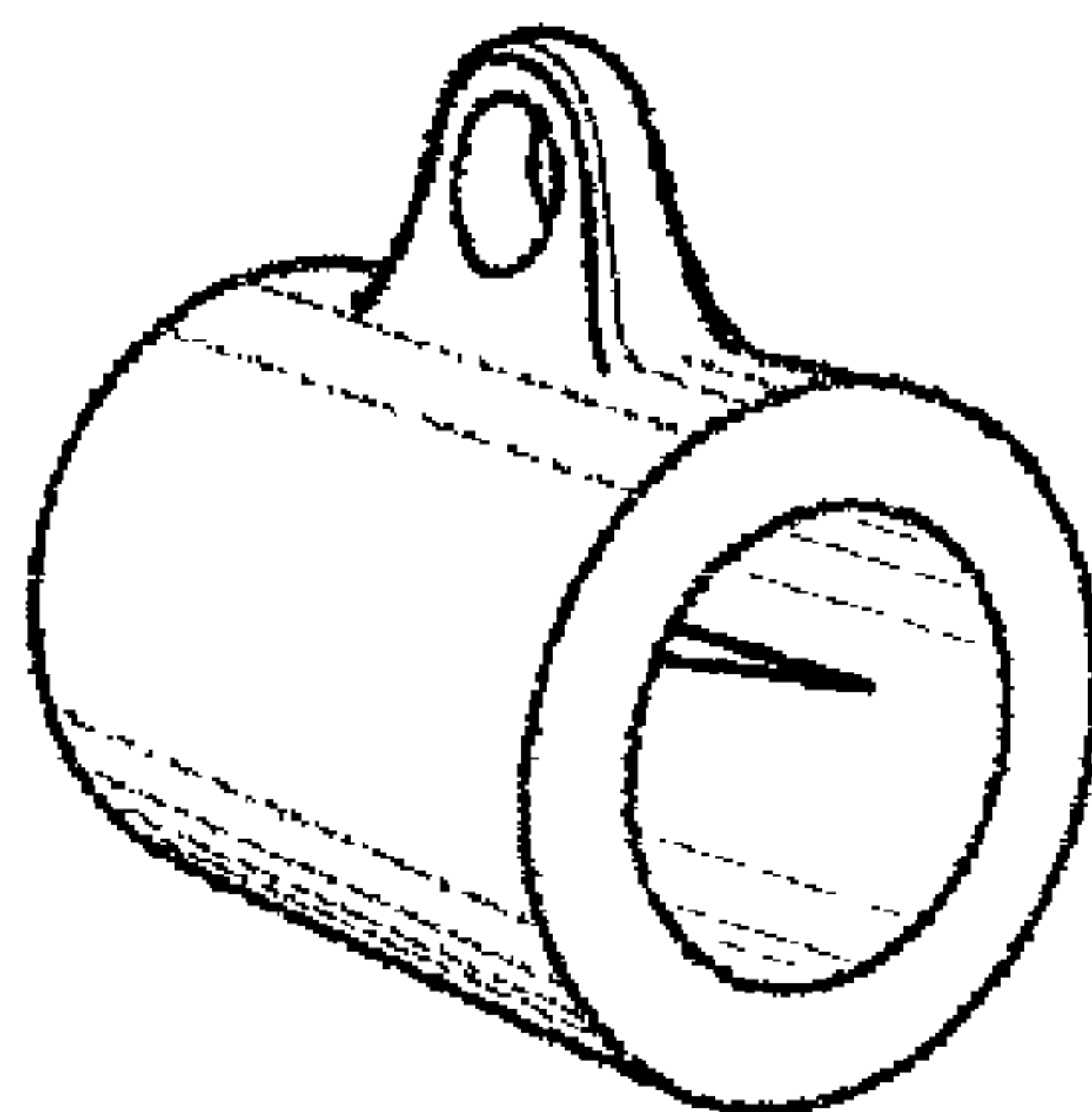


FIG. 8

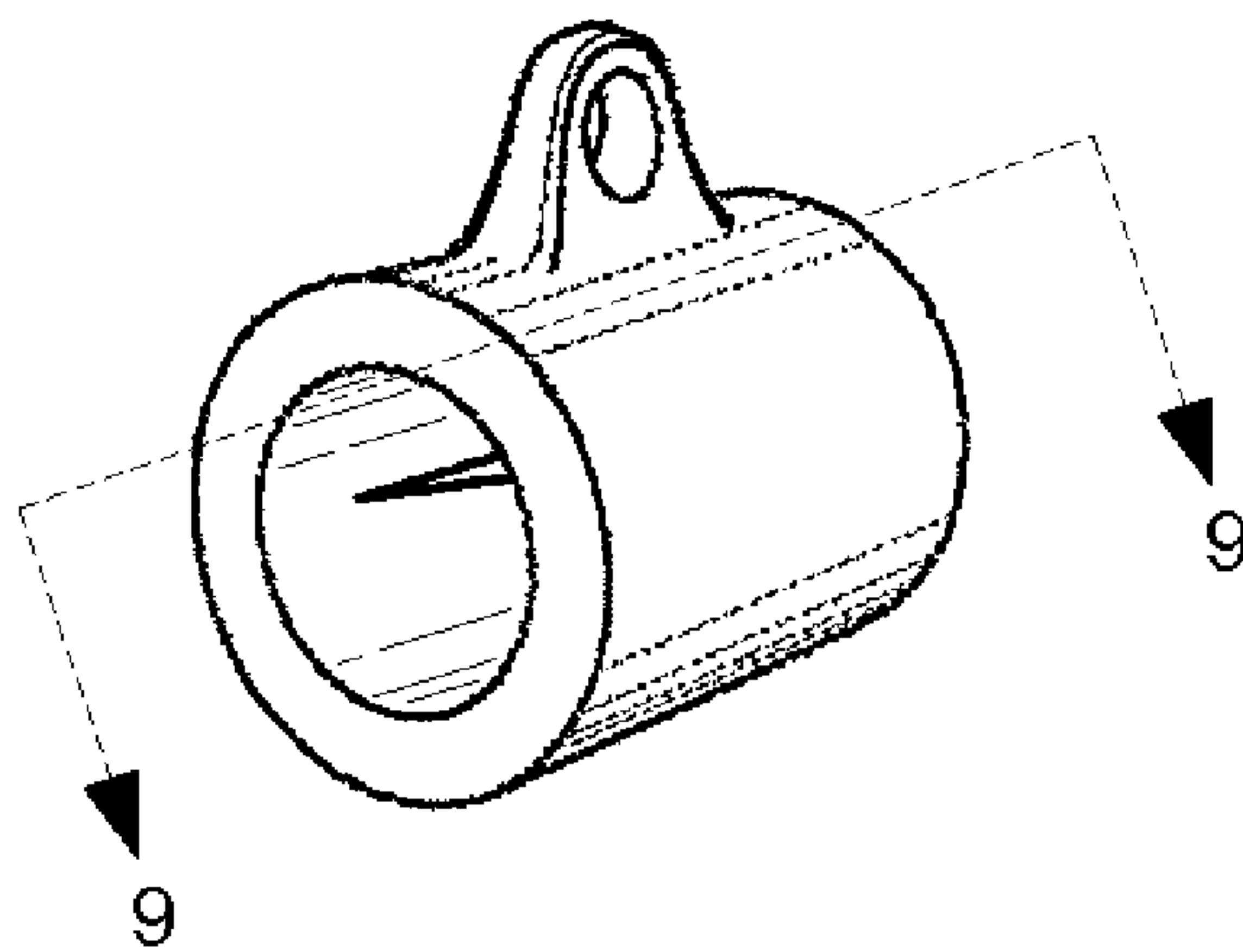


FIG. 9

