



US00D597248S

(12) **United States Design Patent**
Lee et al.

(10) **Patent No.:** **US D597,248 S**
(45) **Date of Patent:** **** Jul. 28, 2009**

(54) **LIGHT FIXTURE**

(75) Inventors: **Eun Ju Lee**, New York, NY (US); **Mark W. Morton**, Bronxville, NY (US); **Michael Castelli**, West Slip, NY (US)

(73) Assignee: **Bank of America Corporation**, Charlotte, NC (US)

(**) Term: **14 Years**

(21) Appl. No.: **29/325,133**

(22) Filed: **Sep. 25, 2008**

(51) **LOC (9) Cl.** **26-99**

(52) **U.S. Cl.** **D26/122**

(58) **Field of Classification Search** D26/142, D26/149, 150, 151, 152, 119, 128, 129, 130, D26/140, 141, 76, 120, 122, 118, 113, 138, D26/74, 121, 77, 60, 75, 78, 81, 80, 82, 83, D26/85, 86, 88, 89, 90, 26, 35; 362/342, 362/600, 601, 605, 606, 607, 608, 632, 633, 362/558, 572, 573, 576, 145, 147, 217.01–217.05, 362/218, 219, 222, 223, 224, 225, 217.08–217.11, 362/217.14, 217.15, 246, 248, 279, 290, 362/325, 354, 355, 364, 366; D6/580, 300, D6/492, 579; D25/103, 124, 122, 123, 125, D25/106, 109, 110, 138

See application file for complete search history.

(56) **References Cited**

U.S. PATENT DOCUMENTS

2,219,383 A * 10/1940 Dillon 362/219
2,710,332 A * 6/1955 Gogen 362/86
D320,283 S * 9/1991 Burkarth D26/121

D329,919 S * 9/1992 Jahn D26/77
D334,076 S * 3/1993 Dieperink et al. D26/77
D377,231 S * 1/1997 Degelmann D26/77
D429,357 S * 8/2000 Grimm D26/76
6,174,069 B1 * 1/2001 Plunk et al. 362/147
6,273,592 B1 * 8/2001 Herst et al. 362/342
6,301,770 B1 * 10/2001 McIlwraith 29/527.2
D481,824 S * 11/2003 Watt D26/118
D485,932 S * 1/2004 Crane D26/76
6,764,199 B2 * 7/2004 Hess 362/290
2003/0137843 A1 * 7/2003 Mier-Langner et al. 362/285
2005/0141216 A1 * 6/2005 McCarthy 362/147

FOREIGN PATENT DOCUMENTS

CA 97245 7/2003

* cited by examiner

Primary Examiner—Cathron C Brooks

Assistant Examiner—Kevin K Rudzinski

(74) *Attorney, Agent, or Firm*—Banner & Witcoff, Ltd.

(57) **CLAIM**

The ornamental design for a light fixture, as shown and described.

DESCRIPTION

FIG. 1 is a front perspective view of a light fixture showing our new design;

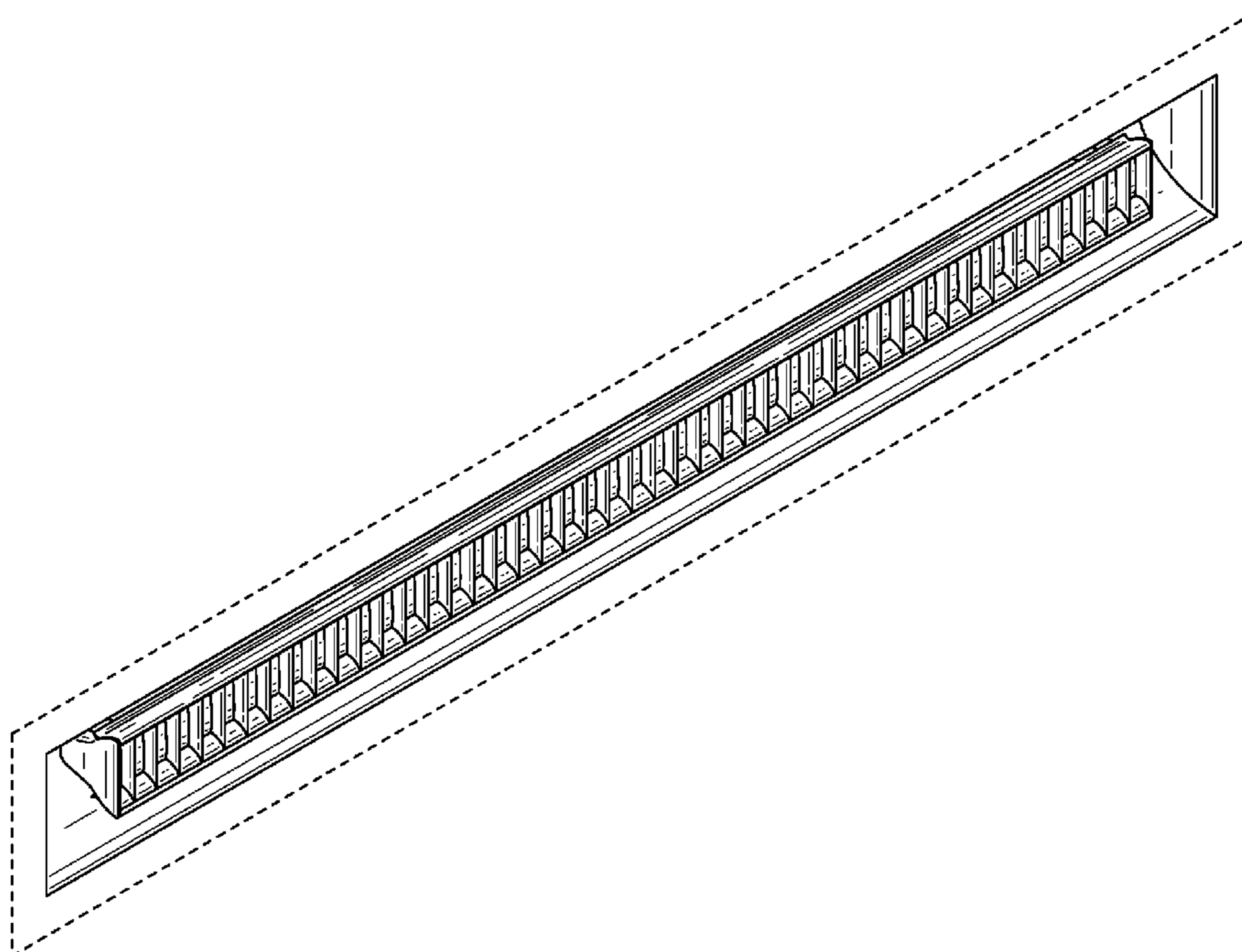
FIG. 2 is a front view thereof;

FIG. 3 is a top perspective view thereof; and,

FIG. 4 is a left side perspective view thereof.

The broken line showing of environmental structure forms no part of the claimed design.

1 Claim, 2 Drawing Sheets



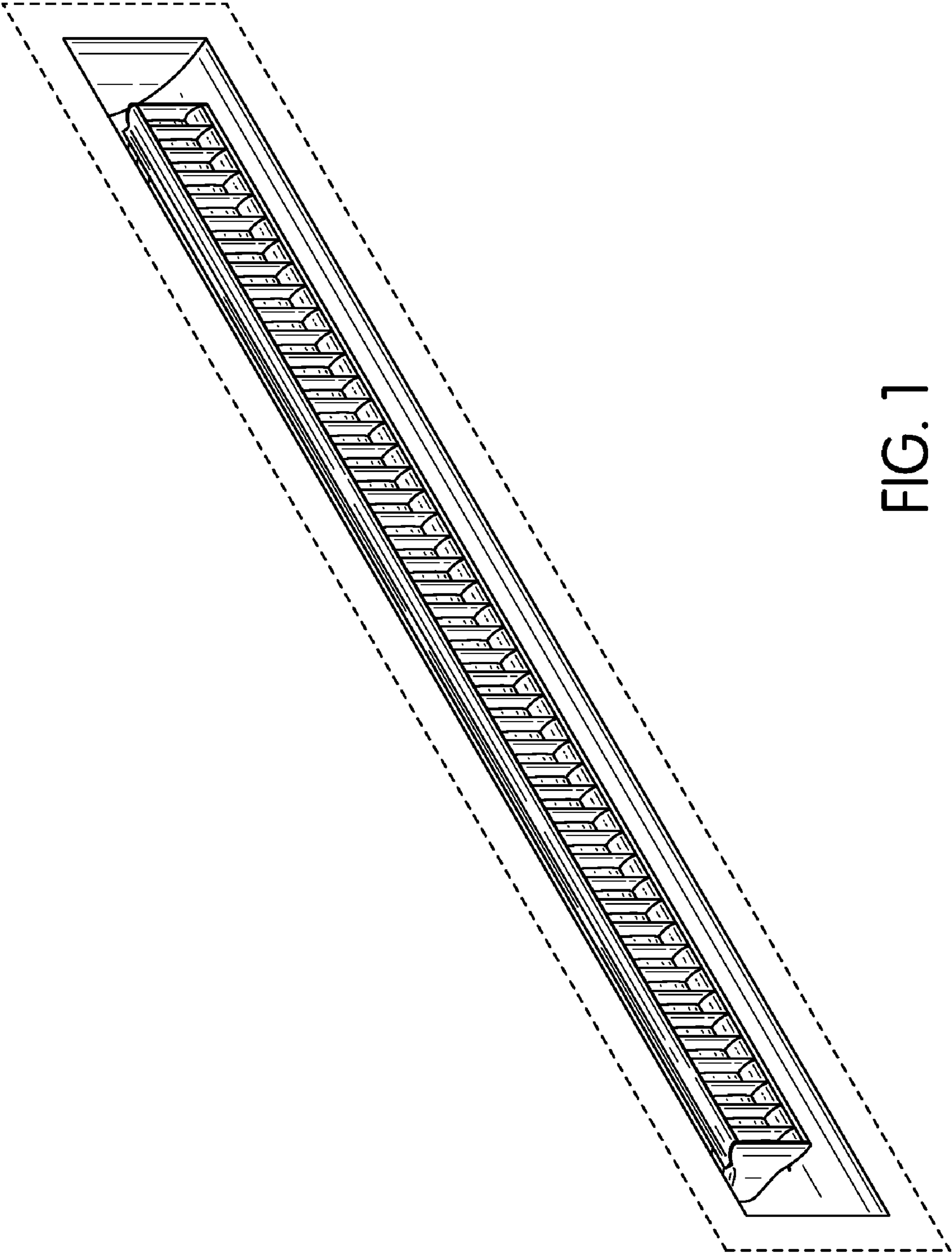


FIG. 1

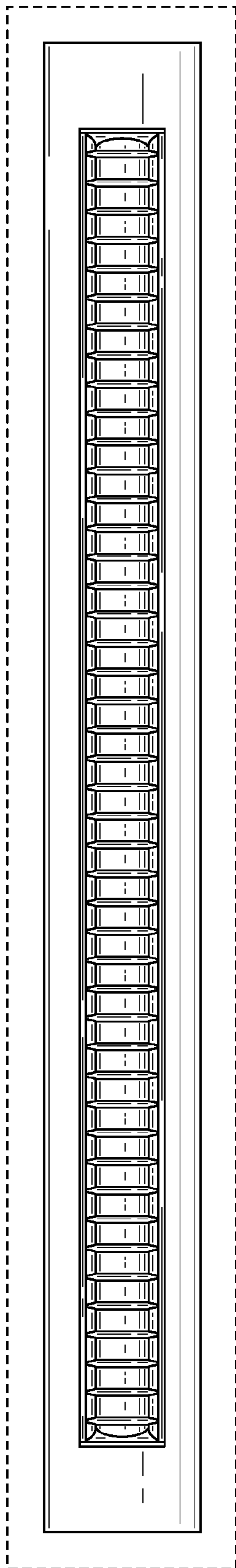


FIG. 2

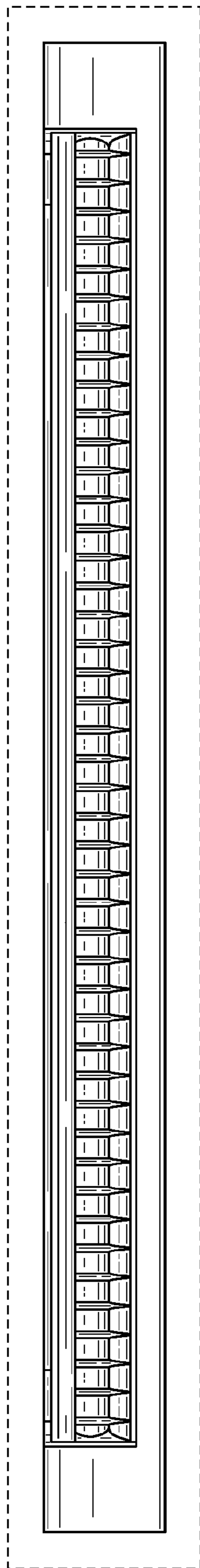


FIG. 3

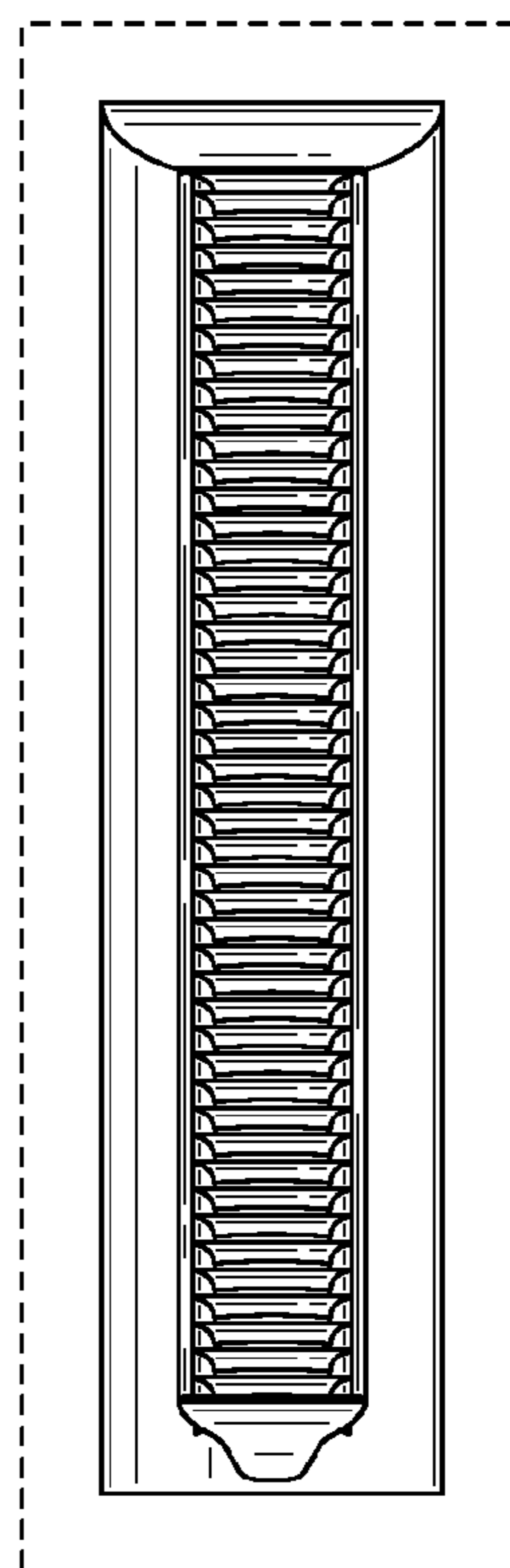


FIG. 4