

US00D597245S

(12) **United States Design Patent**
Trumble et al.

(10) **Patent No.:** **US D597,245 S**
(45) **Date of Patent:** **** Jul. 28, 2009**

(54) **SWING LAMP**

D422,737 S * 4/2000 Orozco D26/85
D580,089 S * 11/2008 Ly et al. D26/88

(75) Inventors: **James B. Trumble**, Royal Oak, MI (US); **Erin D. Lavigne**, St. Catharines (CA); **Matthew D. Bettiker**, Medina, OH (US)

OTHER PUBLICATIONS

“Curva” model #E20524-10 shown on p. 23 of the ET2 Lighting—Jun. 2007 Supplemental Catalog.*

(73) Assignee: **Altair Engineering, Inc.**, Troy, MI (US)

* cited by examiner

(**) Term: **14 Years**

Primary Examiner—Clare E Heflin

(21) Appl. No.: **29/326,804**

(74) *Attorney, Agent, or Firm*—Young Basile

(22) Filed: **Oct. 24, 2008**

(57) **CLAIM**

The ornamental design for a swing lamp, as shown and described.

(51) **LOC (9) Cl.** **26-03**

(52) **U.S. Cl.** **D26/90**

(58) **Field of Classification Search** D26/75,
D26/76, 79, 81, 83, 84, 85, 86, 88–91, 118,
D26/138, 141; 362/147, 404–408

DESCRIPTION

See application file for complete search history.

FIG. 1 is a front perspective view of a swing lamp embodying the ornamental design constituting our invention;

FIG. 2 is a front view of the swing lamp of FIG. 1;

FIG. 3 is a rear view of the swing lamp of FIG. 1;

FIG. 4 is a left-side elevational view of the swing lamp of FIG. 1;

FIG. 5 is a right-side elevational view of the swing lamp of FIG. 1;

FIG. 6 is a bottom view of the swing lamp of FIG. 1; and,

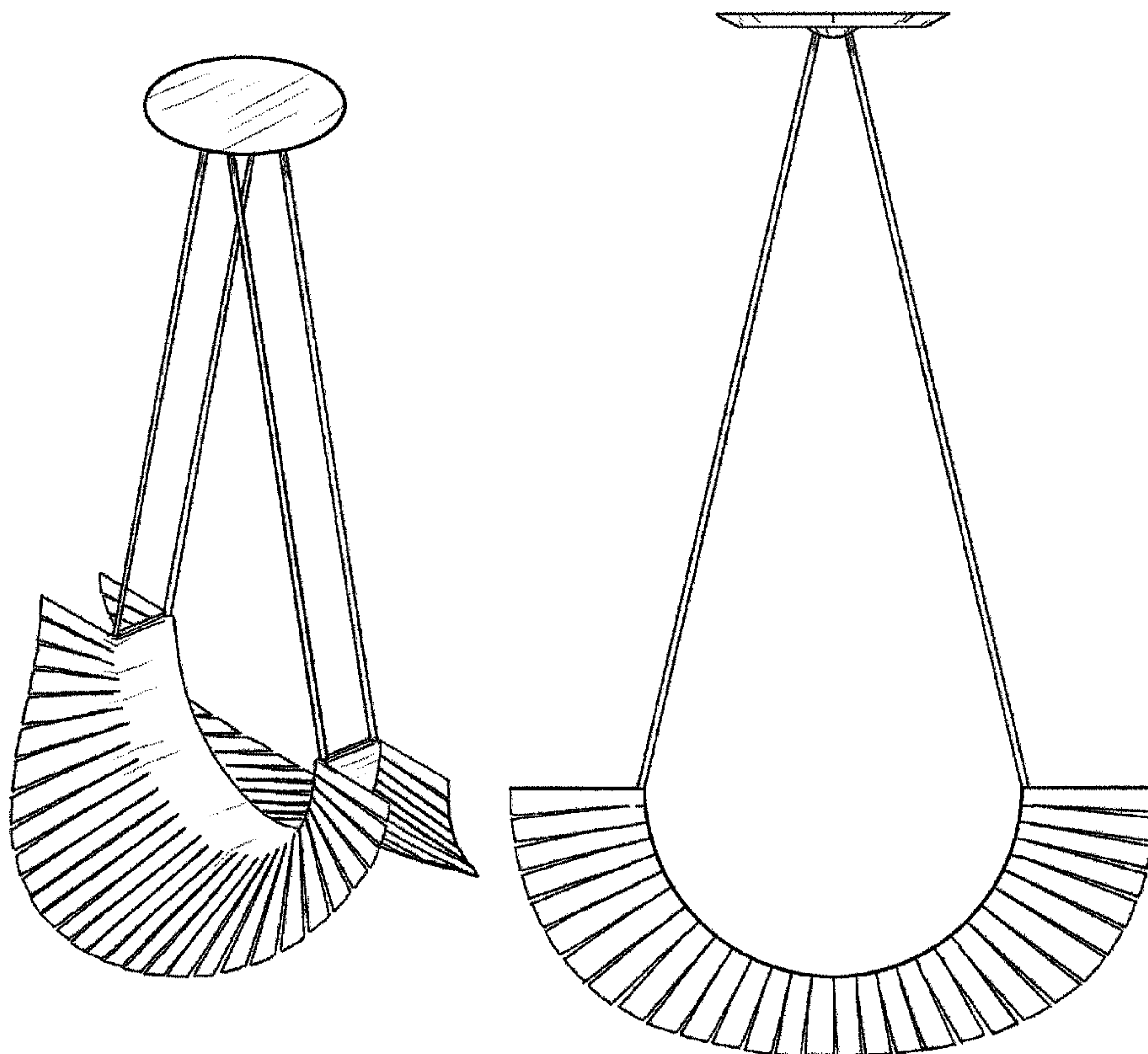
FIG. 7 is a top view of the swing lamp of FIG. 1.

(56) **References Cited**

U.S. PATENT DOCUMENTS

D54,511 S *	2/1920	Owen	D26/88
D58,105 S *	6/1921	Poritz	D26/81
D80,419 S *	1/1930	Kramer	D26/81
D84,763 S *	7/1931	Stange	D26/88
D119,797 S *	4/1940	Winkler et al.	D26/88
D268,134 S *	3/1983	Zurcher	D26/91
D293,723 S *	1/1988	Buttner	D26/91

1 Claim, 7 Drawing Sheets



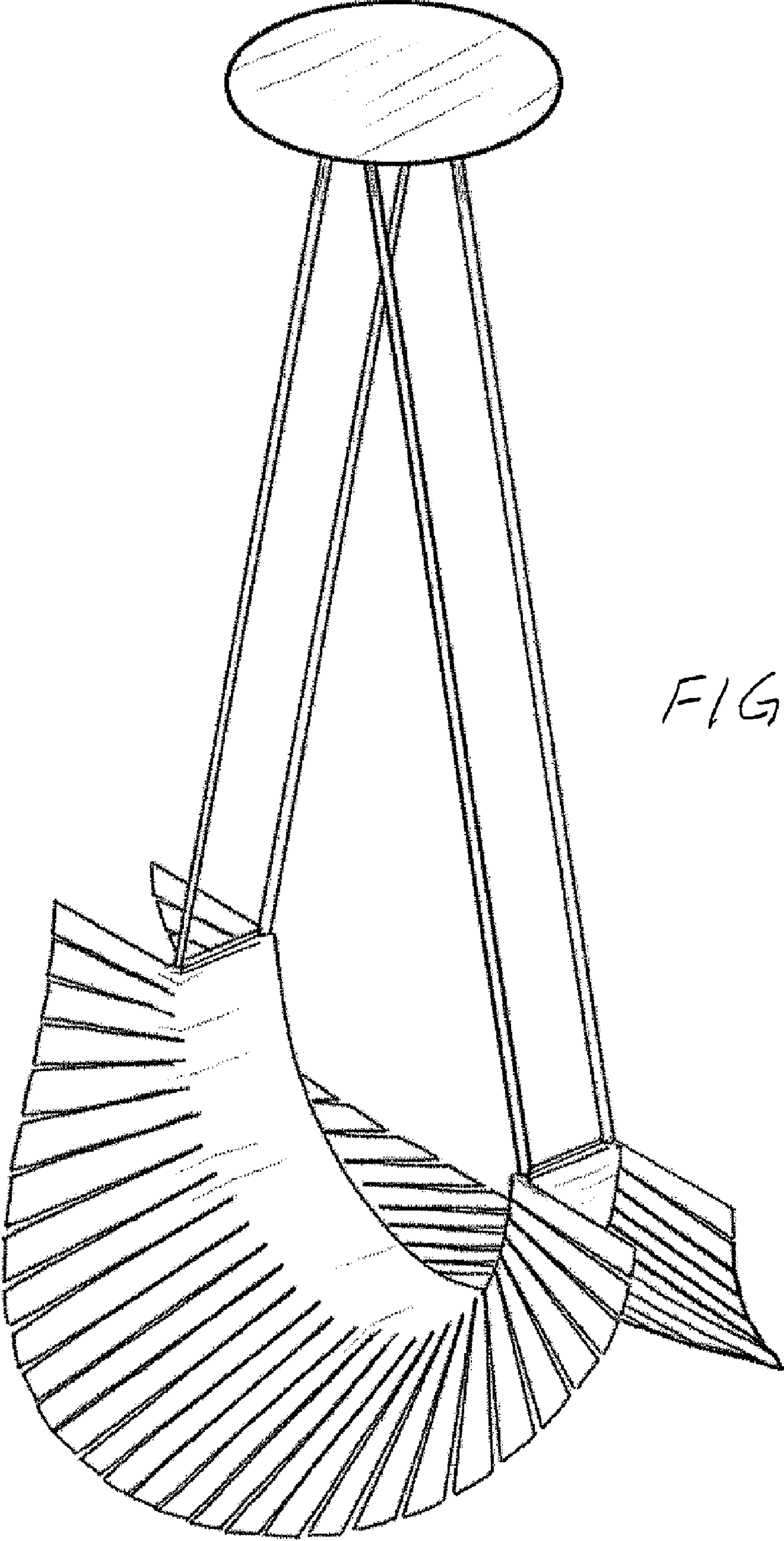


FIG-1

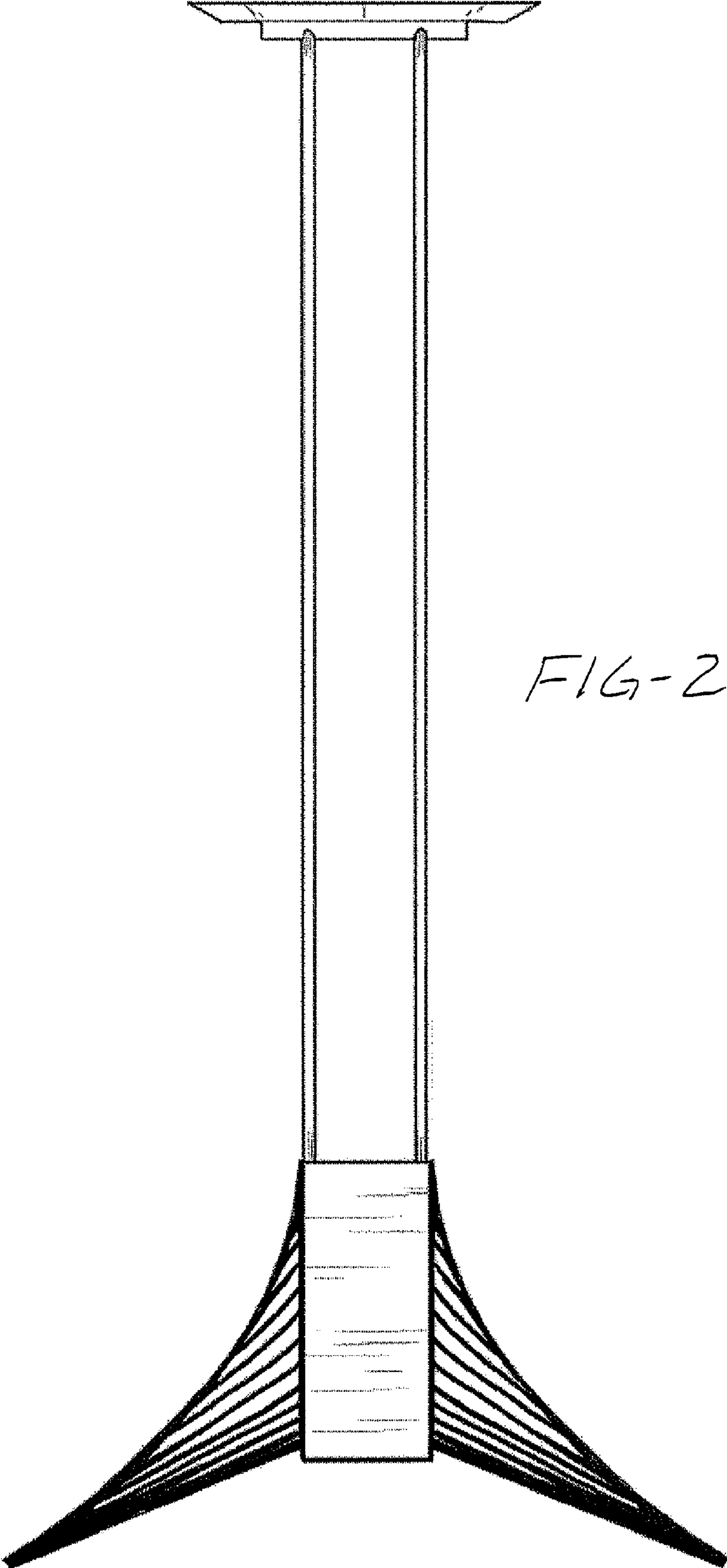


FIG-2

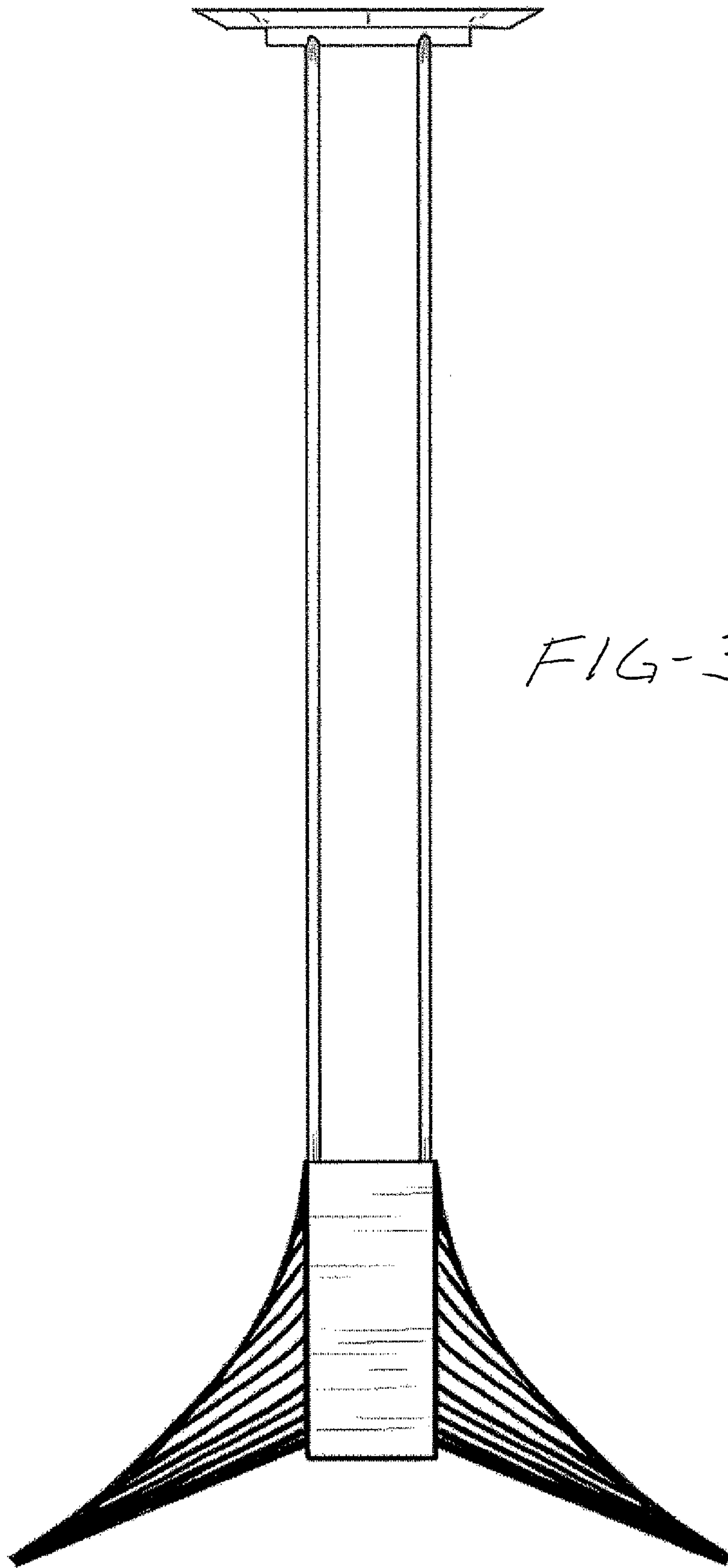


FIG-3

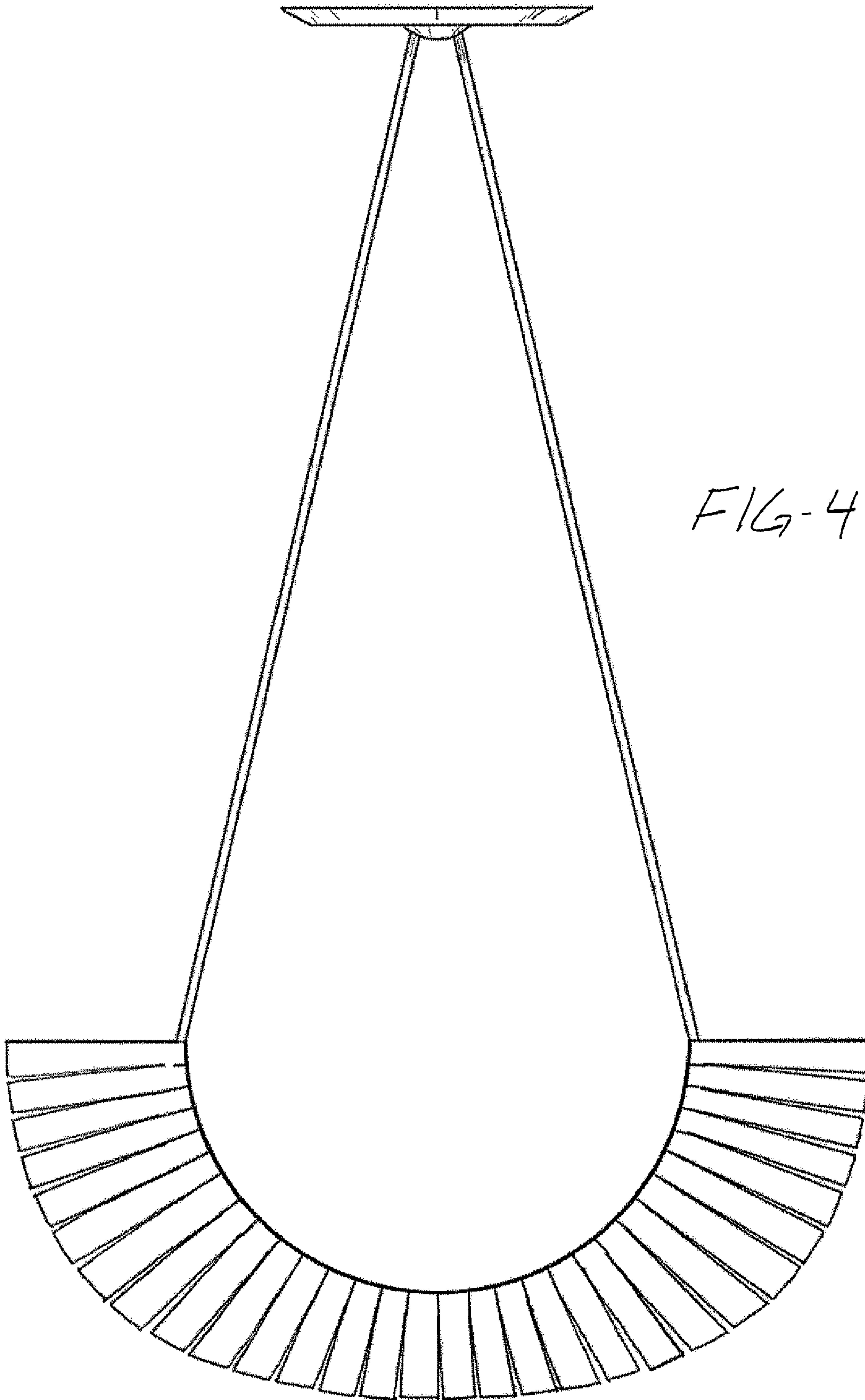
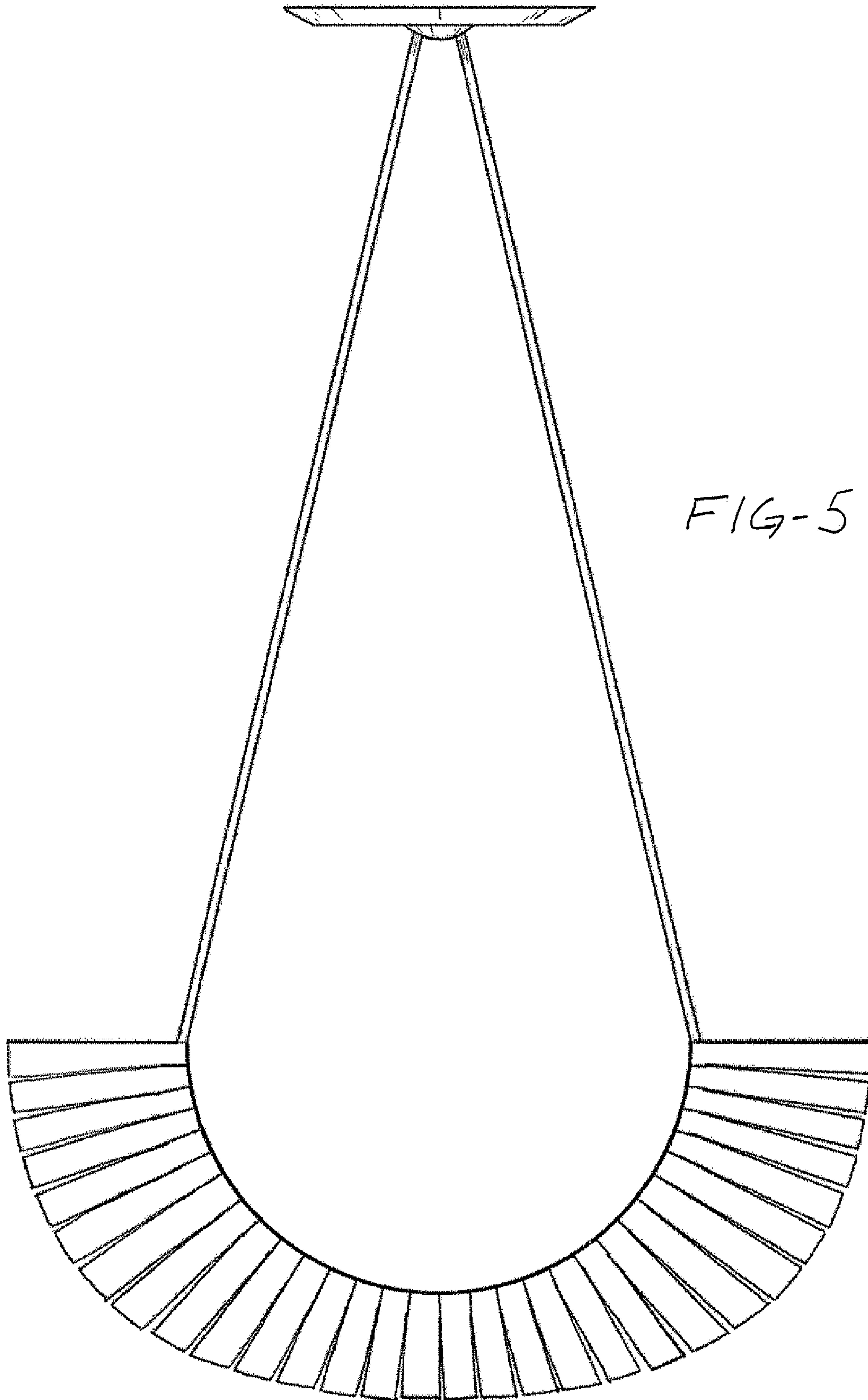


FIG-4



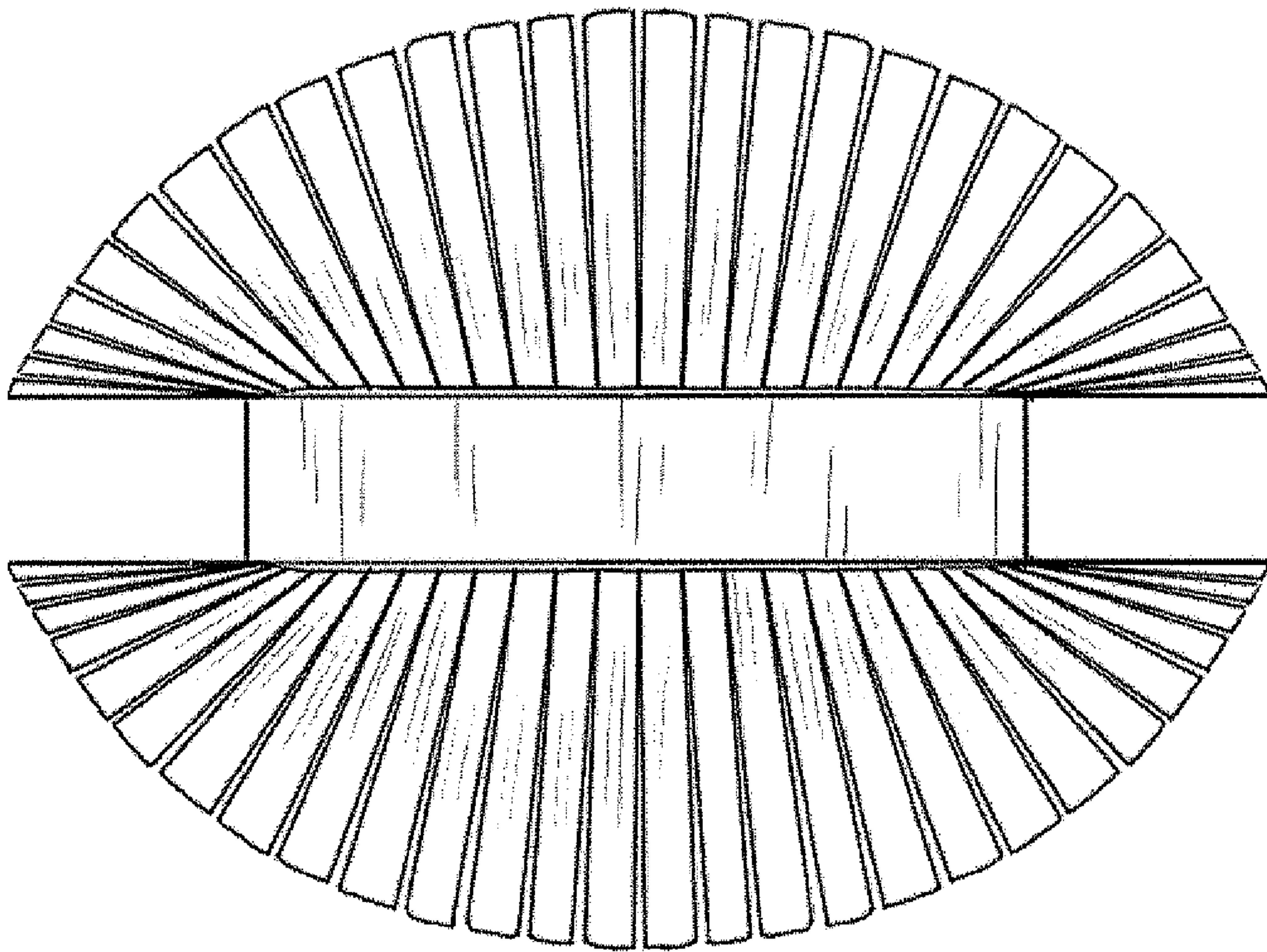


FIG-6

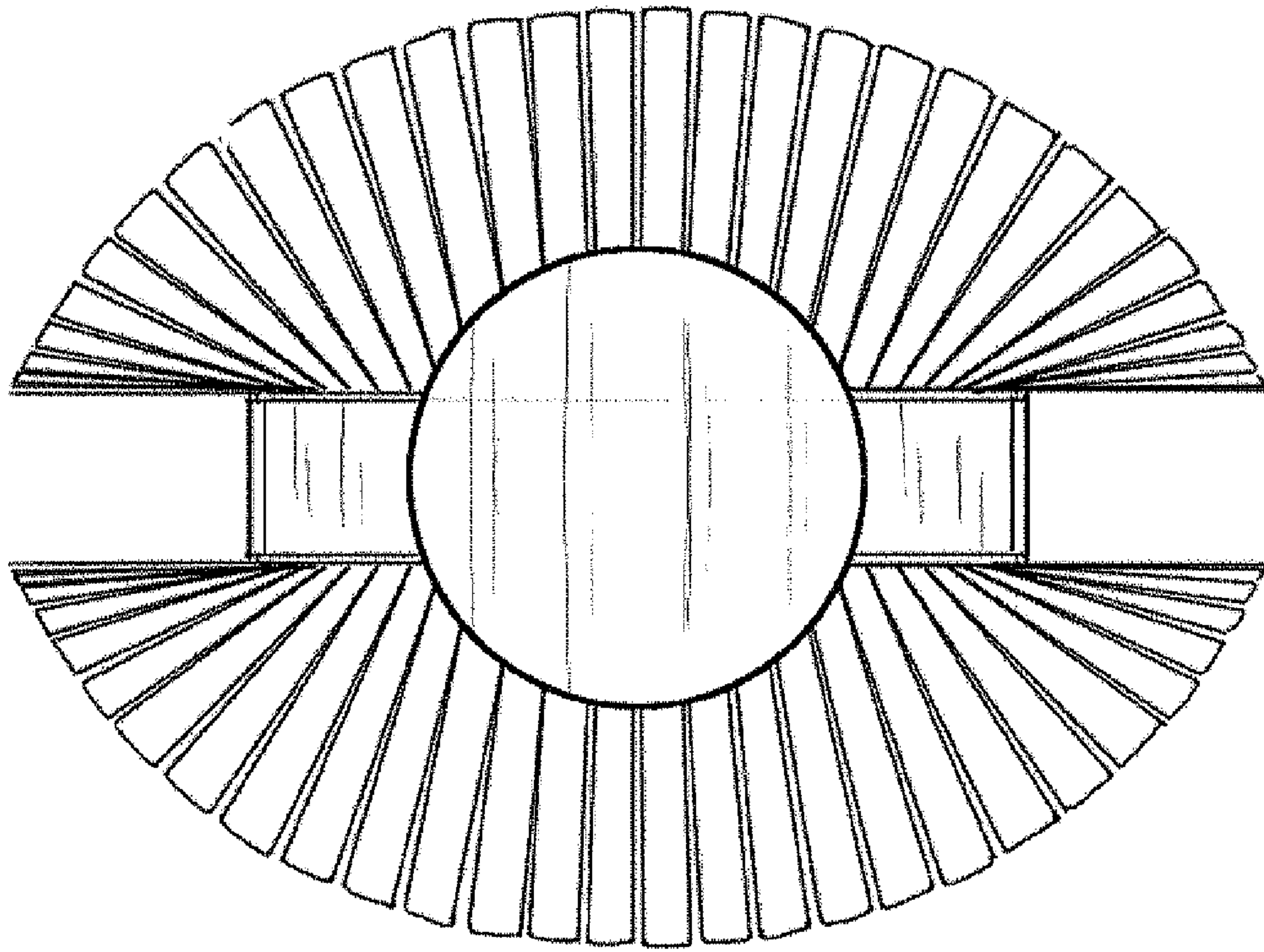


FIG-7