



US00D597243S

(12) **United States Design Patent**
Trumble et al.

(10) **Patent No.:** **US D597,243 S**
(45) **Date of Patent:** **** Jul. 28, 2009**

(54) **LAMP**

(75) Inventors: **James B. Trumble**, Royal Oak, MI (US); **Erin D. Lavigne**, St. Catharines, CA (US); **Matthew D. Bettiker**, Medina, OH (US)

(73) Assignee: **Altair Engineering, Inc.**, Troy, MI (US)

(**) Term: **14 Years**

(21) Appl. No.: **29/326,794**

(22) Filed: **Oct. 24, 2008**

(51) **LOC (9) Cl.** **26-03**

(52) **U.S. Cl.** **D26/84; D26/90**

(58) **Field of Classification Search** D26/75,
D26/76, 79, 81, 83, 84, 85, 86, 88-91, 118,
D26/138, 141; 362/147, 404-408

See application file for complete search history.

(56) **References Cited**

U.S. PATENT DOCUMENTS

D58,105 S *	6/1921	Poritz	D26/81
D79,814 S *	11/1929	Hoch	D26/81
D556,937 S *	12/2007	Ly	D26/88
D557,854 S *	12/2007	Lewis	D26/81
D563,589 S *	3/2008	Hariri et al.	D26/88

OTHER PUBLICATIONS

“Elegance” contemporary pendant. Model #PLC-96978-PC from PLC Lighting. Downloaded from www.arcadianlighting.com Feb. 27, 2009.*

“Starburst” pendant. Model #E20112-22 shown on p. 79 of the ET2 Lighting 2007 Catalog.*

“Larmes” pendant. Model #E20116-18 shown on p. 66 of the ET2 Lighting 2007 Catalog.*

“Crystal Forest” flushmount. Model #E20081-20 shown on p. 34 of the ET2 Lighting 2007 Catalog.*

* cited by examiner

Primary Examiner—Clare E Heflin

(74) *Attorney, Agent, or Firm*—Young Basile

(57) **CLAIM**

The ornamental design for a lamp, as shown and described.

DESCRIPTION

FIG. 1 is a front perspective view of a lamp embodying the ornamental design constituting our invention;

FIG. 2 is a front view of the lamp of FIG. 1;

FIG. 3 is a rear view of the lamp of FIG. 1;

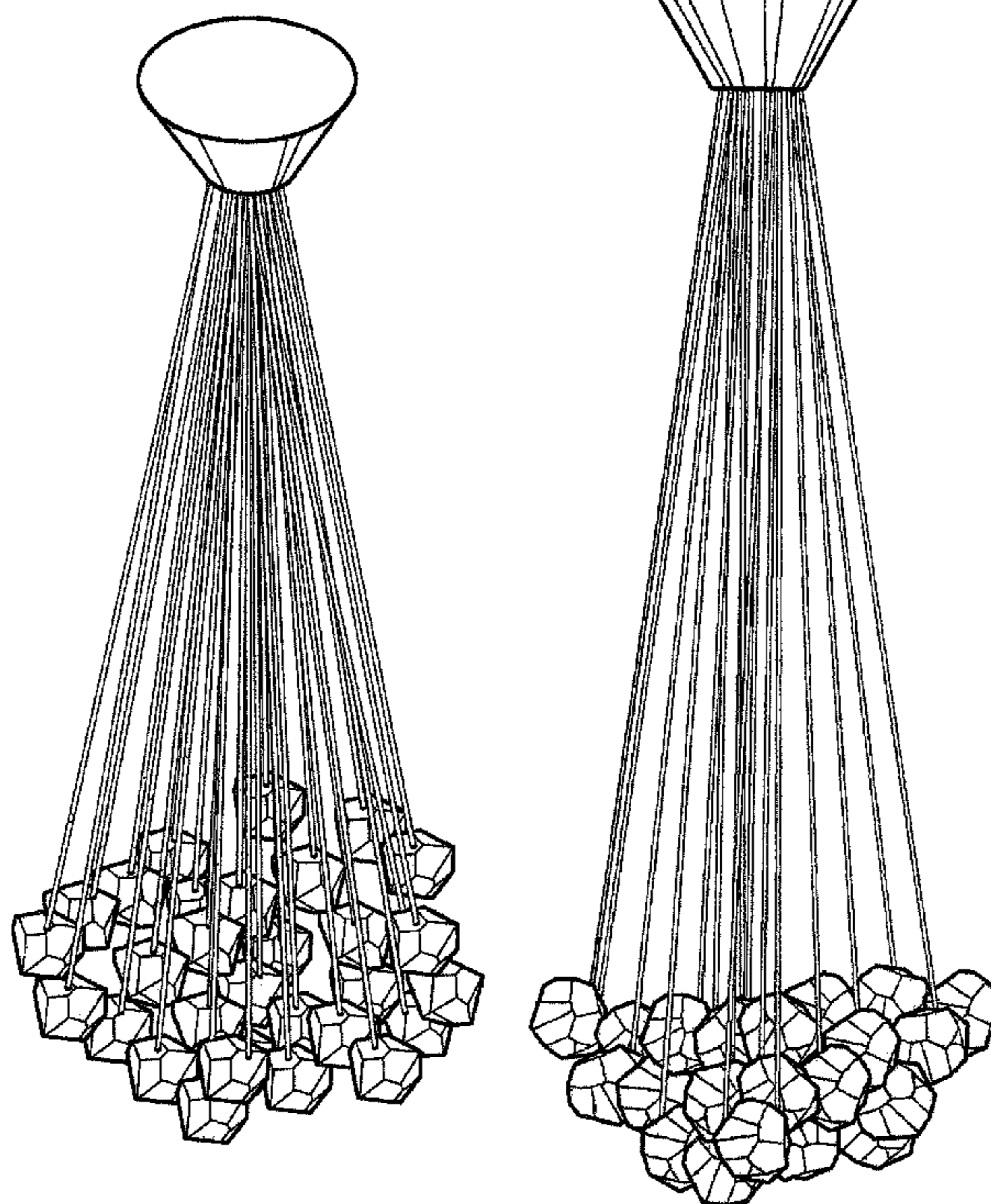
FIG. 4 is a left-side elevational view of the lamp of FIG. 1;

FIG. 5 is a right-side elevational view of the lamp of FIG. 1;

FIG. 6 is a bottom view of the lamp of FIG. 1; and,

FIG. 7 is a top view of the lamp of FIG. 1.

1 Claim, 7 Drawing Sheets



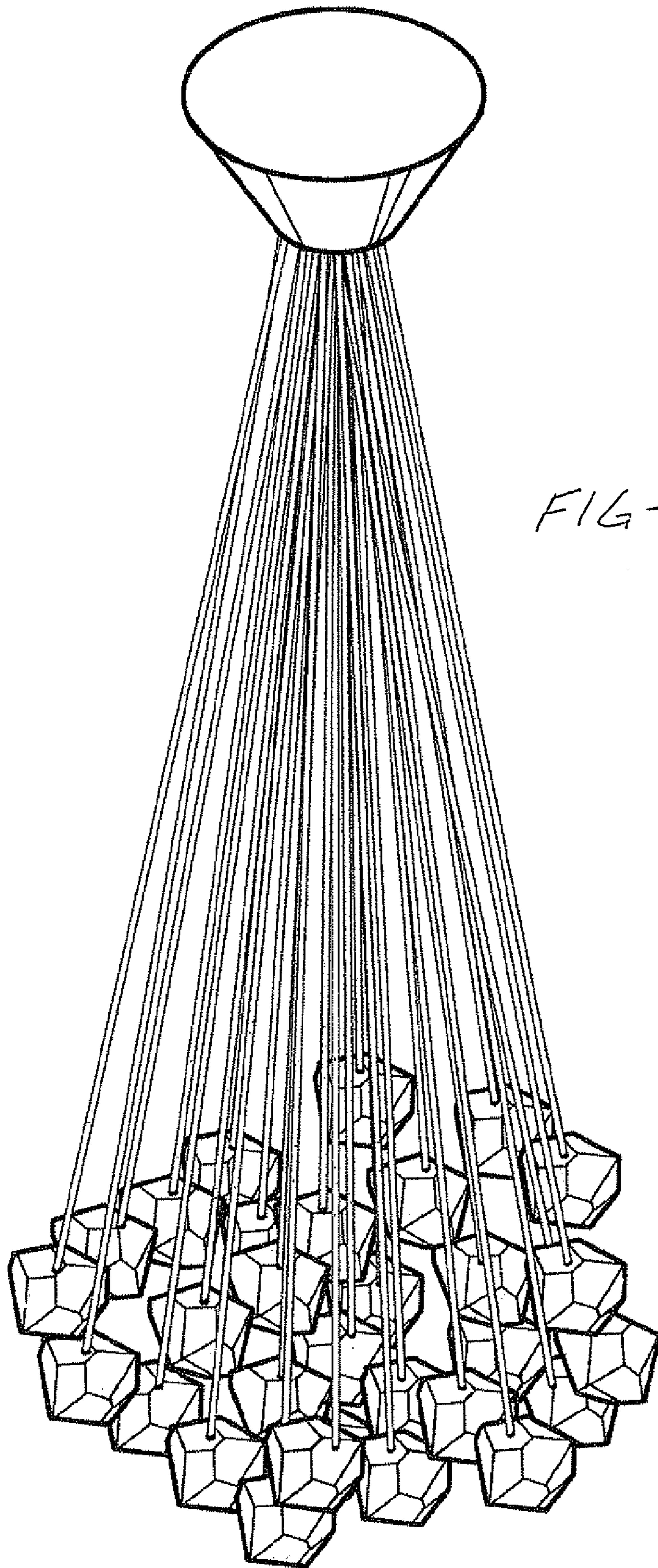


FIG-1

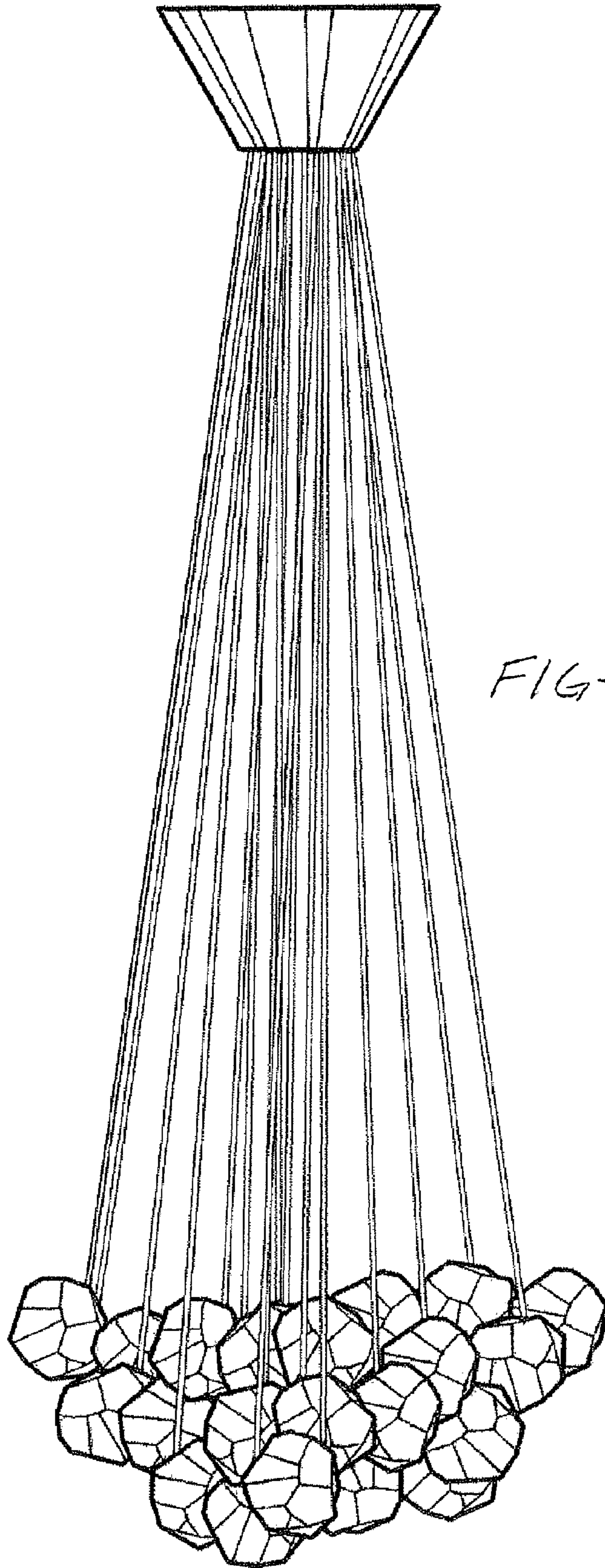


FIG-2

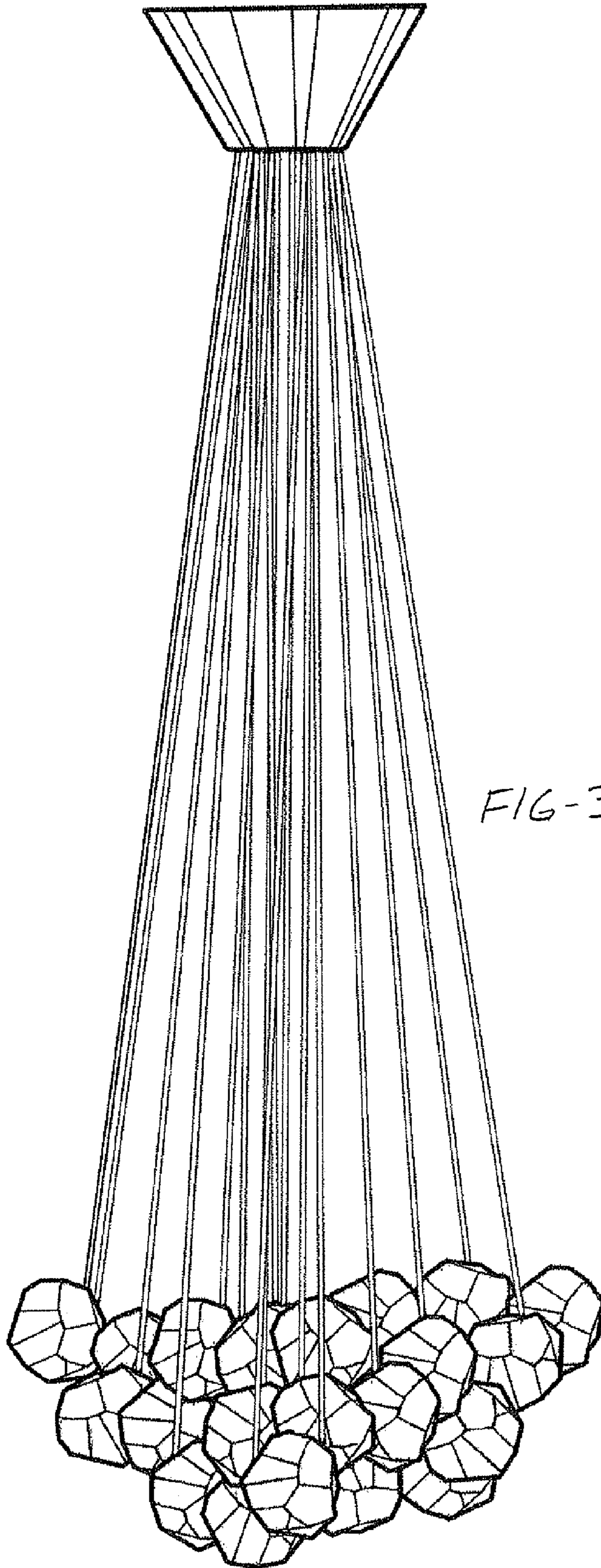


FIG-3

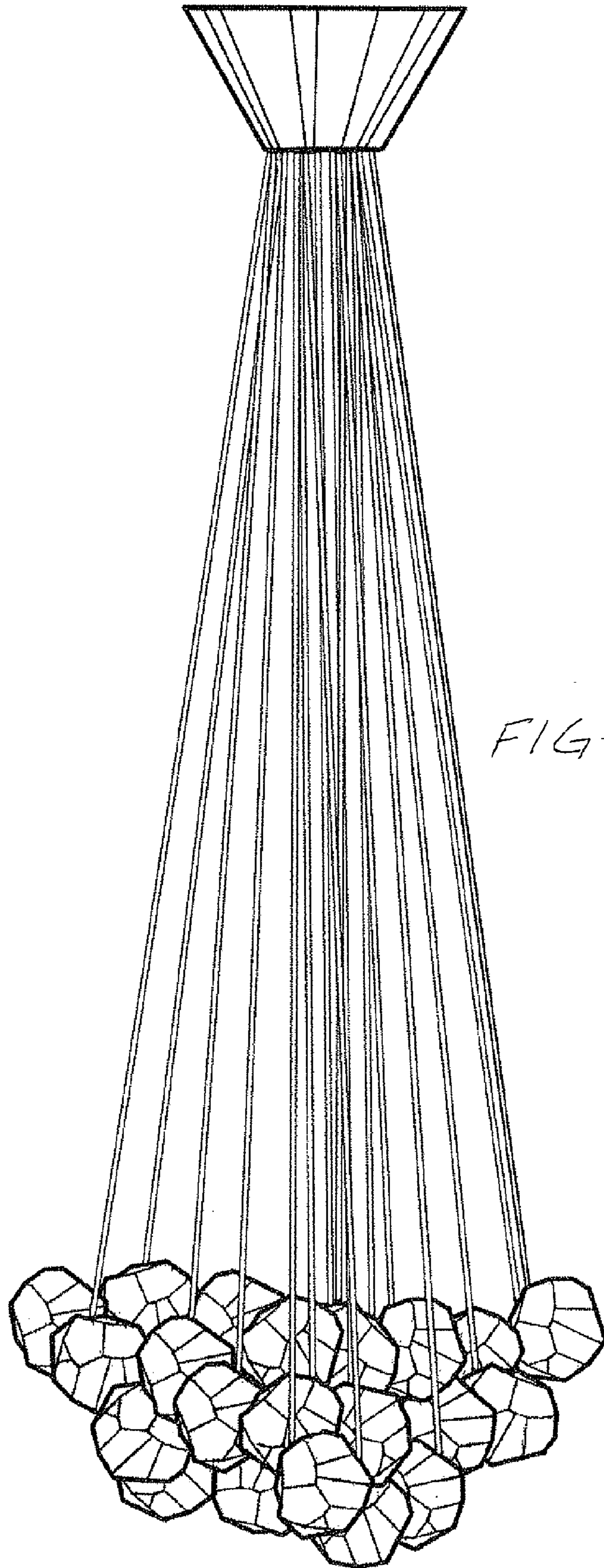


FIG-4

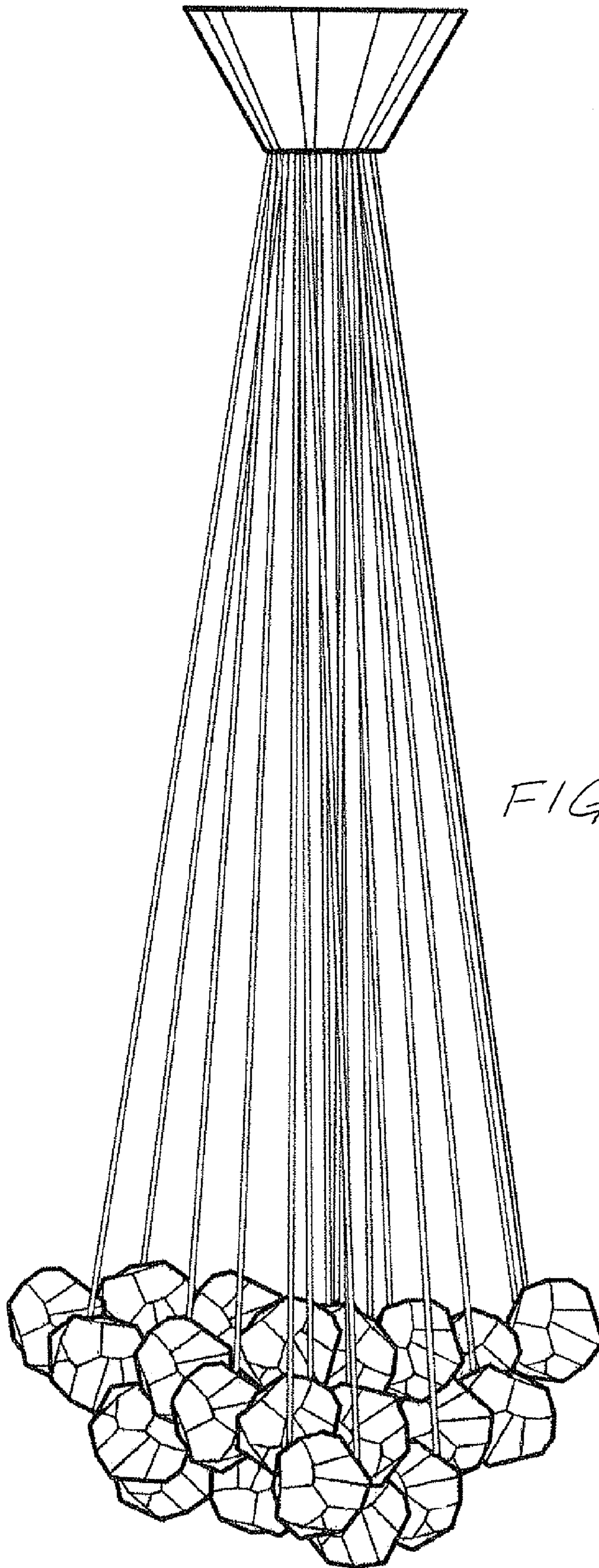


FIG-5

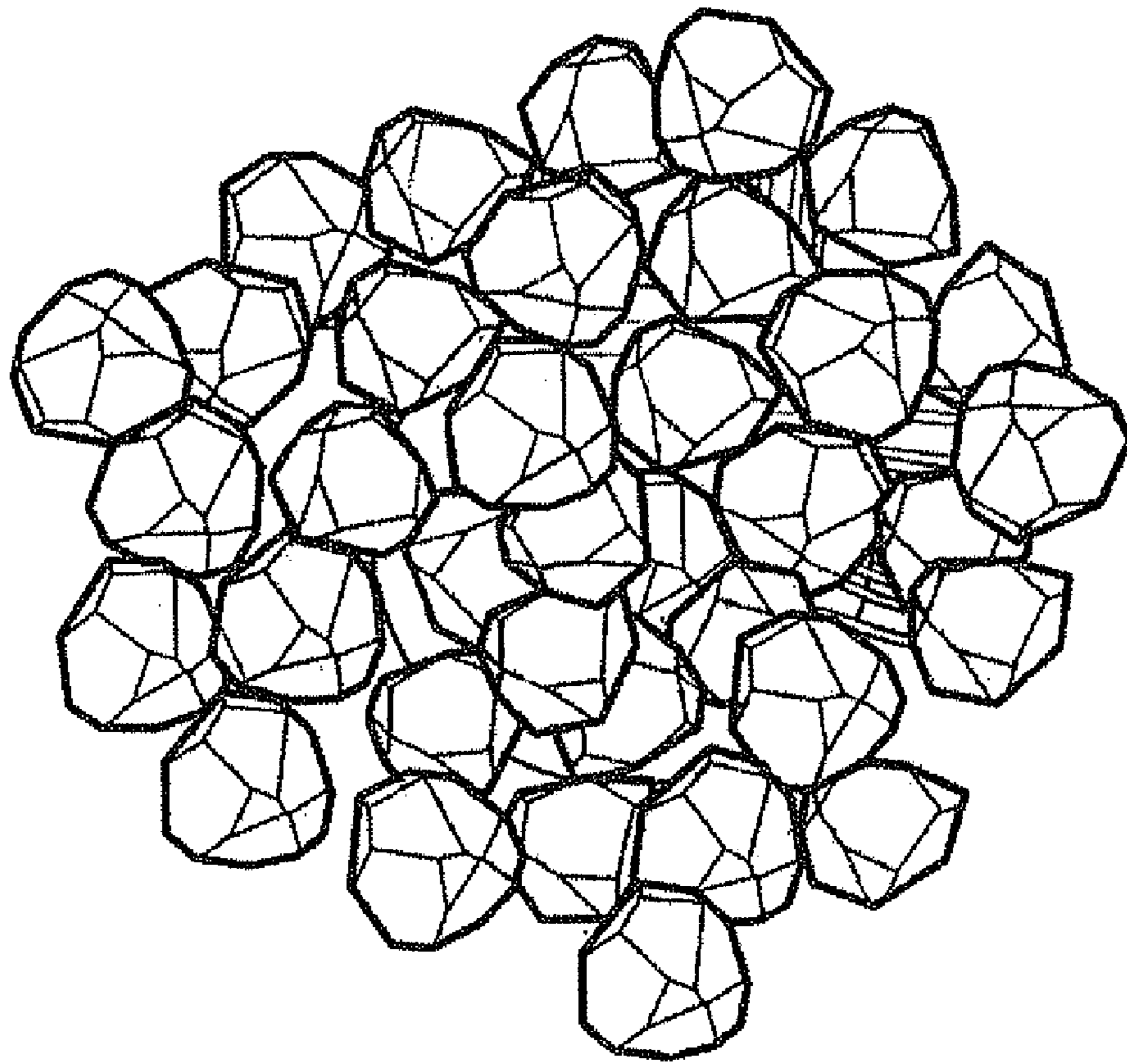


FIG-6

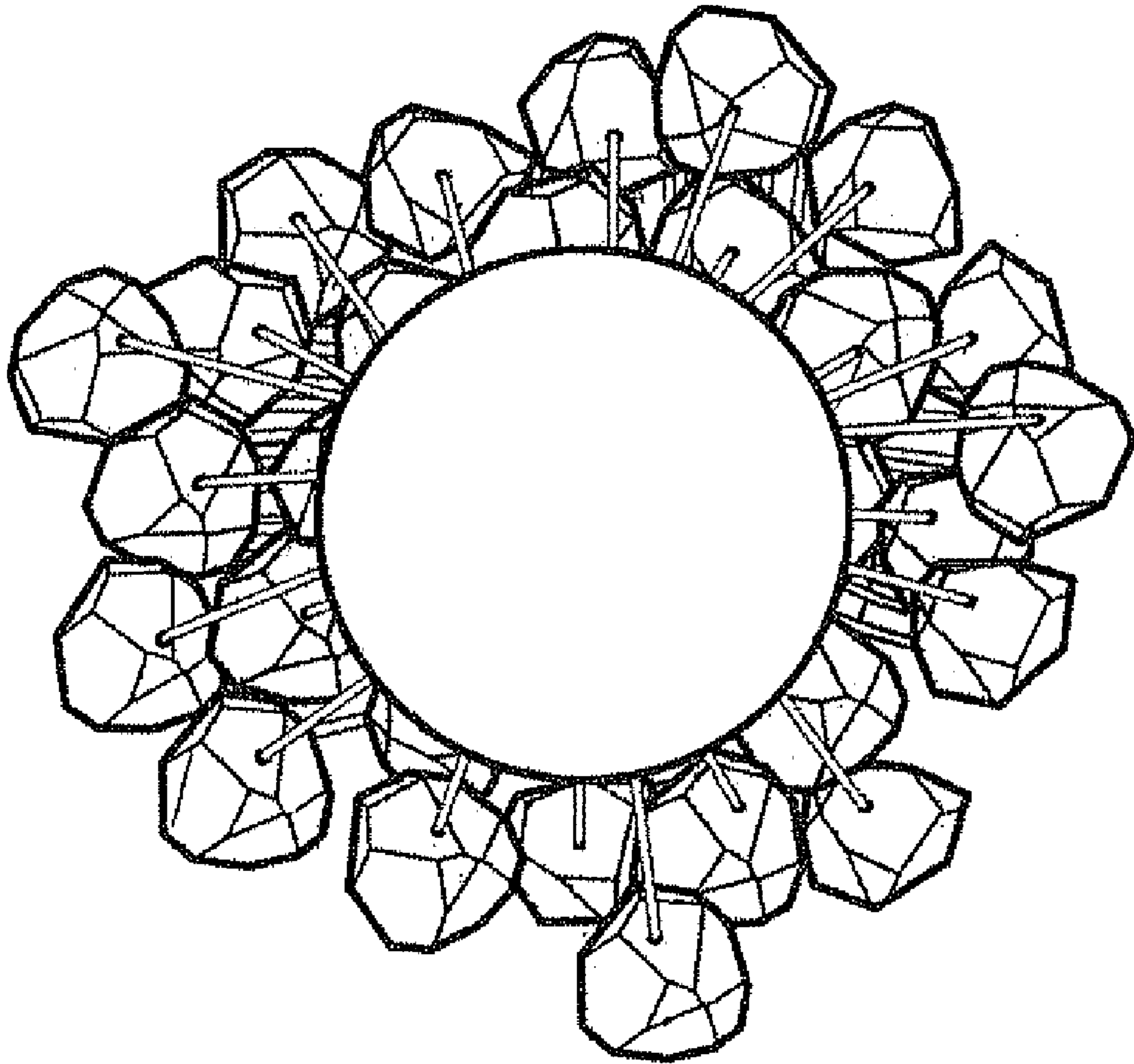


FIG-7