

US00D597240S

(12) **United States Design Patent**  
**Hodgson**

(10) **Patent No.:** **US D597,240 S**

(45) **Date of Patent:** **\*\* Jul. 28, 2009**

(54) **MAGNIFYING LAMP**

(75) Inventor: **Fraser Hodgson**, London (GB)

(73) Assignee: **The Daylight Company (Holdings) Limited** (GB)

(\*\*) Term: **14 Years**

(21) Appl. No.: **29/296,948**

(22) Filed: **Oct. 31, 2007**

(30) **Foreign Application Priority Data**

May 11, 2007 (EM) ..... 000724174

(51) **LOC (9) Cl.** ..... **26-05**

(52) **U.S. Cl.** ..... **D26/65**

(58) **Field of Classification Search** ..... D26/24,  
D26/37, 43, 44, 51, 56, 60-66, 71, 72, 85,  
D26/93, 107, 118, 138; 362/410, 413, 414,  
362/419, 427, 285, 287, 282, 277, 275, 274,  
362/271, 270, 269, 431, 401, 402, 251; D13/110,  
D13/133, 139.2; D16/135; D10/106  
See application file for complete search history.

(56) **References Cited**

**U.S. PATENT DOCUMENTS**

D275,037 S \* 8/1984 Saferstein et al. .... D26/51  
D284,087 S \* 6/1986 Haidinger ..... D16/135

D295,287 S \* 4/1988 Krogsrud et al. .... D16/135  
4,796,162 A \* 1/1989 Krogsrud ..... 362/33  
4,958,913 A \* 9/1990 Schaffer ..... 359/819  
D331,985 S \* 12/1992 Schaffer ..... D26/65  
D334,759 S \* 4/1993 Meyer et al. .... D16/135  
D382,577 S \* 8/1997 Waldmann ..... D16/135  
D463,054 S \* 9/2002 Huang ..... D26/60  
D474,556 S \* 5/2003 Huang ..... D26/60  
D526,673 S \* 8/2006 Hodgson ..... D16/135

\* cited by examiner

*Primary Examiner*—Cathron C Brooks

*Assistant Examiner*—Barbara Fox

(74) *Attorney, Agent, or Firm*—Lawrence E. Laubscher, Jr.

(57) **CLAIM**

The ornamental design for a magnifying lamp, as shown.

**DESCRIPTION**

FIG. 1 is a front perspective view of the invention illustrating my design;

FIG. 2 is a left side elevation view thereof;

FIG. 3 is a right side elevation view thereof;

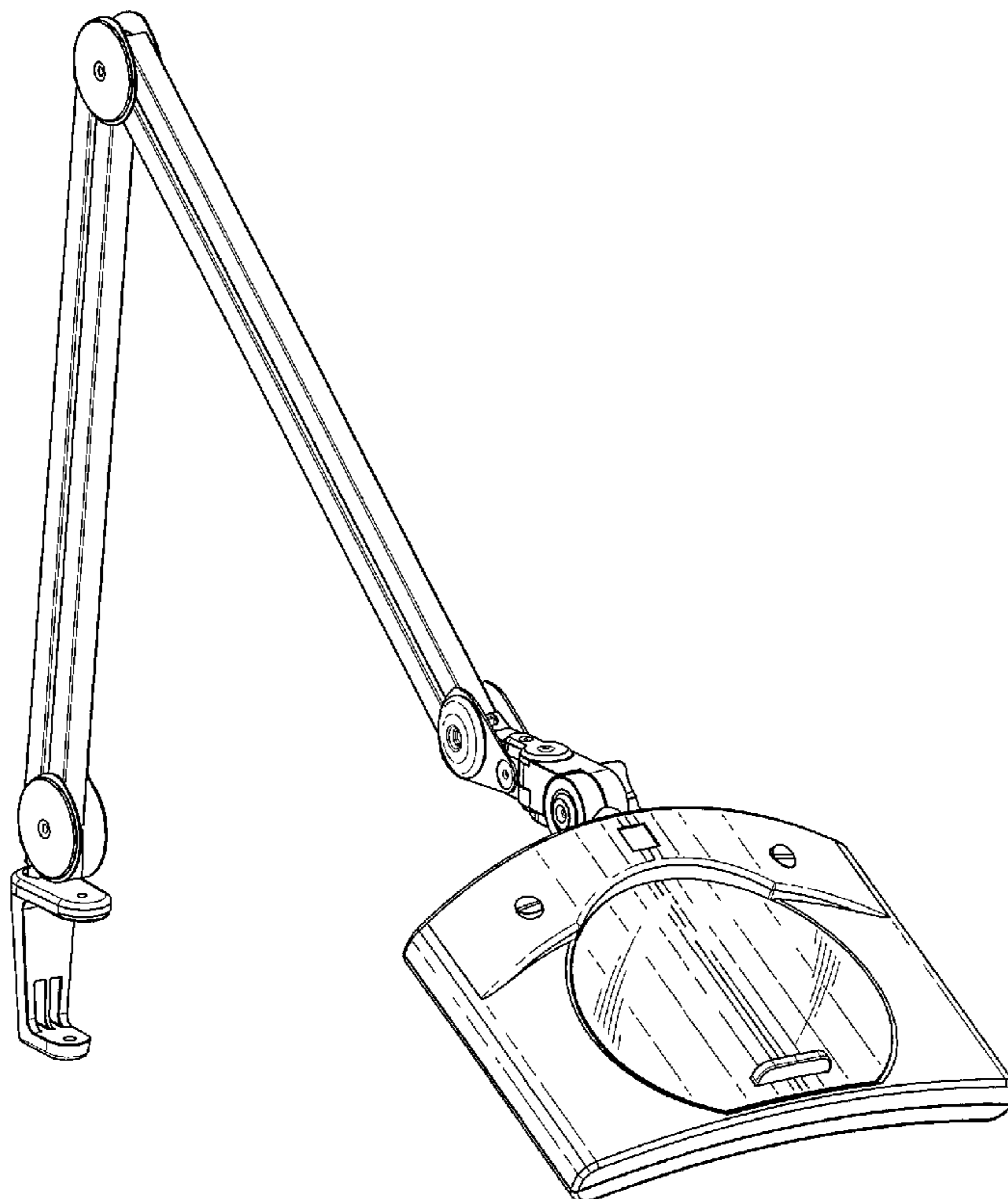
FIG. 4 is a top plan view thereof;

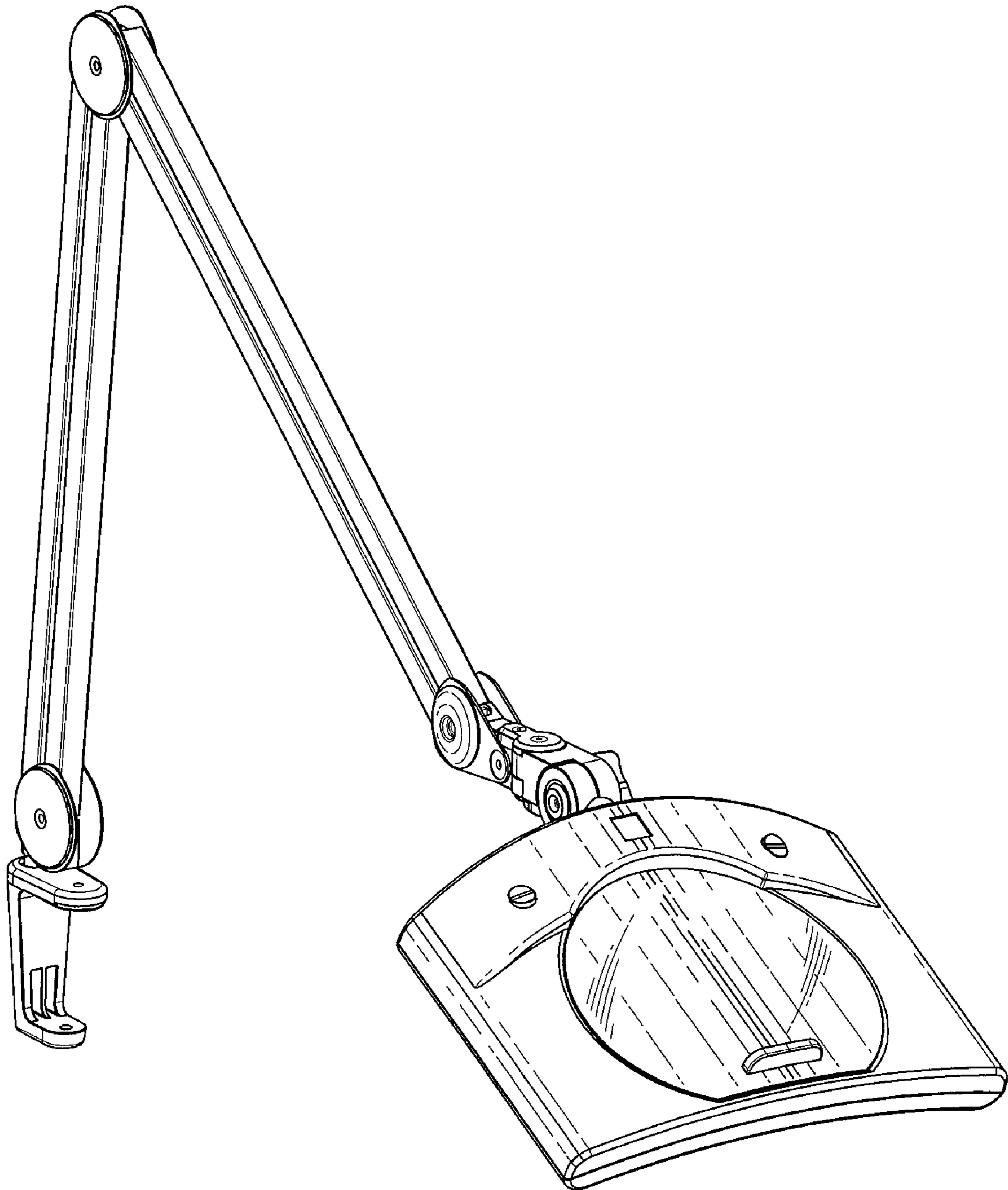
FIG. 5 is a bottom plan view thereof;

FIG. 6 is a front elevation view thereof; and,

FIG. 7 is a rear elevation view thereof.

**1 Claim, 7 Drawing Sheets**





**FIG. 1**

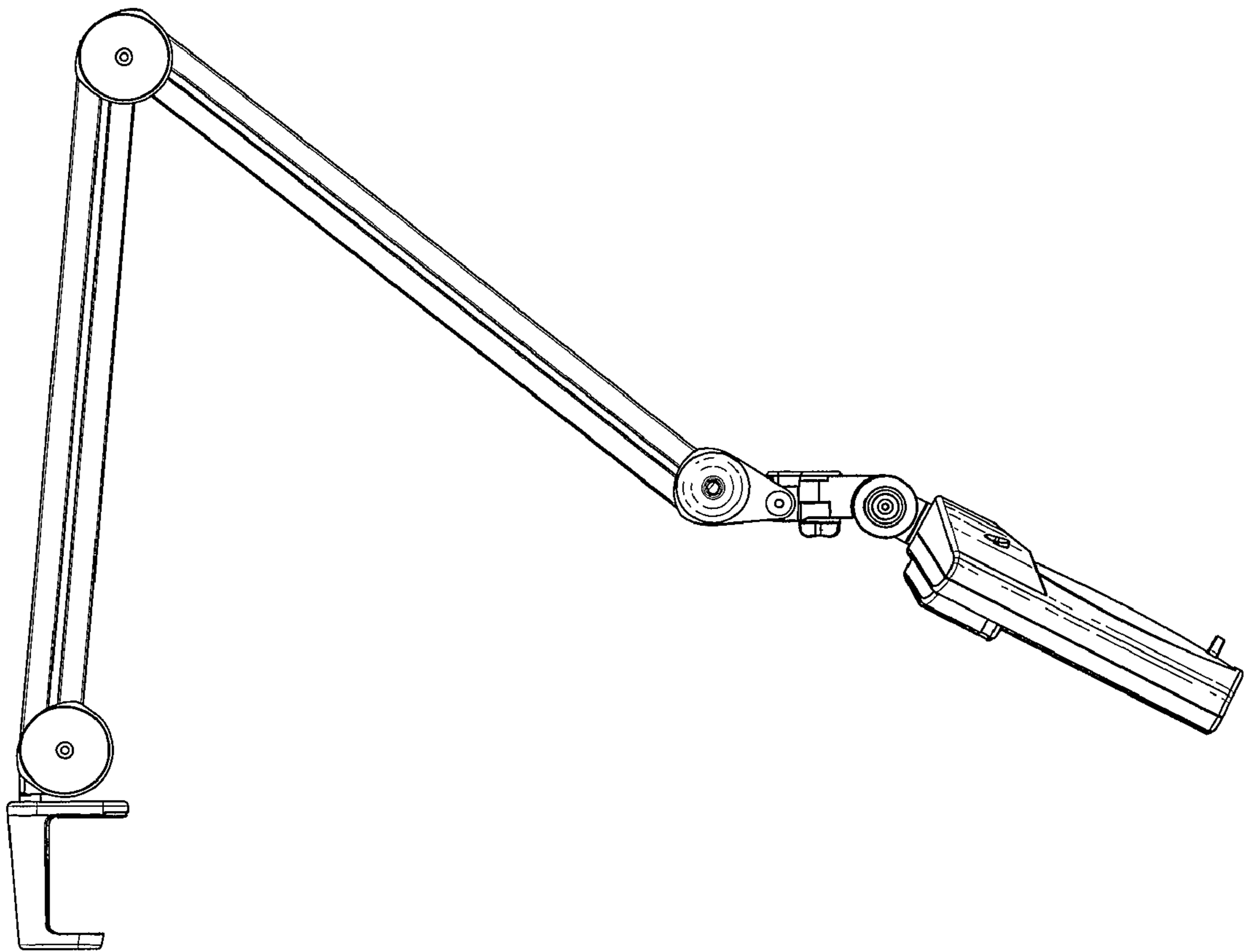


FIG. 2

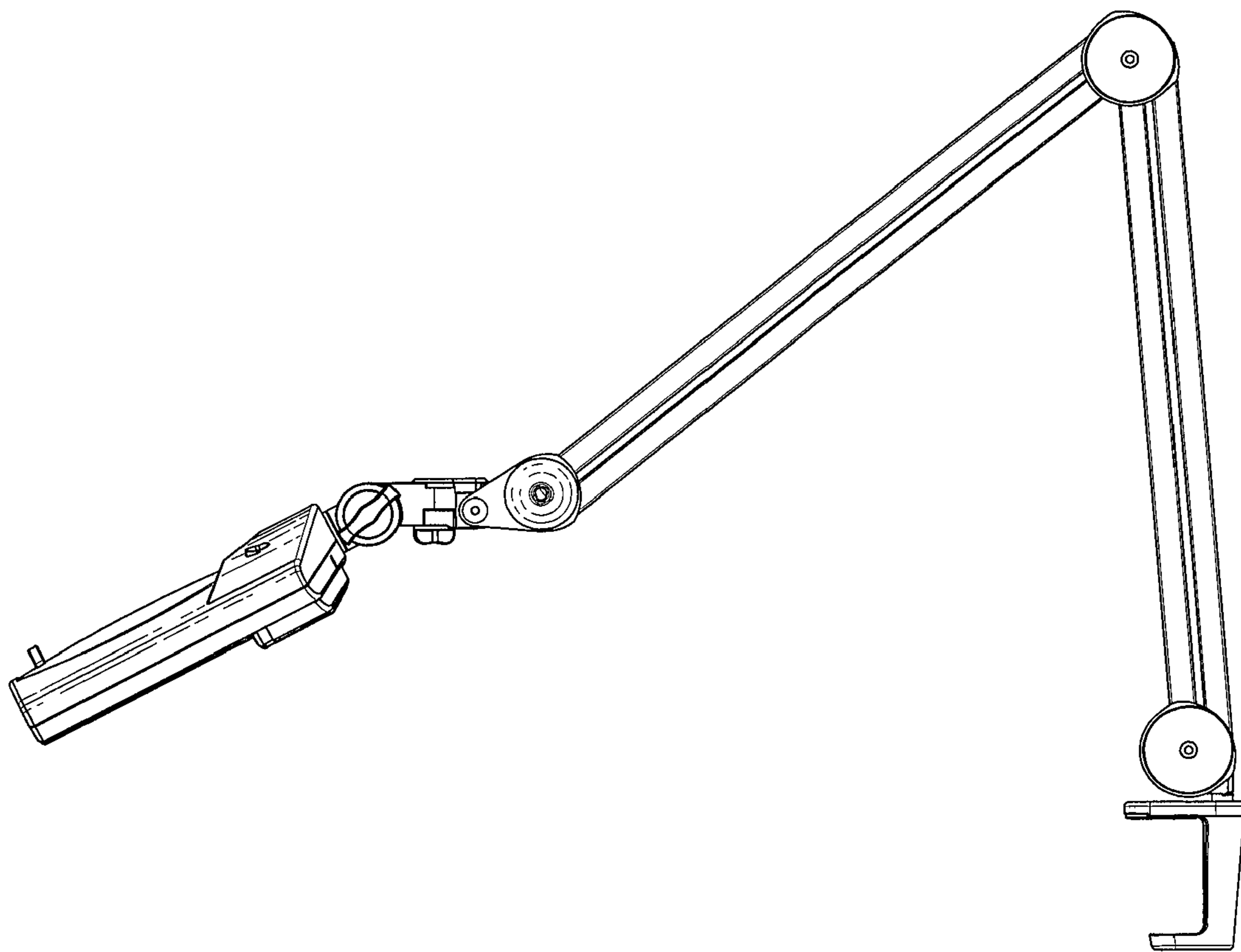


FIG. 3

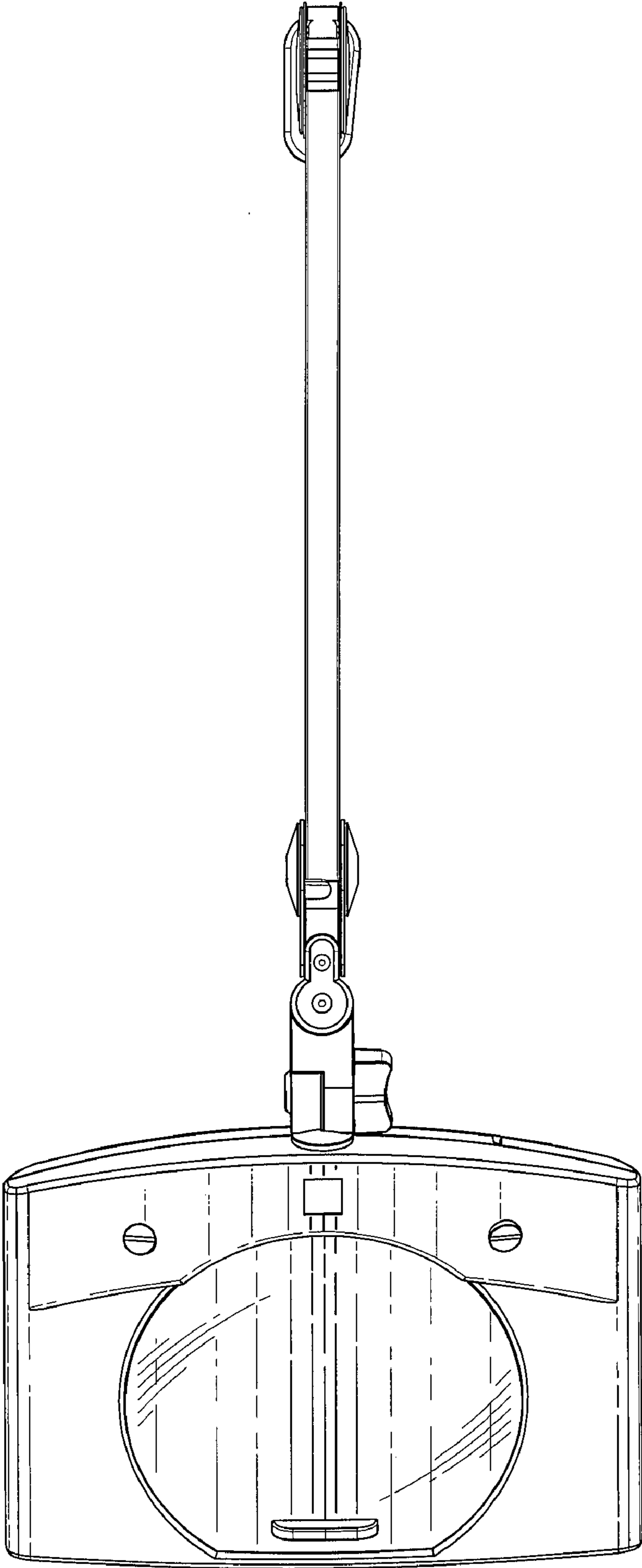


FIG. 4

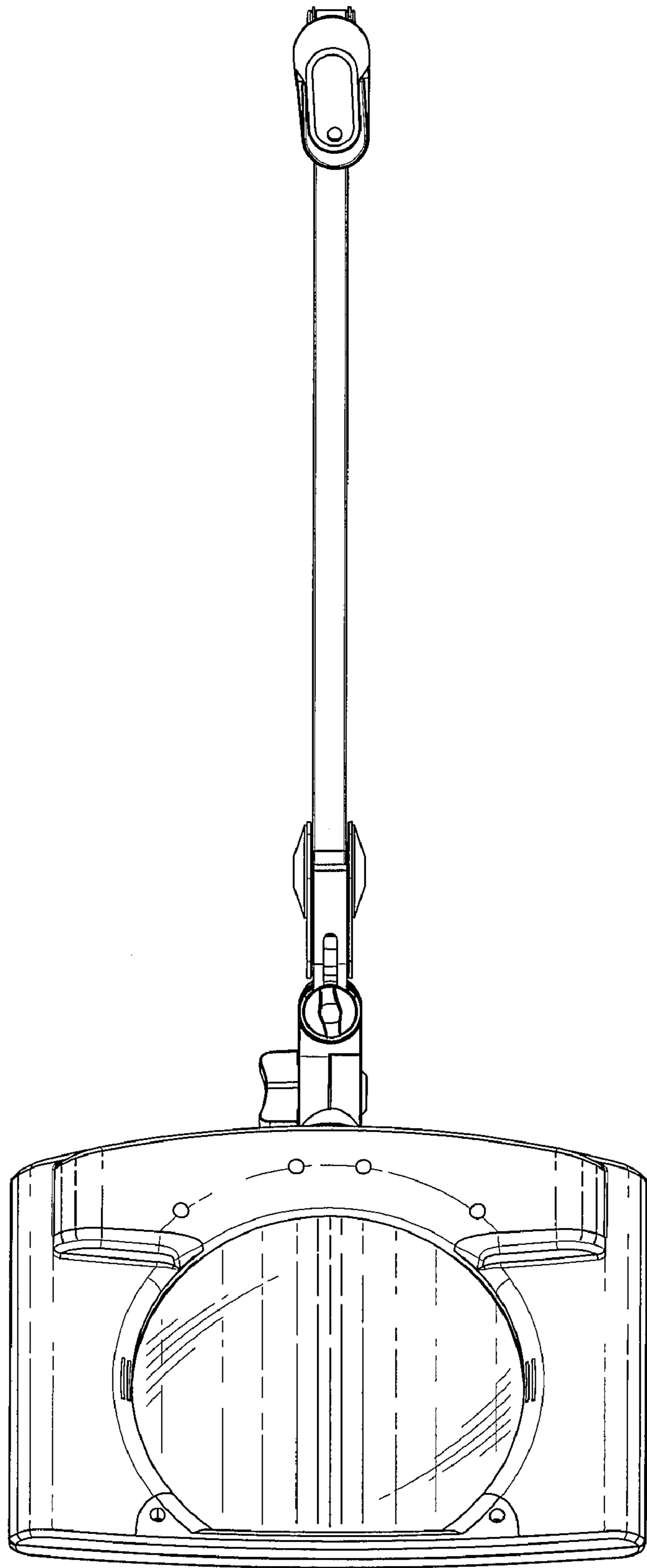
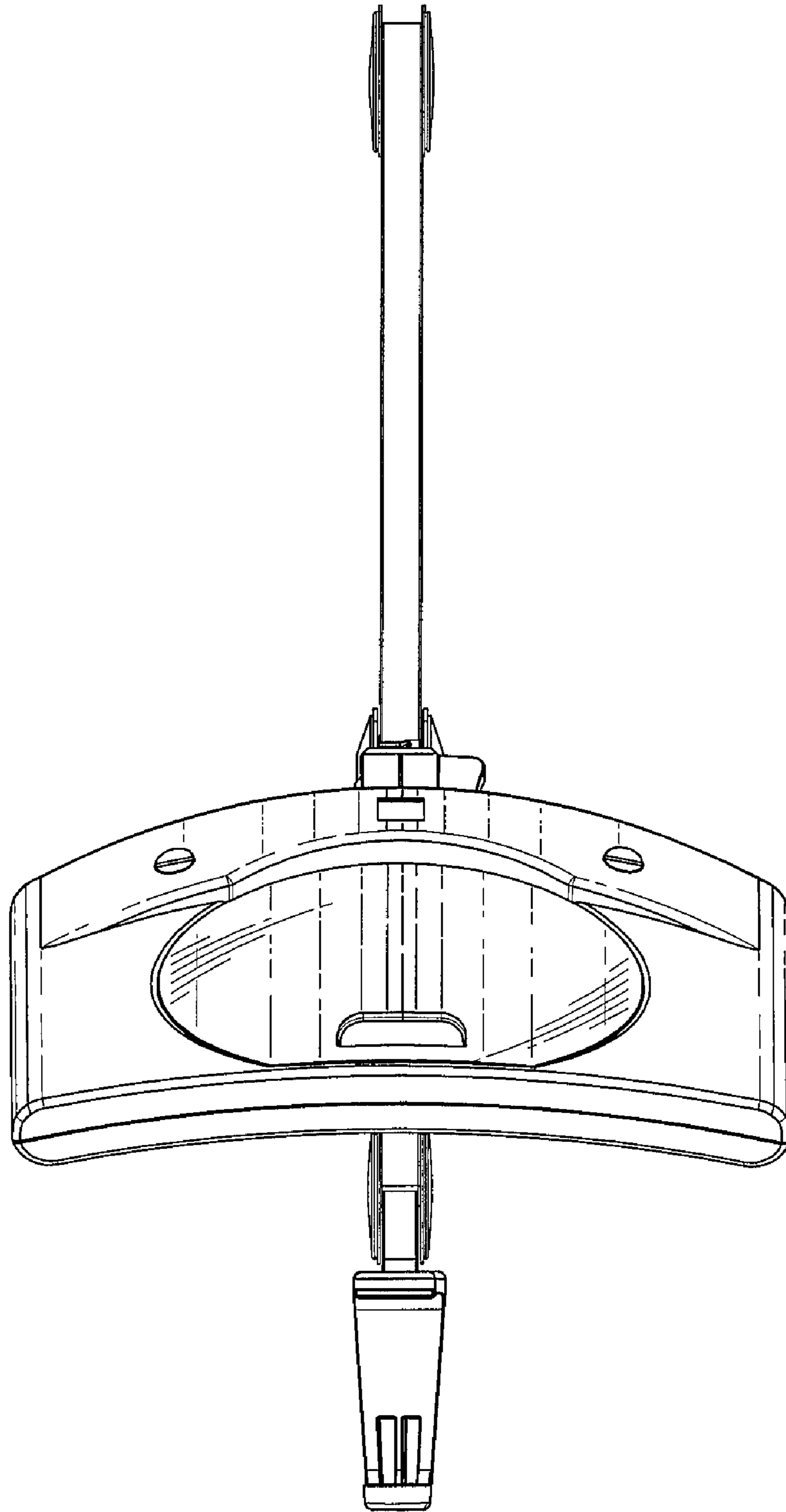
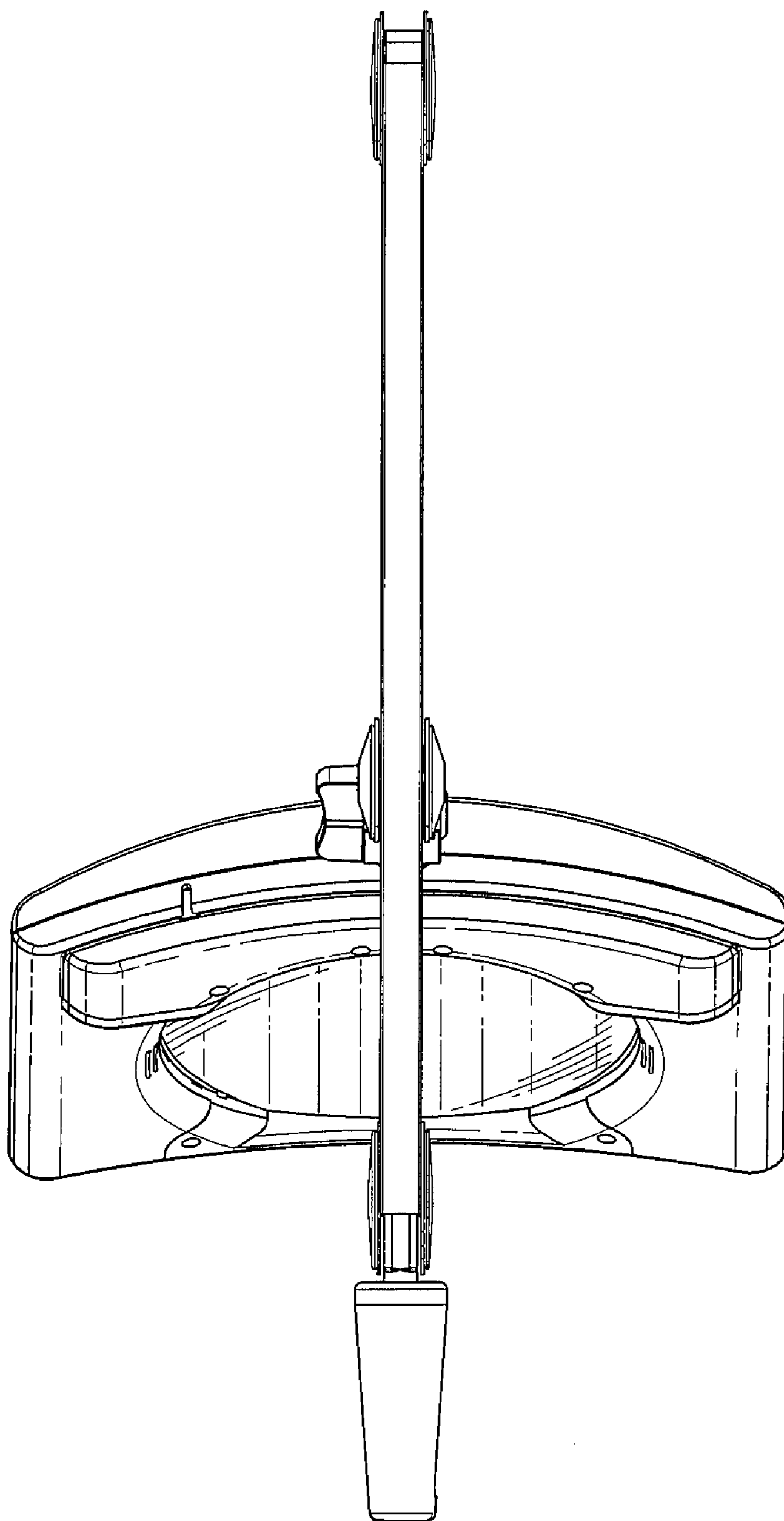


FIG. 5





**FIG. 6**



**FIG. 7**