

US00D597239S

(12) **United States Design Patent**
Hodgson

(10) **Patent No.:** **US D597,239 S**

(45) **Date of Patent:** **** Jul. 28, 2009**

(54) **MAGNIFYING LAMP**

(75) **Inventor:** **Fraser Milbourne Hodgson, London (GB)**

(73) **Assignee:** **The Daylight Company (Holdings) Limited (GB)**

(**) **Term:** **14 Years**

(21) **Appl. No.:** **29/296,941**

(22) **Filed:** **Oct. 31, 2007**

(30) **Foreign Application Priority Data**

May 11, 2007 (EM) 000724174

(51) **LOC (9) Cl.** **26-05**

(52) **U.S. Cl.** **D26/65**

(58) **Field of Classification Search** D26/24,
D26/37, 43, 44, 51, 56, 60-66, 71, 72, 85,
D26/93, 107, 118, 138; 362/410, 413, 414,
362/419, 427, 285, 287, 282, 277, 275, 274,
362/271, 270, 269, 431, 401, 402, 251; D13/110,
D13/133, 139.2; D16/135; D10/106
See application file for complete search history.

(56) **References Cited**

U.S. PATENT DOCUMENTS

- 1,960,114 A * 5/1934 Lindsay 359/802
- 2,199,107 A * 4/1940 Kibbe 359/801
- D275,037 S * 8/1984 Saferstein et al. D26/51
- D276,940 S * 12/1984 Andersson D16/135
- D284,087 S * 6/1986 Haidinger D16/135
- D295,287 S * 4/1988 Krogsrud et al. D16/135
- 4,796,162 A * 1/1989 Krogsrud 362/33

- 4,958,913 A * 9/1990 Schaffer 359/819
- D331,985 S * 12/1992 Schaffer D26/65
- D334,759 S * 4/1993 Meyer et al. D16/135
- D382,577 S * 8/1997 Waldmann D16/135
- 5,732,920 A * 3/1998 Reynoso et al. 248/278.1
- D463,054 S * 9/2002 Huang D26/60
- D474,556 S * 5/2003 Huang D26/60
- D482,813 S * 11/2003 Waldmann D26/61
- D485,929 S * 1/2004 Cvek D26/65
- D490,553 S * 5/2004 Waldmann D26/61
- D505,219 S * 5/2005 Jacquelin D26/51
- D526,340 S * 8/2006 Hodgson D16/135
- D526,673 S * 8/2006 Hodgson D16/135
- D534,450 S * 1/2007 Muller D10/132

* cited by examiner

Primary Examiner—Cathron C Brooks

Assistant Examiner—Barbara Fox

(74) *Attorney, Agent, or Firm*—Lawrence E. Laubscher, Jr.

(57) **CLAIM**

The ornamental design for a magnifying lamp, as shown.

DESCRIPTION

FIG. 1 is a front perspective view of the invention illustrating my design;

FIG. 2 is a left side elevation view thereof;

FIG. 3 is a right side elevation view thereof;

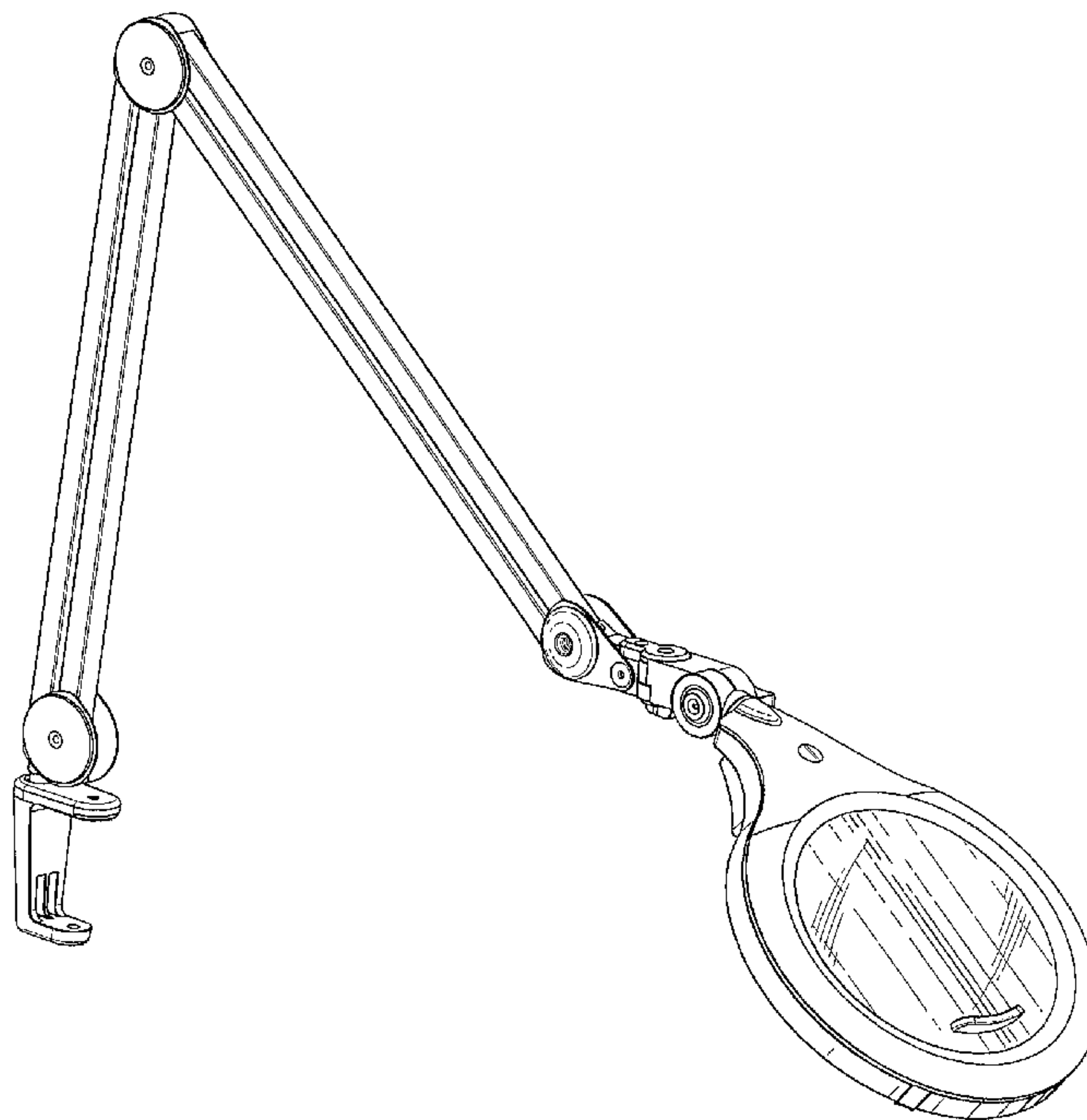
FIG. 4 is a front elevation view thereof;

FIG. 5 is a rear elevation view thereof;

FIG. 6 is a top plan view thereof; and,

FIG. 7 is a bottom plan view thereof.

1 Claim, 7 Drawing Sheets



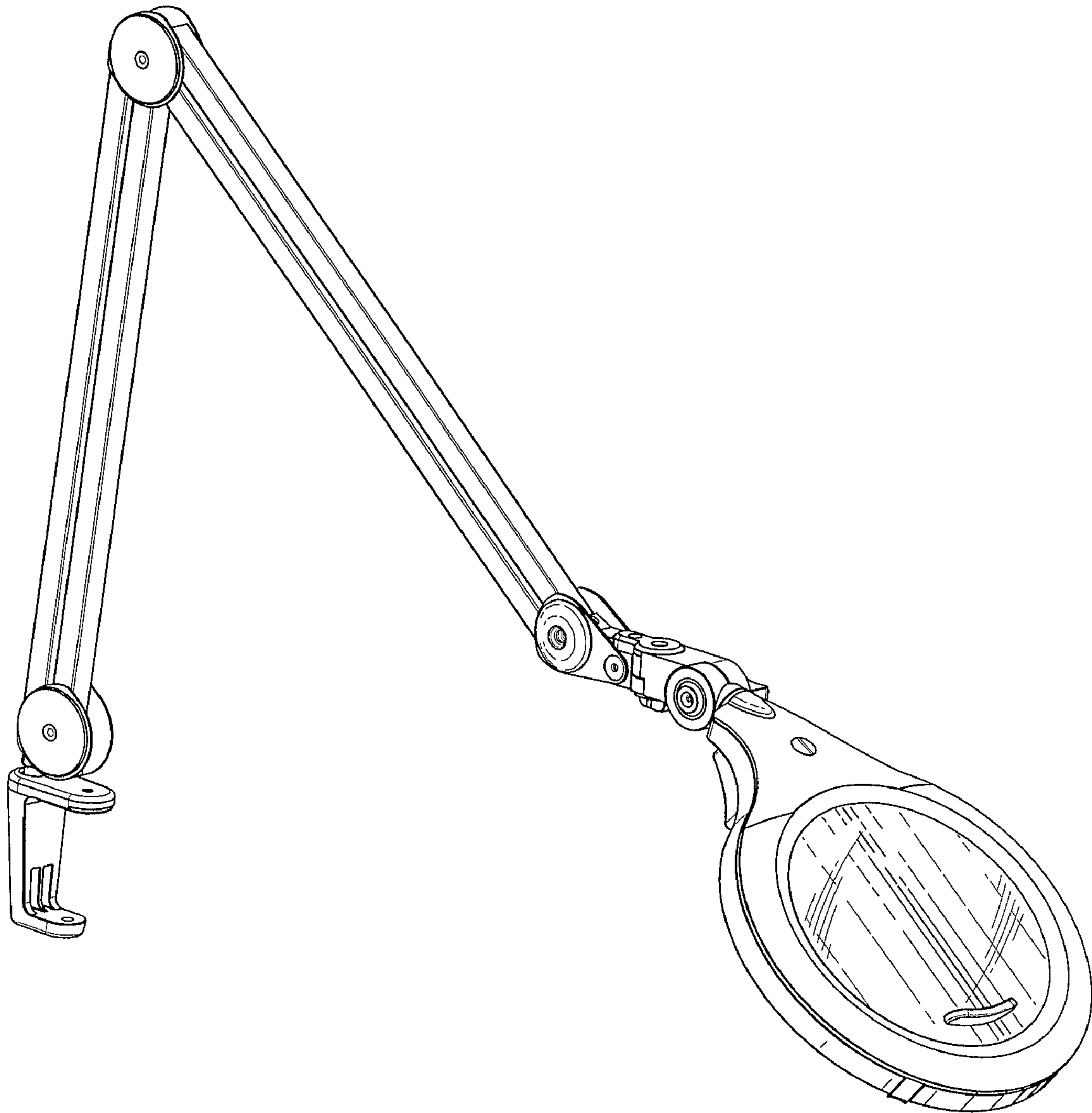


FIG. 1

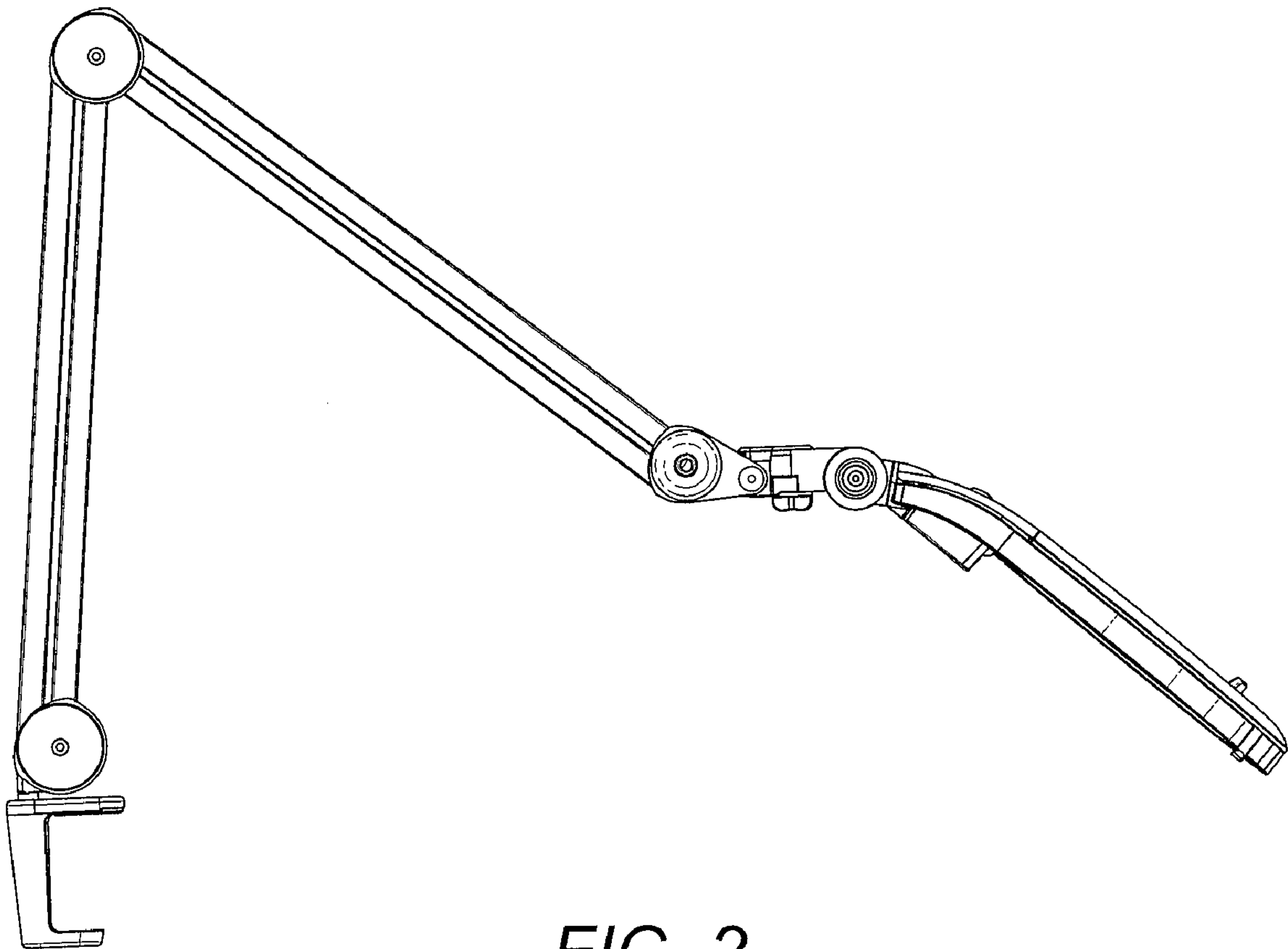


FIG. 2

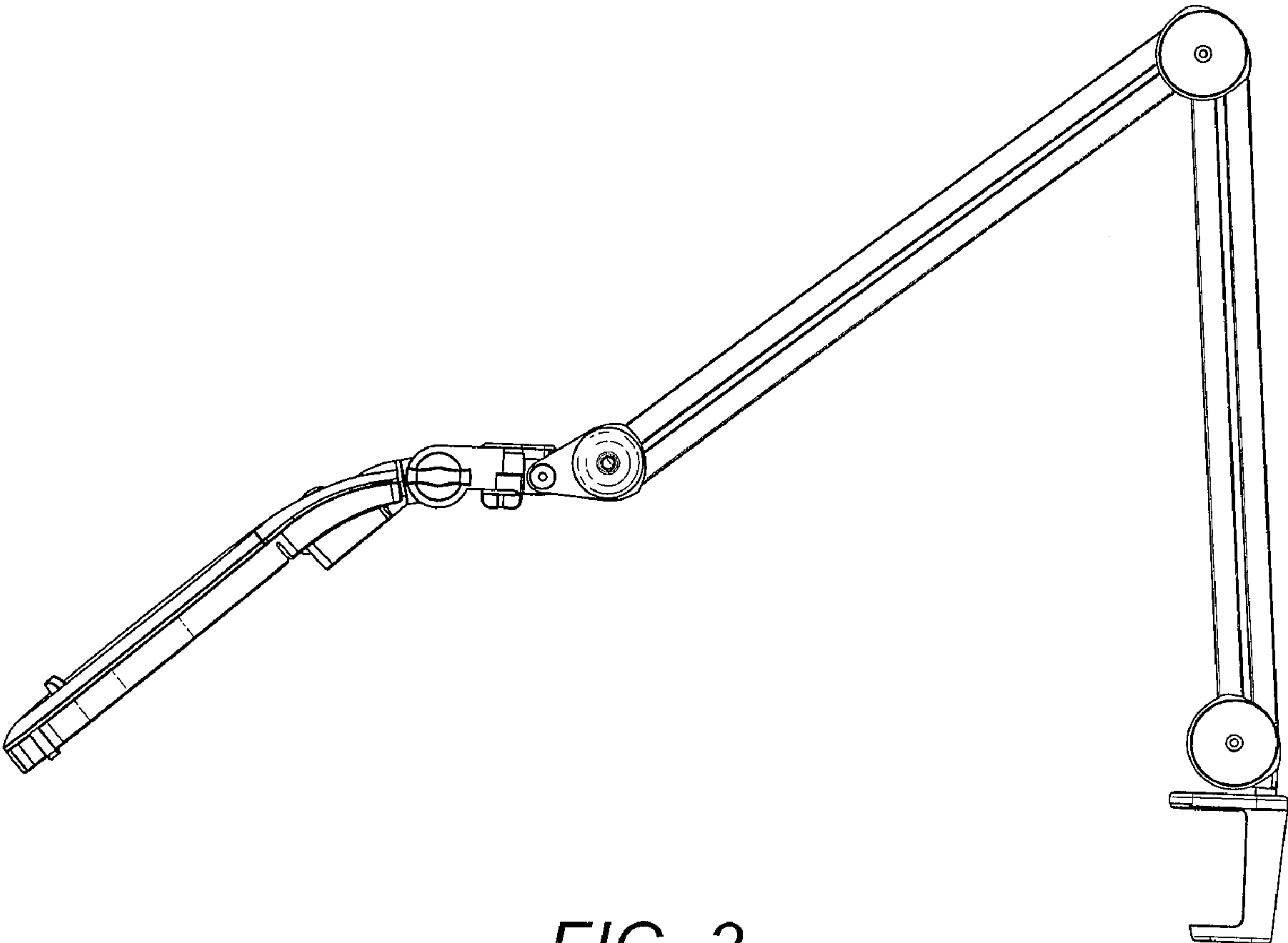


FIG. 3

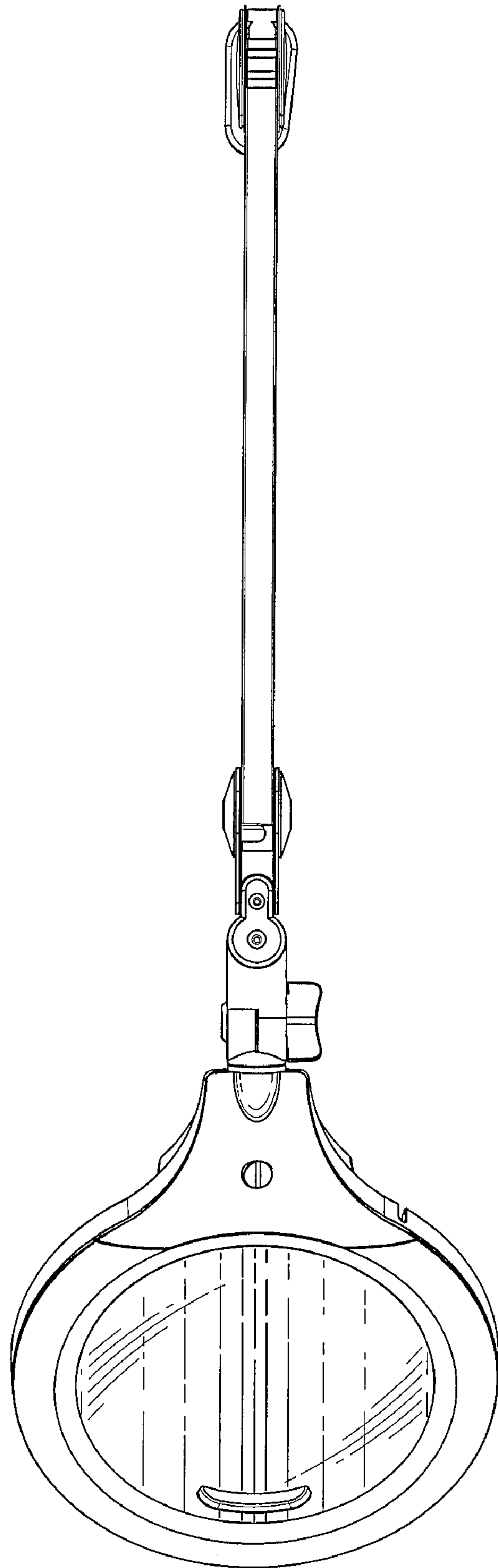


FIG. 4

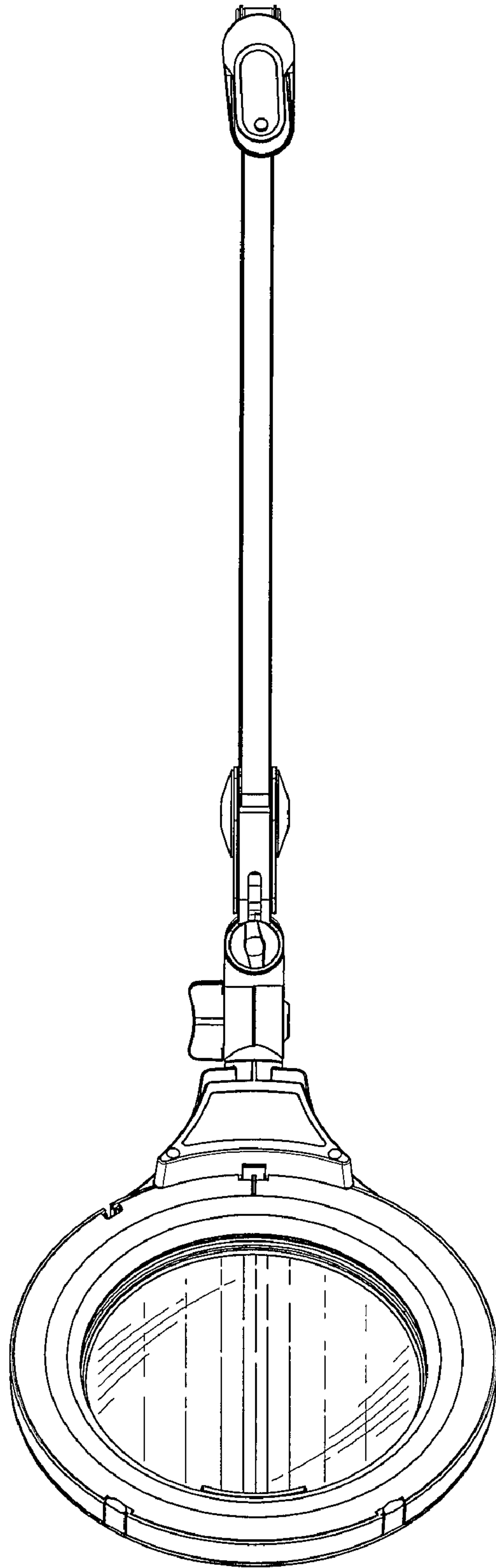


FIG. 5

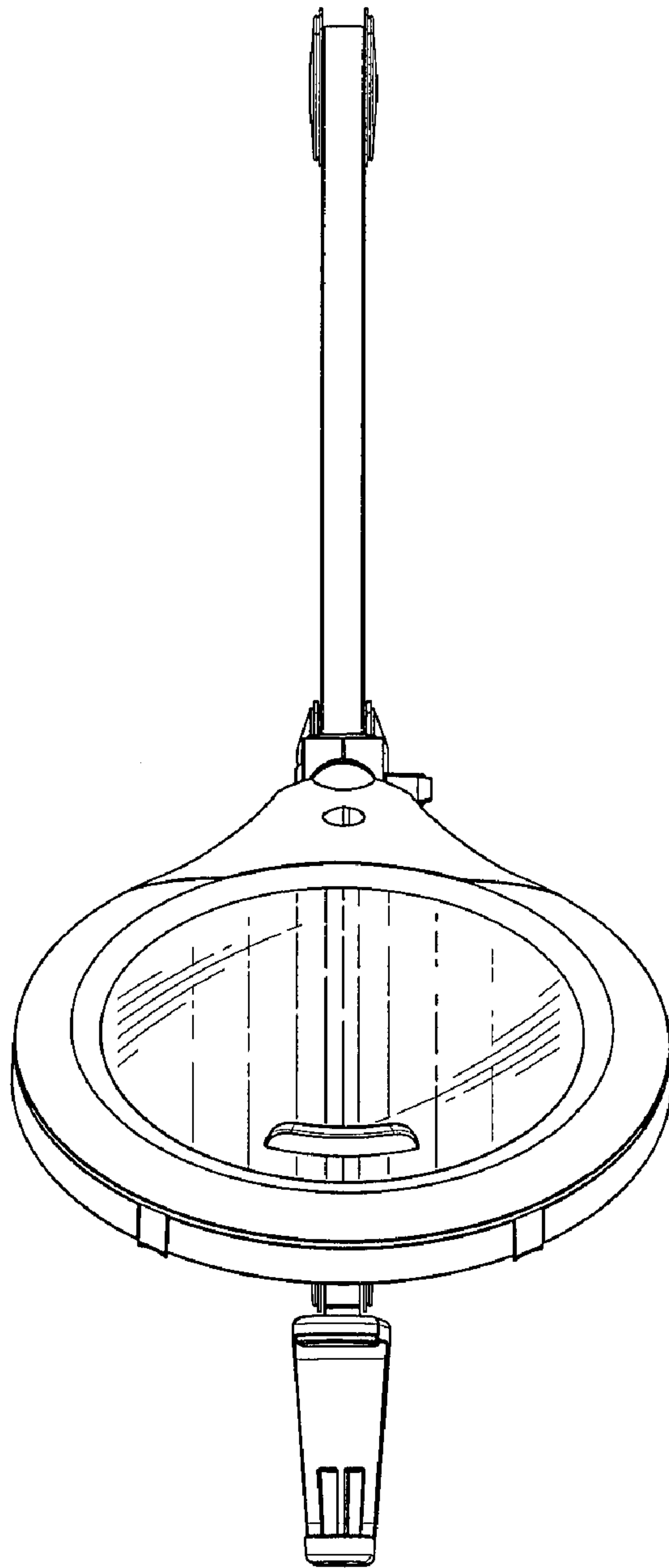


FIG. 6

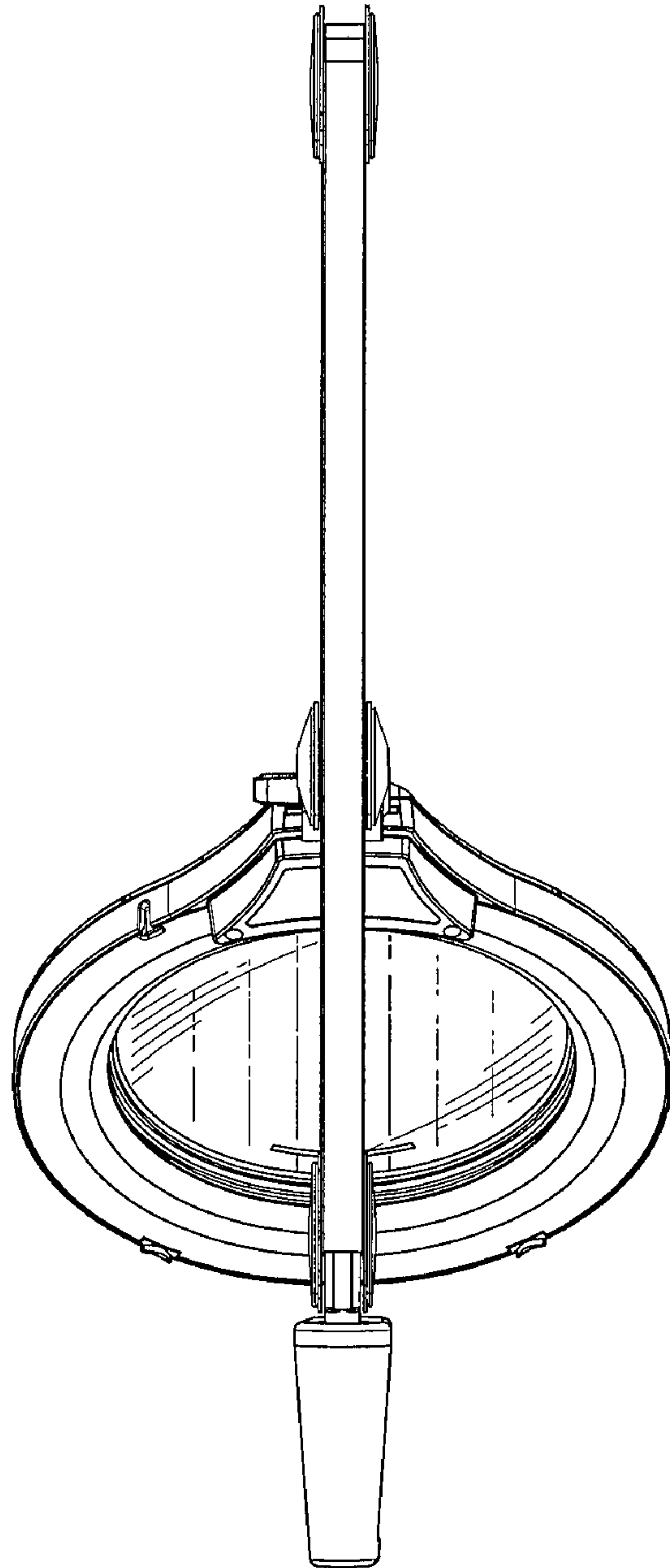


FIG. 7