

US00D597238S

(12) **United States Design Patent**
Lu et al.

(10) **Patent No.:** **US D597,238 S**
(45) **Date of Patent:** **** Jul. 28, 2009**

(54) **LAMP WITH MAGNIFIER**

(76) Inventors: **James Lu**, Kaiyilai Industrial Park, Industrial Zone No. 388, Liangantian Village, Pinghu Town, Shenzhen City (CN); **Michael Lu**, Kaiyilai Industrial Park, Industrial Zone No. 388, Liangantian Village, Pinghu Town, Shenzhen City (CN)

(**) Term: **14 Years**

(21) Appl. No.: **29/320,449**

(22) Filed: **Jun. 26, 2008**

(51) **LOC (9) Cl.** **26-05**

(52) **U.S. Cl.** **D26/61; D16/135**

(58) **Field of Classification Search** D26/61-66, D26/24, 43, 44, 45, 50, 51, 56, 60, 67, 87, D26/92, 93, 103, 113, 138, 141, 140, 145, D26/142, 107, 108, 118; 362/269, 270, 277, 362/278, 282, 285, 287, 296.09, 311.11, 362/388, 401, 413, 418, 431, 217.06, 217.07, 362/217.15, 217.16, 217.17, 249.07, 249.08, 362/249.1, 135, 138, 139, 142, 143, 144, 362/153, 219, 220, 223, 402; D16/135; 359/802, 359/822

See application file for complete search history.

(56) **References Cited**

U.S. PATENT DOCUMENTS

2,104,198 A * 1/1938 Jones 359/802

D276,940 S *	12/1984	Andersson	D16/135
4,744,019 A *	5/1988	Krogsrud	362/402
5,101,332 A *	3/1992	Hsia	362/401
D334,759 S *	4/1993	Meyer et al.	D16/135
5,613,771 A *	3/1997	Siverling	362/401
D382,577 S *	8/1997	Waldmann	D16/135
5,732,920 A *	3/1998	Reynoso et al.	248/278.1
D457,671 S *	5/2002	Jacquelin	D26/51
6,663,266 B2 *	12/2003	Huang	362/402
D505,219 S *	5/2005	Jacquelin	D26/51
2003/0210553 A1 *	11/2003	Huang	362/402
2009/0009891 A1 *	1/2009	Chen et al.	359/802

* cited by examiner

Primary Examiner—Jennifer Rivard

Assistant Examiner—Angela J Lee

(57) **CLAIM**

The ornamental design for a lamp with magnifier, as shown.

DESCRIPTION

FIG. 1 is a front elevational view of a lamp with magnifier showing my new design;

FIG. 2 is a rear elevational view thereof;

FIG. 3 is a left side view thereof;

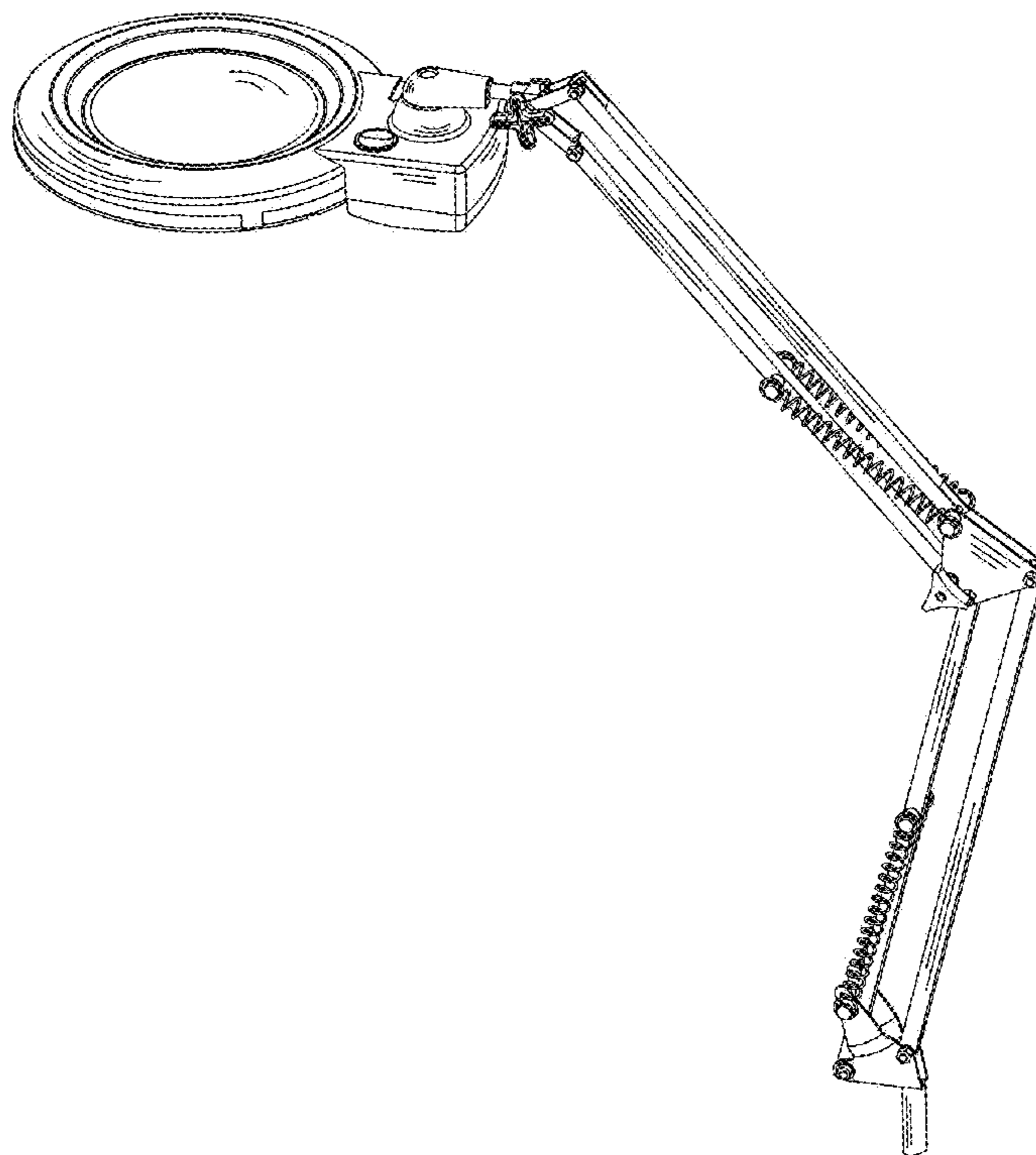
FIG. 4 is a right side view thereof;

FIG. 5 is a top plan view thereof;

FIG. 6 is a bottom plan view thereof; and,

FIG. 7 is a perspective view thereof.

1 Claim, 7 Drawing Sheets



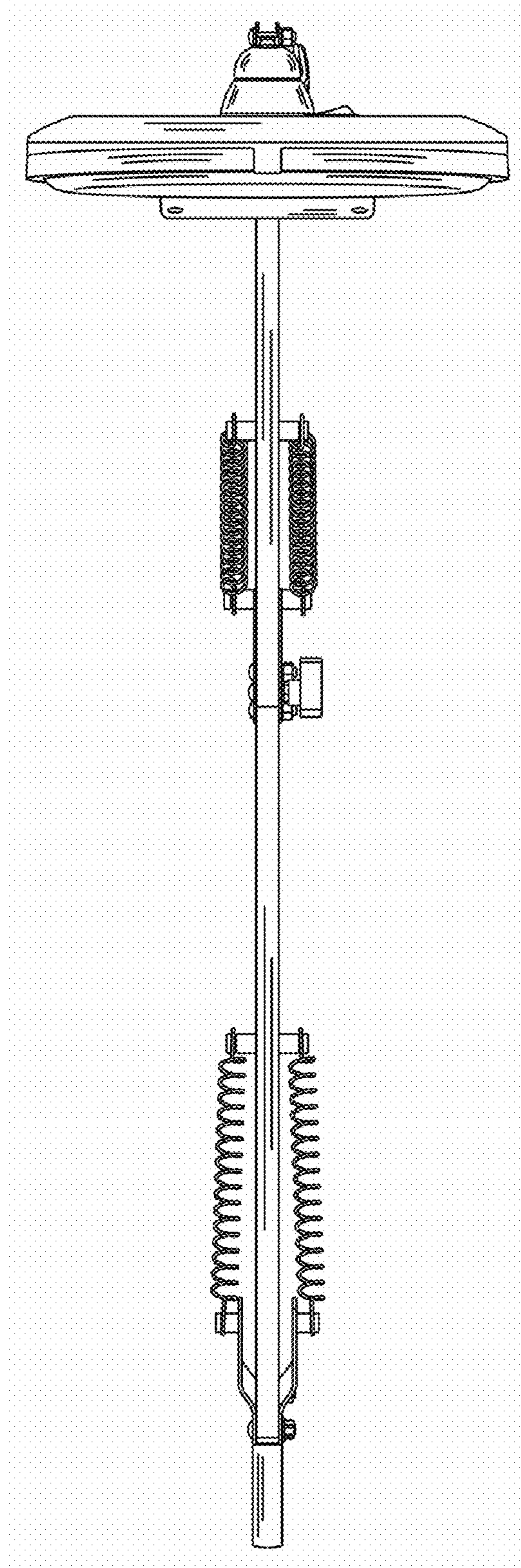


FIG. 1

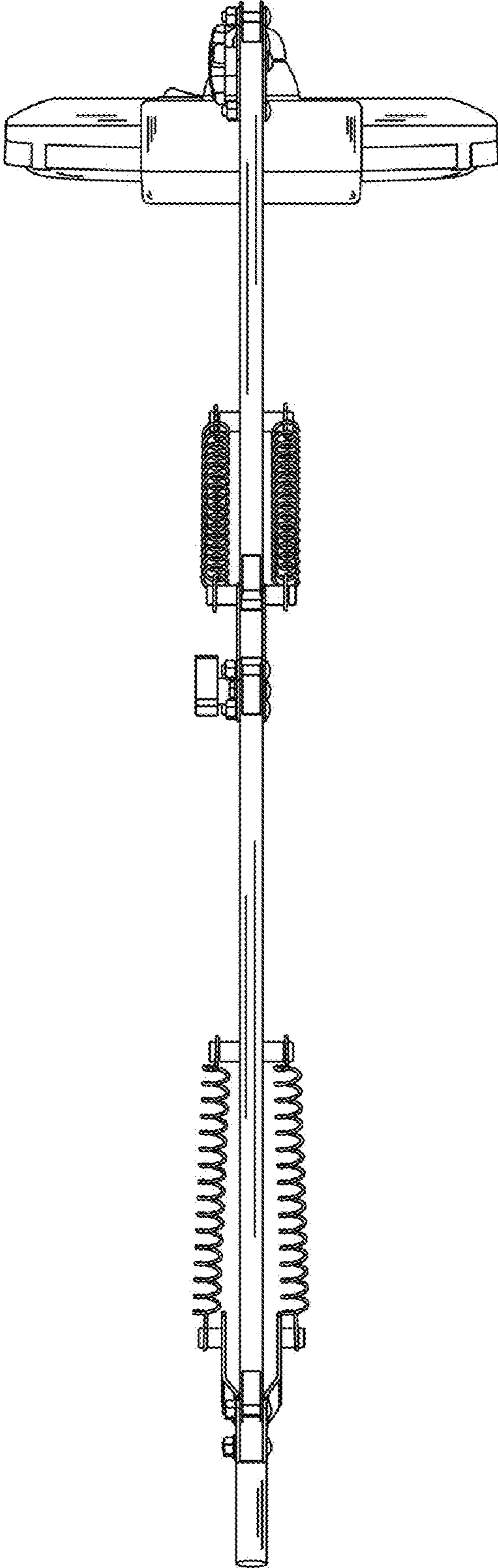


FIG. 2

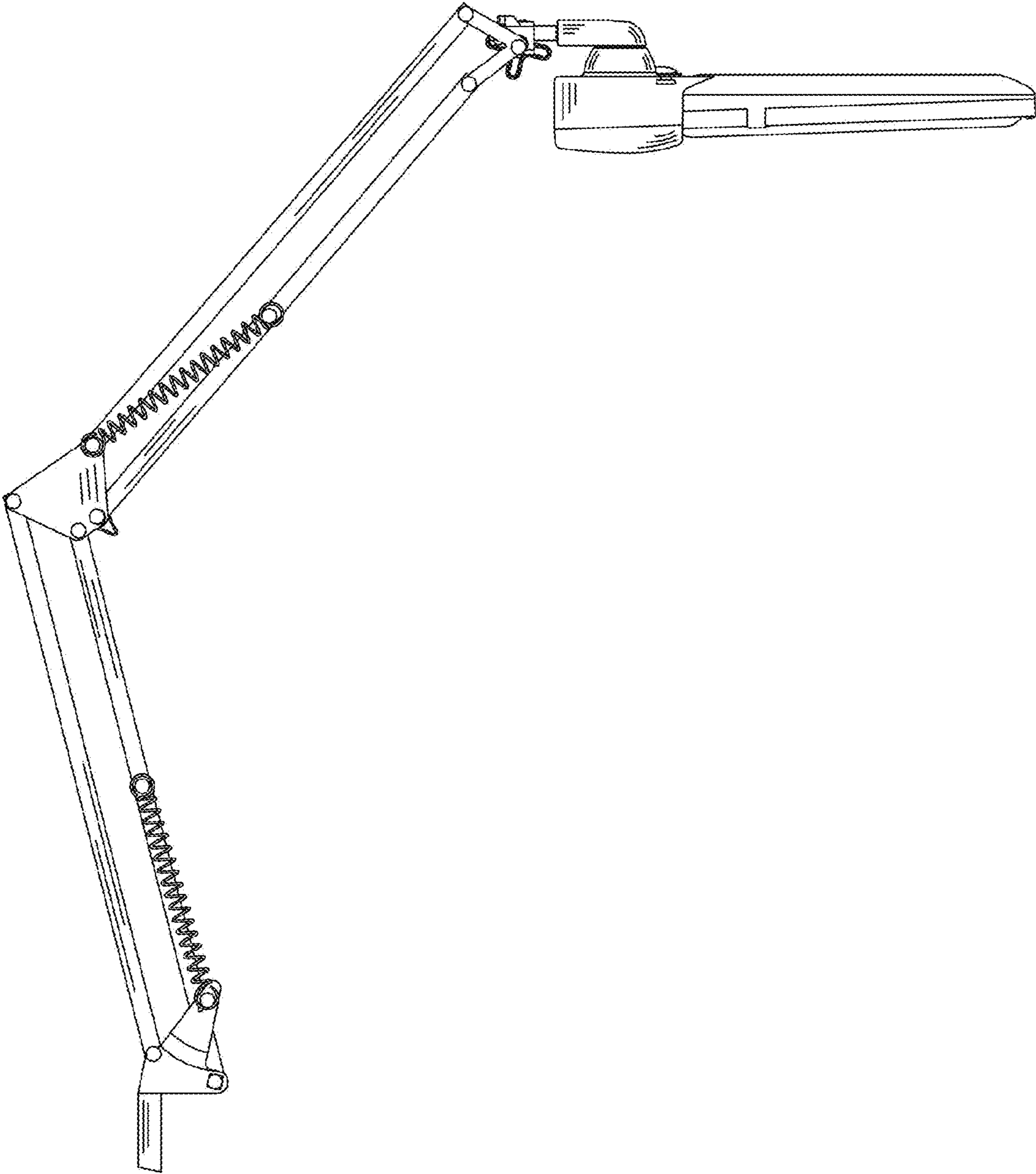


FIG. 3

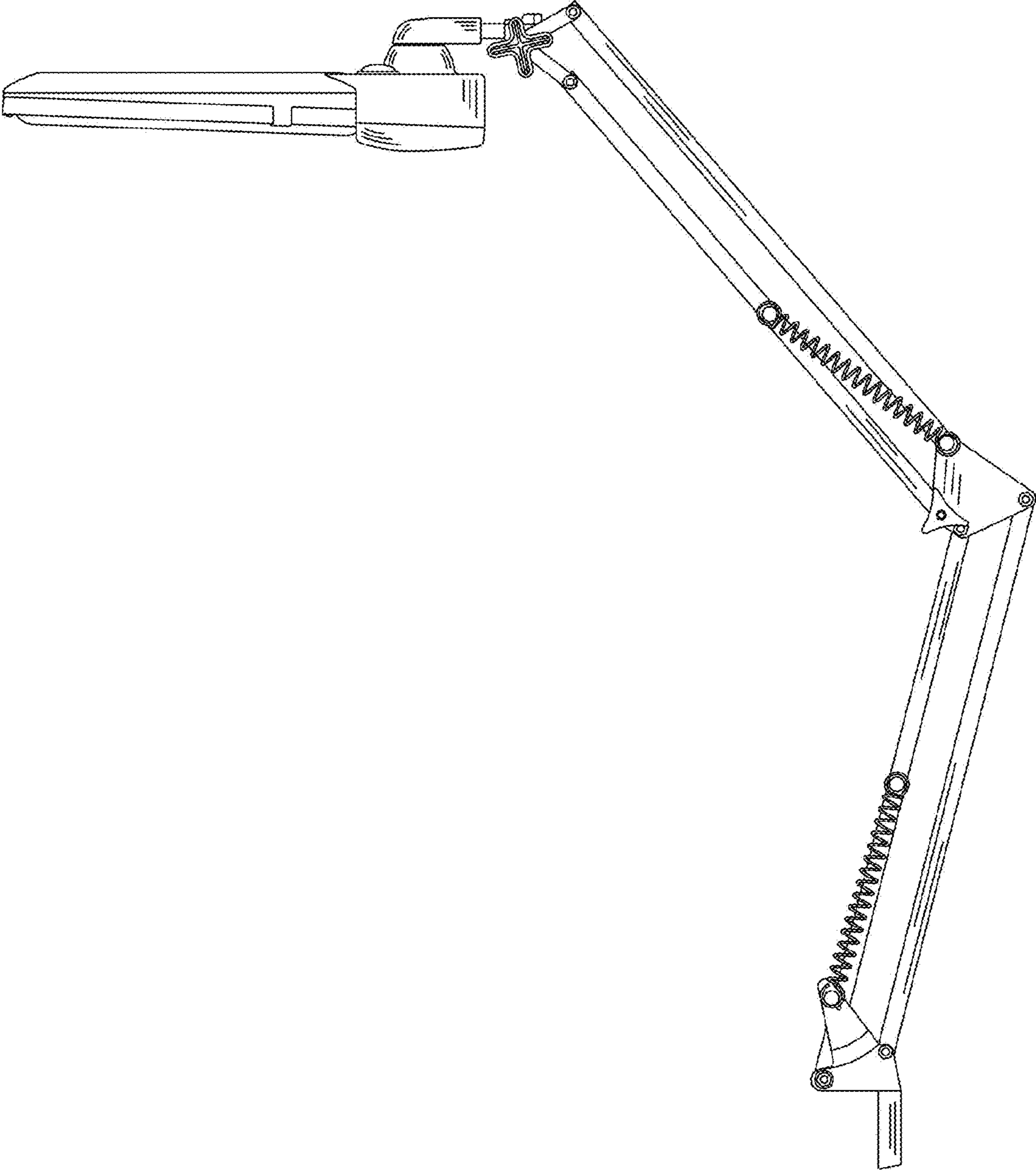


FIG. 4

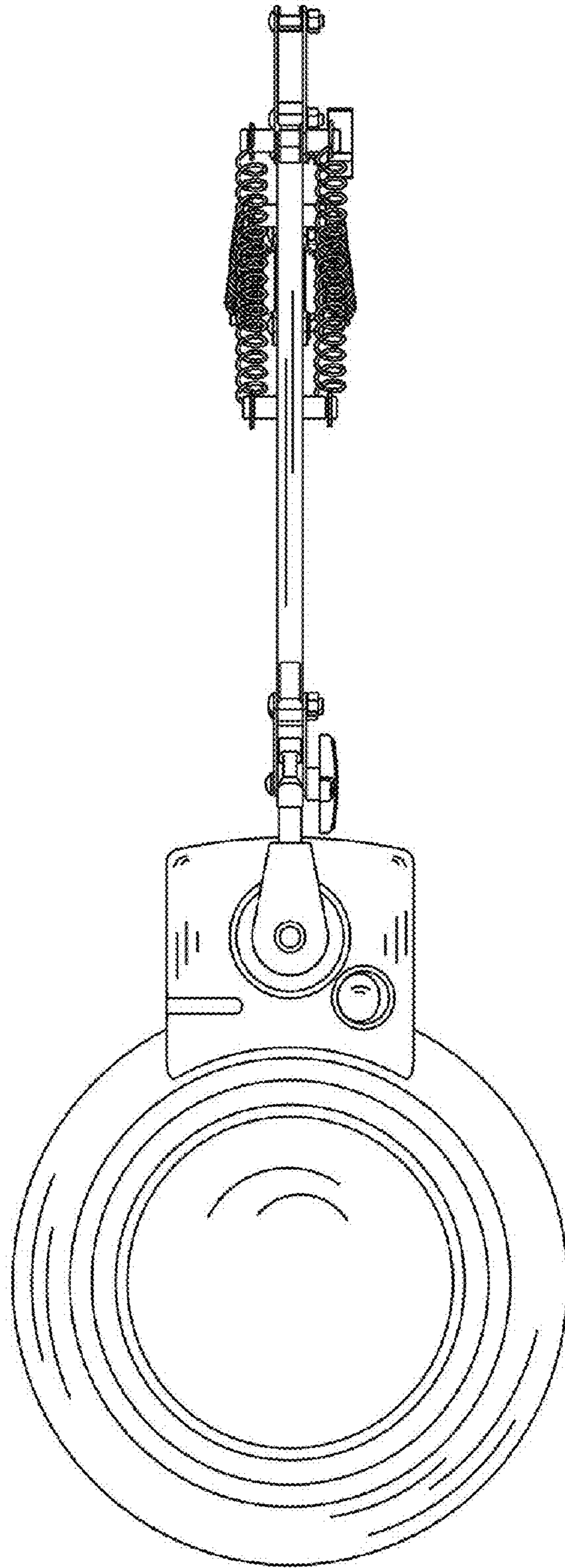


FIG. 5

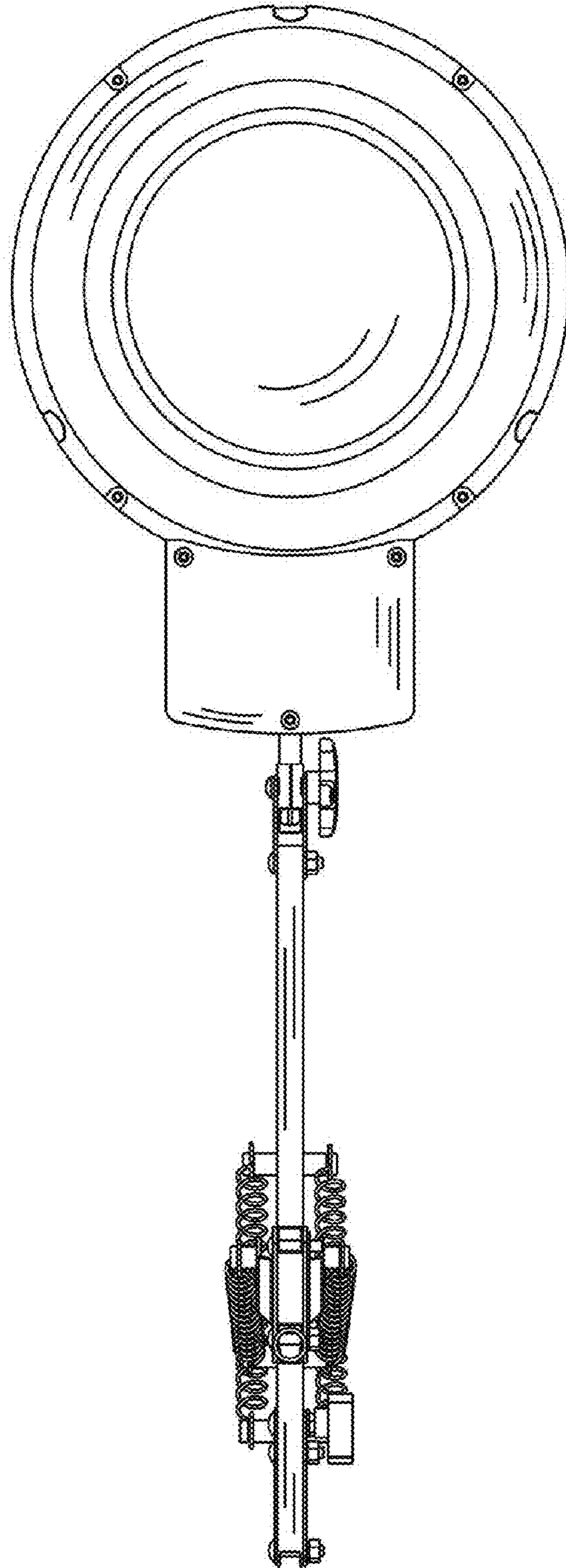


FIG. 6

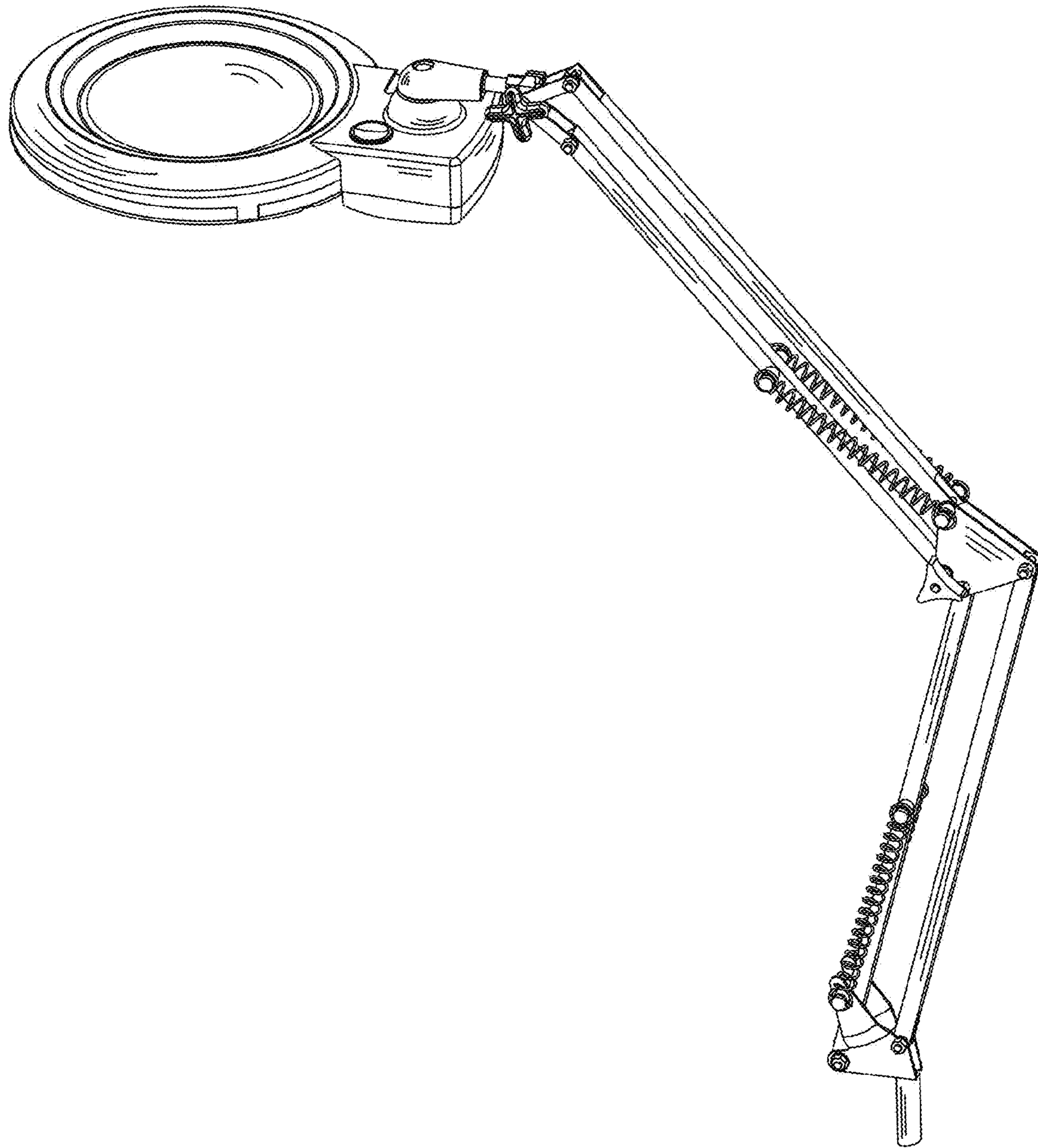


FIG. 7