



US00D597236S

(12) **United States Design Patent**  
**Lindsay**

(10) **Patent No.:** **US D597,236 S**  
(45) **Date of Patent:** **\*\* Jul. 28, 2009**

(54) **LIGHT FOR MACHINE**

(76) Inventor: **Scot Lindsay**, Rt. 1 Bx2060, Bonners Ferry, ID (US) 83805

(\*\*) Term: **14 Years**

(21) Appl. No.: **29/292,752**

(22) Filed: **Oct. 29, 2007**

(51) **LOC (9) Cl.** ..... **26-05**

(52) **U.S. Cl.** ..... **D26/60**

(58) **Field of Classification Search** ..... D26/24,  
D26/37, 43, 44, 51, 56, 60-66, 71, 72, 85,  
D26/93, 107, 113, 118, 138, 142; 362/410,  
362/413, 414, 419, 427, 285, 287, 282, 277,  
362/275, 274, 271, 270, 269, 431, 401, 402,  
362/251; D13/110, 133, 139.2; D16/135;  
D10/106

See application file for complete search history.

(56) **References Cited**

**U.S. PATENT DOCUMENTS**

- D314,246 S \* 1/1991 Bache ..... D26/62
- D357,088 S \* 4/1995 Grooms et al. .... D26/60
- D476,106 S \* 6/2003 Kim ..... D26/62
- D535,773 S \* 1/2007 Kessler ..... D26/60
- D539,458 S \* 3/2007 Cooper ..... D26/60
- D554,058 S \* 10/2007 Yang et al. .... D13/110
- D565,218 S \* 3/2008 Chien ..... D26/43

2005/0117339 A1\* 6/2005 Pan ..... 362/249  
\* cited by examiner

*Primary Examiner*—Cathron C Brooks  
*Assistant Examiner*—Barbara Fox  
(74) *Attorney, Agent, or Firm*—Keith S. Bergman; William A Jeckle

(57) **CLAIM**

I claim the ornamental design for light for machine, as shown and described.

**DESCRIPTION**

FIG. 1 is an isometric view of light for machine showing my design.

FIG. 2 is an enlarged rearward looking view of the light element and mounting structure of the light for machine shown broken away and enlarged for ease of illustration.

FIG. 3 is an expanded view of FIG. 2.

FIG. 4 is a top view of the light for machine shown in an elongated position, with the cord partially broken away for clarity and ease of illustration.

FIG. 5 is a bottom view thereof.

FIG. 6 is a right side isometric view thereof; and,

FIG. 7 is a left side isometric view thereof.

The machine shown in broken lines in FIG. 1 and the catch shown in broken lines in FIG. 3 form no part of the claimed design.

**1 Claim, 4 Drawing Sheets**

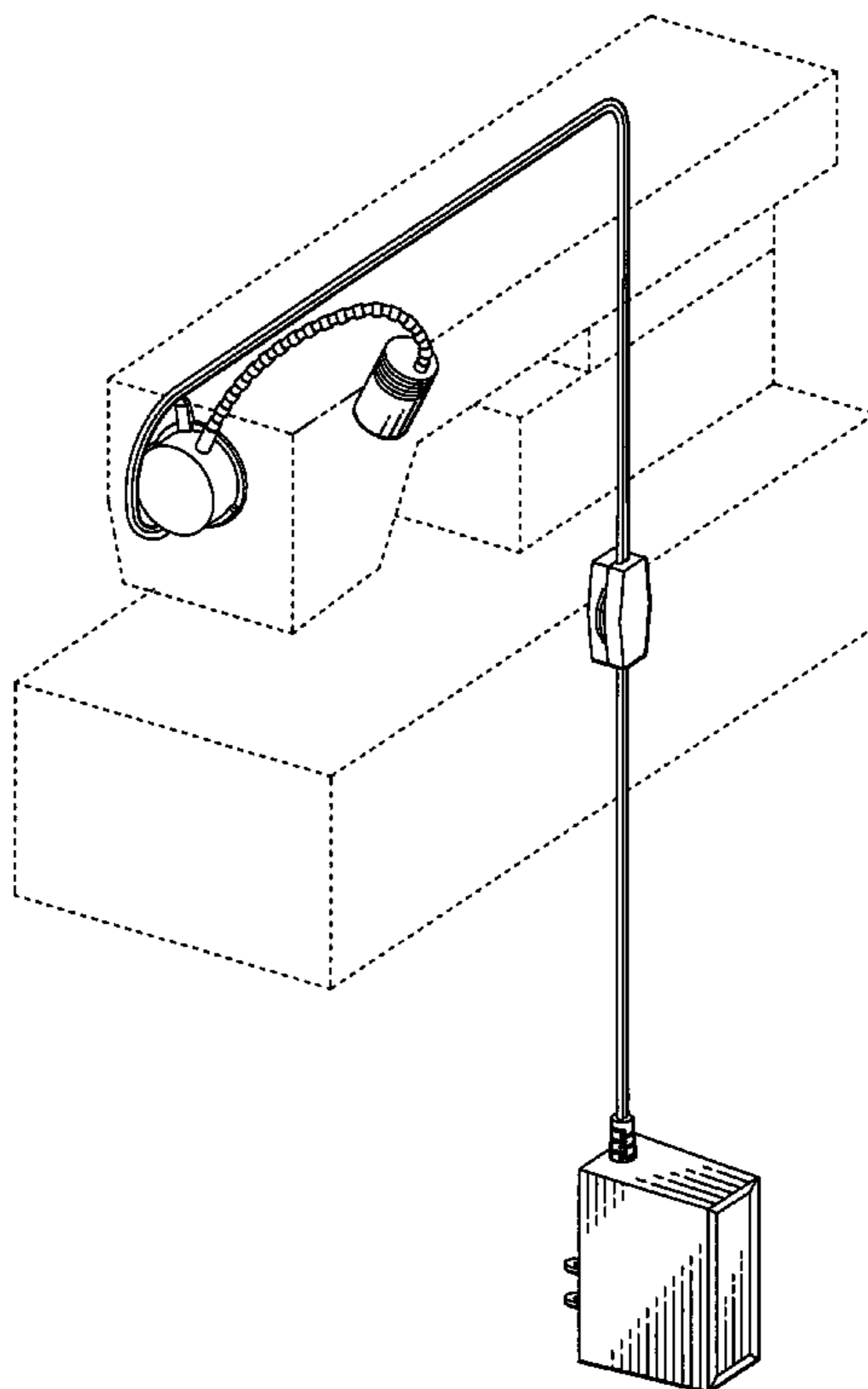
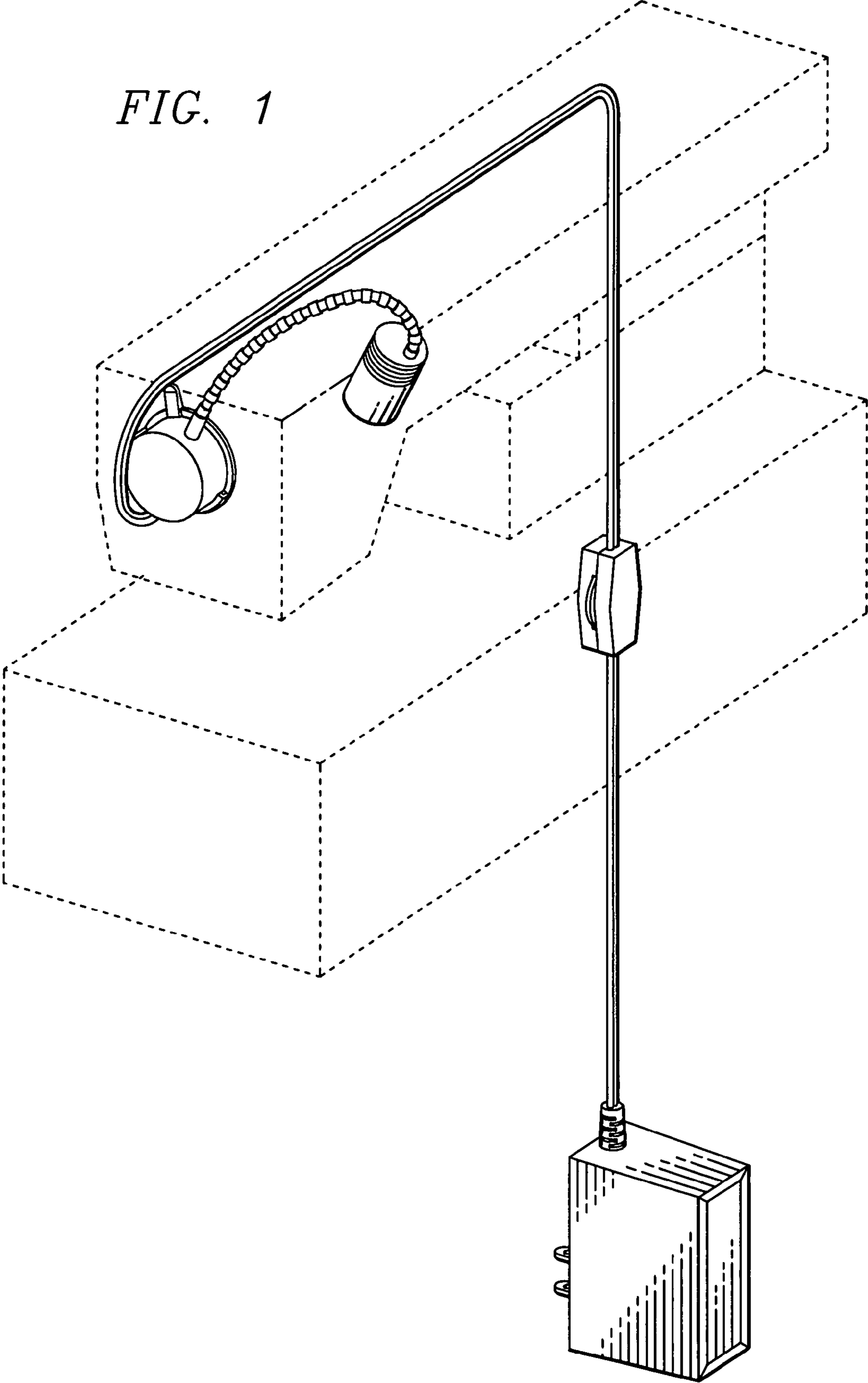


FIG. 1



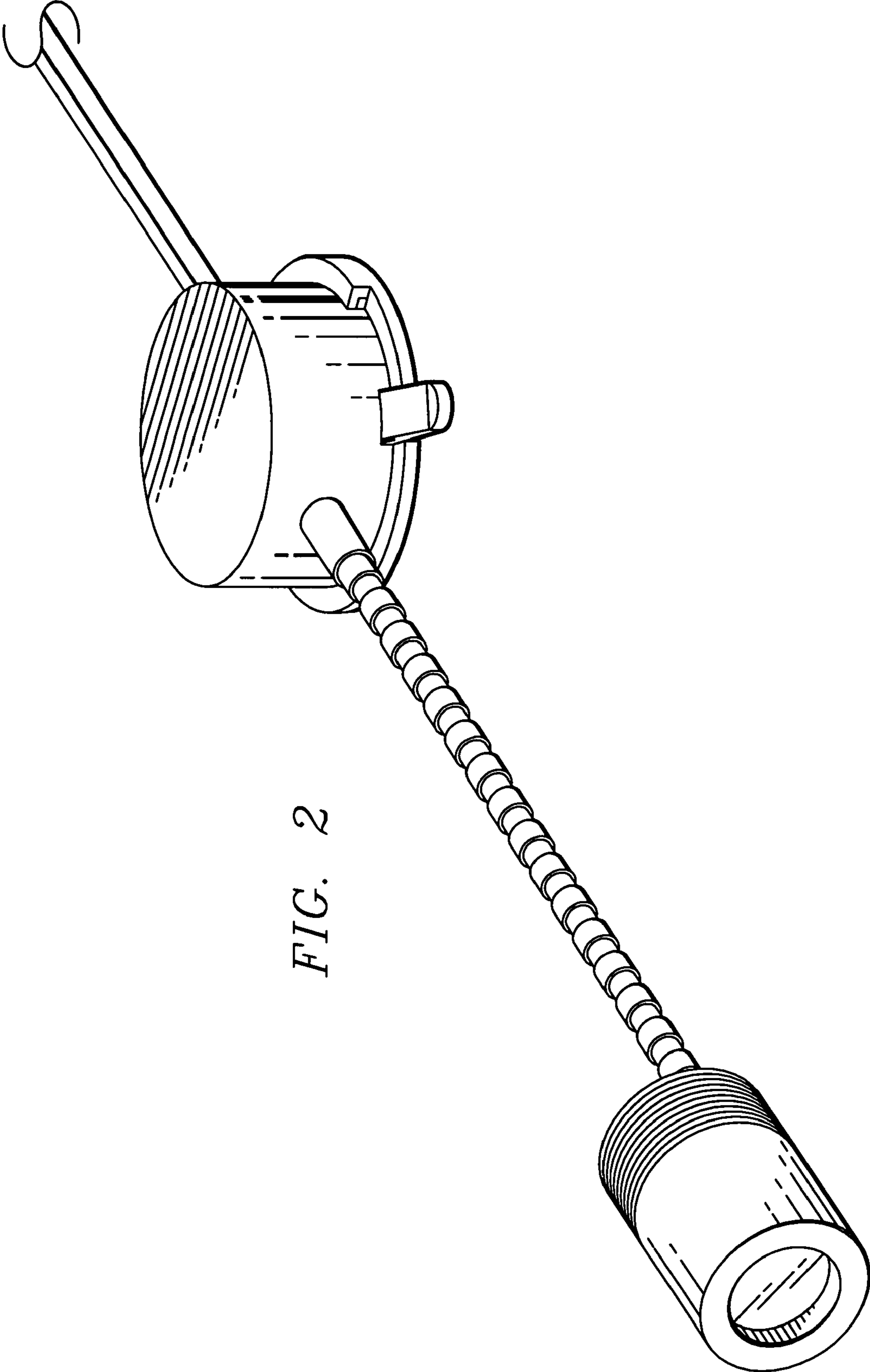


FIG. 2

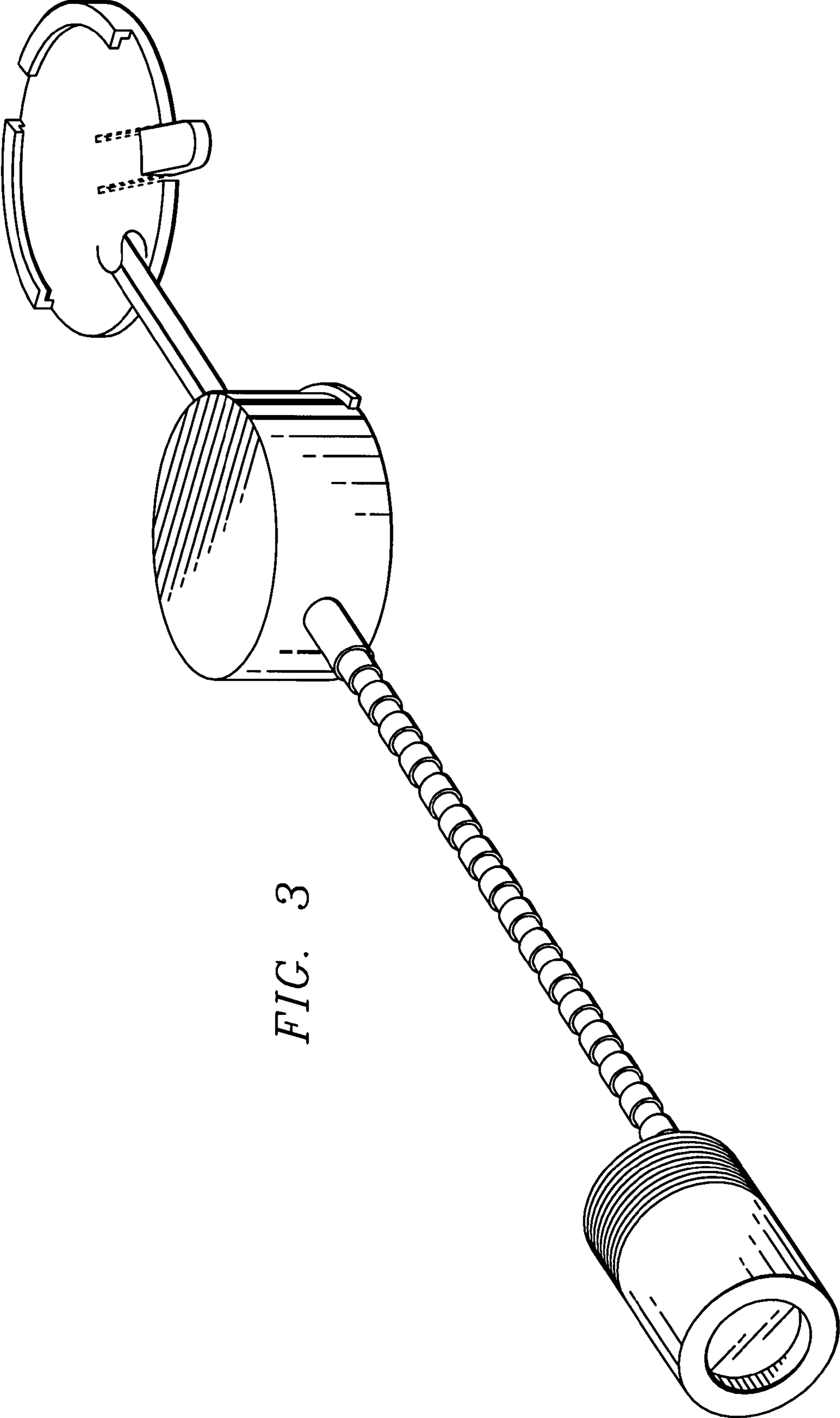


FIG. 3

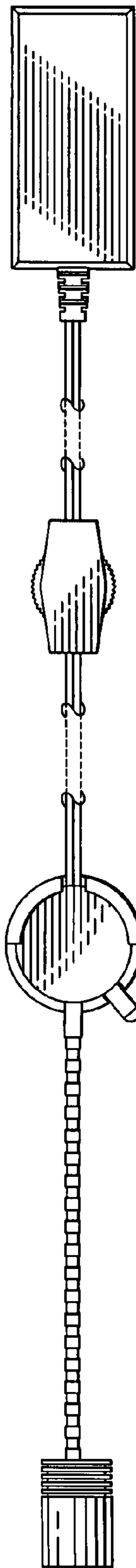


FIG. 4

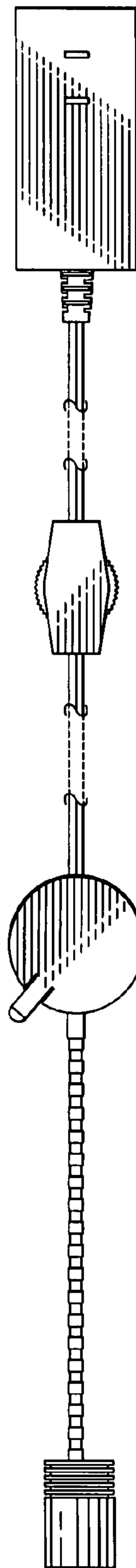


FIG. 5

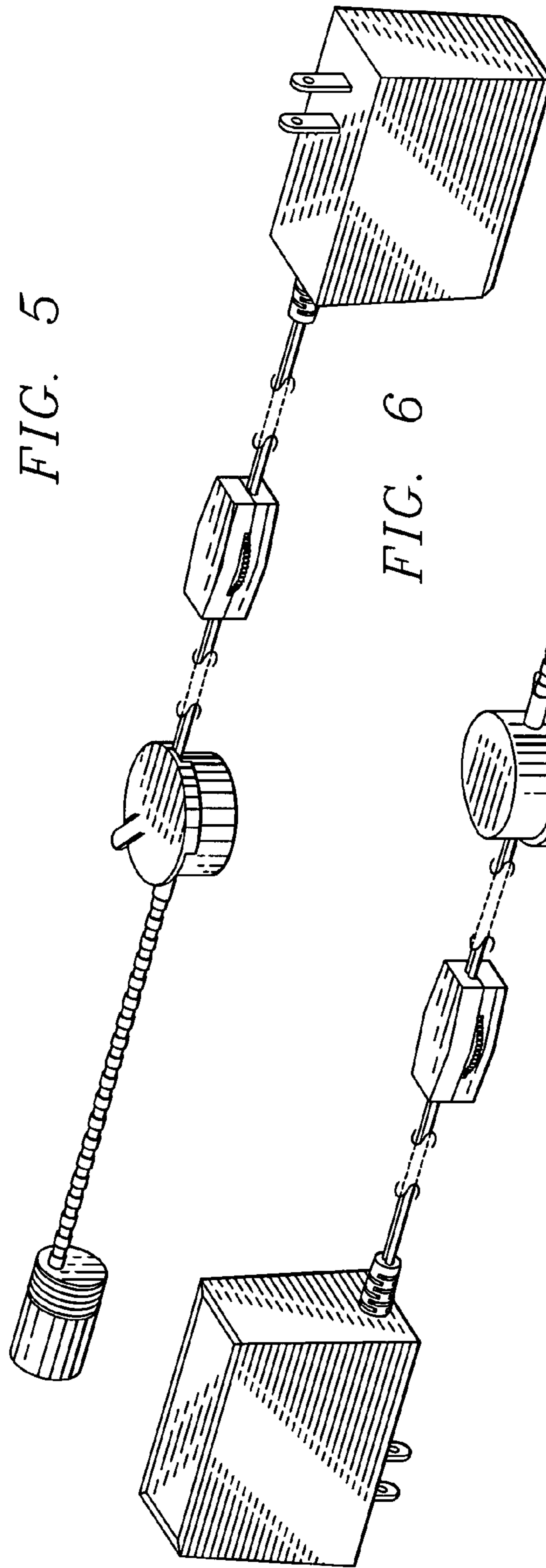


FIG. 6

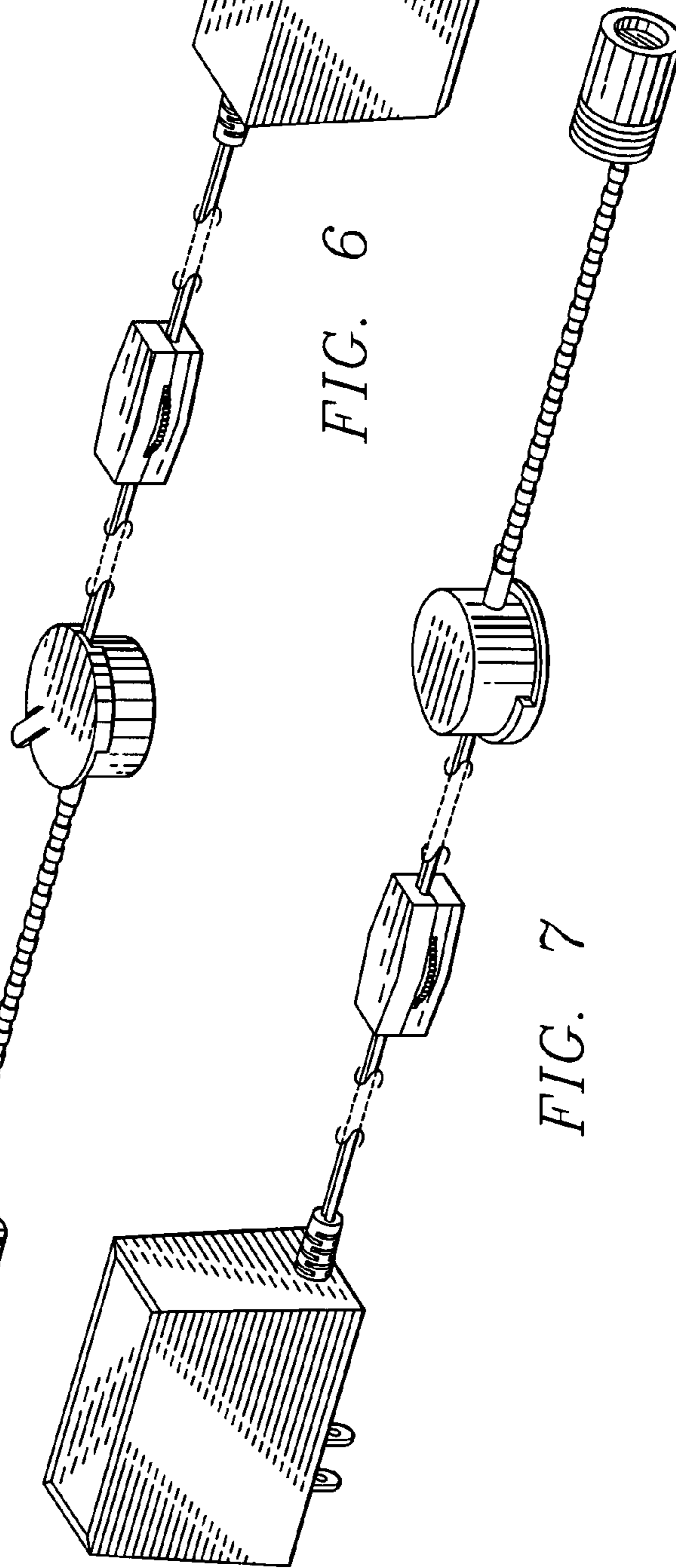


FIG. 7