



US00D597235S

(12) **United States Design Patent**  
**Chang**

(10) **Patent No.:** **US D597,235 S**  
(45) **Date of Patent:** **\*\* Jul. 28, 2009**

(54) **FLASHLIGHT**

(76) **Inventor:** **Chih-Hungun Chang**, P.O. Box 215,  
Taichung (TW) 40099

(\*\*) **Term:** **14 Years**

(21) **Appl. No.:** **29/309,558**

(22) **Filed:** **Sep. 3, 2008**

(30) **Foreign Application Priority Data**

Aug. 8, 2008 (TW) ..... 97304619

(51) **LOC (9) Cl.** ..... **26-02**

(52) **U.S. Cl.** ..... **D26/49**

(58) **Field of Classification Search** ..... D26/37,  
D26/46, 49, 41; 362/157, 158, 194, 196,  
362/201-208

See application file for complete search history.

(56) **References Cited**

**U.S. PATENT DOCUMENTS**

D343,695 S *	1/1994	Shiau	.....	D26/49
D353,217 S *	12/1994	Maglica	.....	D26/49
D412,590 S *	8/1999	Parsons	.....	D26/49
D497,020 S *	10/2004	Lee	.....	D26/49
D498,552 S *	11/2004	Chen	.....	D26/37
D512,168 S *	11/2005	Suzuki	.....	D26/37
D548,862 S *	8/2007	Opolka et al.	.....	D26/37
D578,687 S *	10/2008	Hong	.....	D26/37
D579,594 S *	10/2008	Hesse et al.	.....	D26/37

\* cited by examiner

*Primary Examiner*—Ian Simmons  
*Assistant Examiner*—Carissa C Fitts

(57) **CLAIM**

The ornamental design for a flashlight, as shown and described.

**DESCRIPTION**

FIG. 1 is a perspective view of a flashlight according to the first embodiment of the invention.

FIG. 2 is a front elevational view of a flashlight according to the first embodiment of the invention.

FIG. 3 is a rear elevational view of a flashlight according to the first embodiment of the invention.

FIG. 4 is a left side elevational view of a flashlight according to the first embodiment of the invention.

FIG. 5 is a top plan view of a flashlight according to the first embodiment of the invention.

FIG. 6 is the perspective view from another angle of a flashlight according to the first embodiment of the invention.

FIG. 7 is a perspective view of a flashlight according to the second embodiment of the invention.

FIG. 8 is a front elevational view of a flashlight according to the second embodiment of the invention.

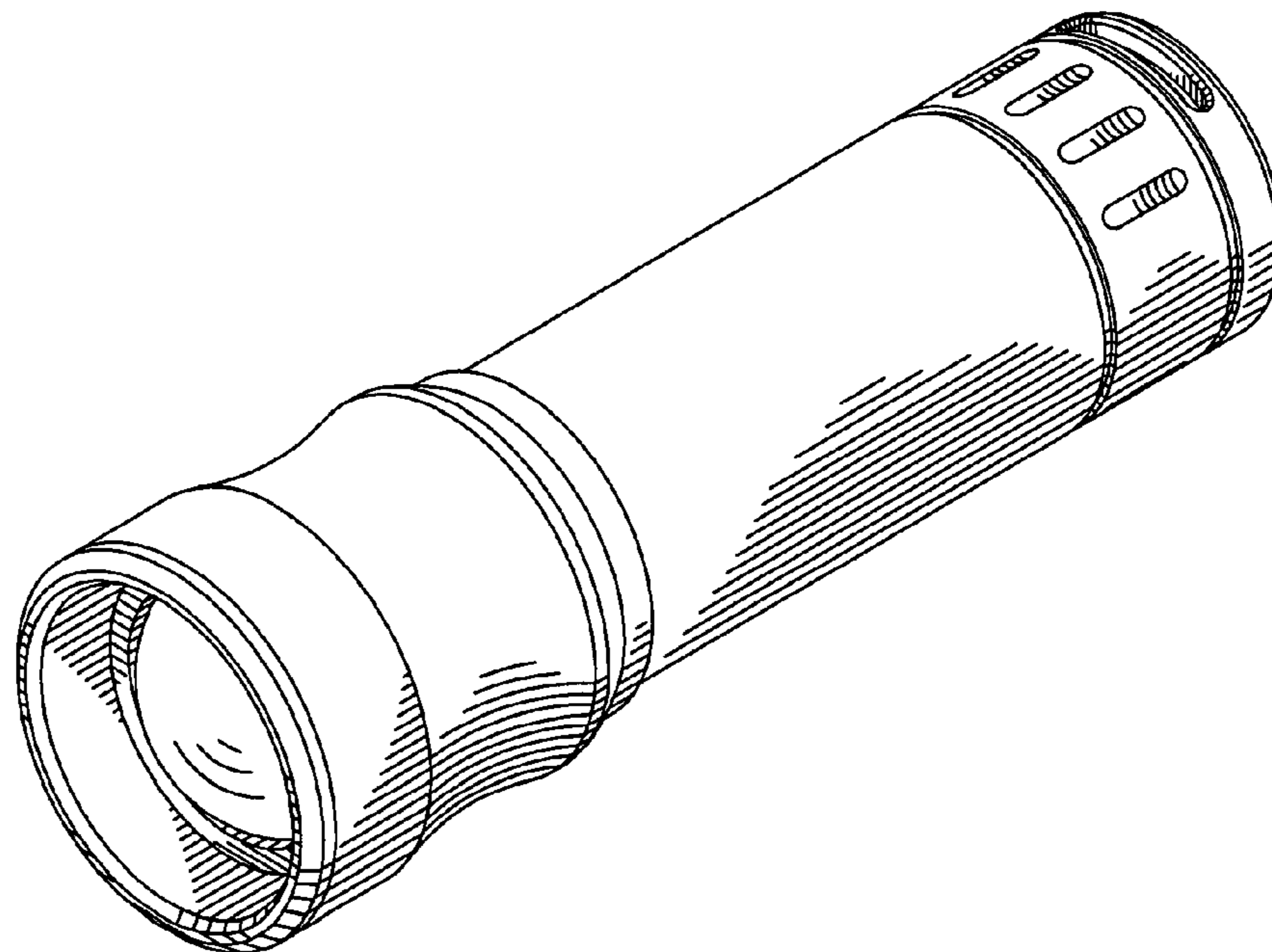
FIG. 9 is a rear elevational view of a flashlight according to the second embodiment of the invention.

FIG. 10 is a left side elevational view of a flashlight according to the second embodiment of the invention.

FIG. 11 is a top plan view of a flashlight according to the second embodiment of the invention; and,

FIG. 12 is the perspective view from another angle of a flashlight according to the second embodiment of the invention.

**1 Claim, 10 Drawing Sheets**



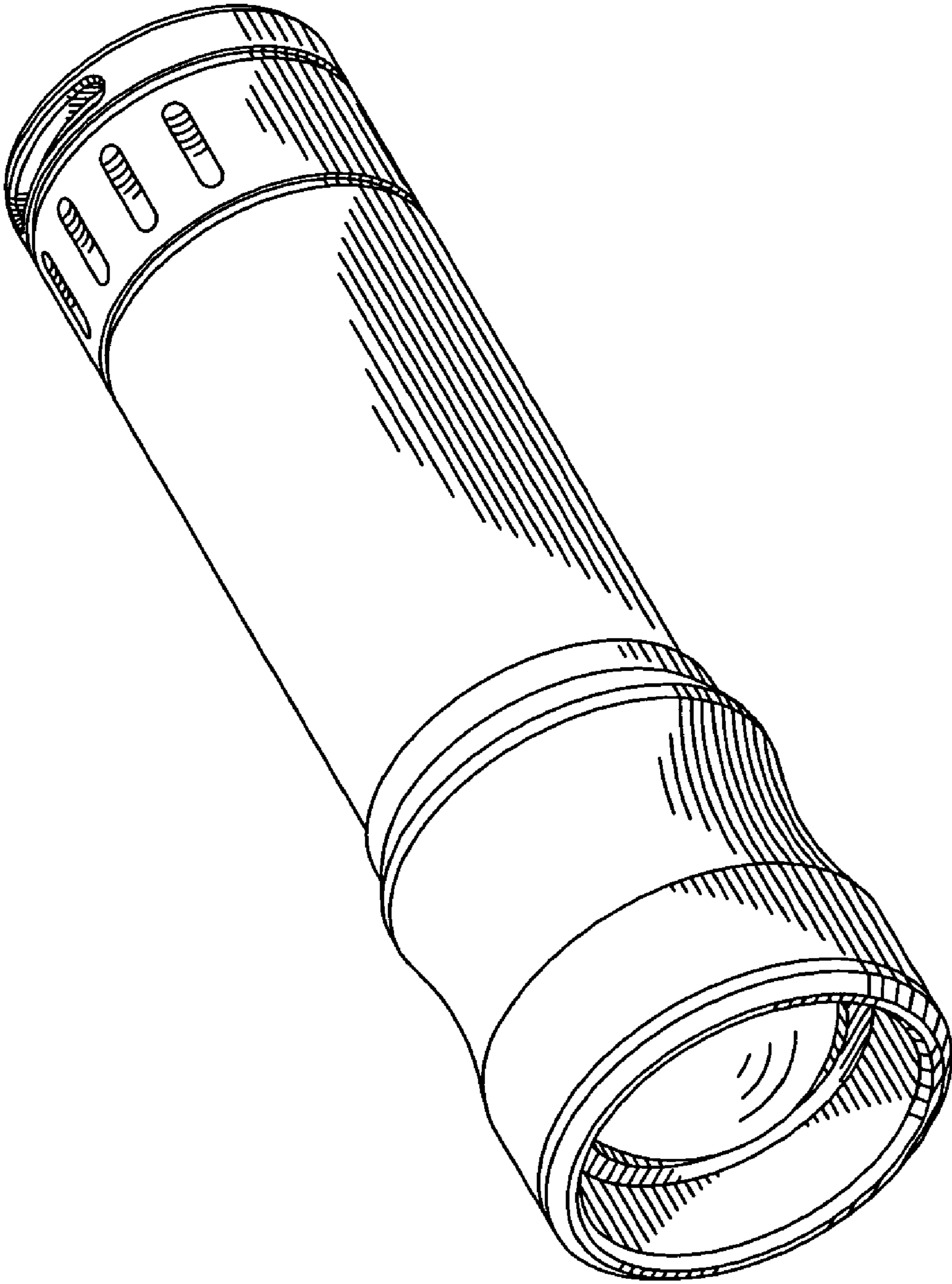


FIG 1

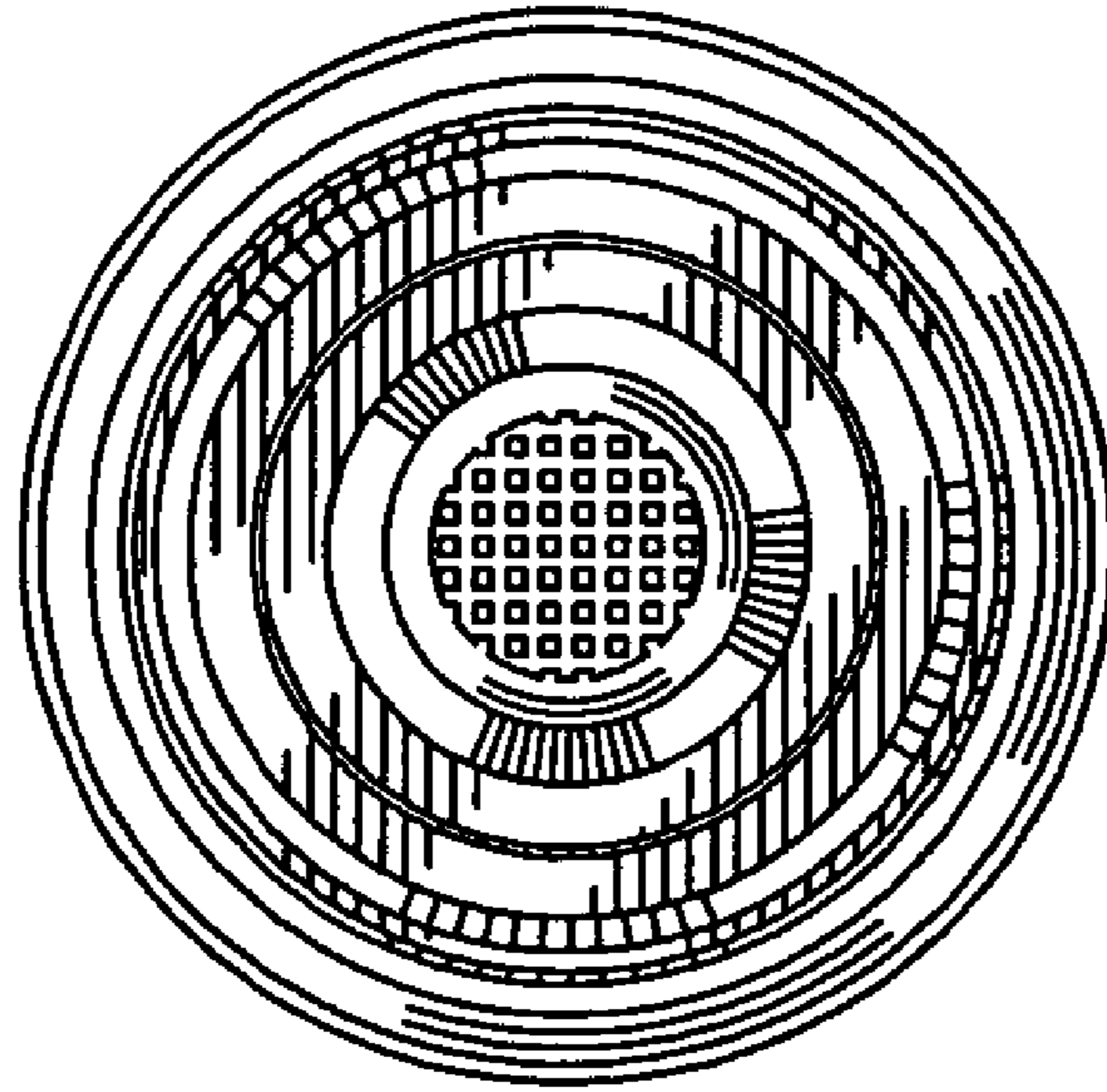


FIG 3

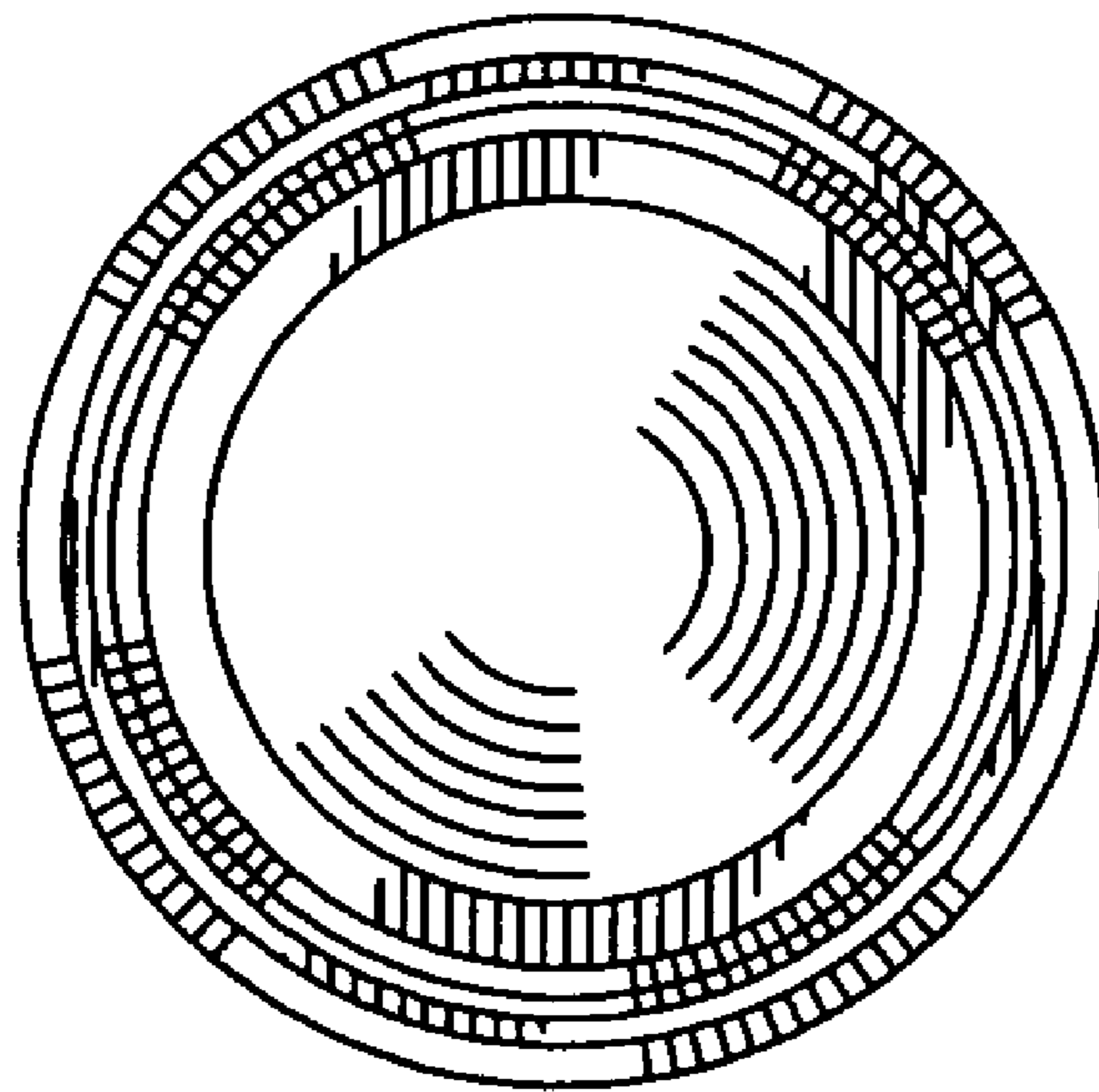


FIG 2

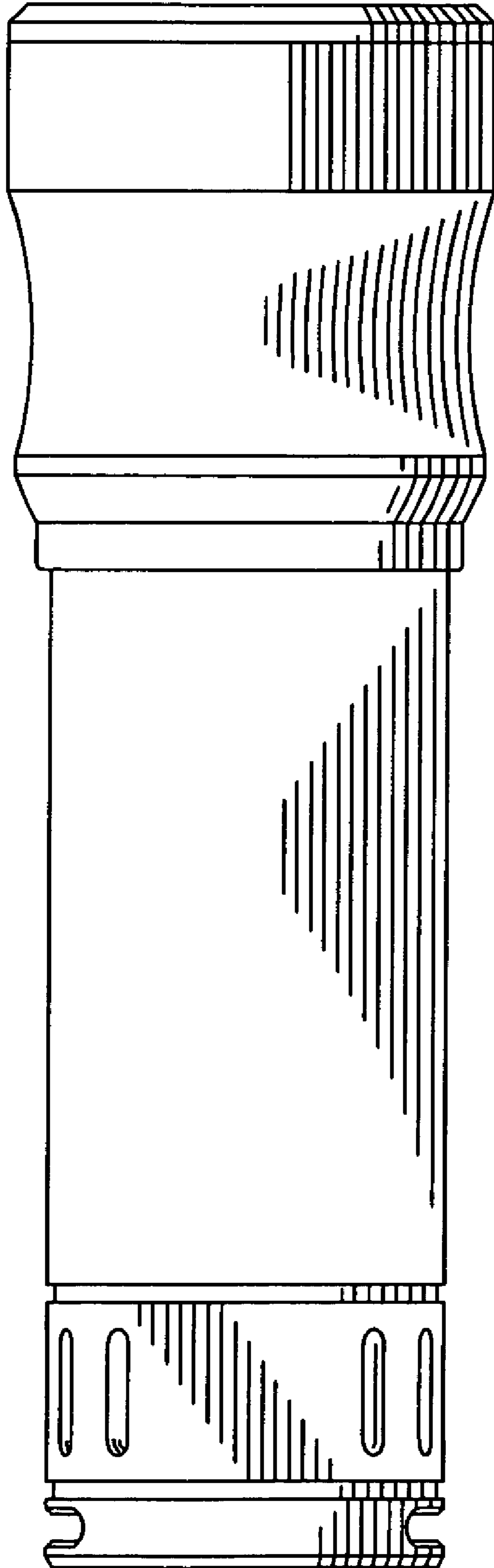


FIG 4

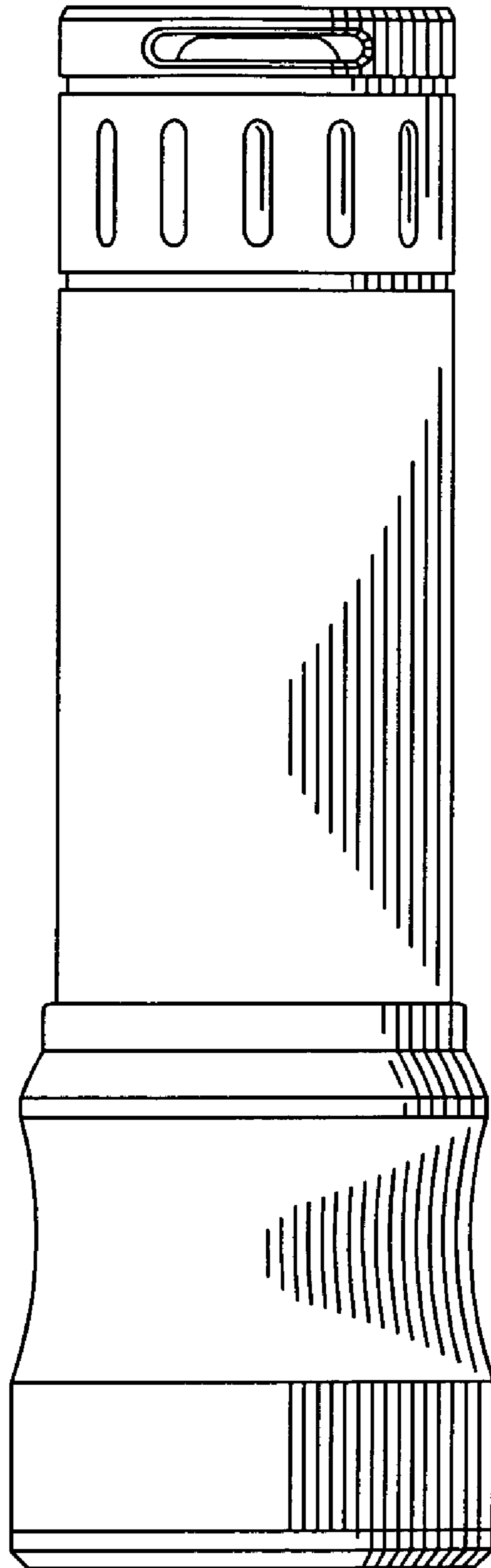


FIG 5

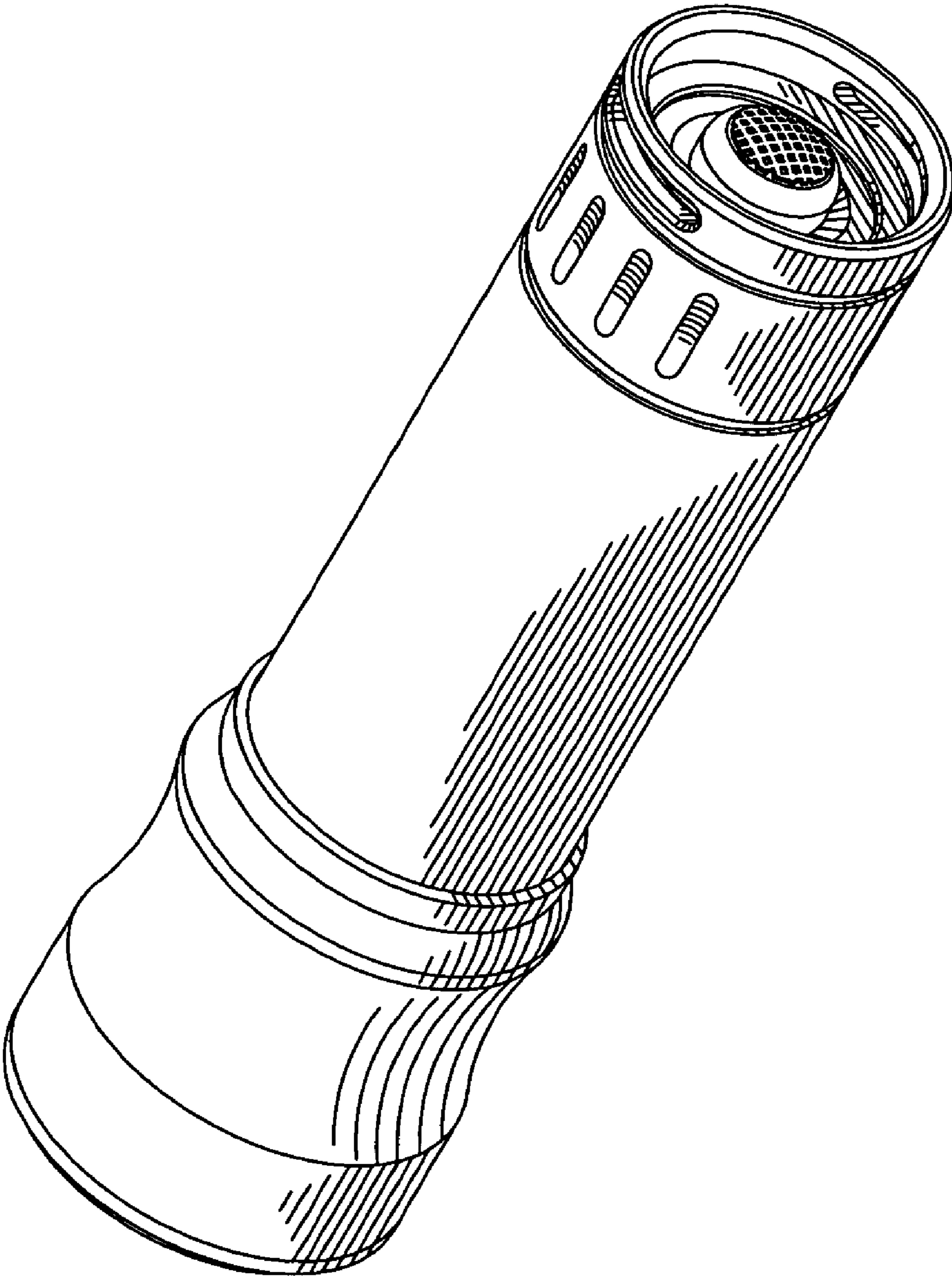


FIG 6

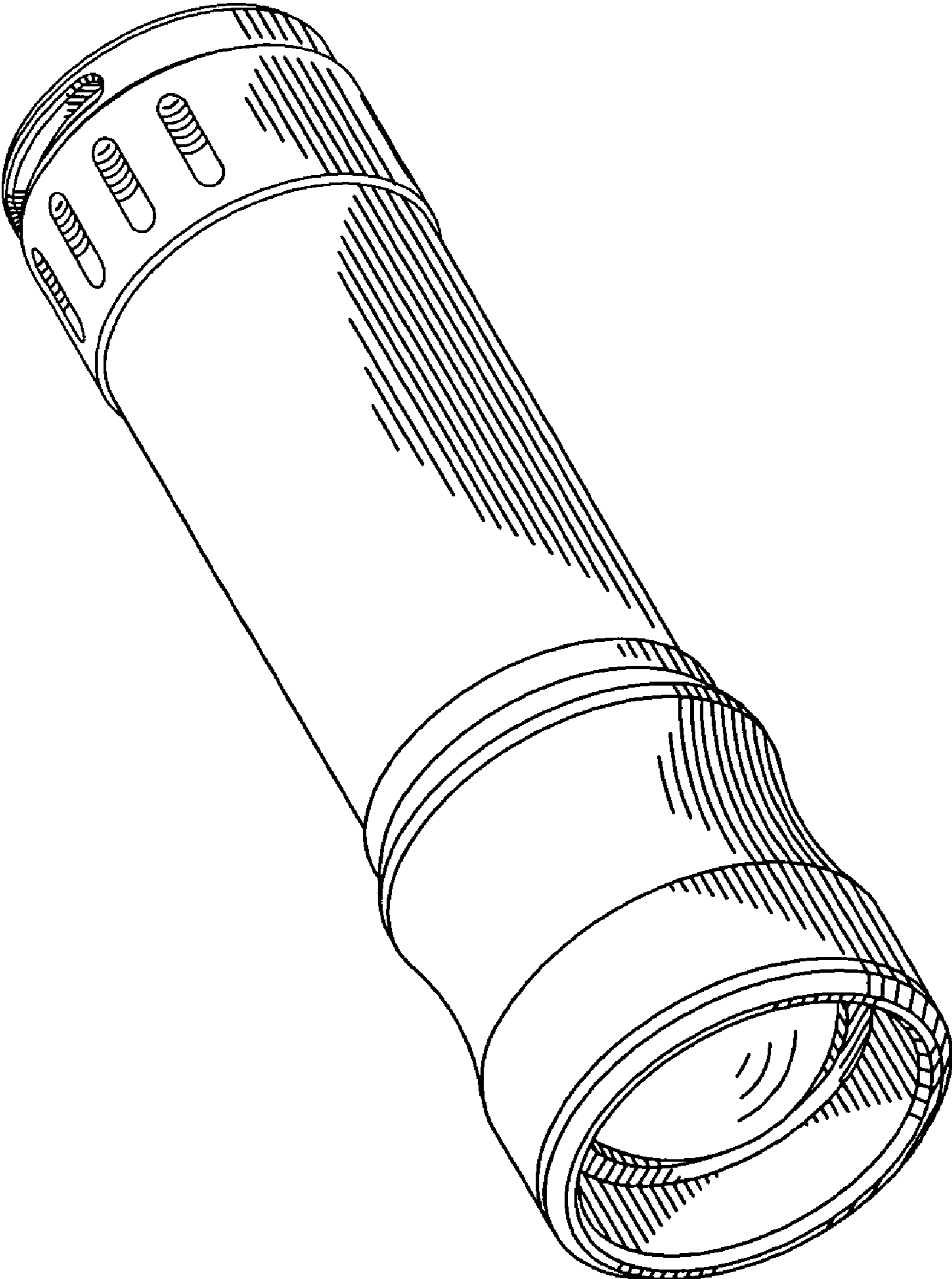


FIG 7

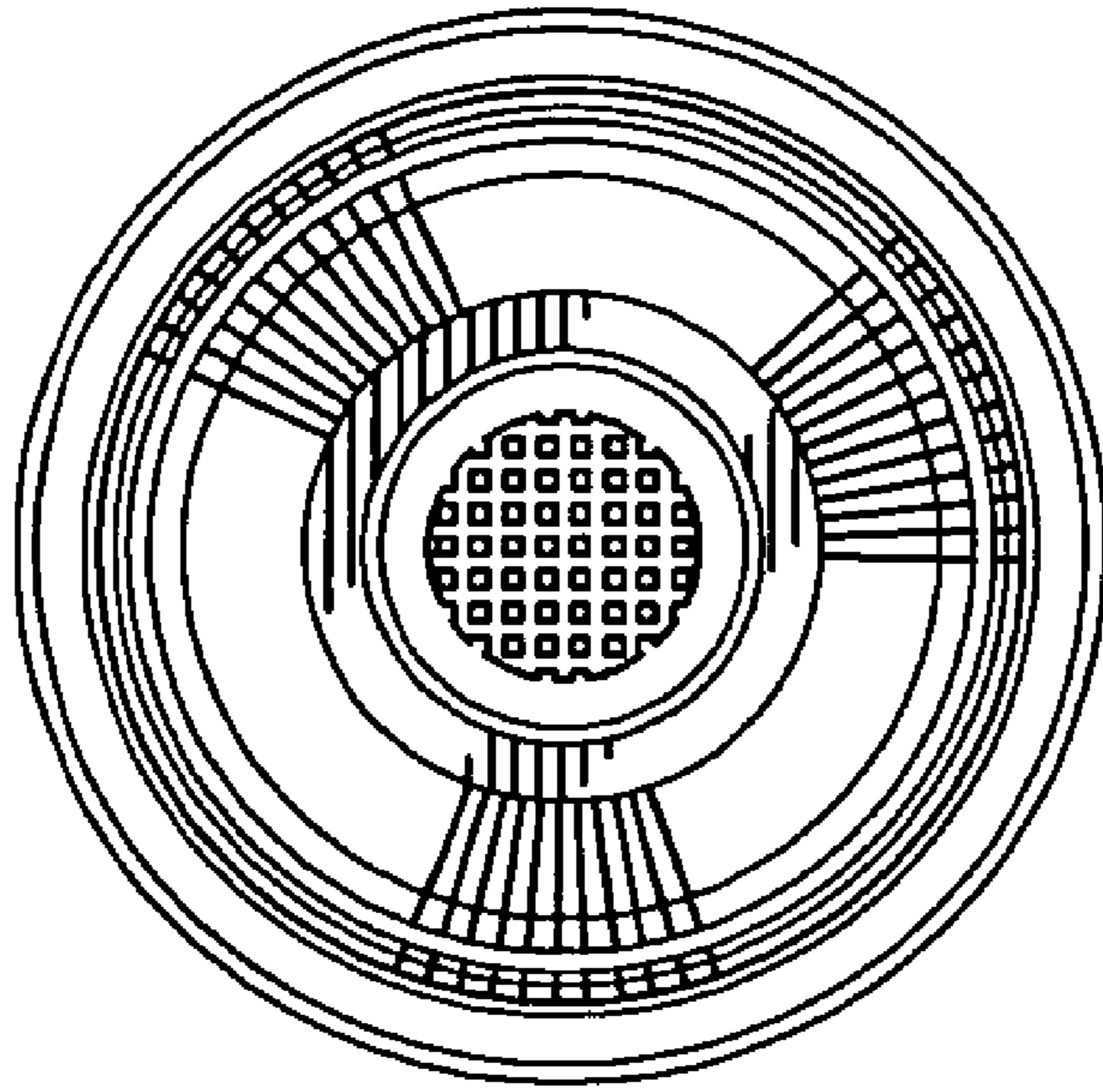


FIG 9

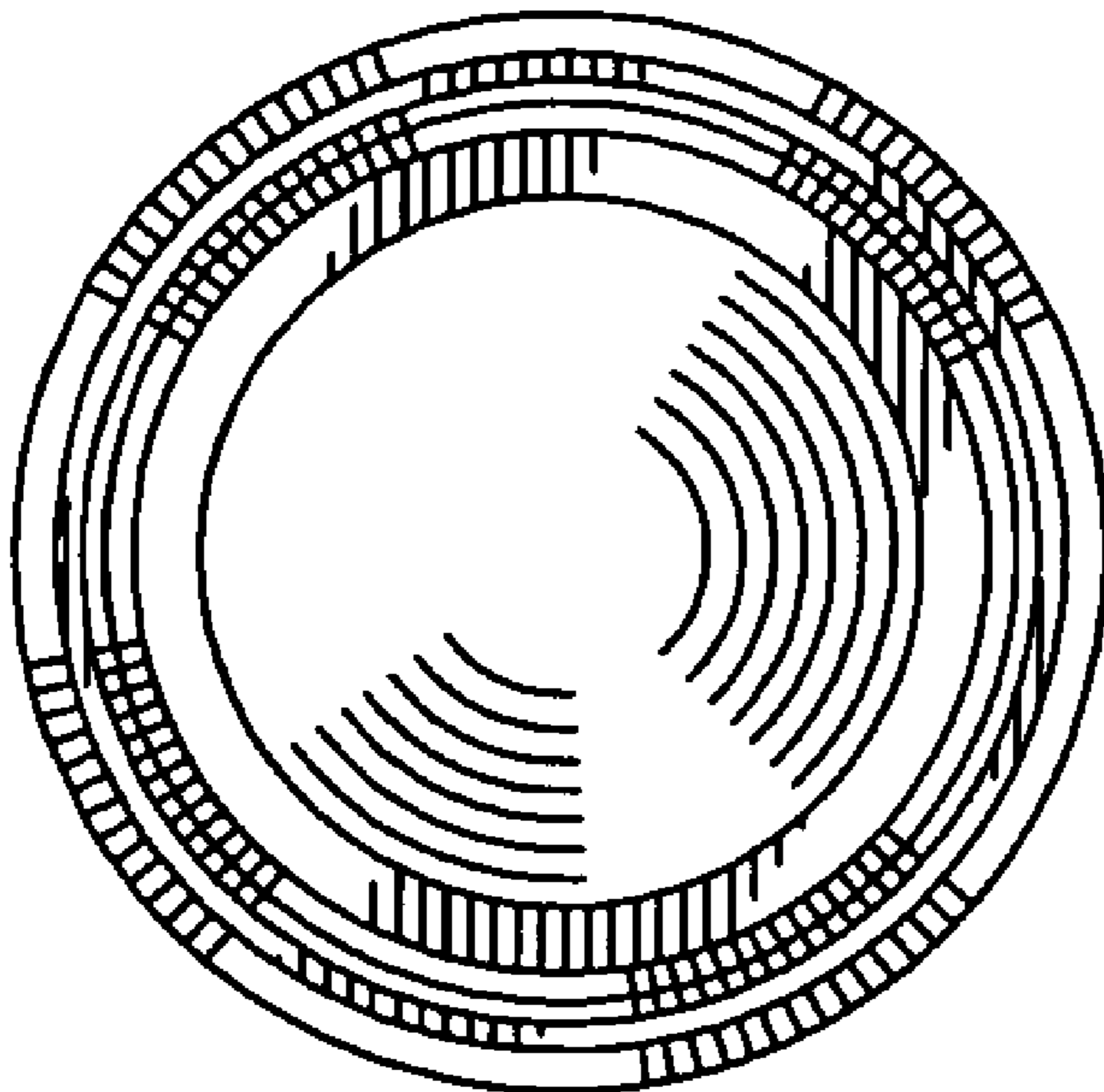


FIG 8



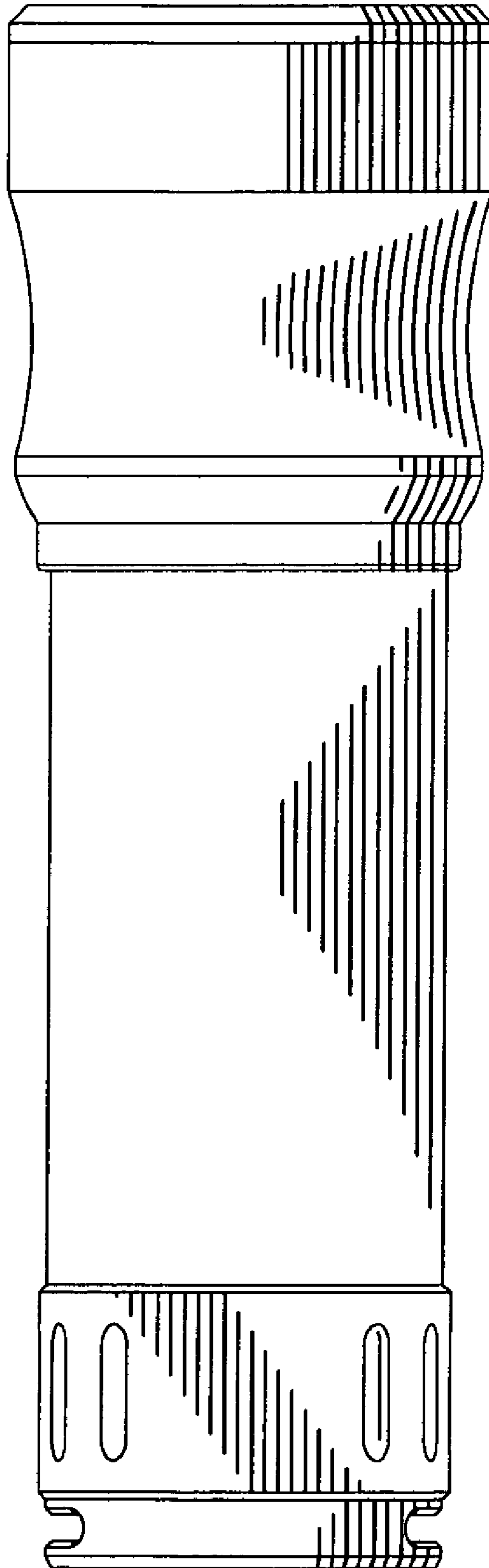


FIG 10

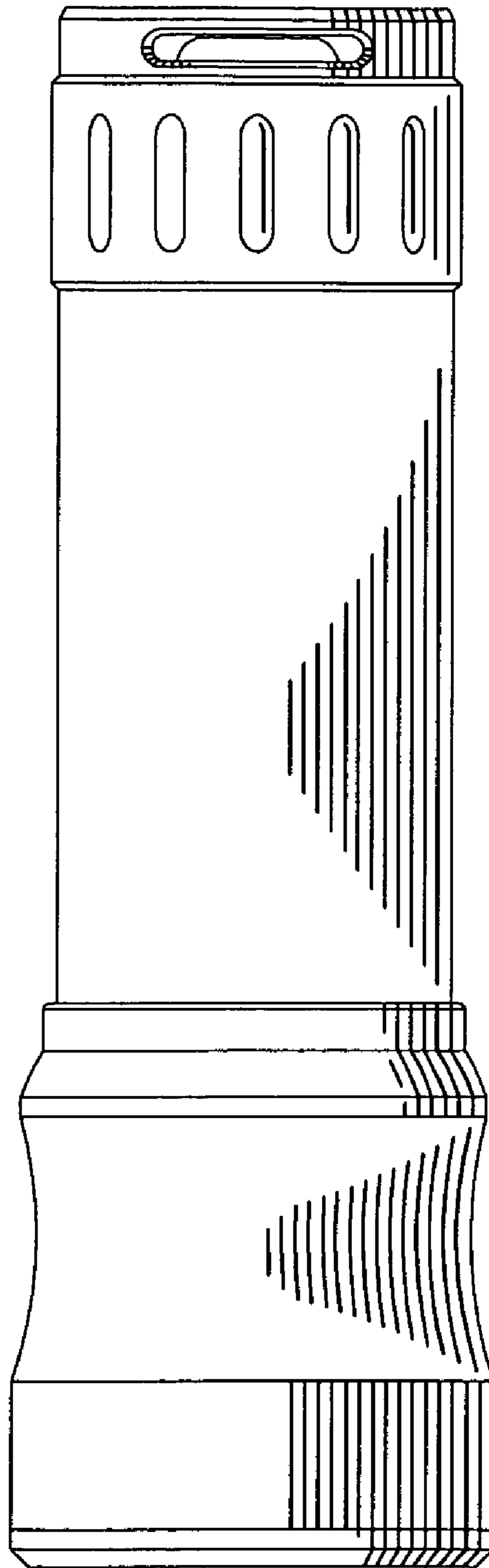


FIG 11

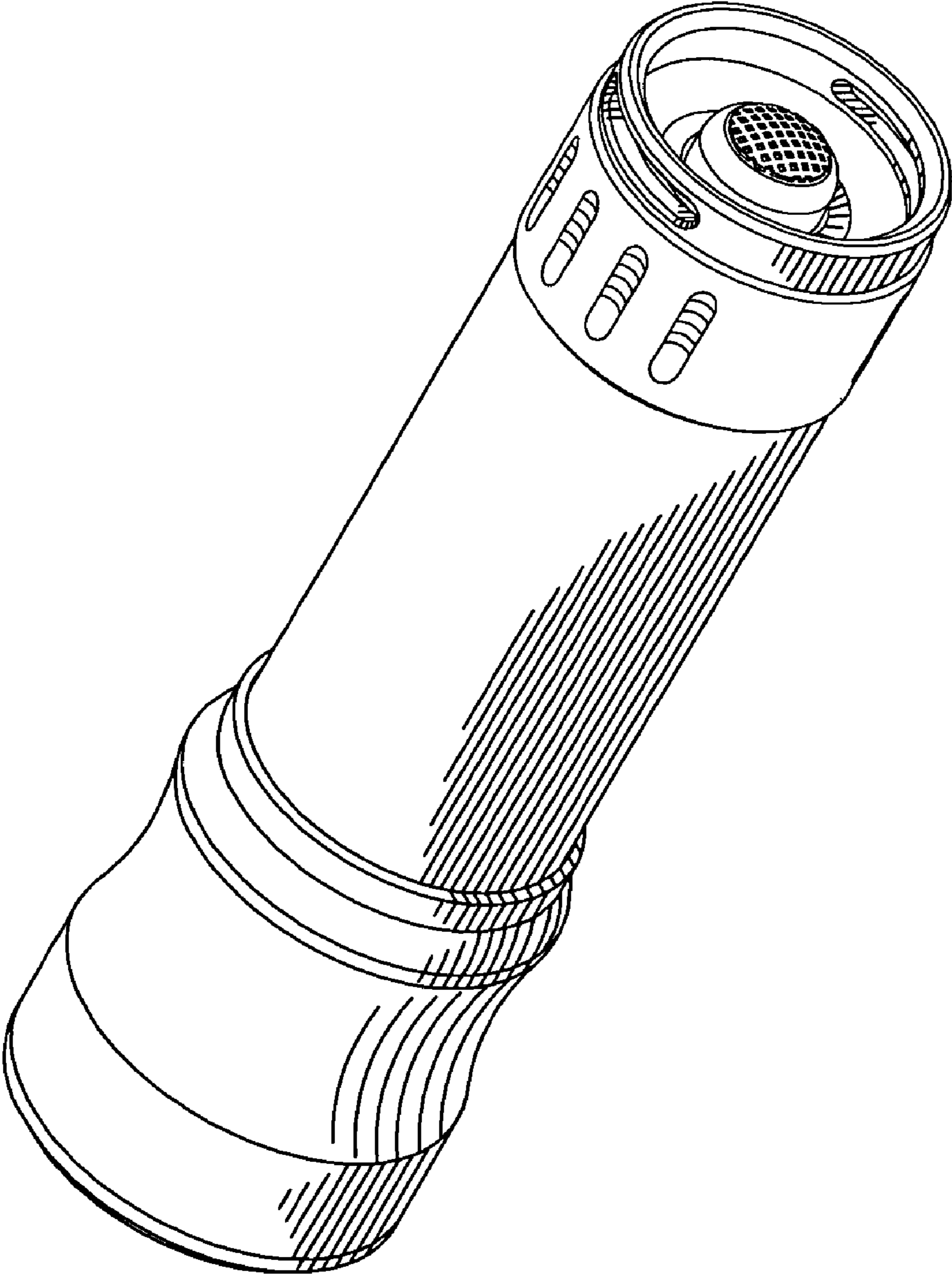


FIG 12