



US00D597234S

(12) **United States Design Patent**  
**Chue**

(10) **Patent No.:** **US D597,234 S**  
(45) **Date of Patent:** **\*\* Jul. 28, 2009**

(54) **STETHOSCOPE WITH REMOVABLE LIGHT ASSEMBLY**

(75) Inventor: **Lap Fu Chue**, Hong Kong (HK)

(73) Assignee: **Kenki (H.K.) Ltd.**, Kowloon (HK)

(\*\*) Term: **14 Years**

(21) Appl. No.: **29/325,161**

(22) Filed: **Sep. 26, 2008**

(51) **LOC (9) Cl.** ..... **26-02**

(52) **U.S. Cl.** ..... **D26/39; D24/134**

(58) **Field of Classification Search** ..... D24/134,  
D24/135, 140, 165; D26/38, 39, 60; 181/131-137;  
600/527, 528, 199, 200; 362/109, 200, 396  
See application file for complete search history.

(56) **References Cited**

**U.S. PATENT DOCUMENTS**

D353,196	S *	12/1994	Savage et al.	.....	D24/134
D361,840	S *	8/1995	Savage et al.	.....	D24/134
D490,923	S *	6/2004	Costa et al.	.....	D26/39
6,932,186	B2 *	8/2005	Costa et al.	.....	181/131
7,036,627	B2 *	5/2006	Costa et al.	.....	181/131
D524,940	S *	7/2006	Costa et al.	.....	D24/134
7,448,769	B1 *	11/2008	Coushaine et al.	.....	362/201

\* cited by examiner

*Primary Examiner*—Ian Simmons  
*Assistant Examiner*—Christopher Lee  
(74) *Attorney, Agent, or Firm*—McNeely Bodendorf LLP

(57) **CLAIM**

The ornamental design for a stethoscope with removable light assembly, as shown and described.

**DESCRIPTION**

FIG. 1 is a perspective top view of the stethoscope with removable light assembly showing the new design.

FIG. 2 is a perspective top view of the stethoscope with removable light assembly in a partial open position.

FIG. 3 is a top view of the stethoscope with removable light assembly.

FIG. 4 is a bottom view of the stethoscope with removable light assembly.

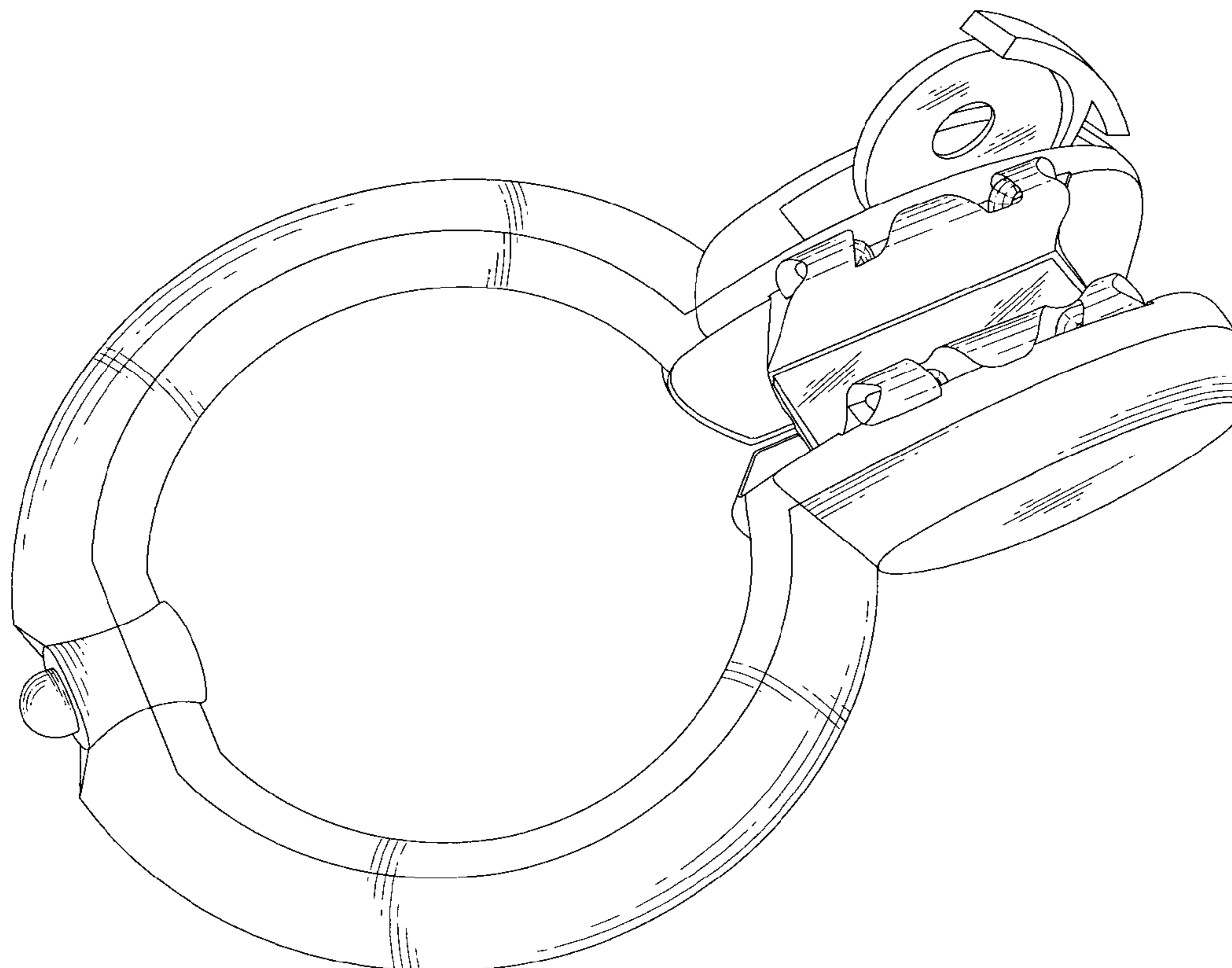
FIG. 5 is a left side view of the stethoscope with removable light assembly.

FIG. 6 is a right side view of the stethoscope with removable light assembly.

FIG. 7 is a front view of the stethoscope with removable light assembly; and,

FIG. 8 is a rear view of the stethoscope with removable light assembly.

**1 Claim, 5 Drawing Sheets**



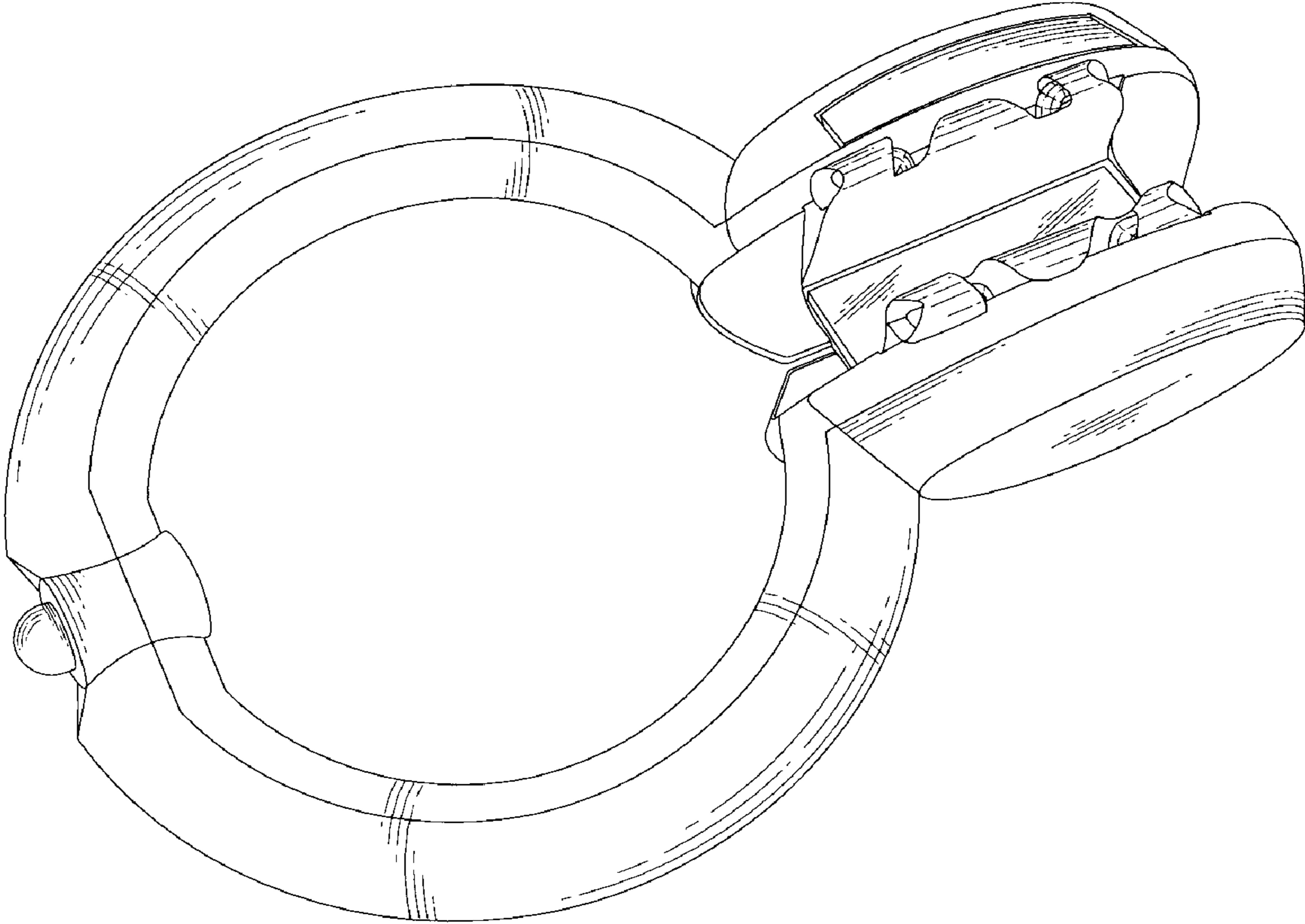


Fig. 1

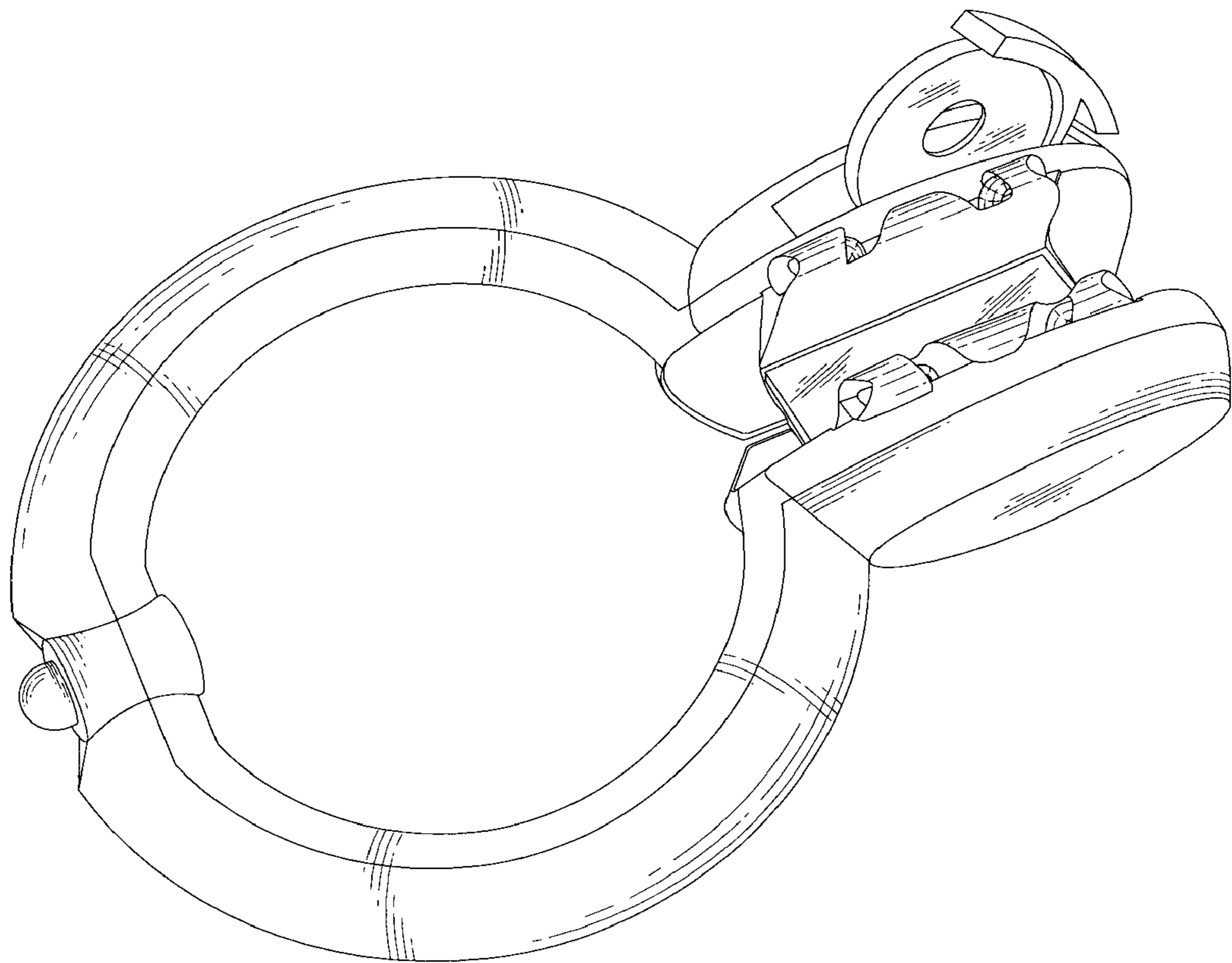


Fig. 2

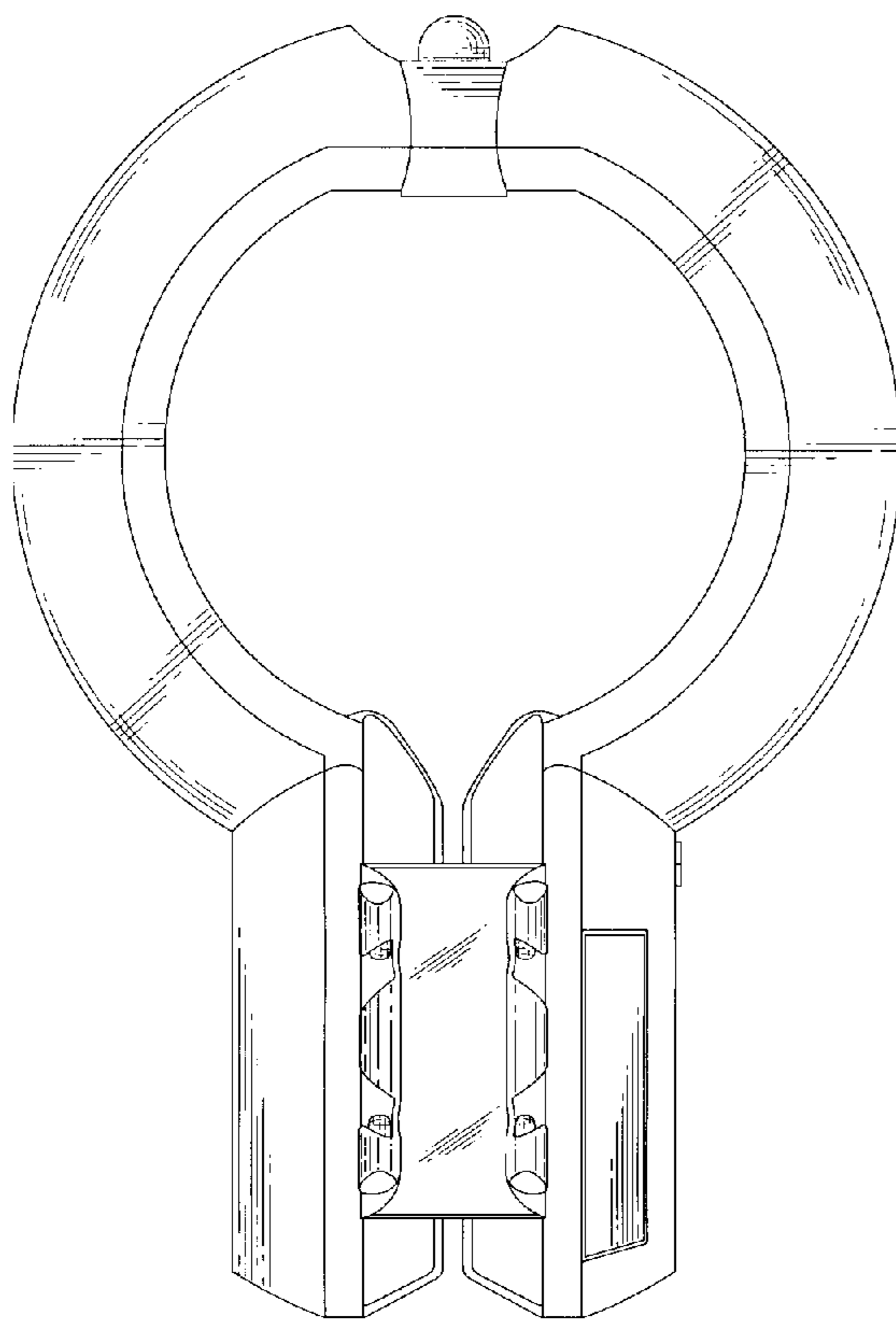


Fig. 3

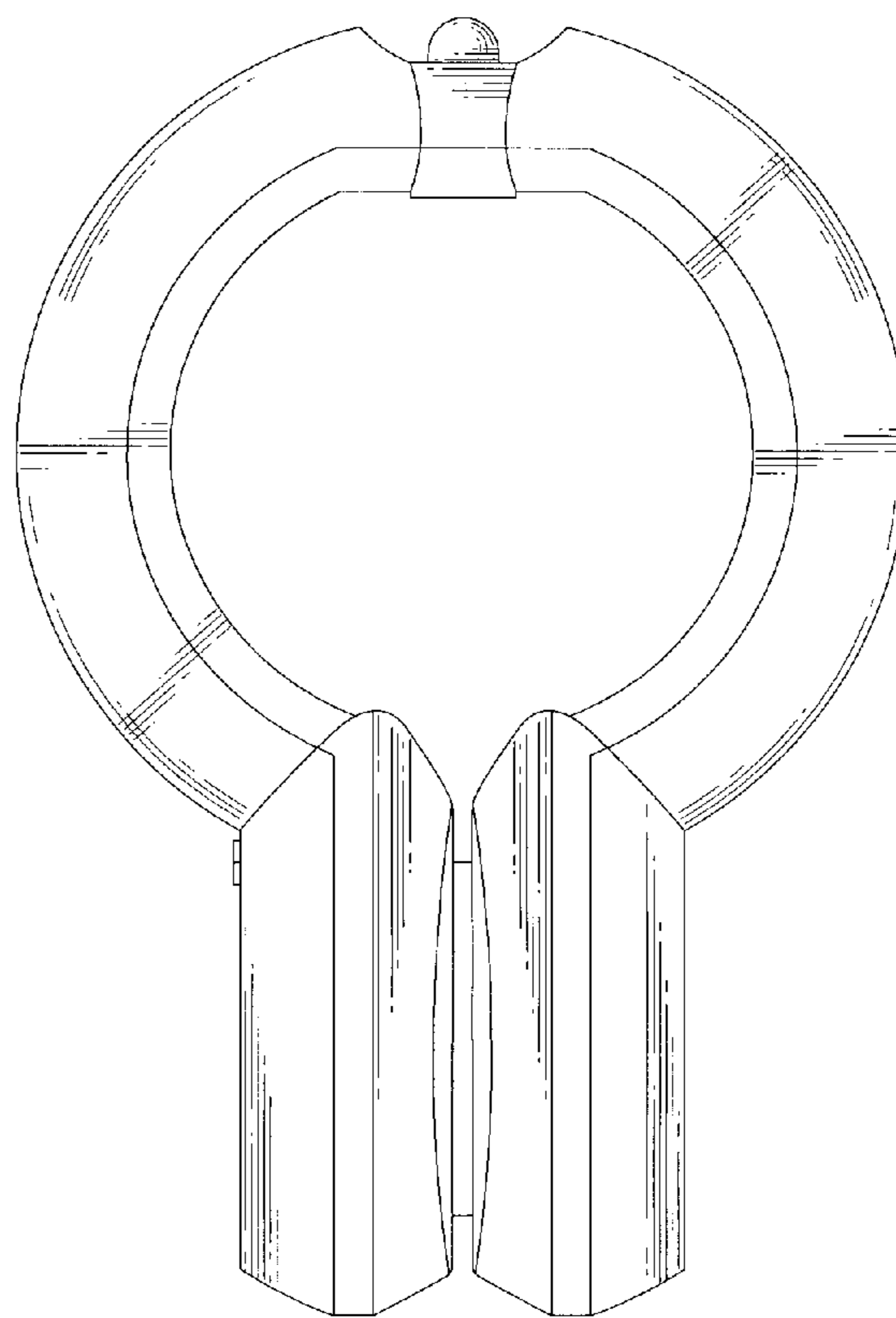


Fig. 4

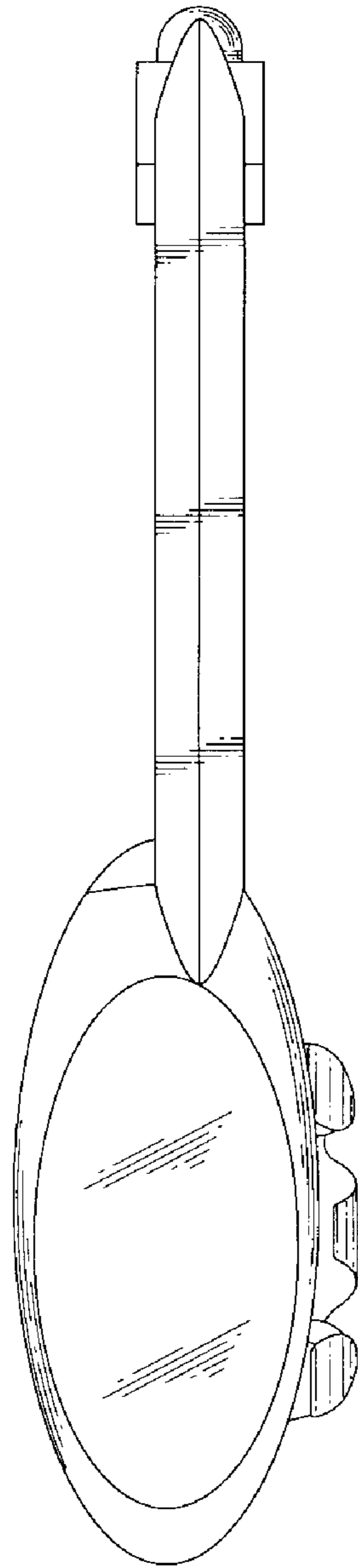


Fig. 5

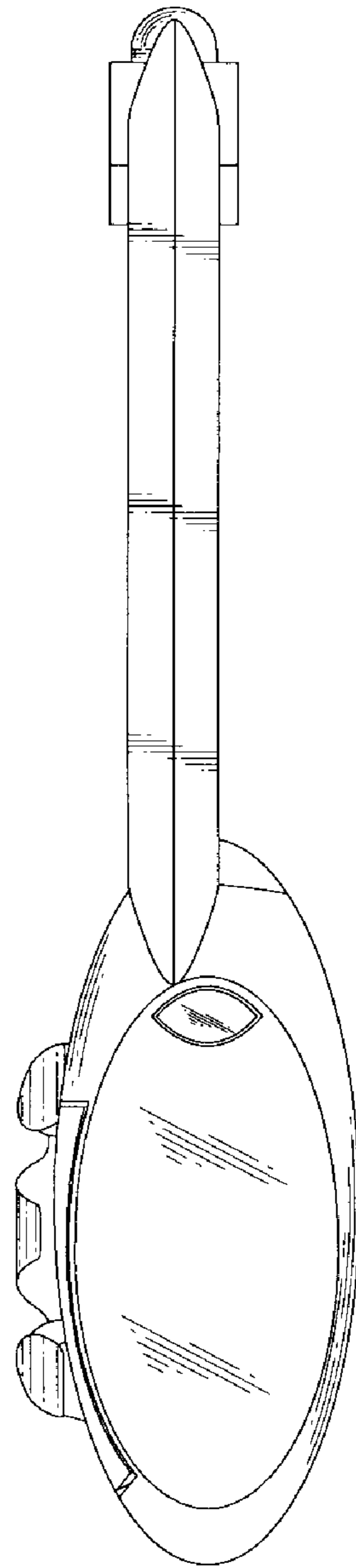


Fig. 6

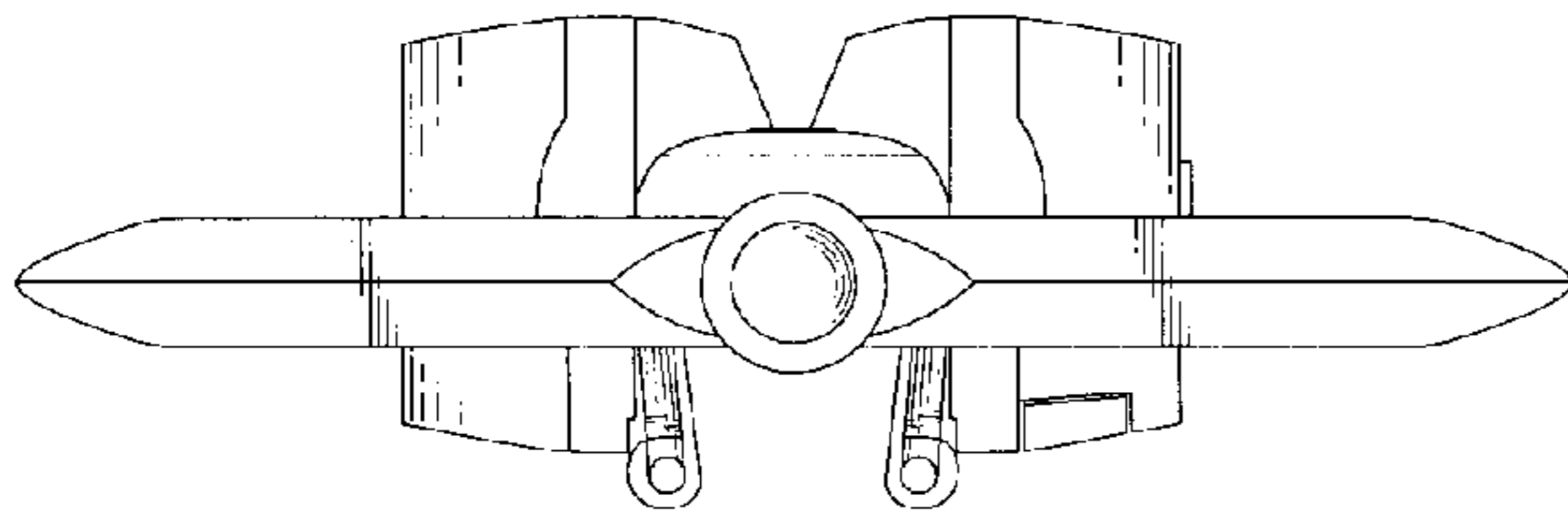


Fig. 7

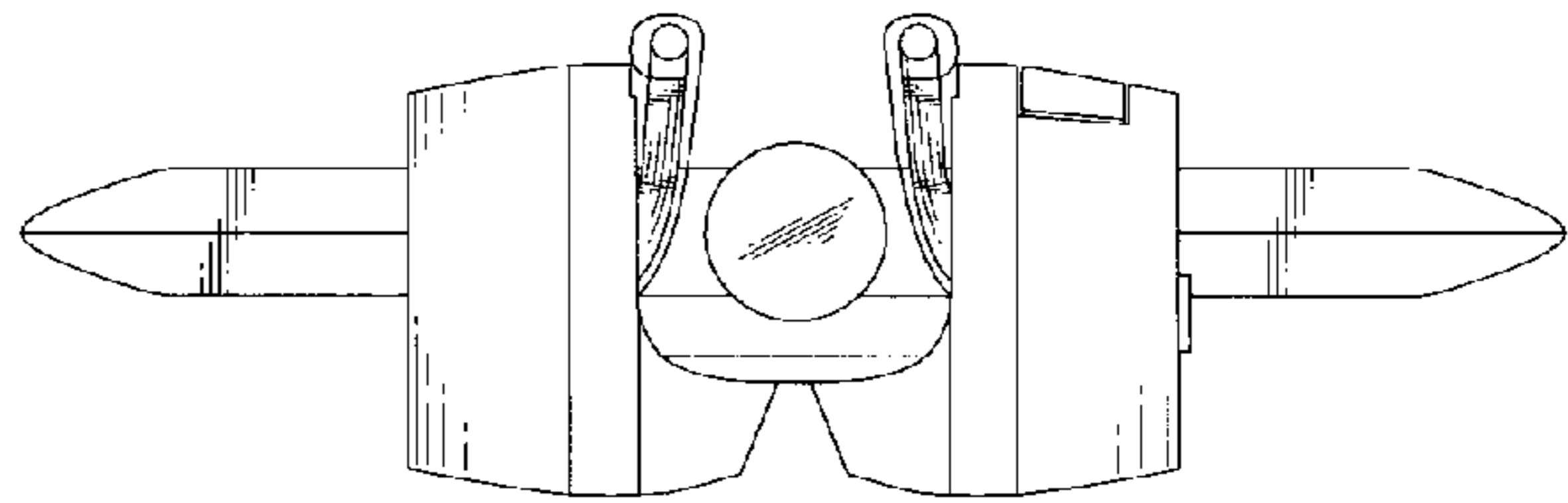


Fig. 8