



US00D597230S

(12) **United States Design Patent**
May

(10) **Patent No.:** **US D597,230 S**

(45) **Date of Patent:** **** Jul. 28, 2009**

(54) **MOTORCYCLE OFFSET DRIVING LIGHTS**

(75) Inventor: **Darron B. May**, Stillwater, MN (US)

(73) Assignee: **Kuryakyn Holdings, Inc.**, Somerset, WI (US)

(**) Term: **14 Years**

(21) Appl. No.: **29/313,567**

(22) Filed: **Jan. 22, 2009**

(51) **LOC (9) Cl.** **26-06**

(52) **U.S. Cl.** **D26/28**

(58) **Field of Classification Search** D26/28-36;
362/459-468, 475-478, 485-487
See application file for complete search history.

(56) **References Cited**

U.S. PATENT DOCUMENTS

D540,481 S	*	4/2007	Okuda	D26/28
D551,786 S	*	9/2007	Smith	D26/28
D560,834 S	*	1/2008	Nagano	D26/28
D570,508 S	*	6/2008	Kouchi	D26/28

OTHER PUBLICATIONS

2006 Harley-Davidson Accessory Catalog, "Customer Auxiliary Lighting Bracket Kit", cover page, p. 495 and five (5) photographs thereof. (7 pages).

* cited by examiner

Primary Examiner—Marcus A. Jackson

(74) *Attorney, Agent, or Firm*—Dicke, Billig & Czaja, PLLC

(57) **CLAIM**

The ornamental design for motorcycle offset driving lights, as shown and described.

DESCRIPTION

Reference is hereby made to co-pending application Ser. No. 29/313,558, filed Jan. 21, 2009, entitled "Motorcycle Driving Lights."

FIG. 1 is a front perspective view of the motorcycle offset driving lights of the present invention.

FIG. 2 is a front elevation view thereof.

FIG. 3 is a rear elevation view thereof.

FIG. 4 is a left side view thereof.

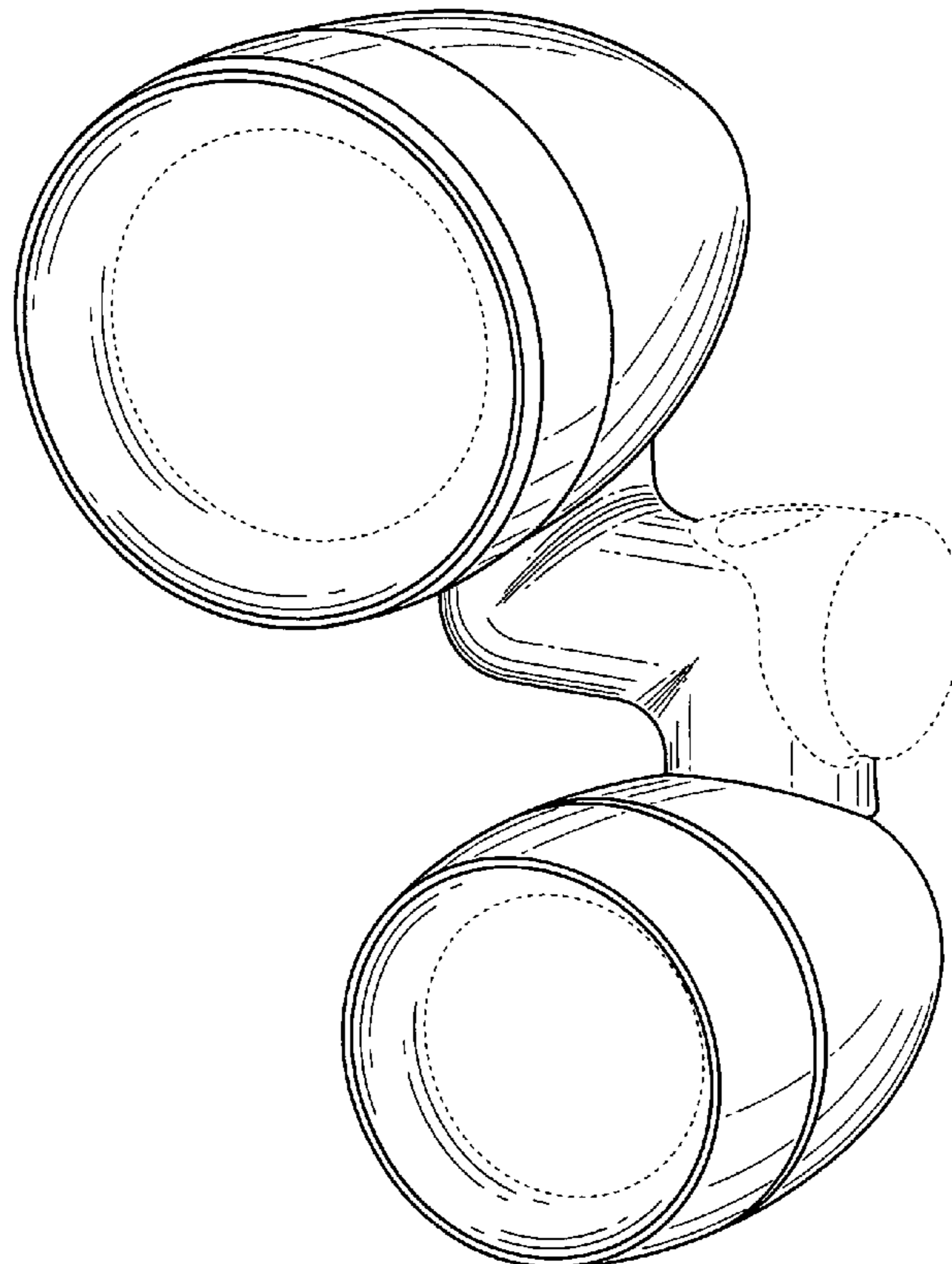
FIG. 5 is a right side view thereof.

FIG. 6 is a top view thereof; and,

FIG. 7 is a bottom view thereof.

Those portions of the motorcycle offset driving lights shown in broken lines form no part of the claimed design.

1 Claim, 7 Drawing Sheets



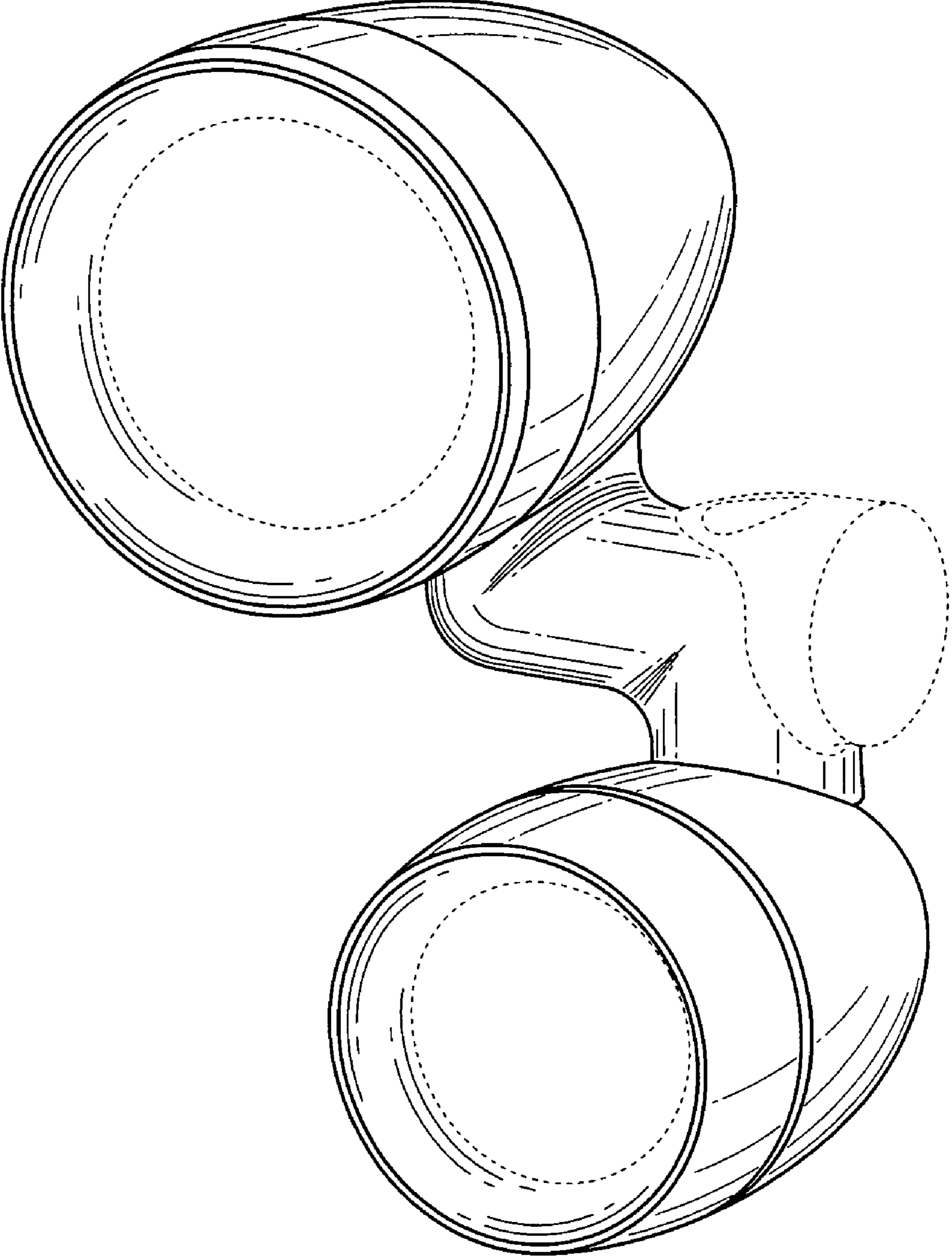


Fig. 1

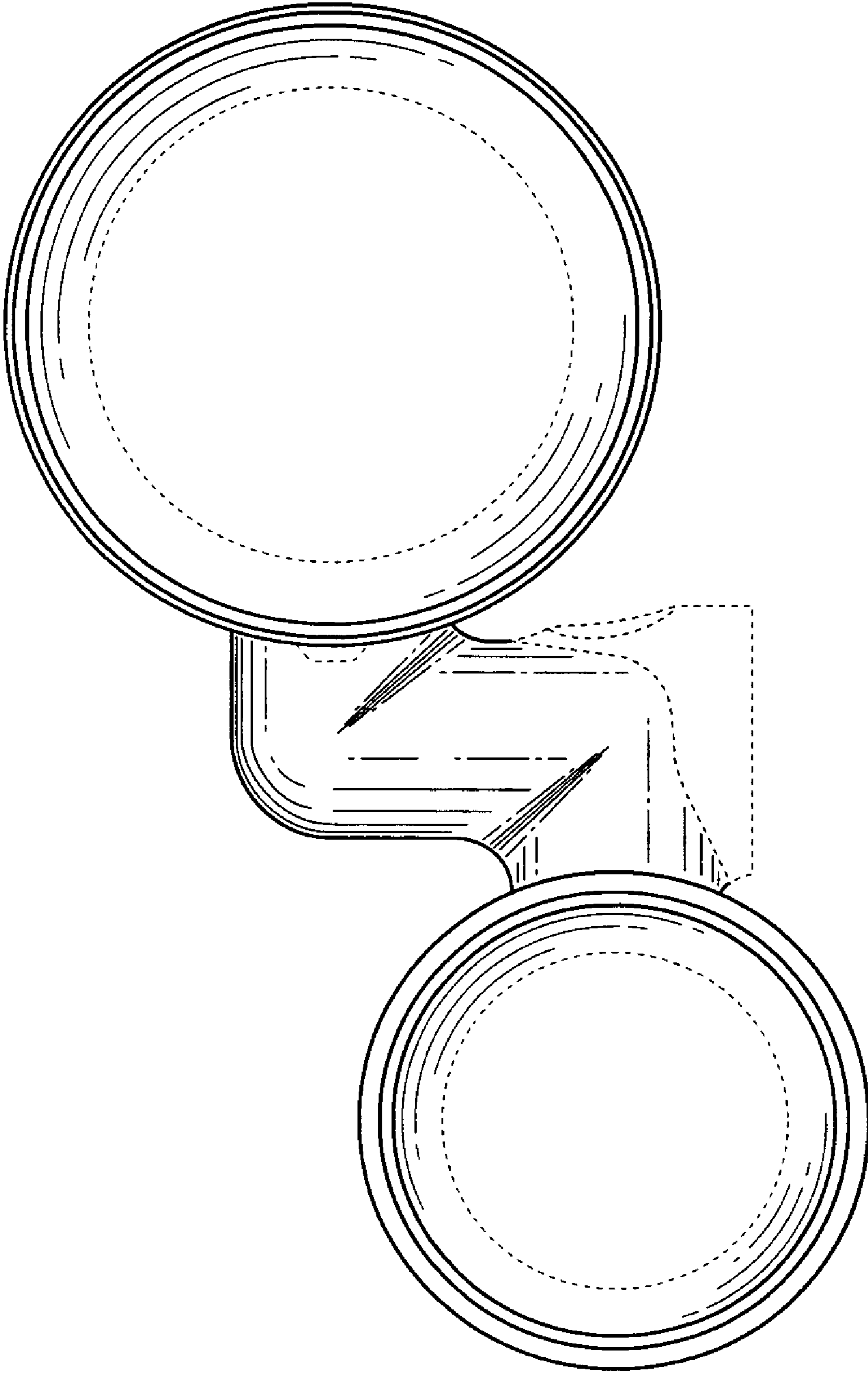


Fig. 2

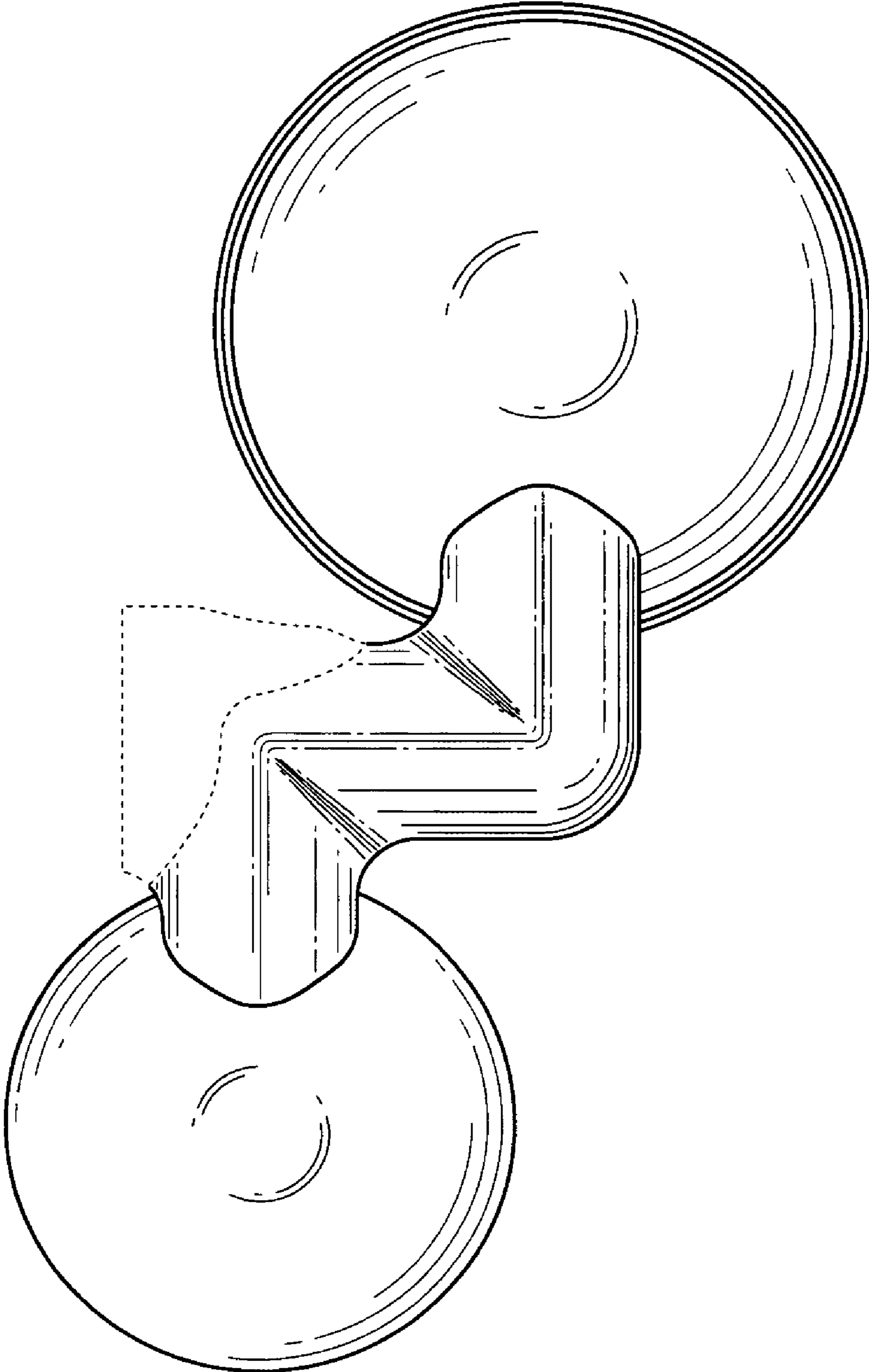


Fig. 3

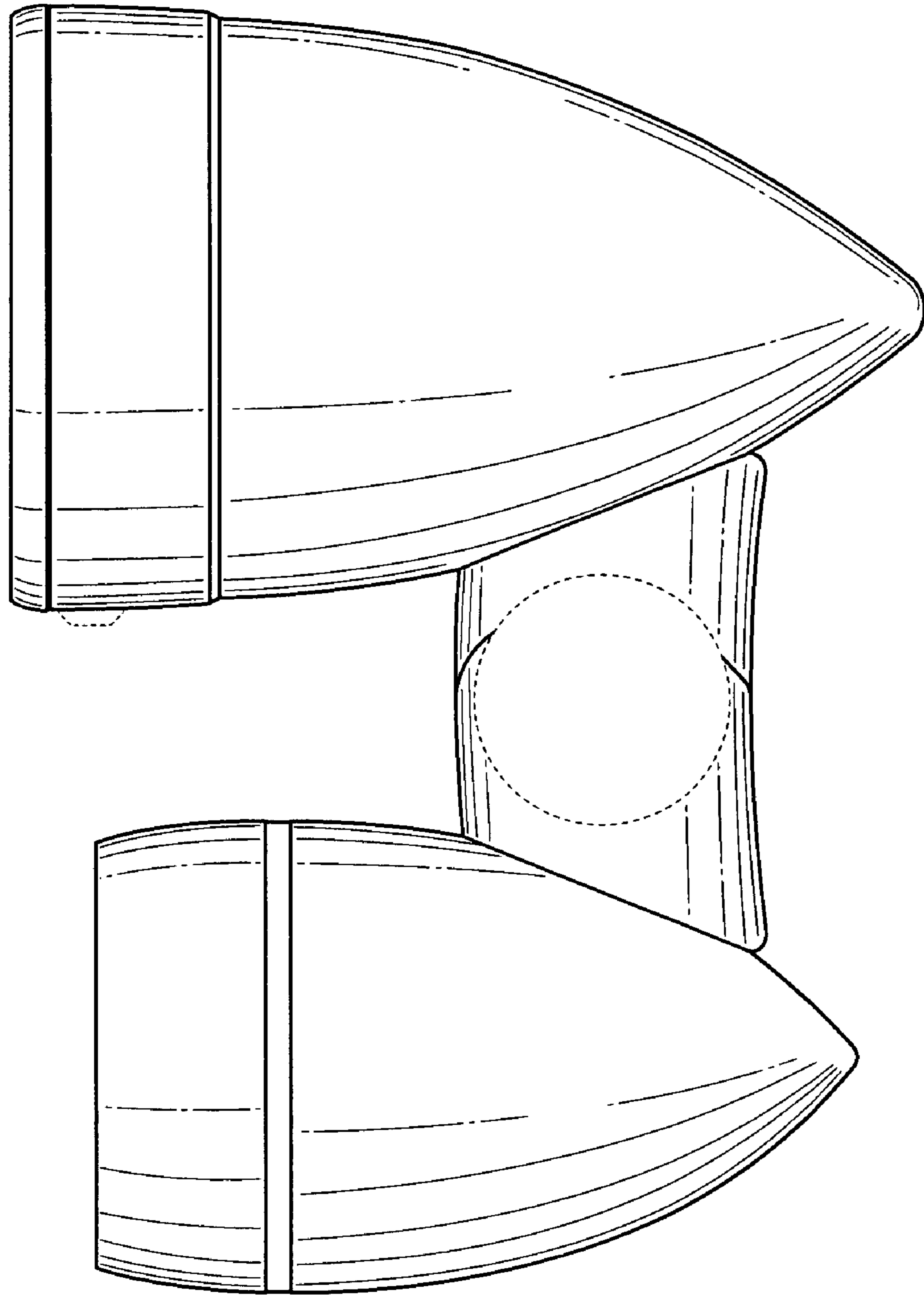


Fig. 4

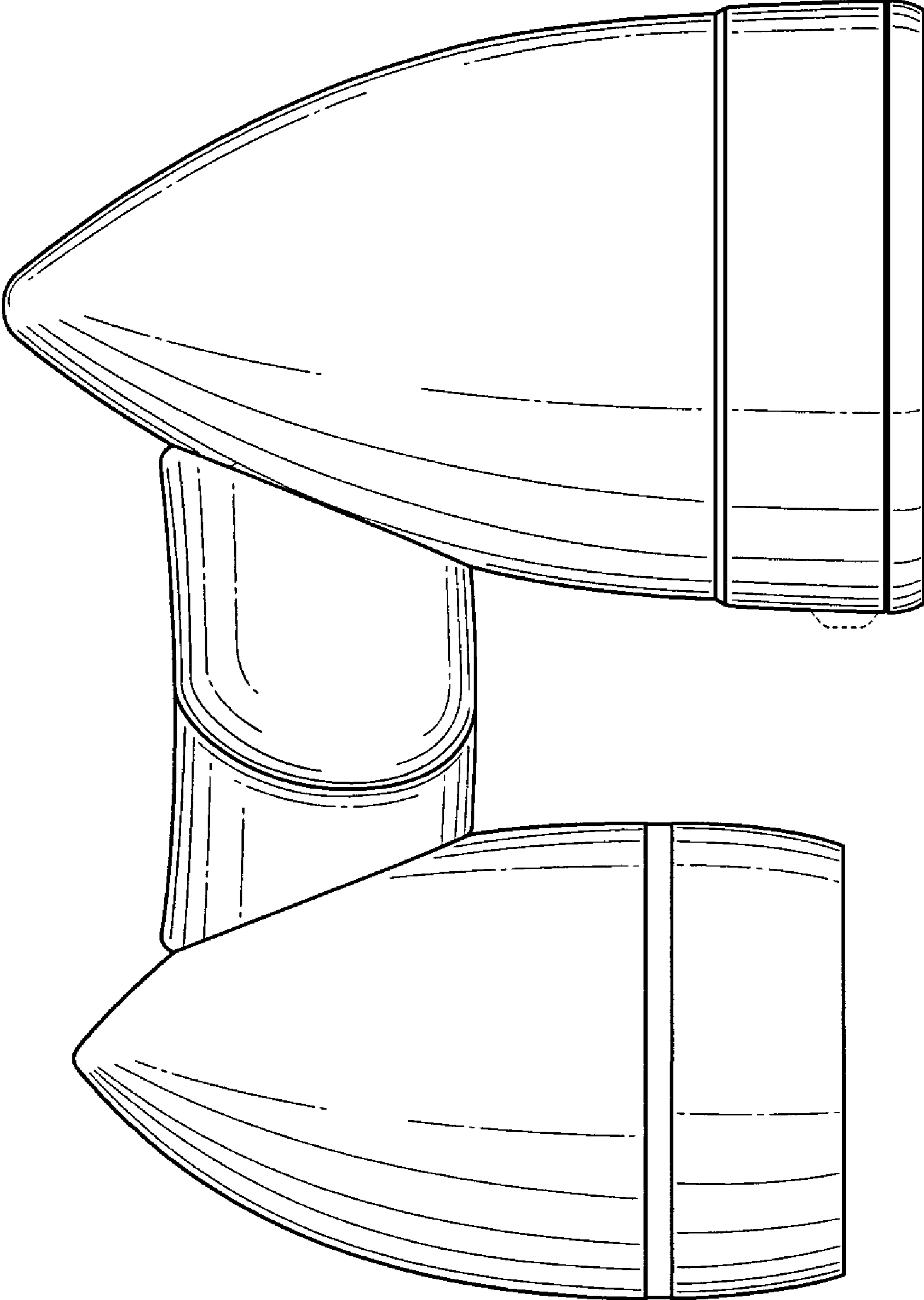


Fig. 5

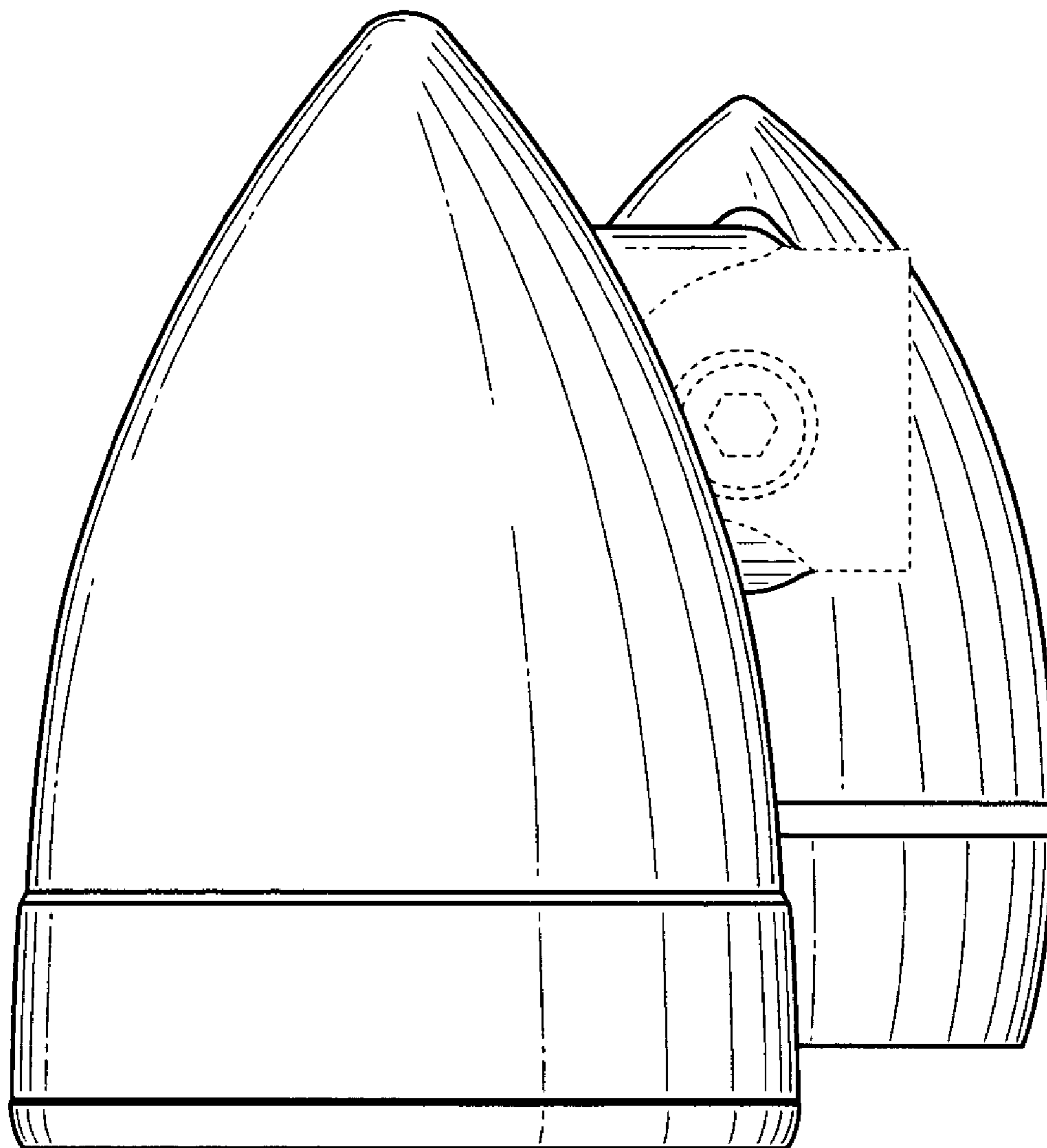


Fig. 6

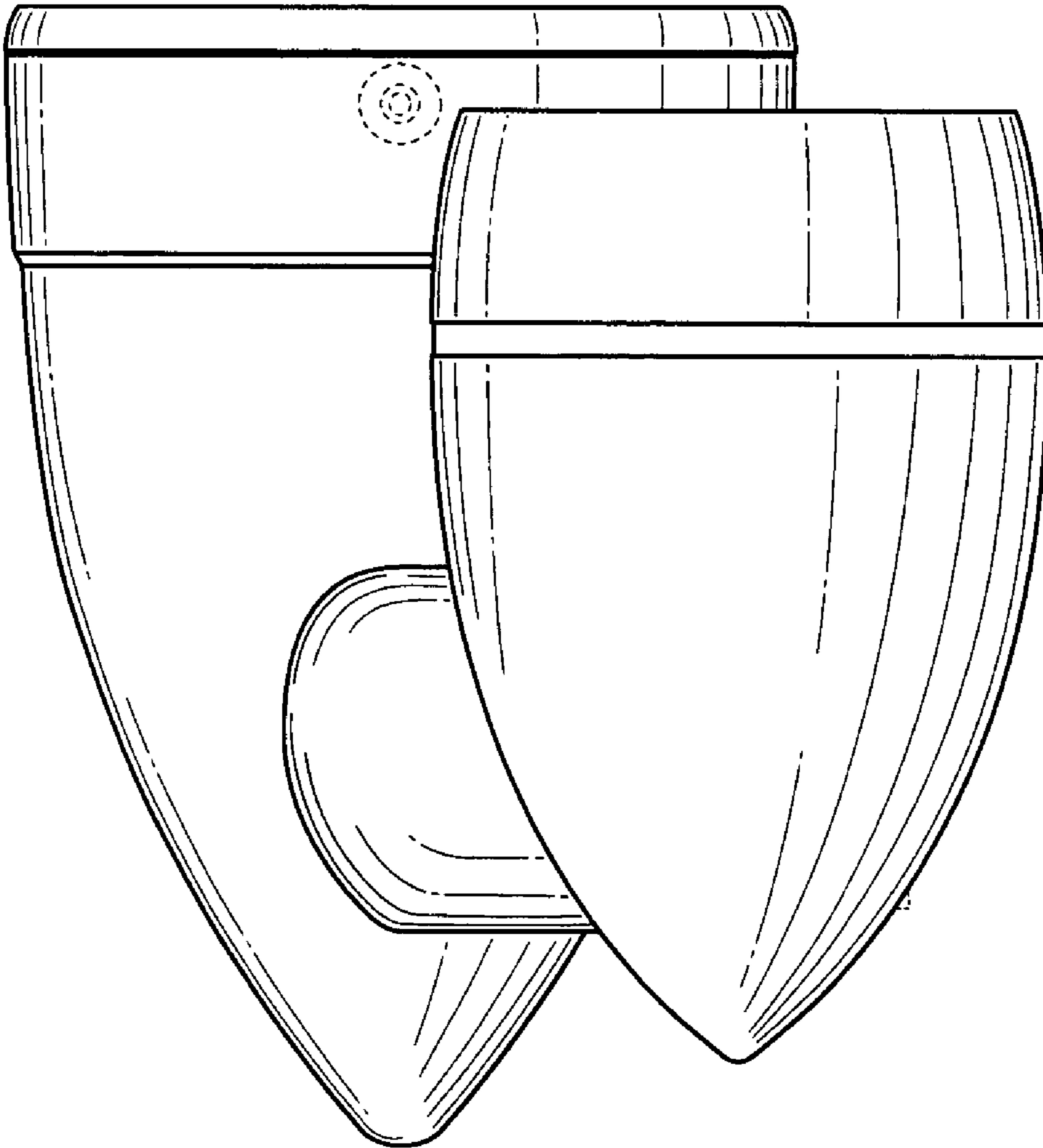


Fig. 7