



US00D597229S

(12) **United States Design Patent**
Tamura

(10) **Patent No.:** **US D597,229 S**
(45) **Date of Patent:** **** Jul. 28, 2009**

(54) **REAR COMBINATION LAMP FOR AN
AUTOMOBILE**

D561,359 S * 2/2008 Hsu D26/28
D563,576 S * 3/2008 Hanaoka D26/28

(75) Inventor: **Gen Tamura**, Saitama (JP)

FOREIGN PATENT DOCUMENTS

JP 2007-022681 8/2007

(73) Assignee: **Honda Motor Co., Ltd.**, Tokyo (JP)

* cited by examiner

(**) Term: **14 Years**

Primary Examiner—Marcus A. Jackson

(21) Appl. No.: **29/300,086**

(74) *Attorney, Agent, or Firm*—Westerman, Hattori, Daniels & Adrian, LLP.

(22) Filed: **Feb. 20, 2008**

(57) **CLAIM**

(30) **Foreign Application Priority Data**

The ornamental design for a front combination lamp for an automobile, as shown and described.

Aug. 22, 2007 (JP) 2007-022693

DESCRIPTION

(51) **LOC (9) Cl.** **26-06**

FIG. 1 is a perspective view of a rear combination lamp for an automobile, showing our new design;

(52) **U.S. Cl.** **D26/28**

FIG. 2 is a front elevation view thereof;

(58) **Field of Classification Search** D26/28-36;
362/459-468, 475-478, 485-487
See application file for complete search history.

FIG. 3 is a top plan view thereof; and,

FIG. 4 is a left side elevation view thereof.

The broken lines are for illustrative purposes only and form no part of the claimed design.

(56) **References Cited**

U.S. PATENT DOCUMENTS

D560,291 S * 1/2008 Koyama D26/28

D561,358 S * 2/2008 Tachibana D26/28

1 Claim, 4 Drawing Sheets

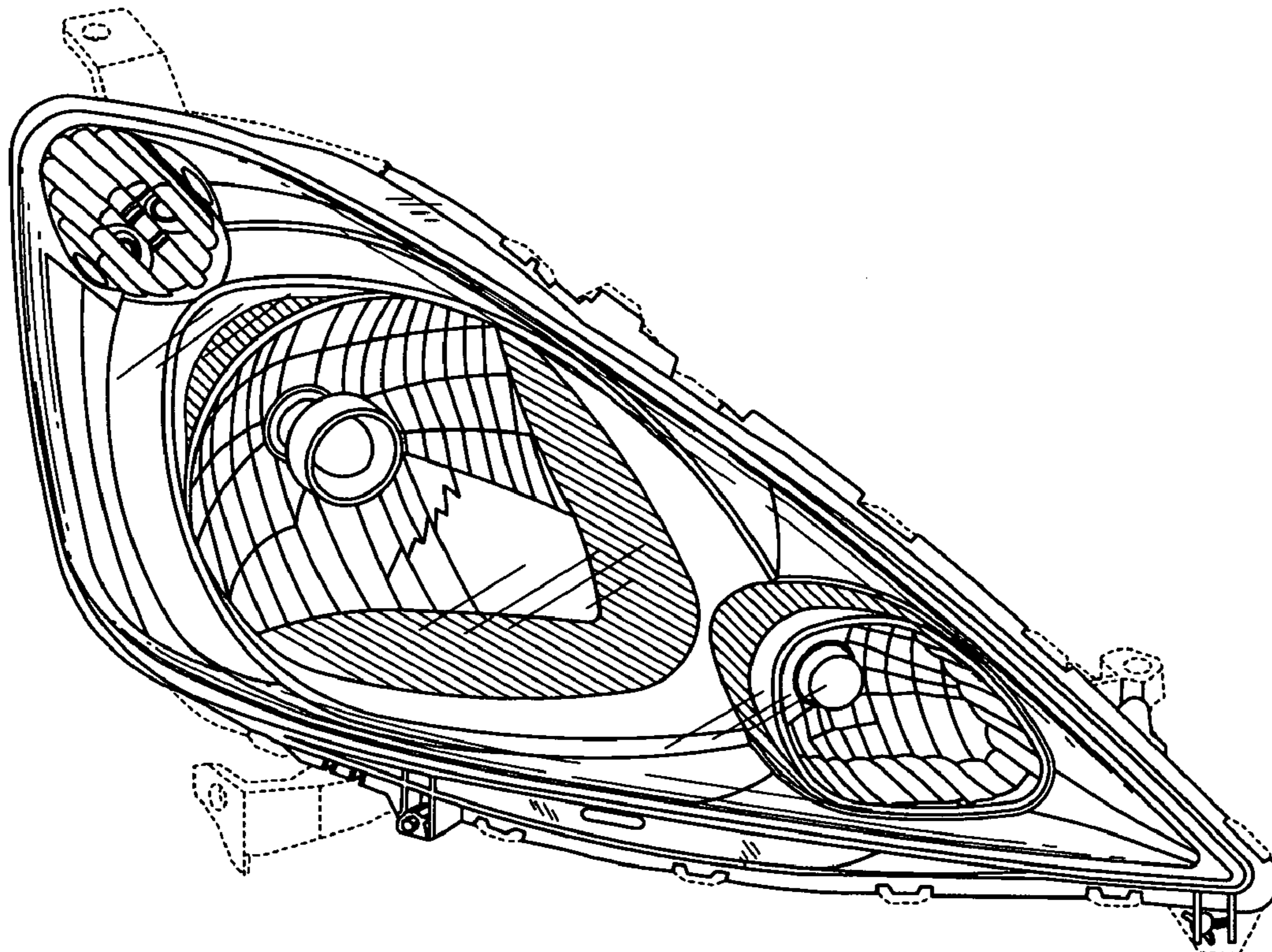


Fig. 1

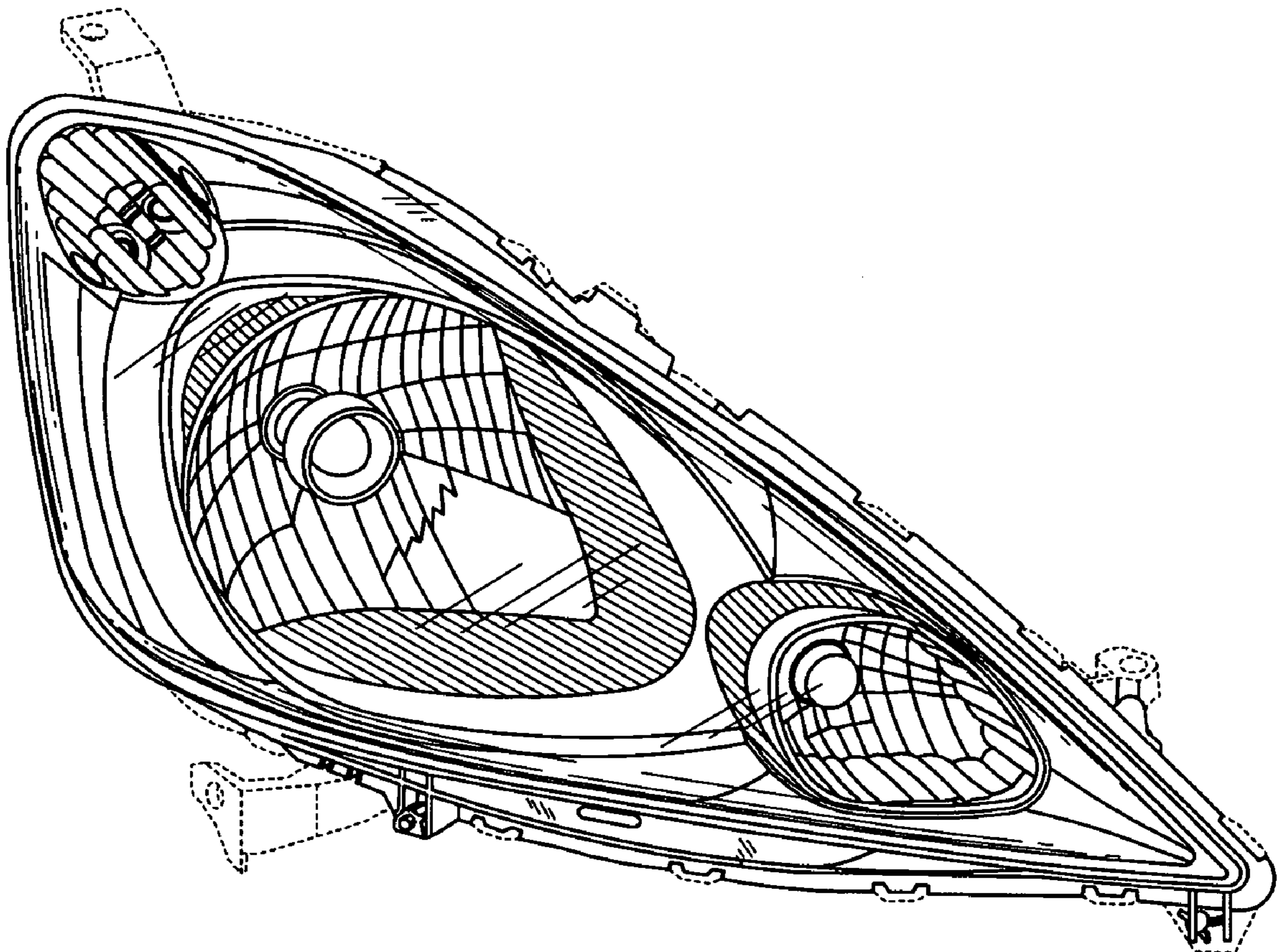


Fig. 2

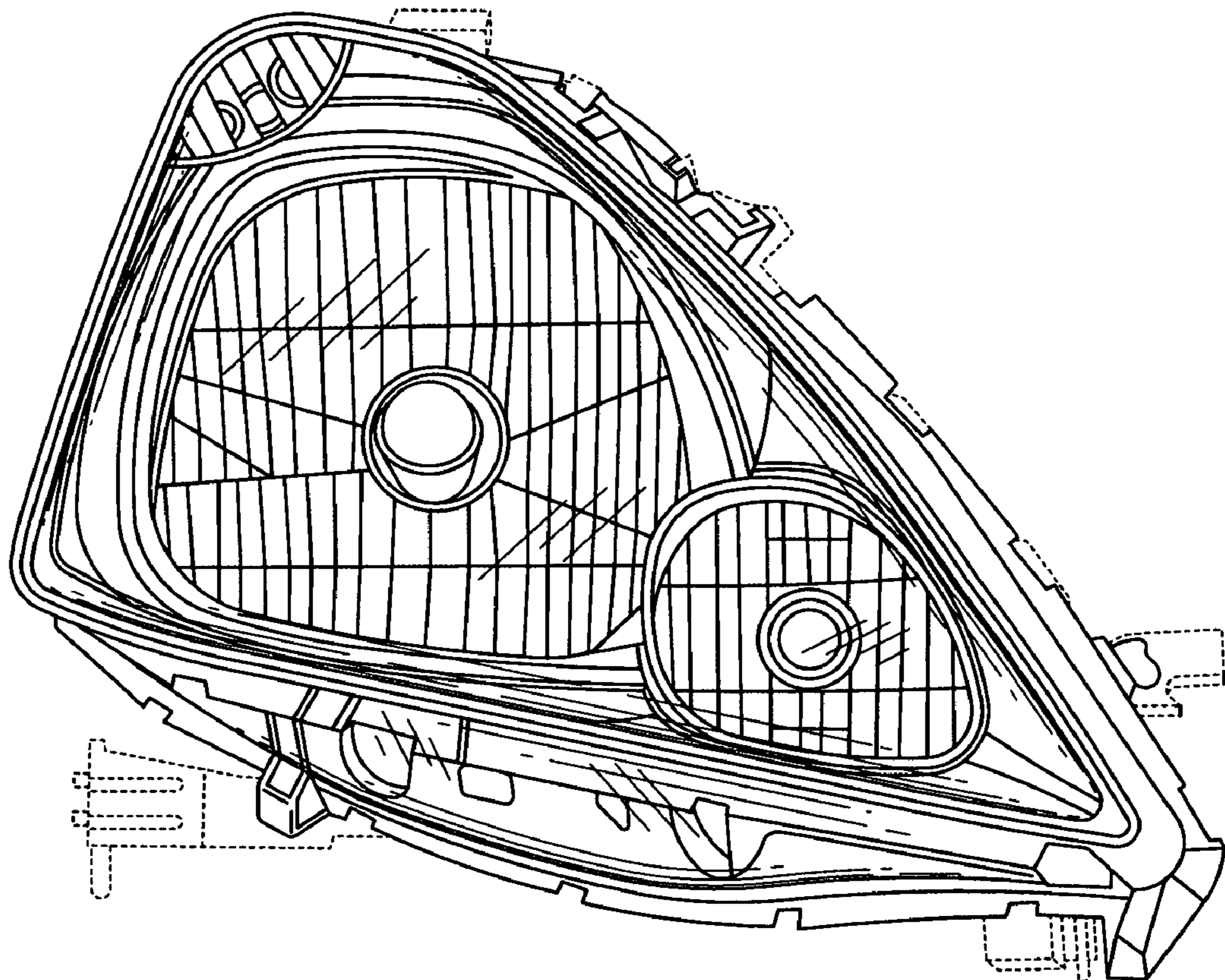


Fig. 3

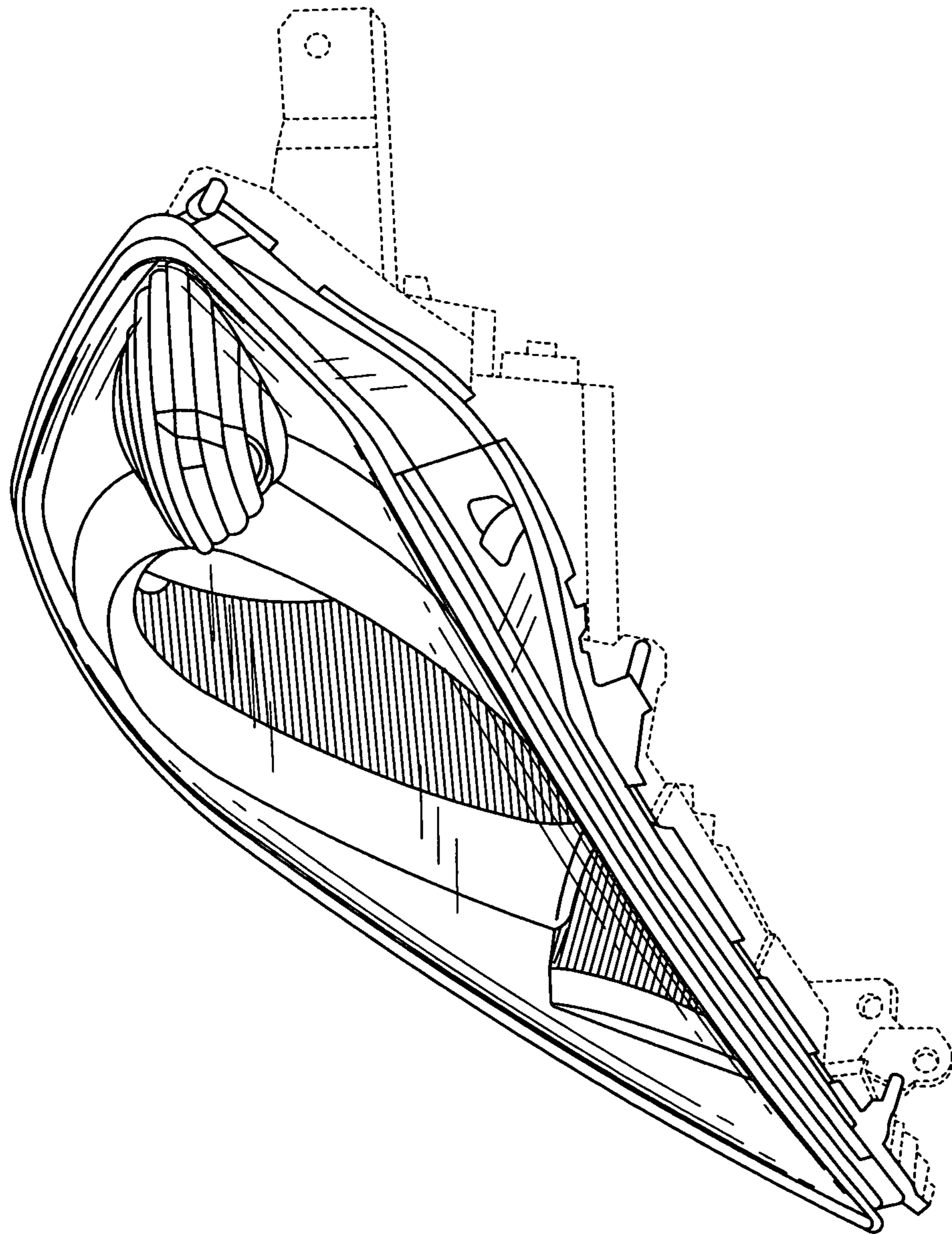
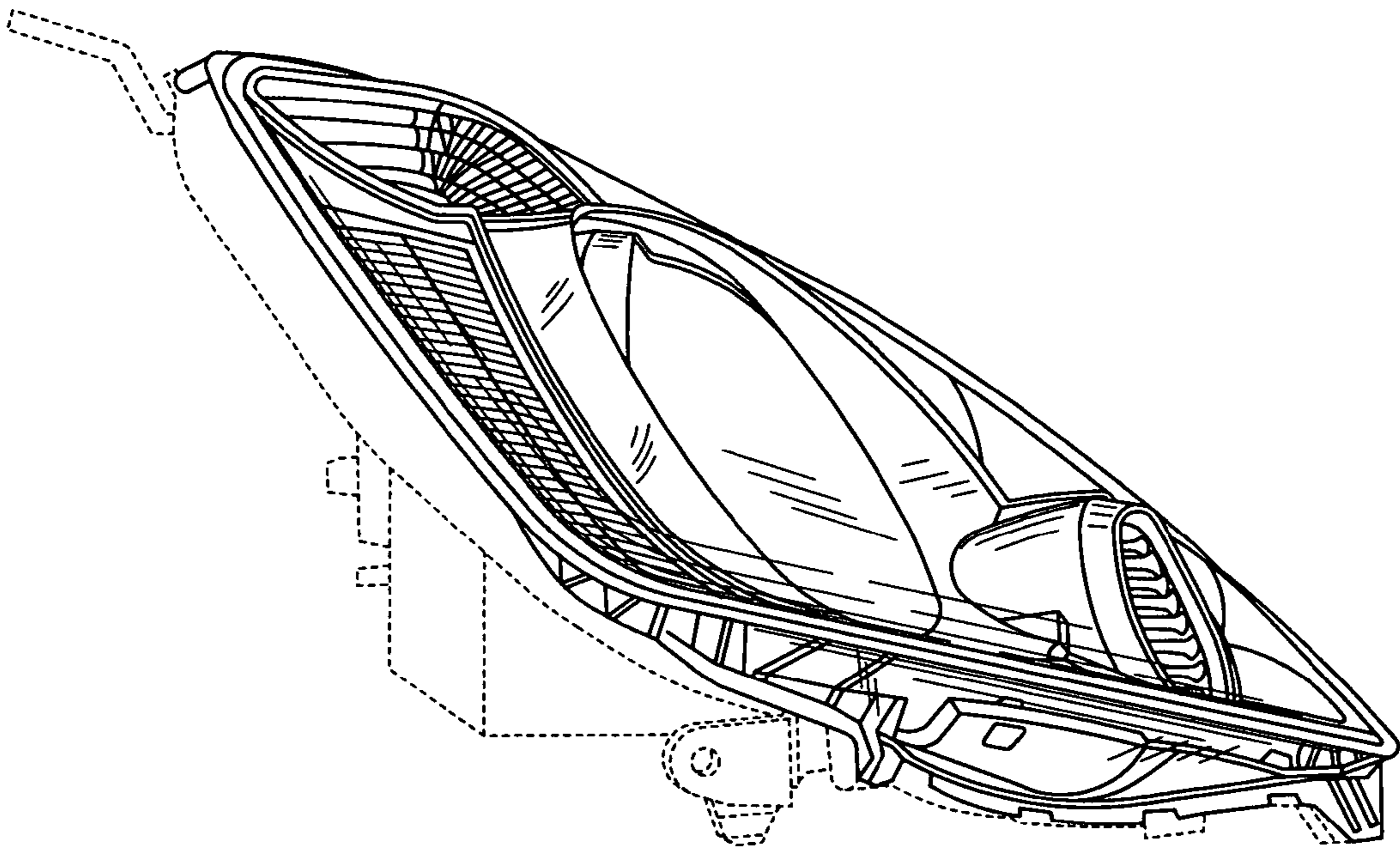


Fig. 4



UNITED STATES PATENT AND TRADEMARK OFFICE
CERTIFICATE OF CORRECTION

PATENT NO. : Des. 597,229 S
APPLICATION NO. : 29/300086
DATED : July 28, 2009
INVENTOR(S) : Gen Tamura

Page 1 of 1

It is certified that error appears in the above-identified patent and that said Letters Patent is hereby corrected as shown below:

On the Title page:

In item 54 change "REAR COMBINATION LAMP FOR AN AUTOMOBILE" to be
--FRONT COMBINATION LAMP FOR AN AUTOMOBILE--

Signed and Sealed this

Twenty-fourth Day of November, 2009



David J. Kappos
Director of the United States Patent and Trademark Office