



US00D597227S

(12) **United States Design Patent**
Kim et al.

(10) **Patent No.:** **US D597,227 S**
(45) **Date of Patent:** **** Jul. 28, 2009**

(54) **COMPACT FLUORESCENT LAMP**

D549,362 S * 8/2007 To et al. D26/3
D560,289 S * 1/2008 Itaya et al. D26/3
D577,133 S * 9/2008 Xu et al. D26/3

(75) Inventors: **Jong-Hwooi Kim**, Seoul (KR); **Sai Hee Kim**, Irvine, CA (US)

* cited by examiner

(73) Assignee: **Susung Industrial Co., Ltd.**, Seoul (KR)

Primary Examiner—Marcus A. Jackson
(74) *Attorney, Agent, or Firm*—Greenblum & Bernstein P.L.C.

(**) Term: **14 Years**

(21) Appl. No.: **29/321,252**

(57) **CLAIM**

(22) Filed: **Jul. 14, 2008**

We claim the ornamental design for a compact fluorescent lamp, as shown and described.

(51) **LOC (9) Cl.** **26-04**

(52) **U.S. Cl.** **D26/3**

(58) **Field of Classification Search** D26/1-4;
313/313, 315, 317, 318, 493; 315/52, 53,
315/56, 57, 58

See application file for complete search history.

DESCRIPTION

FIG. 1 is a front elevational view of an embodiment of a compact fluorescent lamp, showing my new design;

FIG. 2 is a rear elevational view of the embodiment of FIG. 1;

FIG. 3 is a left side elevational view of the embodiment of FIG. 1;

FIG. 4 is a right side elevational view of the embodiment of FIG. 1;

FIG. 5 is a top plan view of the embodiment of FIG. 1;

FIG. 6 is bottom plan view of the embodiment of FIG. 1; and,

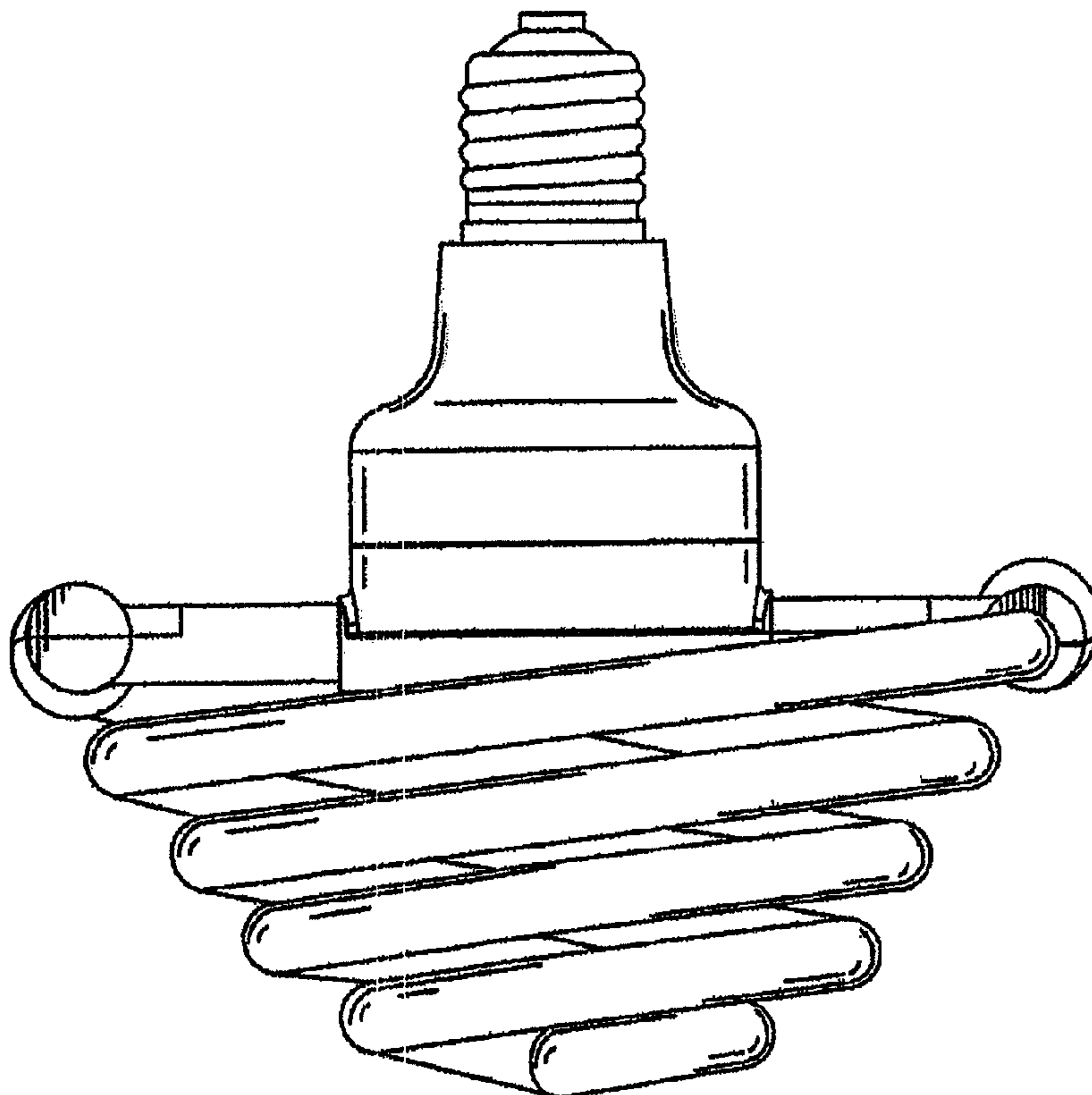
FIG. 7 is a front perspective view of the embodiment of FIG. 1.

(56) **References Cited**

U.S. PATENT DOCUMENTS

D493,546 S	7/2004	Kim	
D493,547 S	7/2004	Kim	
D493,898 S	8/2004	Kim	
D494,289 S	8/2004	Kim	
D522,669 S	6/2006	Kim	
D522,670 S	6/2006	Kim	
D524,955 S	7/2006	Kim	
D543,645 S *	5/2007	Hawass D26/3

1 Claim, 7 Drawing Sheets



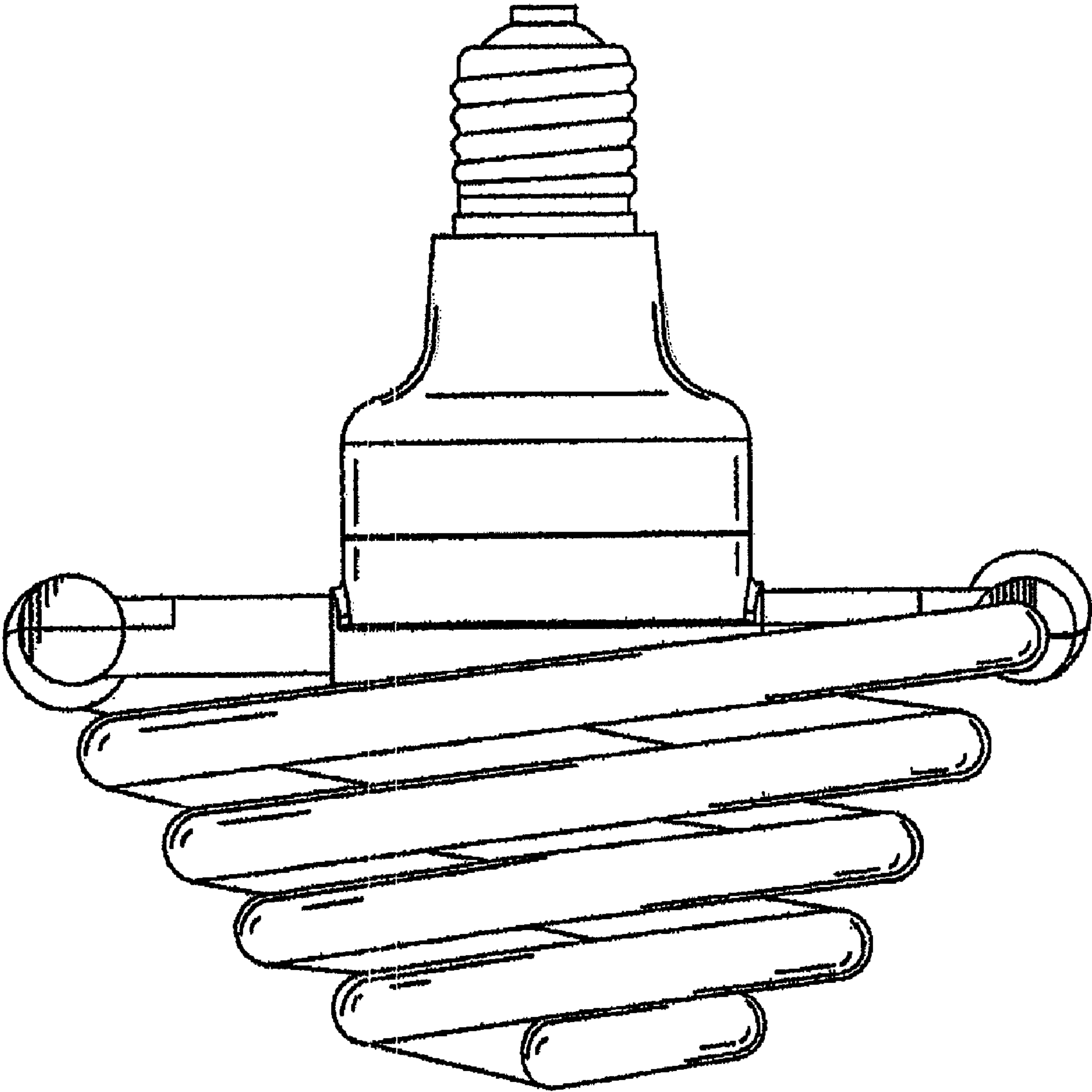


FIG. 1

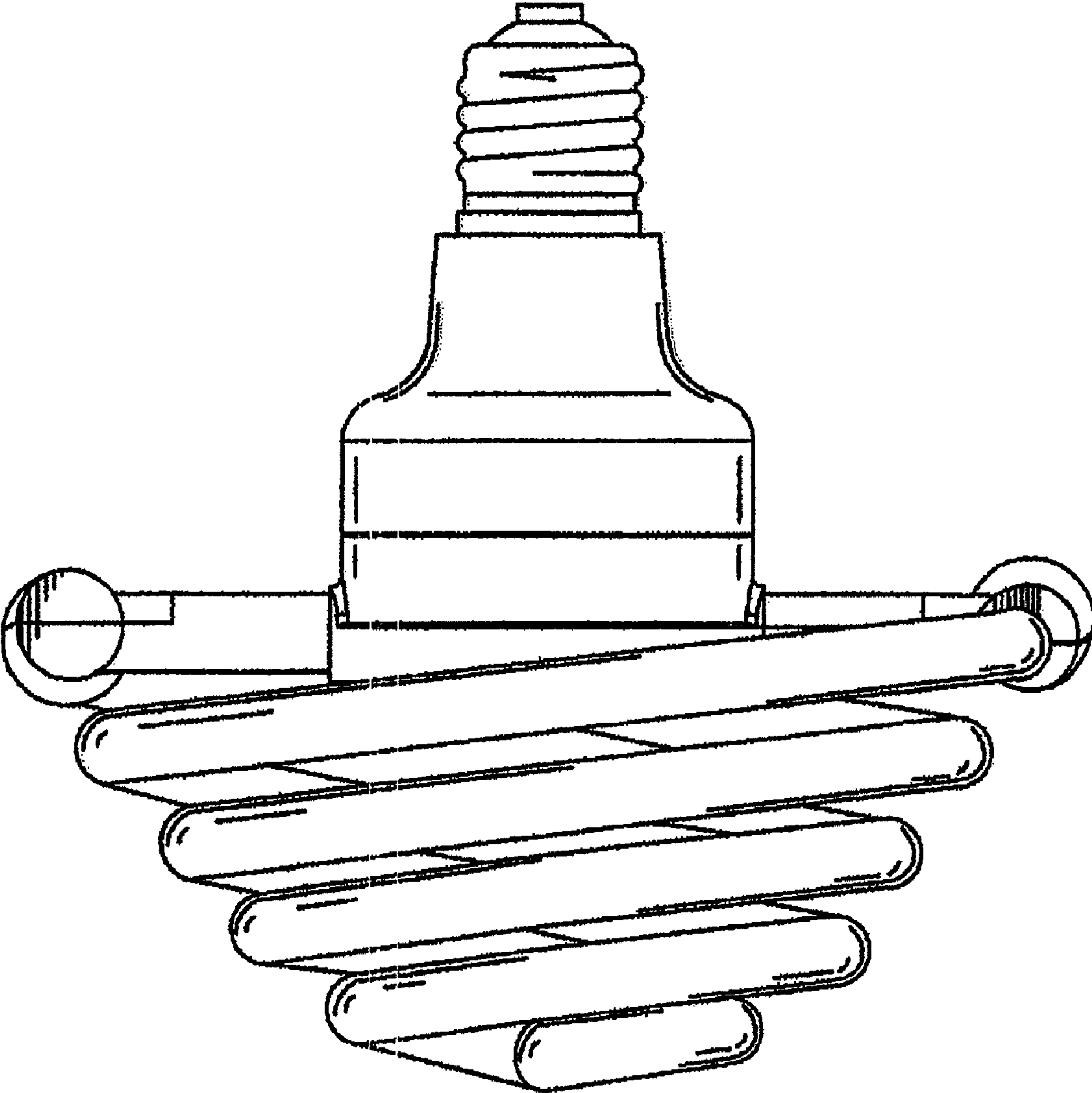


FIG. 2

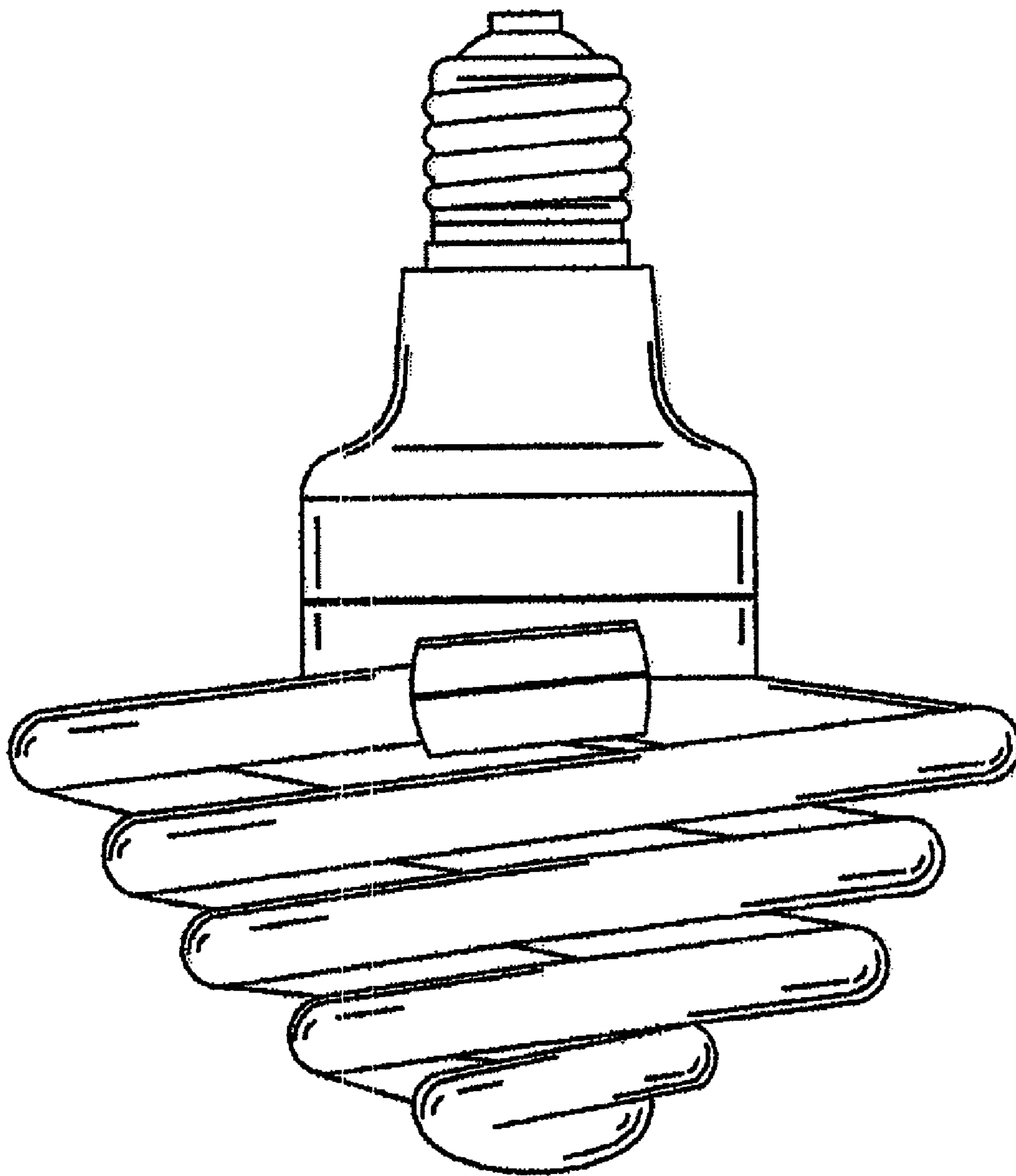


FIG. 3

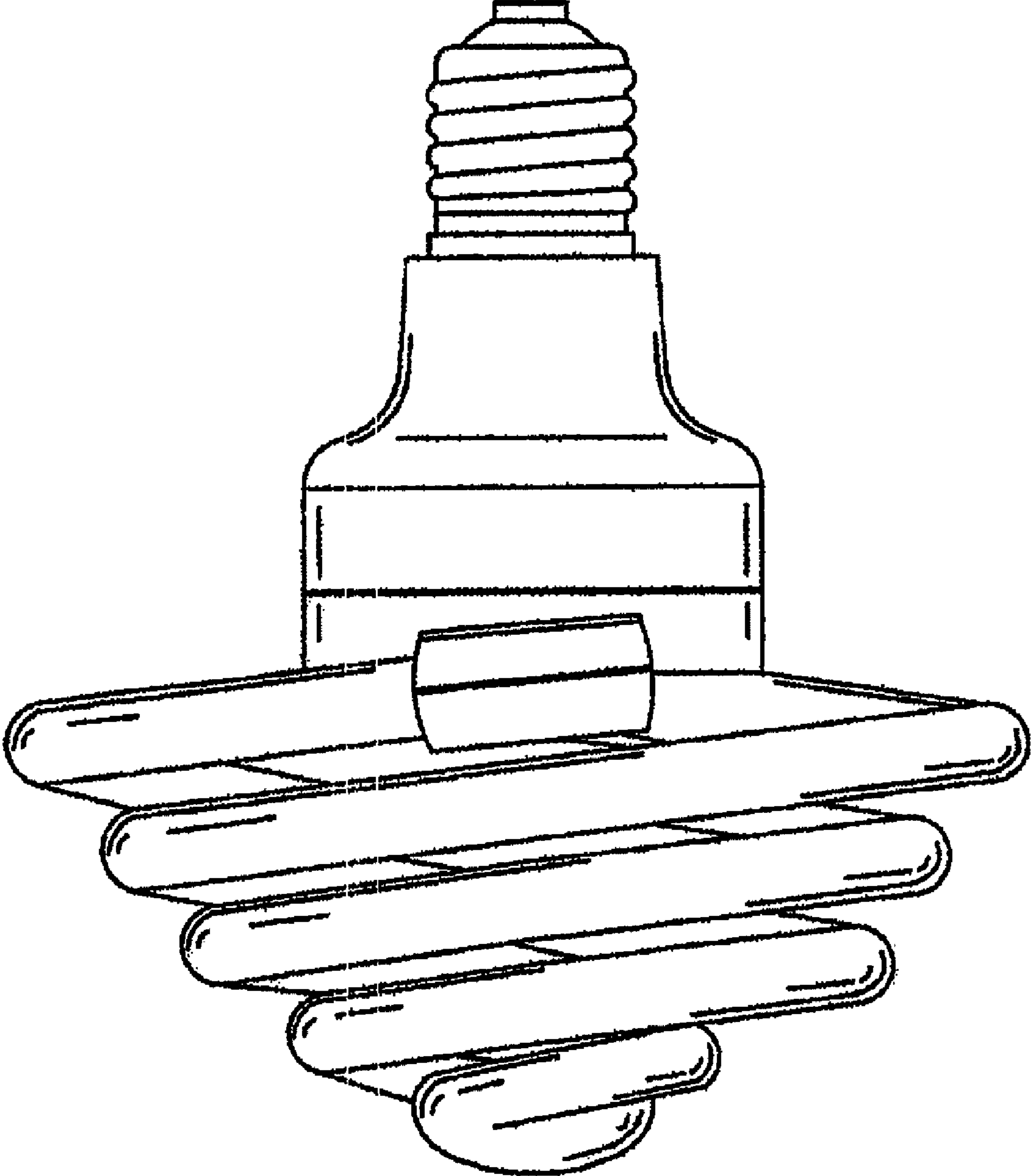


FIG. 4

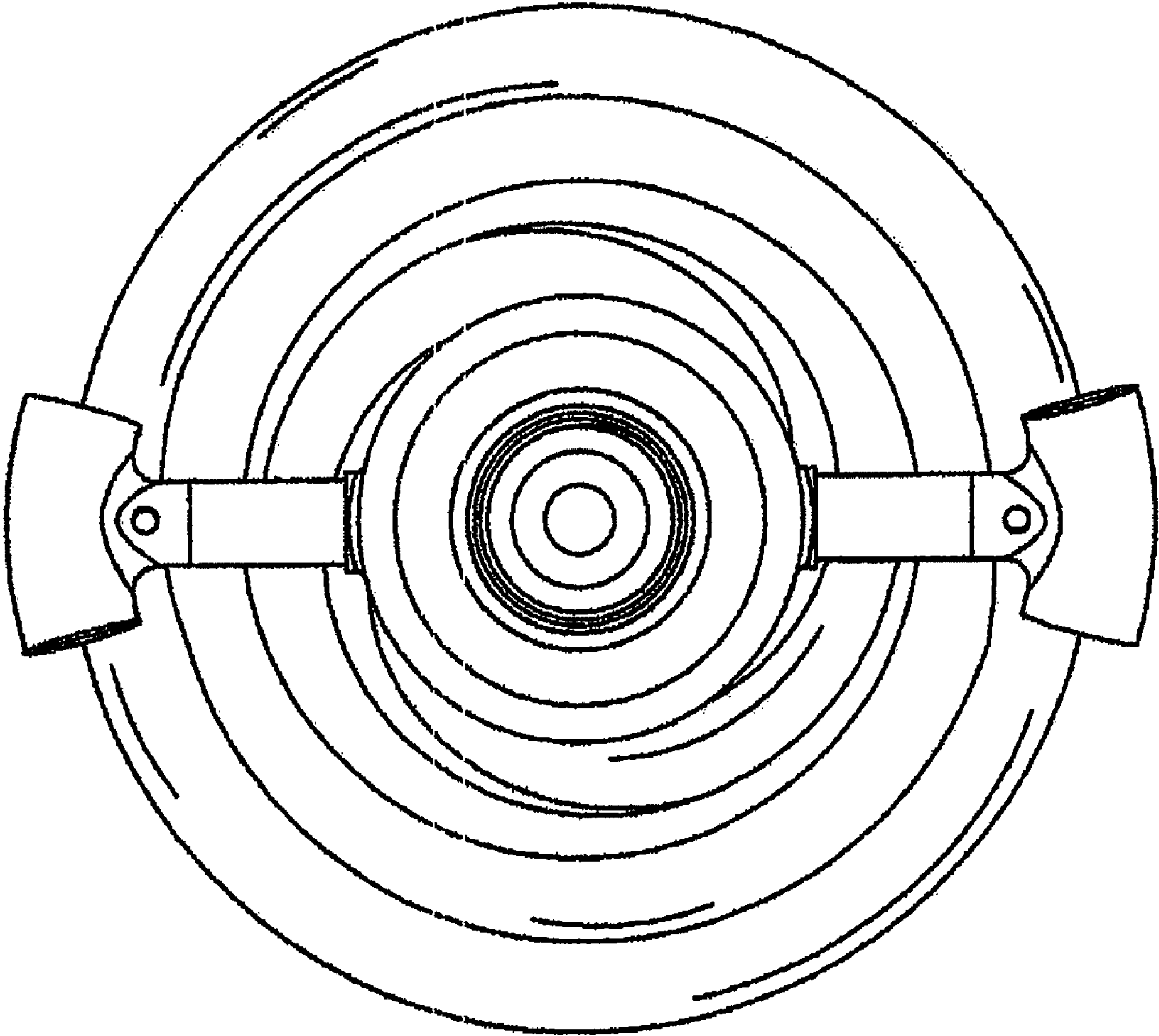


FIG. 5

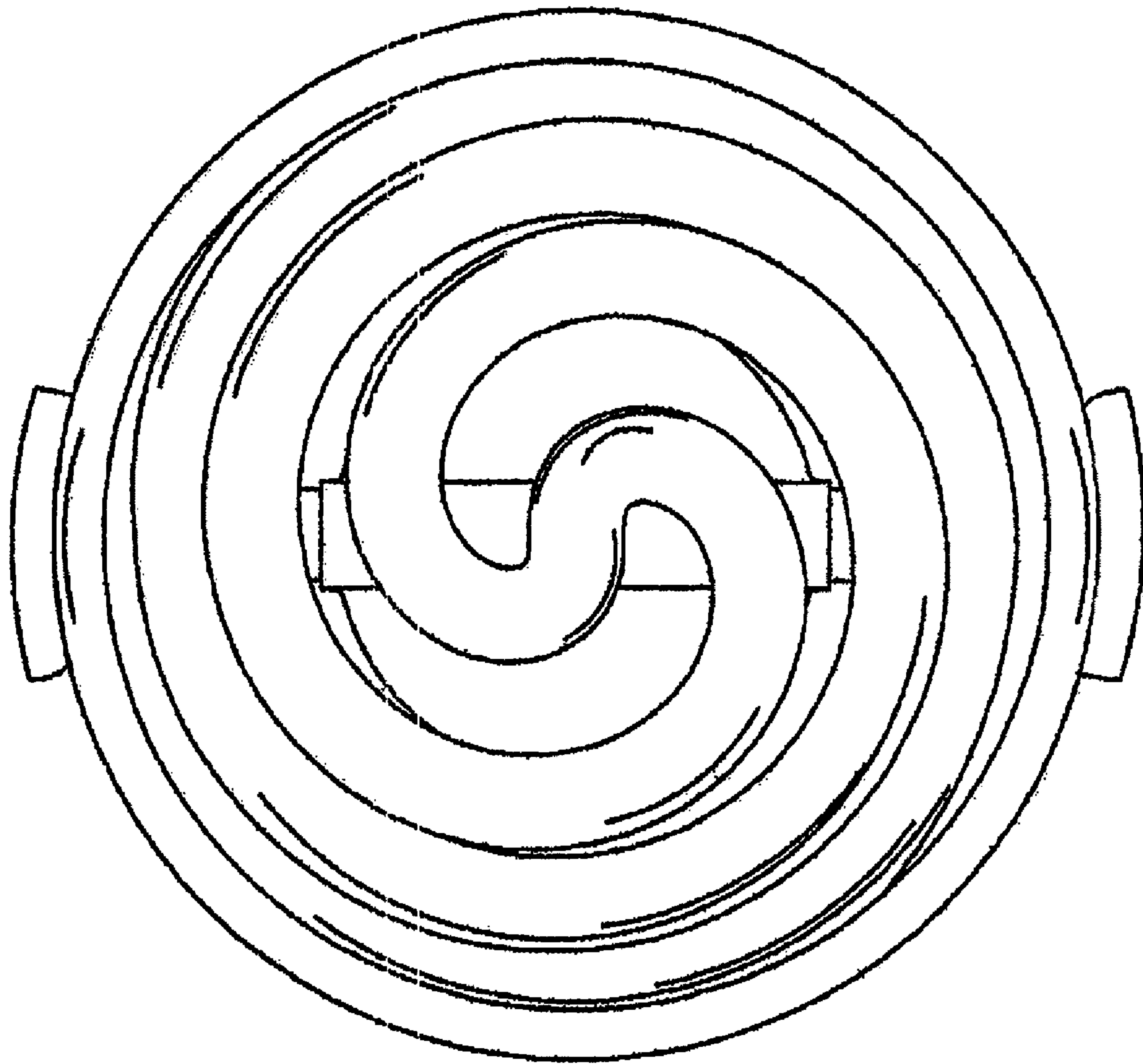


FIG. 6

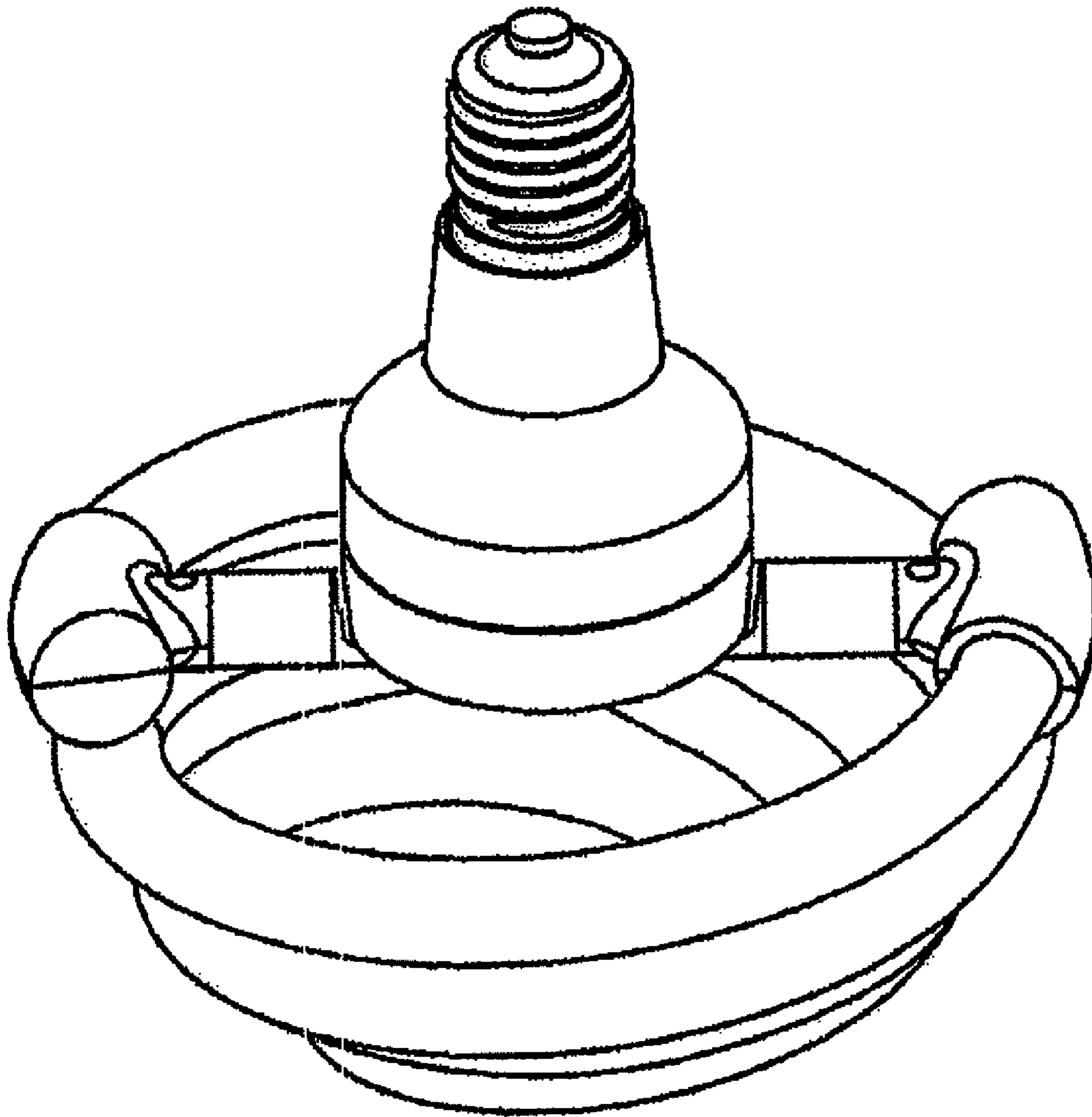


FIG. 7