

US00D597226S

(12) **United States Design Patent**
Richard et al.

(10) **Patent No.:** **US D597,226 S**
(45) **Date of Patent:** **** Jul. 28, 2009**

(54) **REFLECTOR LAMP**

D435,577 S * 12/2000 McBride D16/203

(75) Inventors: **Renaud Richard**, Manchester, NH (US);
Louie Veiga, Nashua, NH (US); **Harold Rothwell**, Hopkinton, NH (US)

* cited by examiner

(73) Assignee: **Osram Sylvania Inc.**, Danvers, MA (US)

Primary Examiner—Marcus A. Jackson

(74) *Attorney, Agent, or Firm*—Edward S. Podszus

(**) Term: **14 Years**

(57) **CLAIM**

(21) Appl. No.: **29/332,562**

The ornamental design for a reflector lamp, as shown and described.

(22) Filed: **Feb. 19, 2009**

(51) **LOC (9) Cl.** **26-04**

(52) **U.S. Cl.** **D26/2**

(58) **Field of Classification Search** D26/1-4;
313/313, 315, 317, 318, 493; 315/52, 53,
315/56, 57, 58

See application file for complete search history.

DESCRIPTION

FIG. 1 is a side view of a reflector lamp showing the new design, all sides being the same, the crossed out base forming no part of the claimed design;

FIG. 2 is a top view thereof the crossed out lens features forming no part of the claimed design; and,

FIG. 3 is bottom view thereof, the crossed out base forming no part of the claimed design.

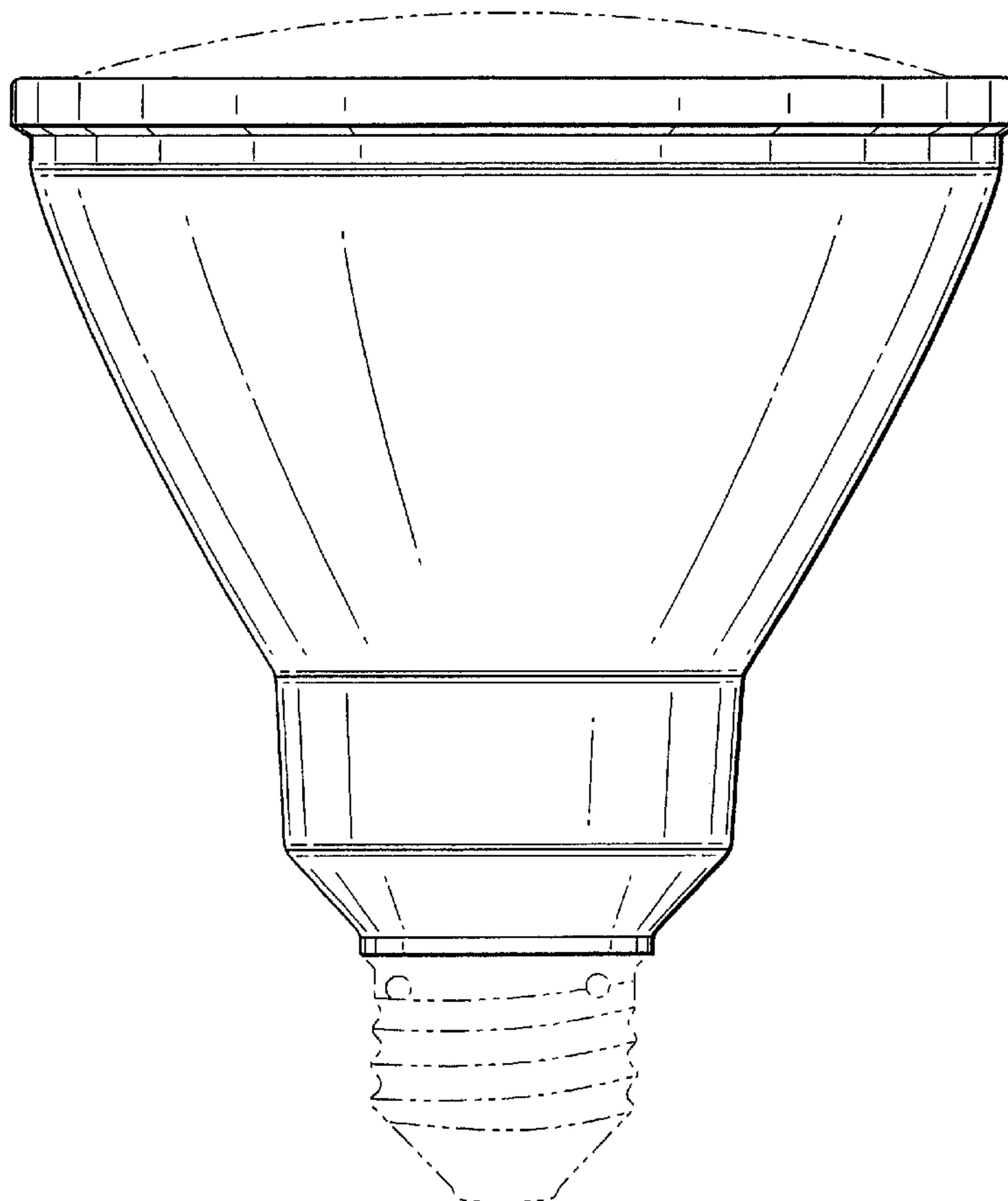
(56) **References Cited**

U.S. PATENT DOCUMENTS

D321,762 S * 11/1991 Mujahid et al. D26/2

D407,833 S * 4/1999 Foo D26/3

1 Claim, 3 Drawing Sheets



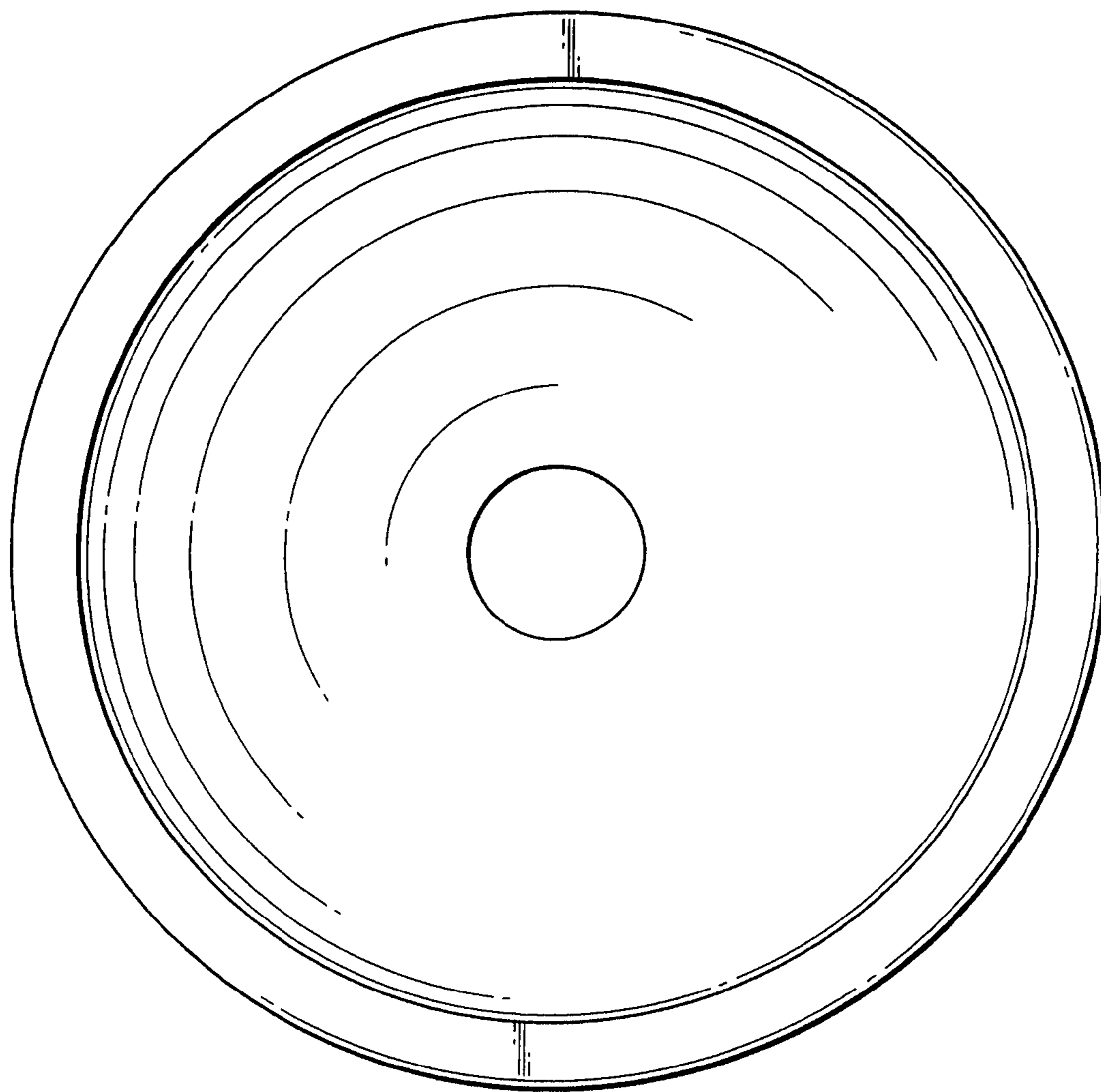


FIG. 1

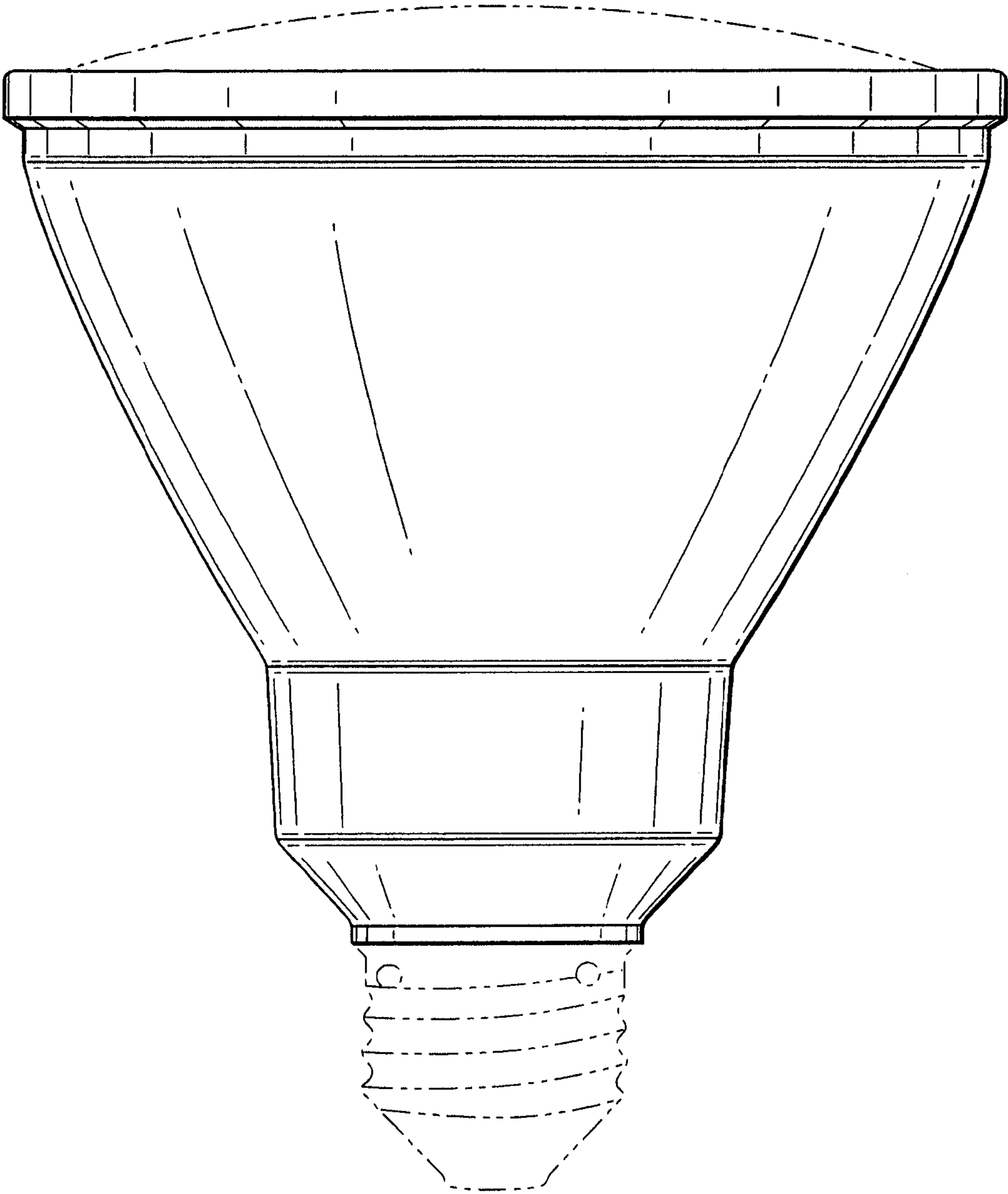


FIG. 2

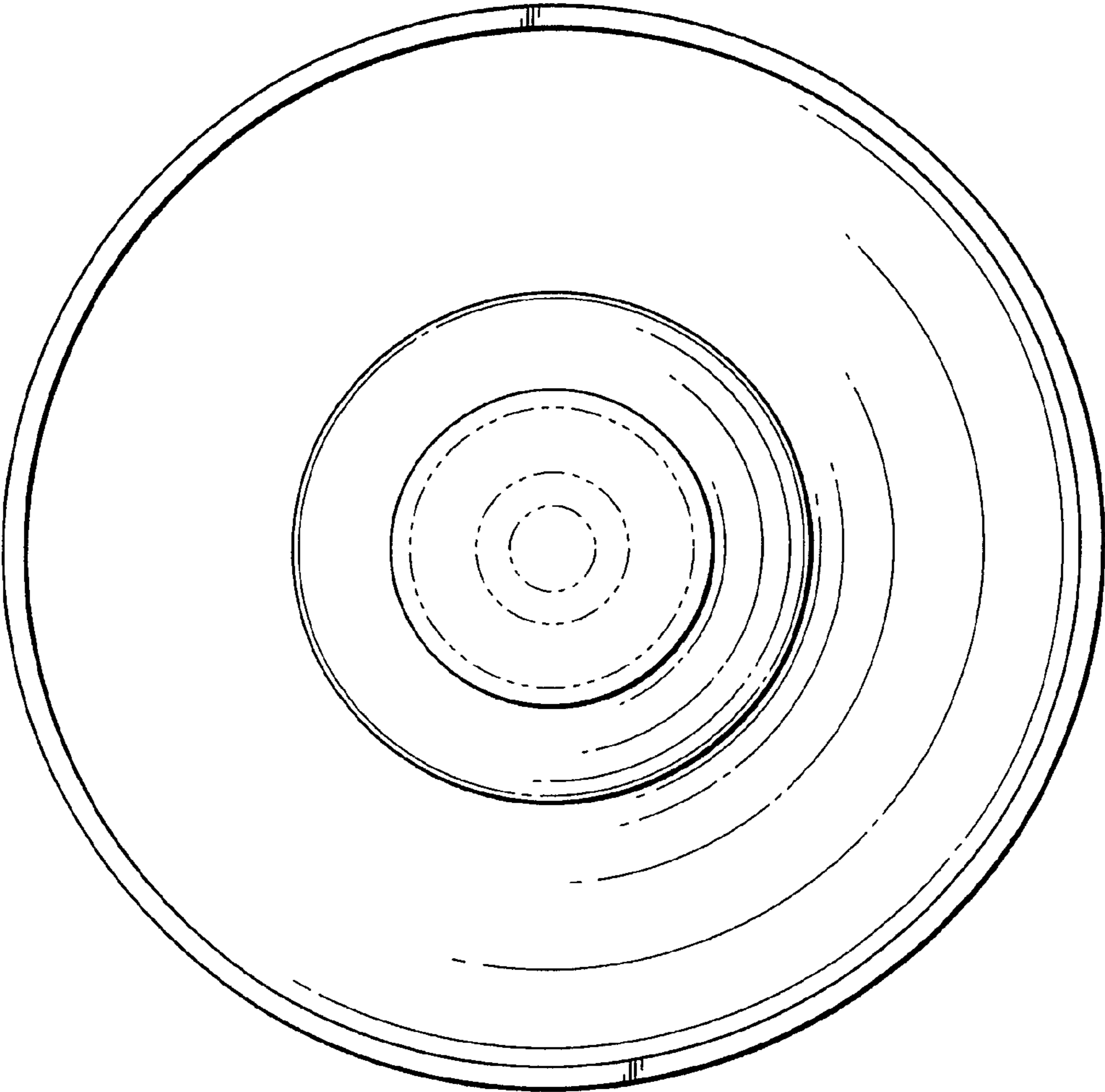


FIG. 3

UNITED STATES PATENT AND TRADEMARK OFFICE
CERTIFICATE OF CORRECTION

PATENT NO. : Des. 597,226 S
APPLICATION NO. : 29/332562
DATED : July 28, 2009
INVENTOR(S) : Renaud Richard, Louie Veiga and Harold Rothwell

Page 1 of 1

It is certified that error appears in the above-identified patent and that said Letters Patent is hereby corrected as shown below:

Fig. 1 on sheet 1 of 3 is relabeled -- Fig. 2 --; and

Fig. 2 on sheet 2 of 3 is relabeled -- Fig. 1 --.

Signed and Sealed this

Twenty-fourth Day of November, 2009



David J. Kappos
Director of the United States Patent and Trademark Office