

US00D597225S

(12) **United States Design Patent**
Yoo

(10) **Patent No.:** **US D597,225 S**
(45) **Date of Patent:** **** Jul. 28, 2009**

(54) **LED LAMP**

(75) Inventor: **Young Ho Yoo**, Bucheon-si (KR)

(73) Assignee: **Fawoo Technology Co., Ltd.**,
Gyeonggi-Do (KR)

(**) Term: **14 Years**

(21) Appl. No.: **29/324,572**

(22) Filed: **Sep. 15, 2008**

(30) **Foreign Application Priority Data**

Mar. 13, 2008 (KR) 30-2008-0010924

(51) **LOC (9) Cl.** **26-06**

(52) **U.S. Cl.** **D26/2**

(58) **Field of Classification Search** D26/1-4;
313/313, 315, 317, 318, 493; 315/52, 53,
315/56, 57, 58

See application file for complete search history.

(56) **References Cited**

U.S. PATENT DOCUMENTS

D530,836 S * 10/2006 Johnson D26/2

D545,457 S * 6/2007 Chen D26/2
D551,784 S * 9/2007 Krieglmeier et al. D26/2
D572,385 S * 7/2008 Mazzochette et al. D26/2

* cited by examiner

Primary Examiner—Marcus A. Jackson

(74) *Attorney, Agent, or Firm*—Lee, Hong, Degerman, Kang
& Waimey

(57) **CLAIM**

The ornamental design for an LED lamp, as shown and described.

DESCRIPTION

FIG. 1 is a perspective view of an LED lamp;

FIG. 2 is a front view thereof;

FIG. 3 is a rear view thereof;

FIG. 4 is a left side view thereof;

FIG. 5 is a right side view thereof;

FIG. 6 is a plan view thereof;

FIG. 7 is a bottom view thereof; and,

FIG. 8 is an exemplary view thereof.

1 Claim, 8 Drawing Sheets

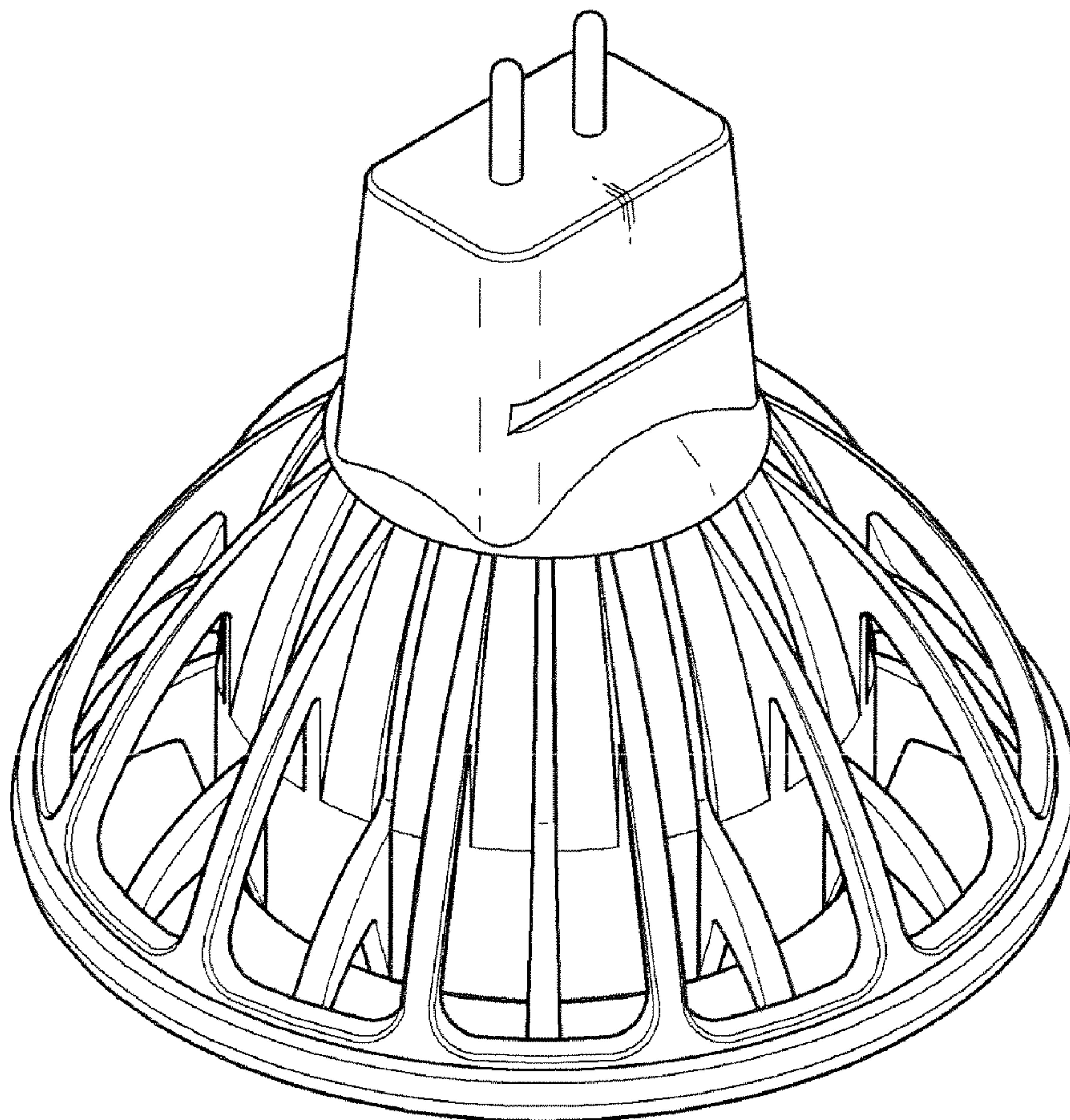


FIG. 1

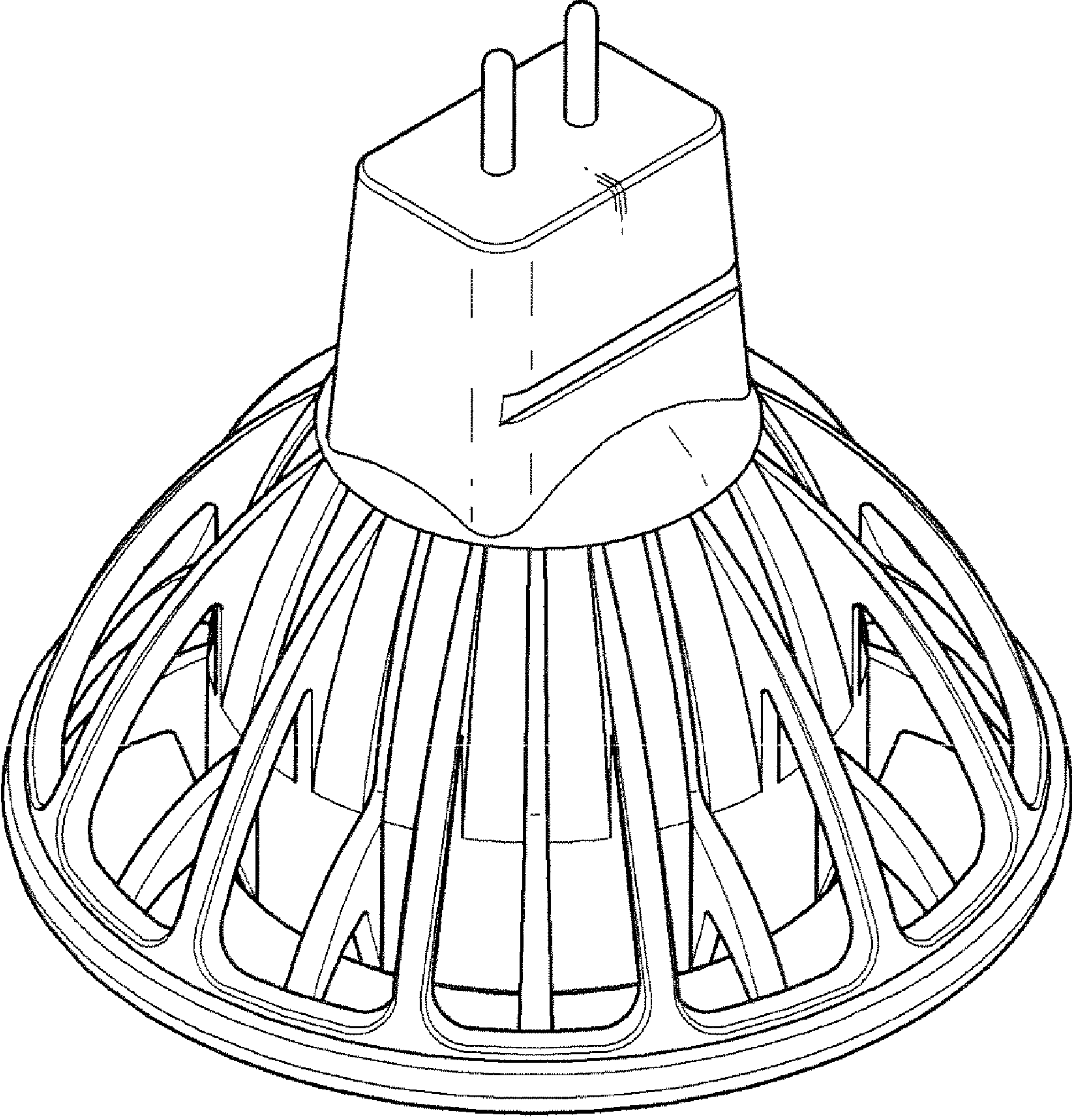


FIG. 2

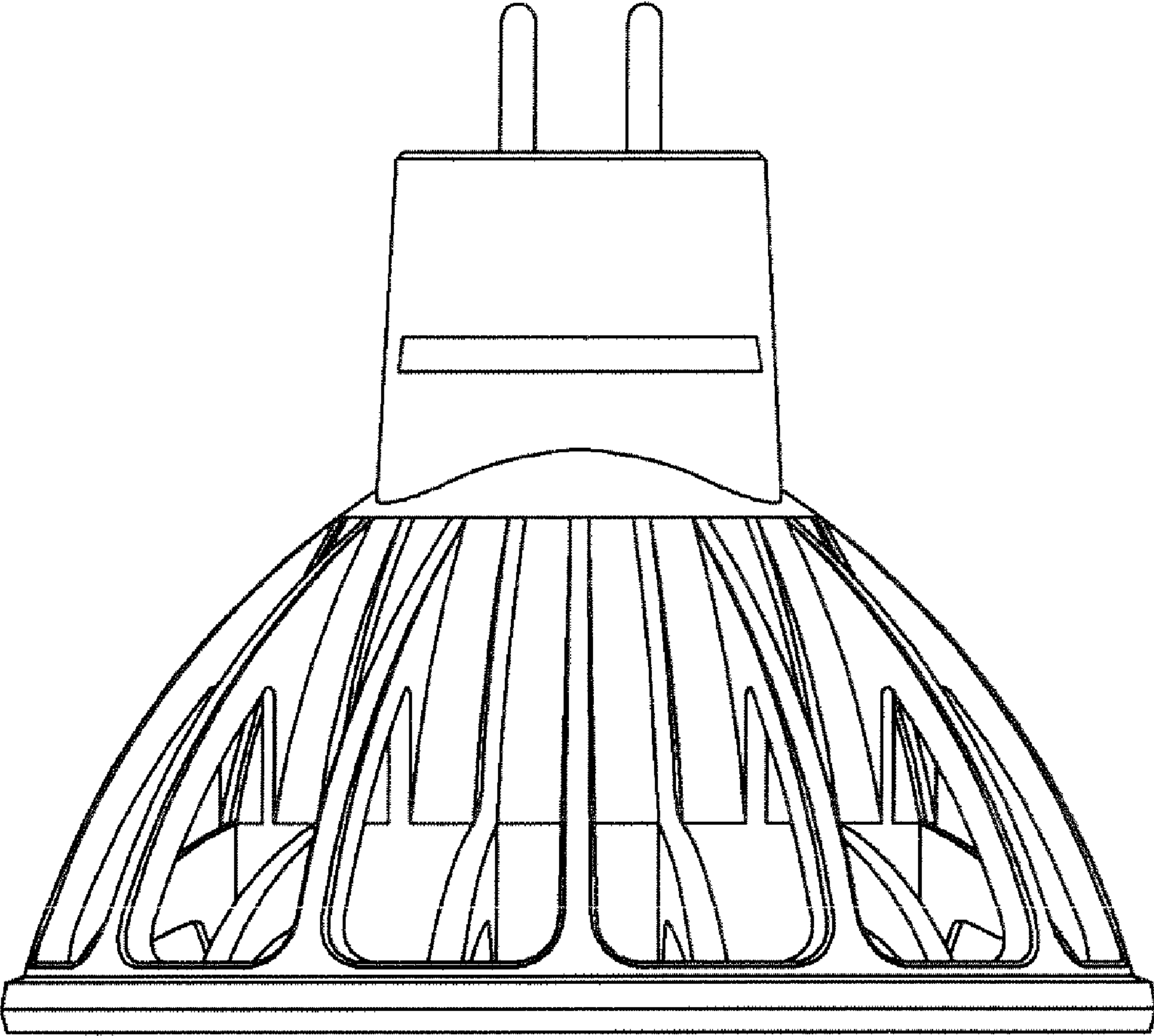


FIG. 3

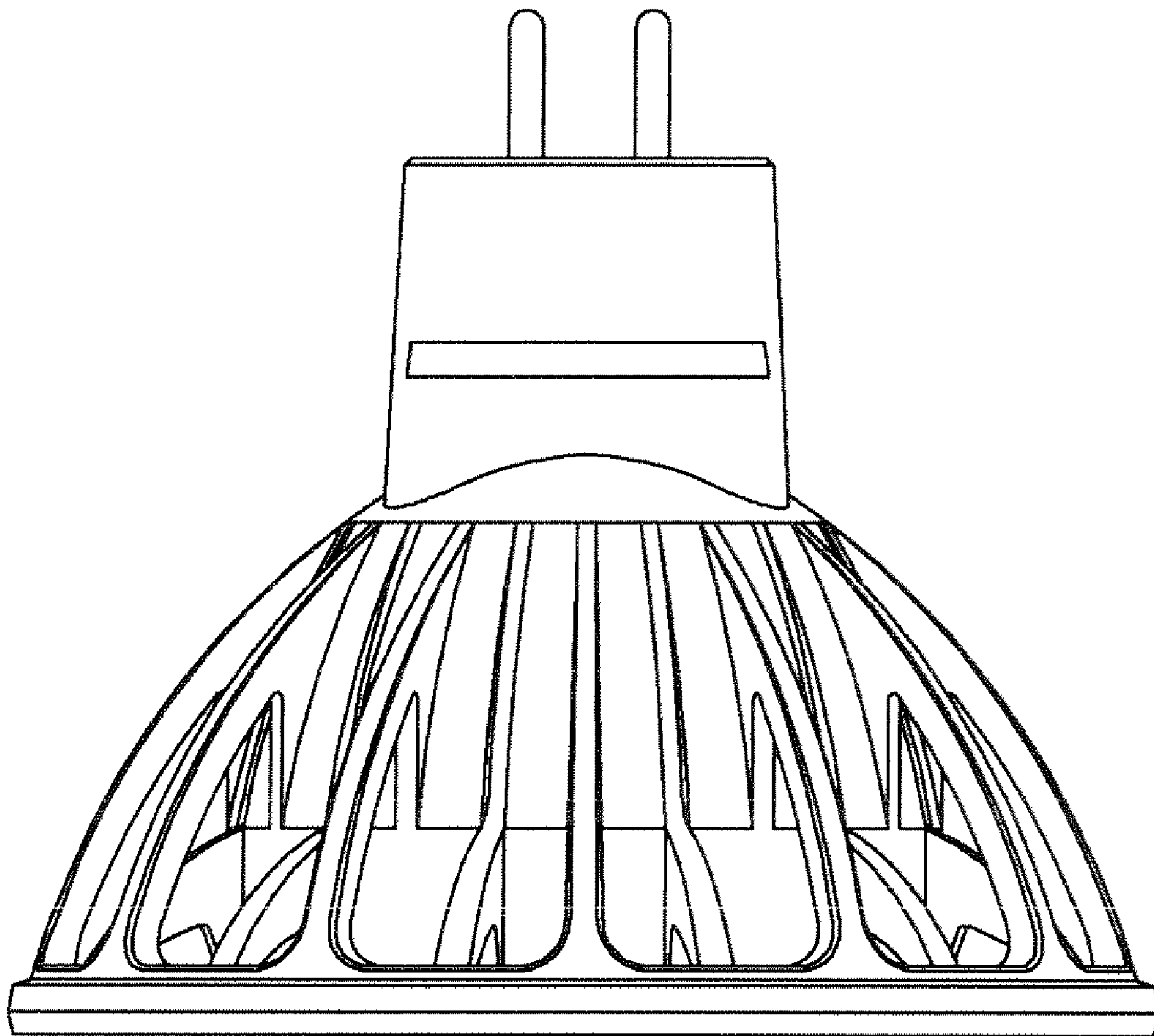


FIG. 4

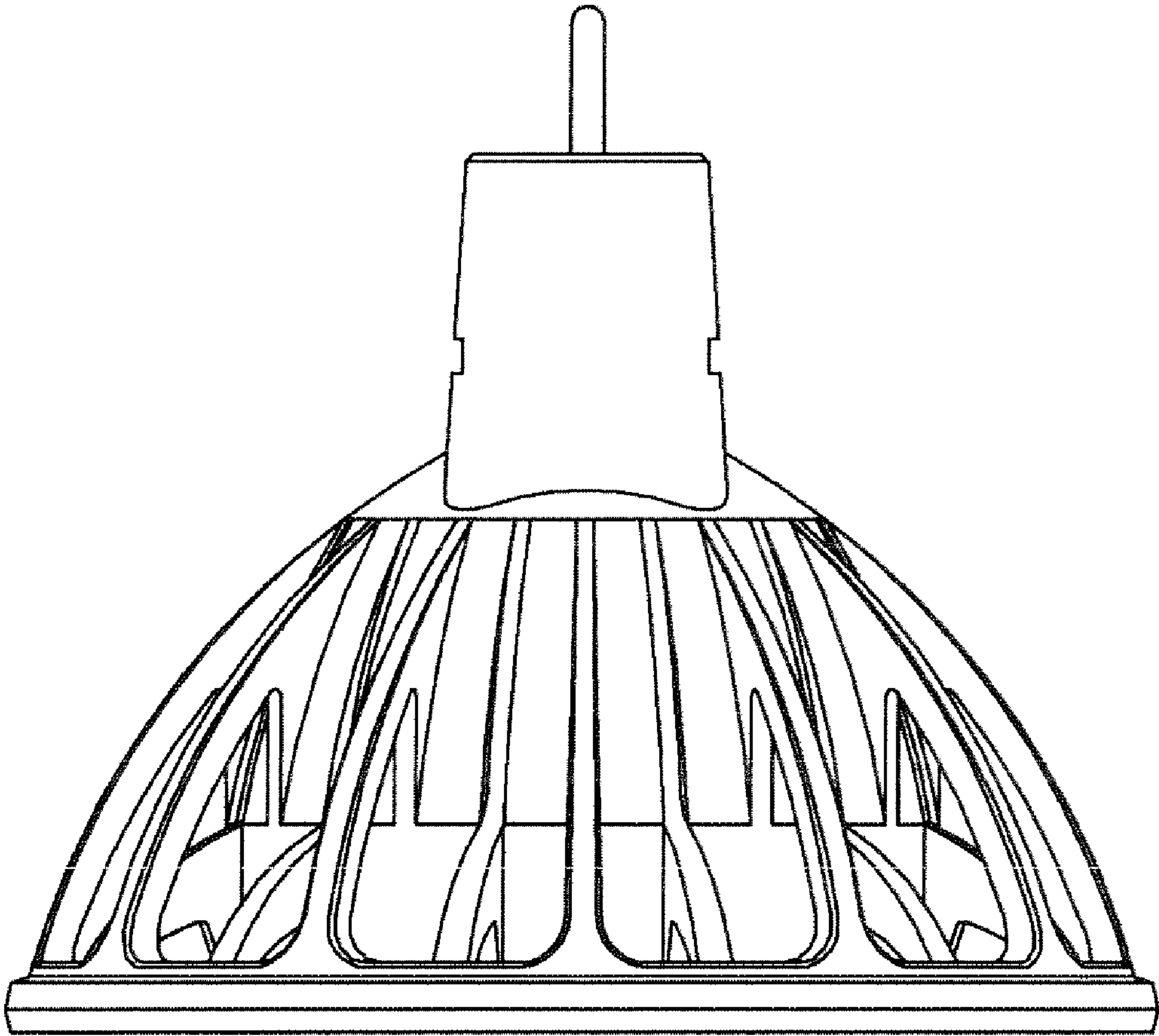


FIG. 5

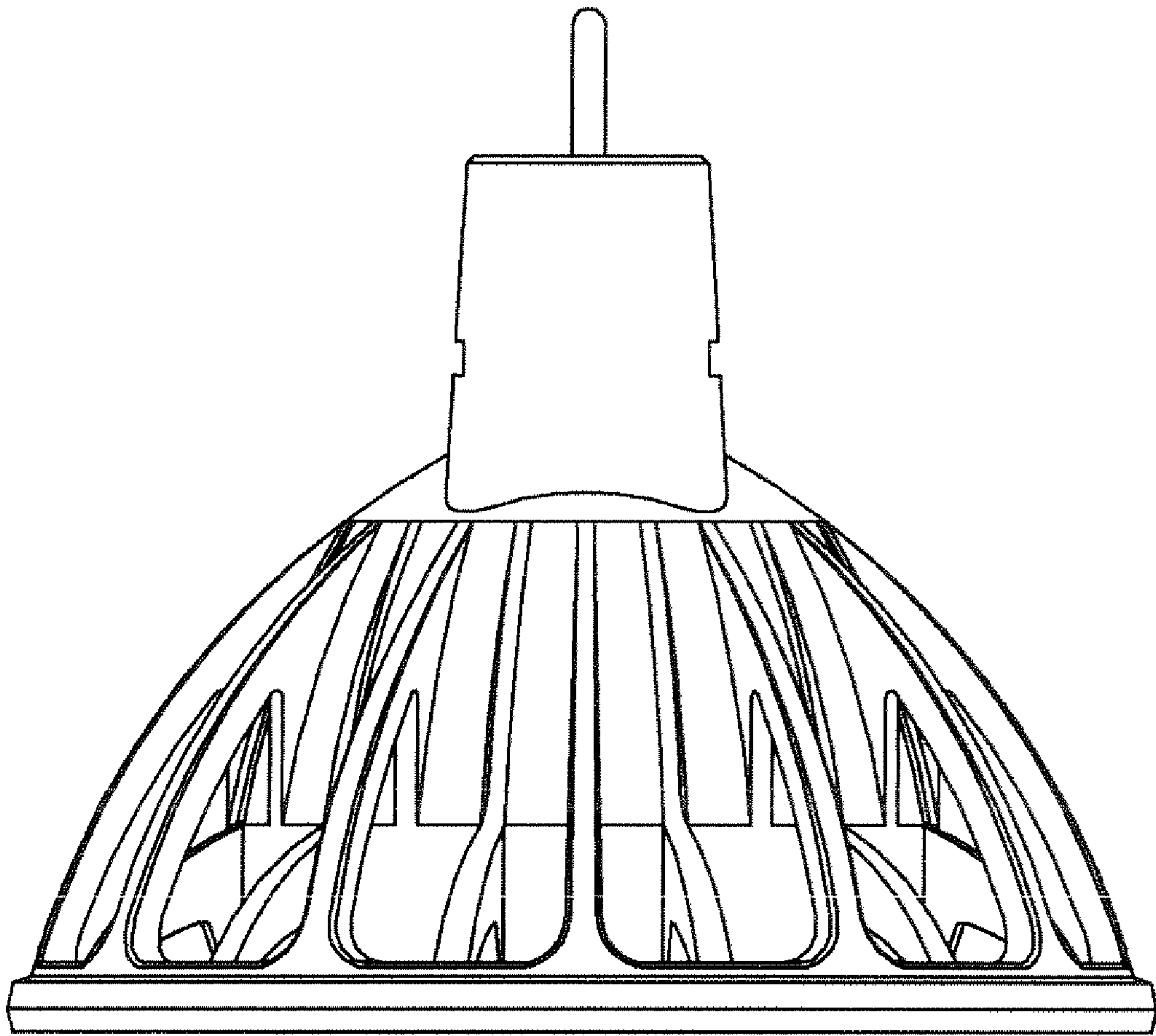


FIG. 6

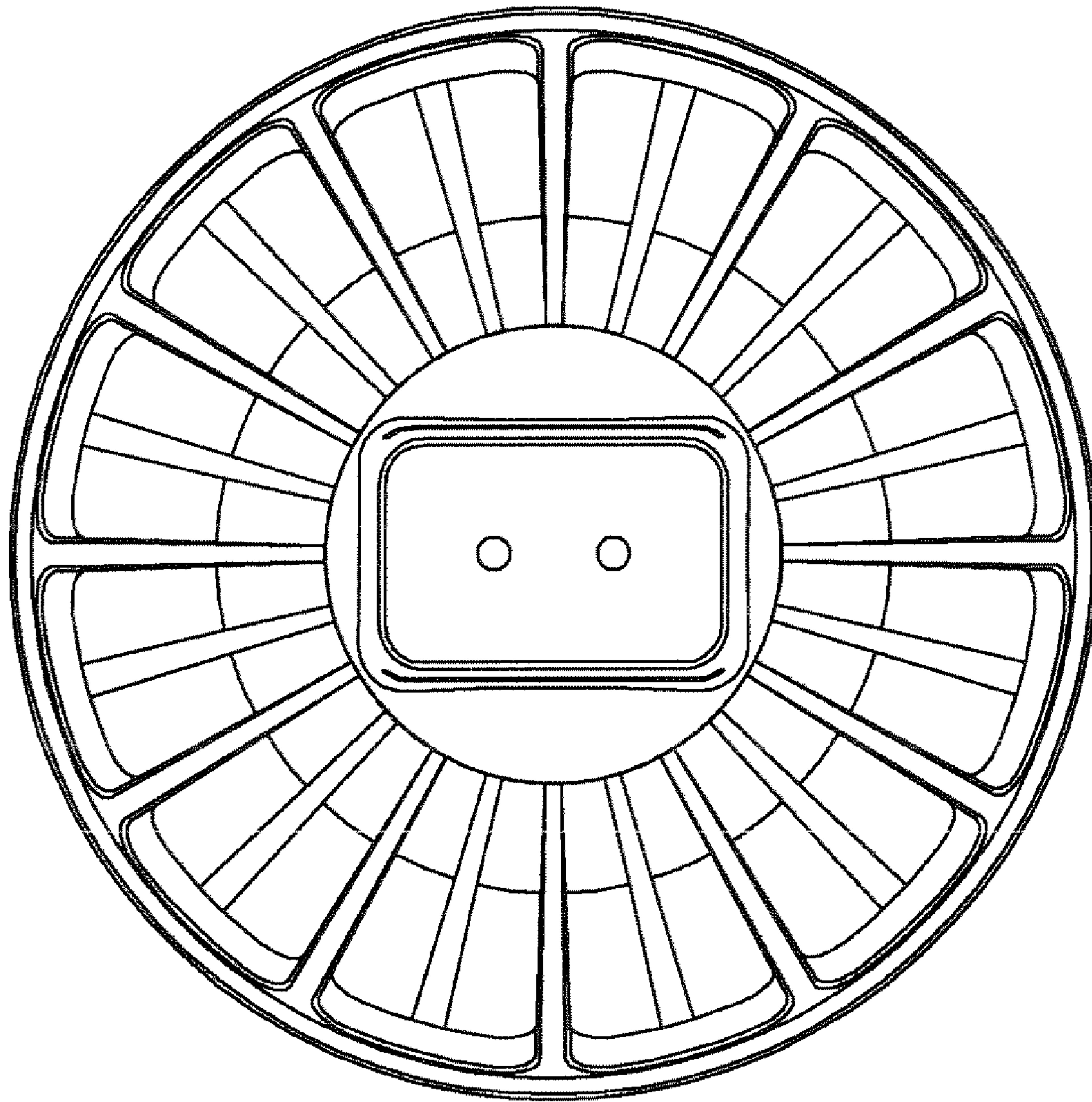


FIG. 7

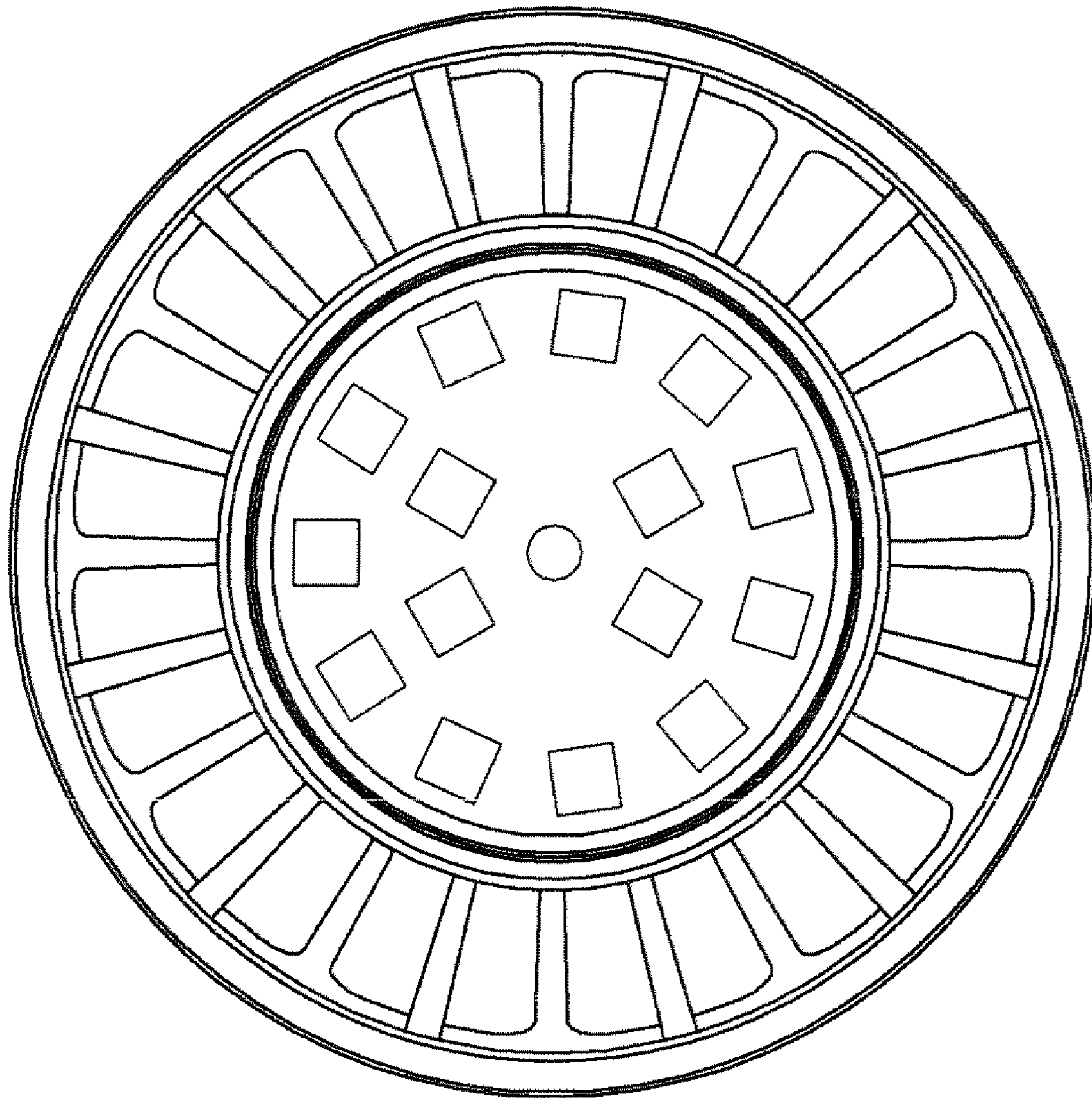


FIG. 8

