



US00D597220S

(12) **United States Design Patent**
Campbell et al.

(10) **Patent No.:** **US D597,220 S**

(45) **Date of Patent:** **** *Jul. 28, 2009**

(54) **WINDOW FRAME PROFILE**

(75) Inventors: **David Campbell**, Innisfil (CA); **Nina Sterlin**, Thornhill (CA)

(73) Assignee: **Royal Group, Inc.**, Atlanta, GA (US)

(*) Notice: This patent is subject to a terminal disclaimer.

(**) Term: **14 Years**

(21) Appl. No.: **29/291,000**

(22) Filed: **Feb. 7, 2008**

(51) **LOC (9) Cl.** **25-01**

(52) **U.S. Cl.** **D25/124**

(58) **Field of Classification Search** D25/124;
52/204.1, 204.5, 204.51, 656.5, 656.6, 656.2,
52/730.3; 49/501, 504, DIG. 2
See application file for complete search history.

(56) **References Cited**

U.S. PATENT DOCUMENTS

- D311,961 S * 11/1990 Westphal et al. D25/124
- 5,099,624 A 3/1992 Valentin
- 5,694,731 A * 12/1997 Tonsmann et al. 52/656.3

- D402,054 S 12/1998 Leonelli
- D405,196 S 2/1999 Arcati et al.
- D406,653 S 3/1999 Morton et al.
- D412,585 S 8/1999 Arcati et al.
- D413,395 S 8/1999 Arcati et al.
- D417,919 S 12/1999 Hersh et al.
- 6,006,478 A 12/1999 Hubner et al.

(Continued)

Primary Examiner—Doris Clark

(74) *Attorney, Agent, or Firm*—Hunton & Williams LLP

(57) **CLAIM**

We claim the ornamental design for a window frame profile, as shown and described.

DESCRIPTION

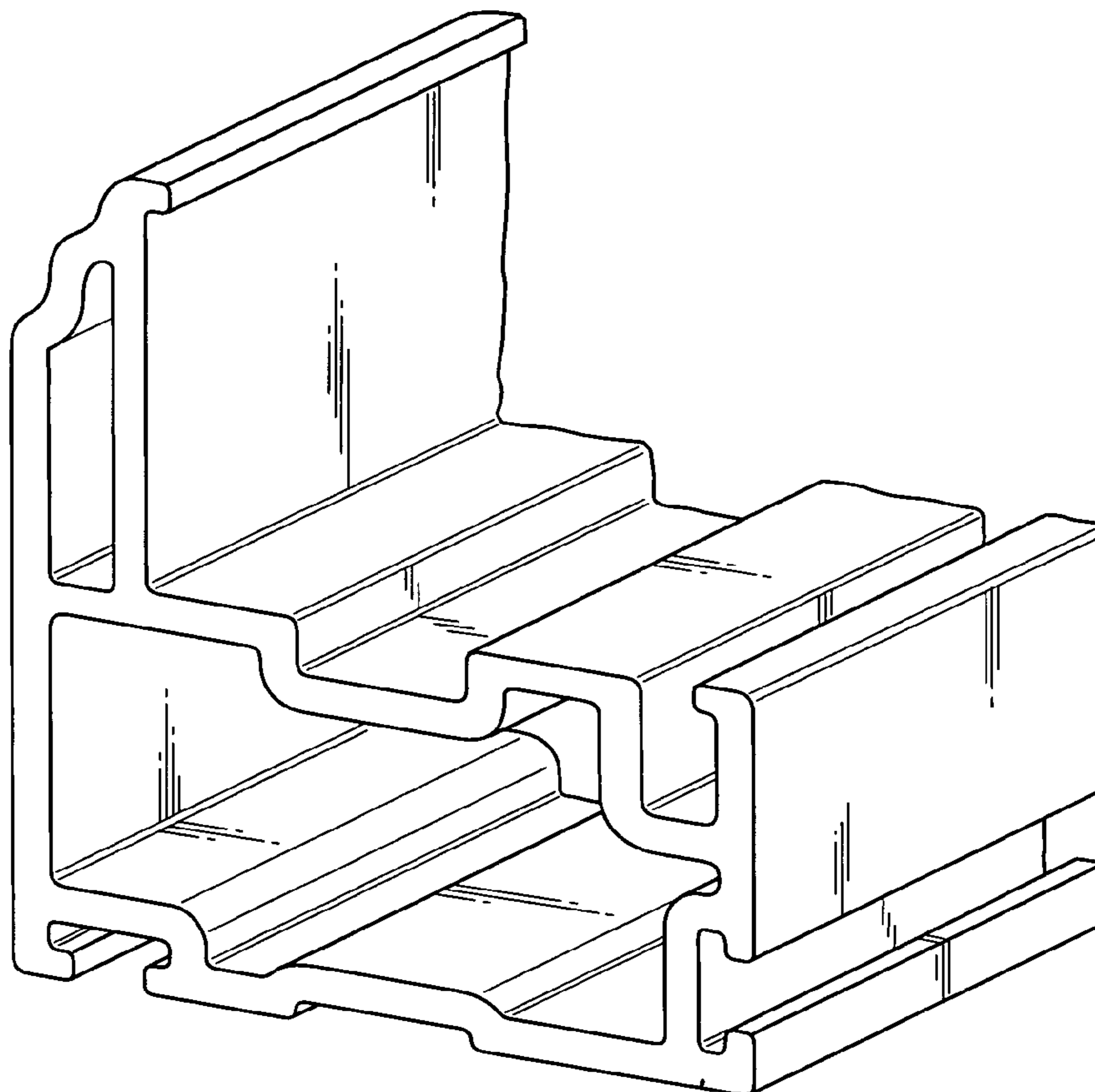
FIG. 1 is a fragmentary top right isometric view of a window frame profile showing the claimed design.

FIG. 2 is a fragmentary bottom left isometric view of the window frame profile of FIG. 1; and,

FIG. 3 is an end elevation view of the window frame profile of FIG. 1.

The claimed design is broken on the end to indicate indeterminate length.

1 Claim, 3 Drawing Sheets



US D597,220 S

Page 2

U.S. PATENT DOCUMENTS

D435,918 S	1/2001	Hauberg et al.	D467,355 S	12/2002	Ballard et al.
D436,190 S	1/2001	Ballard et al.	D471,647 S	3/2003	Chaney et al.
D436,412 S	1/2001	Hauberg et al.	D495,430 S	8/2004	Franson
D436,413 S	1/2001	Habeck et al.	D496,742 S	9/2004	Franson
D438,644 S	3/2001	Habeck et al.	D500,561 S	1/2005	Franson
D438,989 S	3/2001	Ballard et al.	6,857,232 B2	2/2005	Bealko
D439,679 S	3/2001	Ballard et al.	D502,555 S	3/2005	Fannan
D440,323 S	4/2001	Habeck et al.	D505,503 S	5/2005	Wickland
D440,324 S	4/2001	Habeck et al.	D537,540 S	2/2007	Franson
D440,664 S	4/2001	Habeck et al.	D539,932 S	4/2007	Fannan
D440,665 S	4/2001	Habeck et al.	D541,954 S	5/2007	Allen et al.
D440,669 S	4/2001	Habeck et al.	D542,422 S	5/2007	Franson
D441,099 S	4/2001	Habeck et al.	D546,975 S	7/2007	Allen et al.
D442,291 S	5/2001	Ballard et al.	D546,976 S	7/2007	Ye
D444,894 S	7/2001	Marshall	D546,977 S	7/2007	Ye
D449,389 S *	10/2001	Goss D25/124	D546,978 S	7/2007	Ye
D452,575 S	12/2001	Edger	D546,979 S	7/2007	Ye
D453,381 S	2/2002	Ballard et al.	D550,862 S	9/2007	Brabeck et al.
D453,575 S	2/2002	Scalzott	D552,260 S	10/2007	Franson
D453,576 S	2/2002	Scalzott	D552,261 S	10/2007	Wickland
D453,844 S	2/2002	Scalzott	D552,262 S	10/2007	Wickland
D453,845 S	2/2002	Scalzott	D552,761 S	10/2007	Wickland
D453,846 S	2/2002	Scalzott	D552,762 S	10/2007	Wickland
D455,841 S	4/2002	Fisher et al.	D552,763 S	10/2007	Wickland
D458,690 S	6/2002	Roberts et al.	D552,764 S	10/2007	Wickland
D461,014 S	7/2002	Marshall	D553,262 S	10/2007	Wickland
D461,256 S	8/2002	Ballard et al.	D553,762 S	10/2007	Schrader
D461,570 S	8/2002	Ballard et al.	D554,776 S	11/2007	Fannan
D466,623 S	12/2002	Ballard et al.	2003/0159374 A1	8/2003	Burgess
D466,627 S	12/2002	Morton et al.	2004/0000093 A1	1/2004	Guelck

* cited by examiner

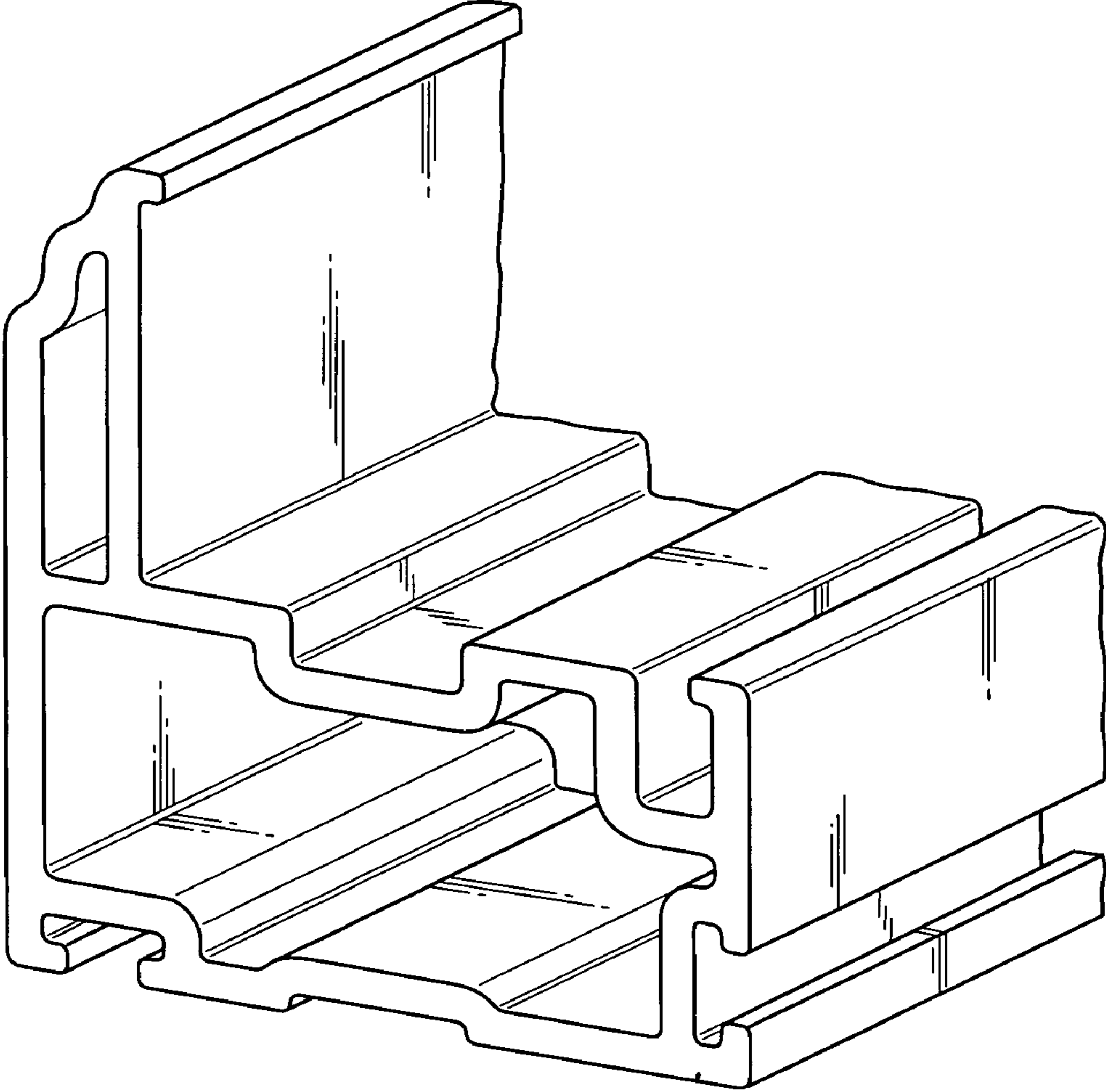


Fig. 1

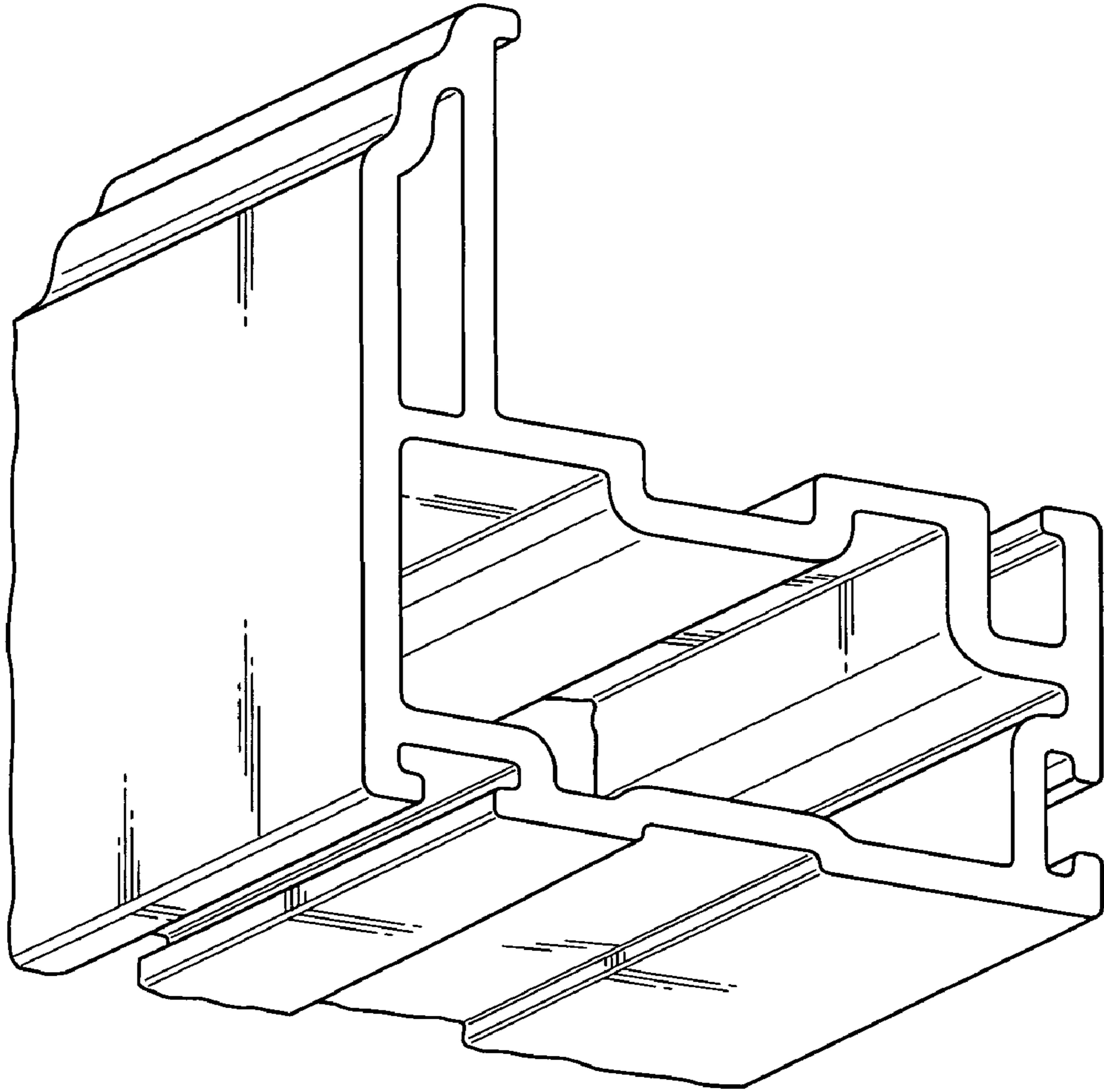


Fig. 2

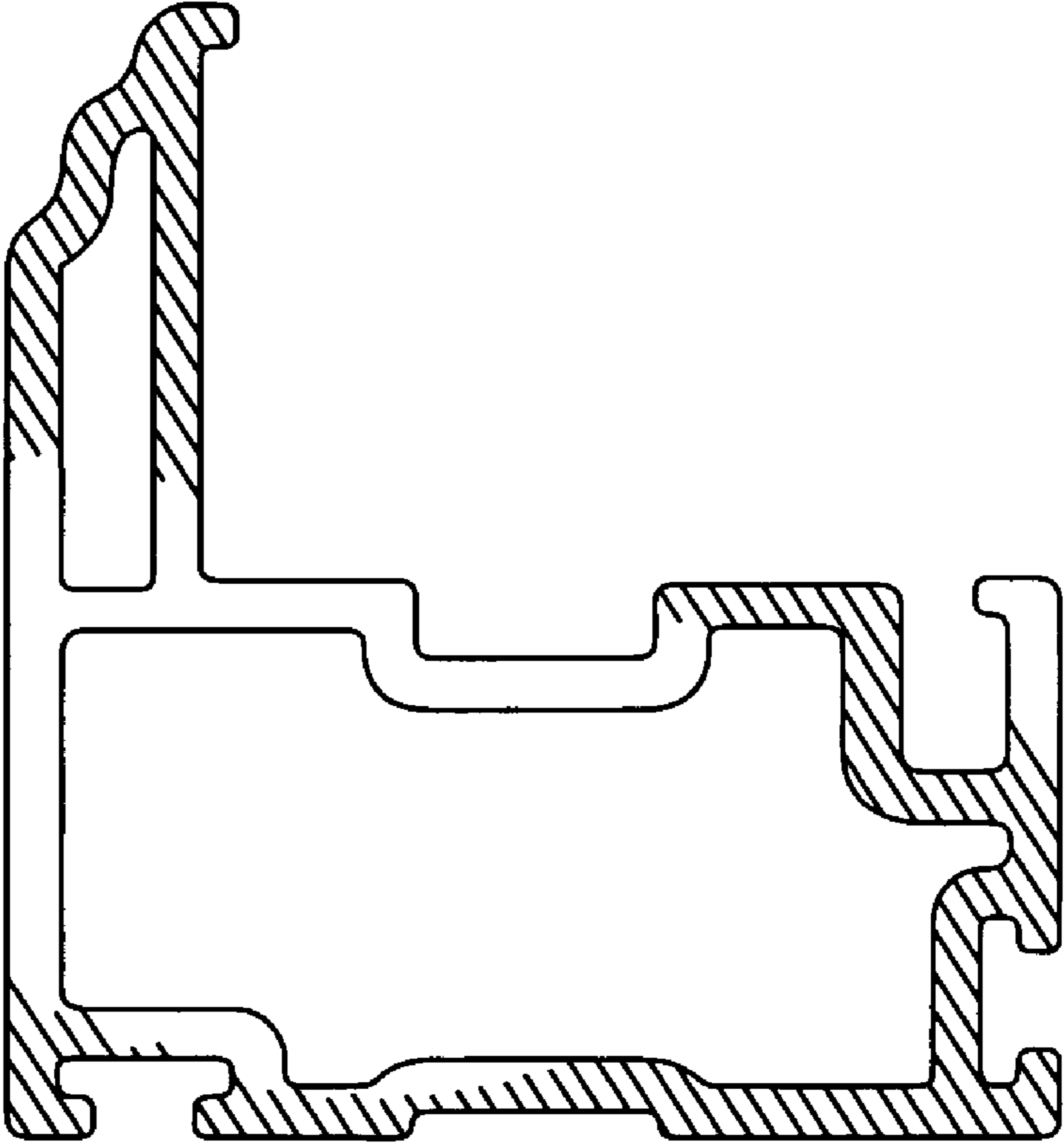


Fig. 3