



US00D597219S

(12) **United States Design Patent**
Campbell et al.

(10) **Patent No.:** **US D597,219 S**
(45) **Date of Patent:** **** *Jul. 28, 2009**

- (54) **WINDOW FRAME PROFILE**
- (75) Inventors: **David Campbell**, Innisfil (CA); **Nina Sterlin**, Thornhill (CA)
- (73) Assignee: **Royal Group, Inc.**, Atlanta, GA (US)
- (*) Notice: This patent is subject to a terminal disclaimer.
- (**) Term: **14 Years**
- (21) Appl. No.: **29/290,998**
- (22) Filed: **Feb. 7, 2008**
- (51) **LOC (9) Cl.** **25-01**
- (52) **U.S. Cl.** **D25/124**
- (58) **Field of Classification Search** D25/124;
52/204.1, 204.5, 204.51, 656.5, 656.6, 656.2,
52/730.3; 49/501, 504, DIG. 2
See application file for complete search history.

D440,669 S	4/2001	Habeck et al.
D441,099 S	4/2001	Habeck et al.
D442,291 S	5/2001	Ballard et al.
D444,894 S	7/2001	Marshall
D452,575 S	12/2001	Edger
6,334,283 B1 *	1/2002	Edger 52/204.1
D453,381 S	2/2002	Ballard et al.
D453,575 S	2/2002	Scalzott
D453,576 S	2/2002	Scalzott
D453,844 S	2/2002	Scalzott
D453,845 S	2/2002	Scalzott
D453,846 S	2/2002	Scalzott
D455,841 S	4/2002	Fisher et al.
D458,690 S	6/2002	Roberts et al.
D461,014 S	7/2002	Marshall
D461,256 S	8/2002	Ballard et al.

(56) **References Cited**
U.S. PATENT DOCUMENTS

5,099,624 A	3/1992	Valentin
D379,534 S *	5/1997	DiGiorgio D25/124
D402,054 S	12/1998	Leonelli
D405,196 S	2/1999	Arcati et al.
D406,653 S	3/1999	Morton et al.
D412,585 S	8/1999	Arcati et al.
D413,395 S	8/1999	Arcati et al.
D417,919 S	12/1999	Hersh et al.
6,006,478 A	12/1999	Hubner et al.
D435,918 S	1/2001	Hauberg et al.
D436,190 S	1/2001	Ballard et al.
D436,412 S	1/2001	Hauberg et al.
D436,413 S	1/2001	Habeck et al.
D438,644 S	3/2001	Habeck et al.
D438,989 S	3/2001	Ballard et al.
D439,679 S	3/2001	Ballard et al.
D440,323 S	4/2001	Habeck et al.
D440,324 S	4/2001	Habeck et al.
D440,664 S	4/2001	Habeck et al.
D440,665 S	4/2001	Habeck et al.

(Continued)

Primary Examiner—Doris Clark
(74) *Attorney, Agent, or Firm*—Hunton & Williams LLP

(57) **CLAIM**

We claim the ornamental design for a window frame profile, as shown and described.

DESCRIPTION

FIG. 1 is a fragmentary top right isometric view of a window frame profile showing the claimed design.

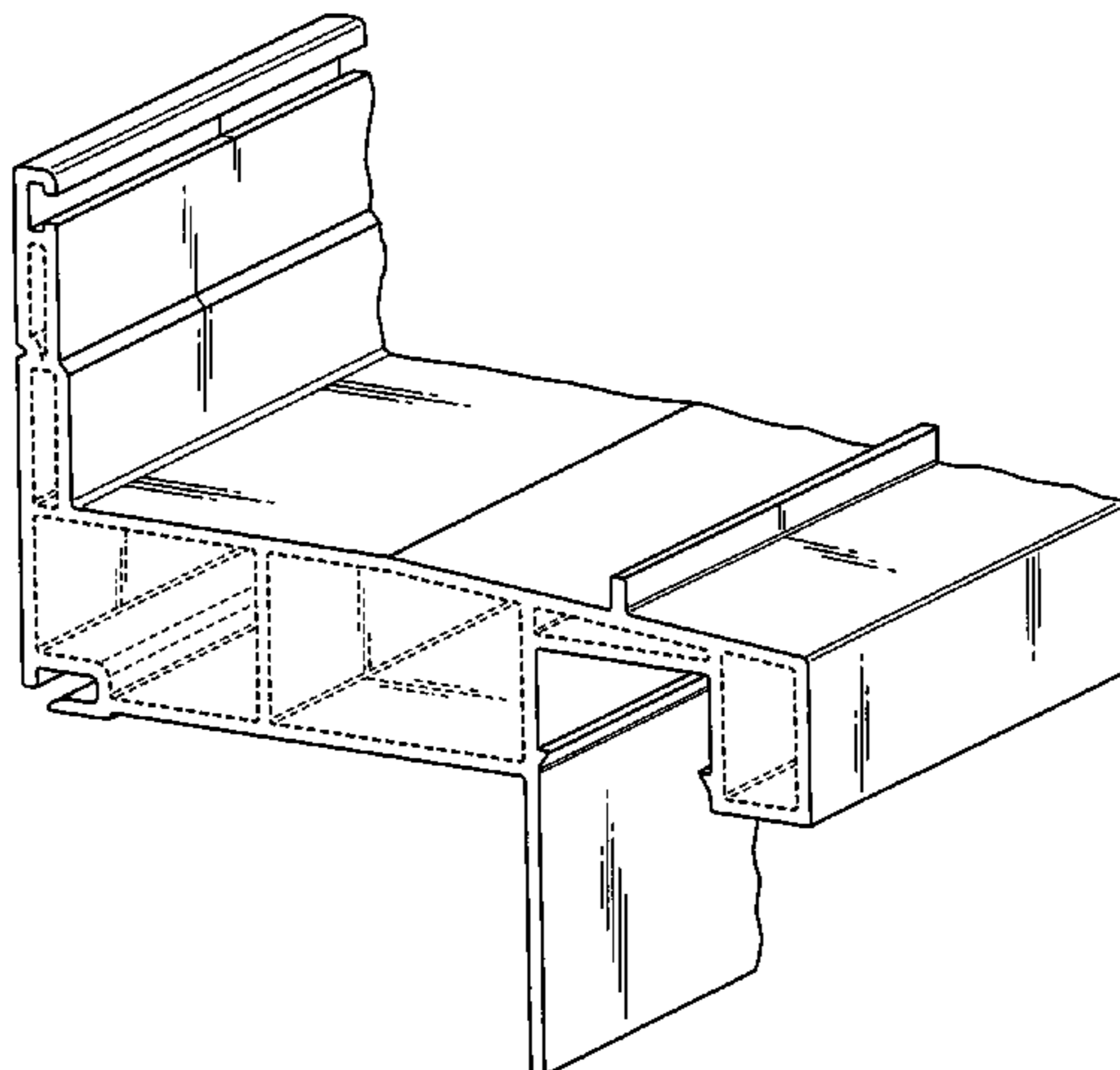
FIG. 2 is a fragmentary bottom left isometric view of the window frame profile of FIG. 1; and,

FIG. 3 is an end elevation view of the window frame profile of FIG. 1.

The claimed design is broken on the end to indicate indeterminate length.

The broken lines are for illustrative purposes only and form no part of the claimed design.

1 Claim, 3 Drawing Sheets



US D597,219 S

Page 2

U.S. PATENT DOCUMENTS

D461,570 S	8/2002	Ballard et al.	D546,976 S	7/2007	Ye
D466,623 S	12/2002	Ballard et al.	D546,977 S	7/2007	Ye
D466,627 S	12/2002	Morton et al.	D546,978 S	7/2007	Ye
D467,355 S	12/2002	Ballard et al.	D546,979 S	7/2007	Ye
D471,647 S	3/2003	Chaney et al.	D550,862 S	9/2007	Brabeck et al.
D495,430 S	8/2004	Franson	D552,260 S	10/2007	Franson
D496,742 S	9/2004	Franson	D552,261 S	10/2007	Wickland
D500,561 S	1/2005	Franson	D552,262 S	10/2007	Wickland
6,857,232 B2	2/2005	Bealko	D552,761 S	10/2007	Wickland
D502,555 S	3/2005	Fannan	D552,762 S	10/2007	Wickland
D505,503 S	5/2005	Wickland	D552,763 S	10/2007	Wickland
D537,540 S	2/2007	Franson	D552,764 S	10/2007	Wickland
D539,932 S	4/2007	Fannan	D553,262 S	10/2007	Wickland
D541,954 S	5/2007	Allen et al.	D553,762 S	10/2007	Schrader
D542,422 S	5/2007	Franson	D554,776 S	11/2007	Fannan
D546,975 S	7/2007	Allen et al.	2003/0159374 A1	8/2003	Burgess
			2004/0000093 A1	1/2004	Guelck

* cited by examiner

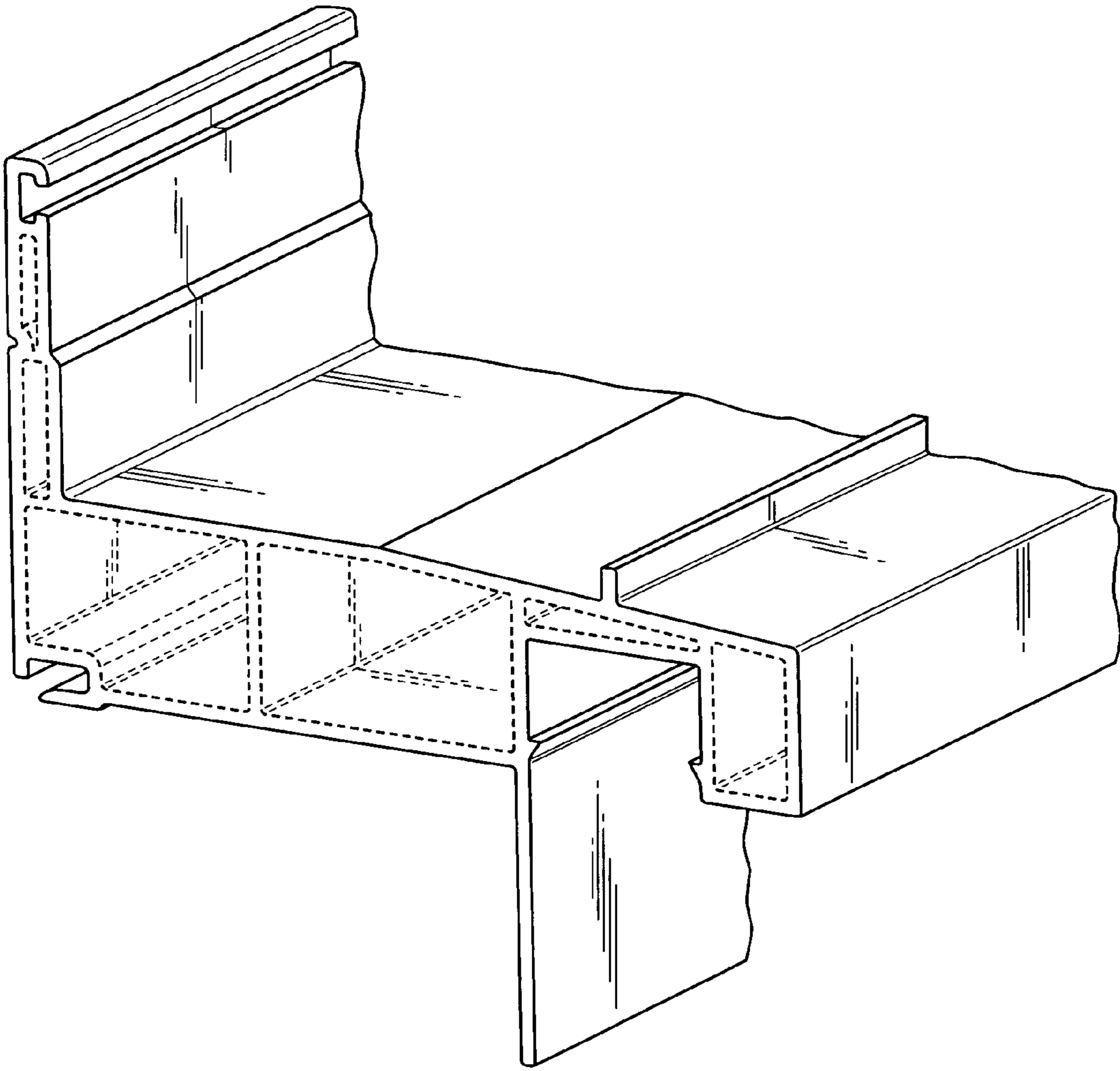


Fig. 1

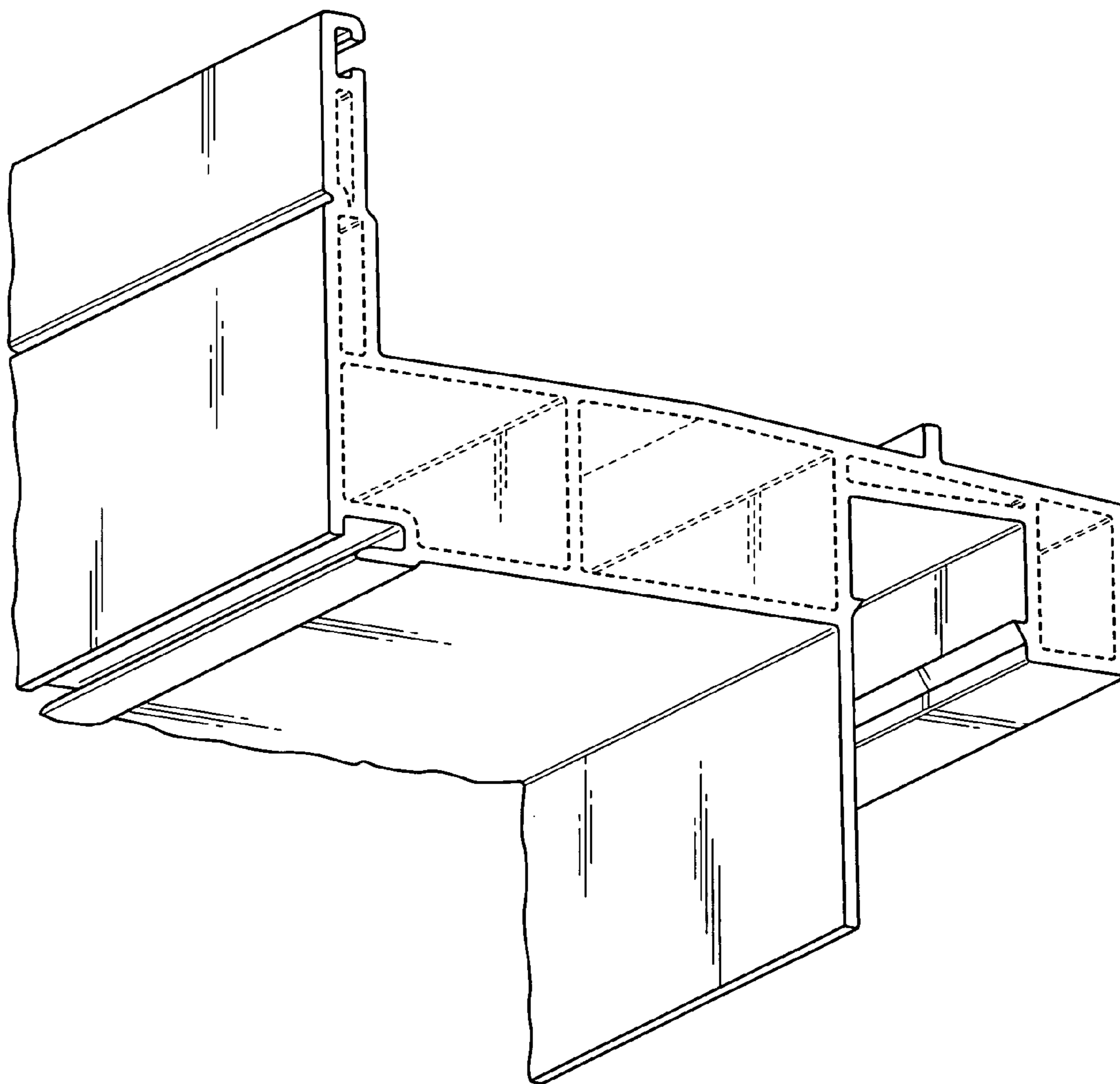


Fig. 2

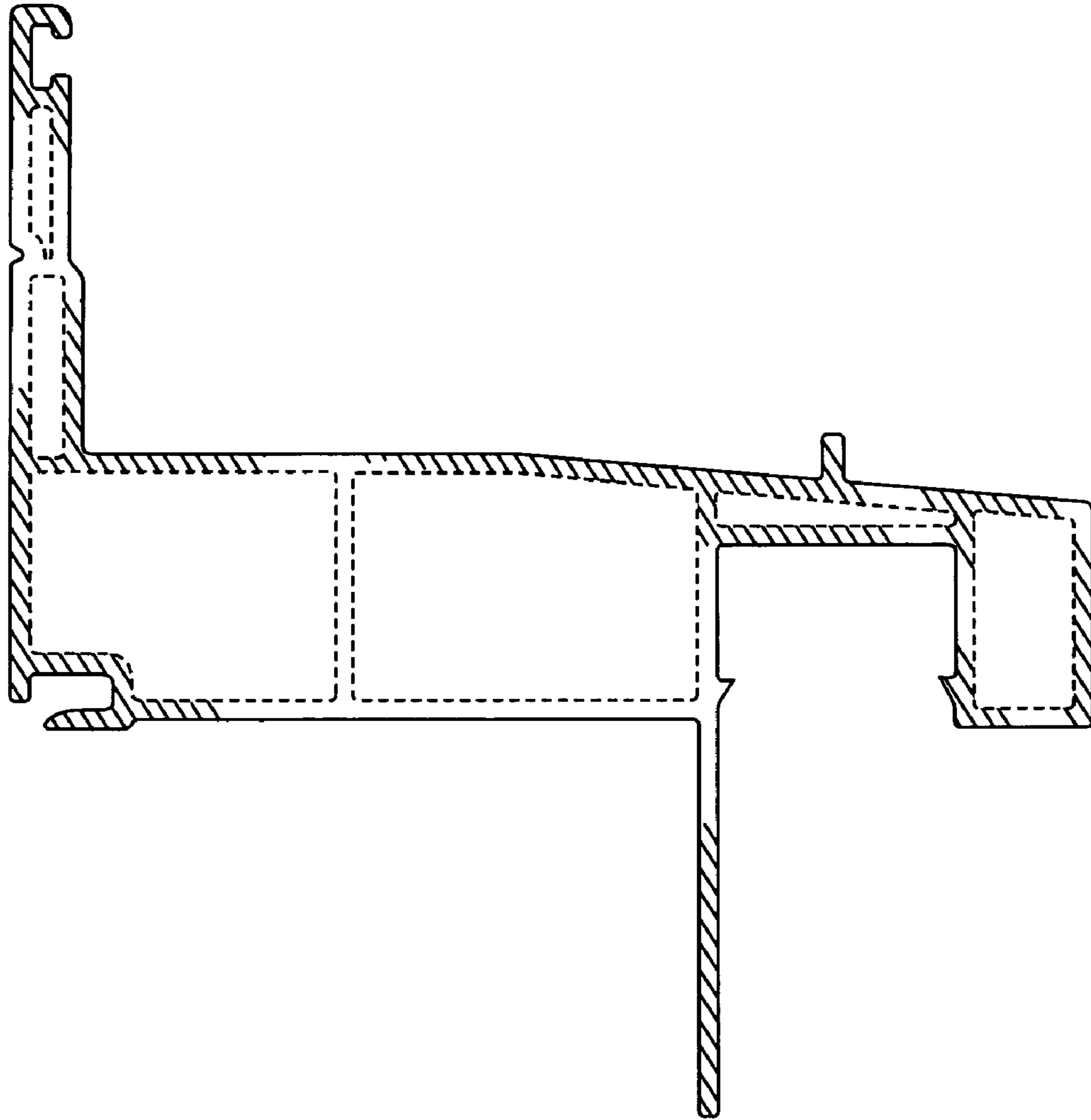


Fig. 3