



US00D597217S

(12) **United States Design Patent**  
**Wounder**

(10) **Patent No.:** **US D597,217 S**  
(45) **Date of Patent:** **\*\* Jul. 28, 2009**

(54) **STAND FOR A CHROMATOGRAPHY COLUMN**

(74) *Attorney, Agent, or Firm*—Yonggang Ji

(75) Inventor: **Sven Wounder**, Uppsala (SE)

(57) **CLAIM**

(73) Assignee: **GE Healthcare Bio-Sciences AB**,  
Uppsala (SE)

The ornamental design for a stand for a chromatography column, as shown and described.

(\*\*) Term: **14 Years**

**DESCRIPTION**

(21) Appl. No.: **29/305,731**

The design for a stand for a chromatography column where the height of the stand above the floor may be adjusted to level the stand and the column. The stand is supported on wheels to allow mobility of the column. The stand also facilitates filling and emptying of the column by means of a pivoting arm.

(22) Filed: **Mar. 27, 2008**

(30) **Foreign Application Priority Data**

Sep. 28, 2007 (EM) ..... 000798699

FIG. 1 is a perspective view of the stand for a chromatography column showing our new design.

(51) **LOC (9) Cl.** ..... **24-01**

FIG. 2 is a left side view of the stand for a chromatography column of FIG. 1

(52) **U.S. Cl.** ..... **D24/224**

(58) **Field of Classification Search** ..... D24/216–232;  
D10/81; 422/99, 102, 104; D6/429, 491,  
D6/495, 496; 248/129, 188.1, 188.8, 188.9  
See application file for complete search history.

FIG. 3 is a right side view of the stand for a chromatography column of FIG. 1.

(56) **References Cited**

**U.S. PATENT DOCUMENTS**

D247,034 S *	1/1978	Brodmann	.....	D6/495
D307,182 S *	4/1990	Smith	.....	D24/128
5,165,632 A *	11/1992	Kuan	.....	248/129
D376,550 S *	12/1996	Sims et al.	.....	D24/224
6,139,219 A *	10/2000	Vinarsky	.....	248/129
D468,137 S *	1/2003	Ulmer	.....	D6/496
D551,104 S *	9/2007	Wounder	.....	D24/224

FIG. 4 is a front view of the stand for a chromatography column of FIG. 1.

FIG. 5 is a top plan view of the stand for a chromatography column of FIG. 1.

FIG. 6 is a reduced scale, perspective view of the stand for a chromatography column of FIG. 1 with the column in vertical position; and,

FIG. 7 is a reduced scale, perspective view of the stand for a chromatography column of FIG. 1 with the column in angled position.

The broken line showing of a chromatography column is for purposes of illustrating environmental structure that forms no part of the claimed design.

\* cited by examiner

*Primary Examiner*—T. Chase Nelson  
*Assistant Examiner*—Anhdao Doan

**1 Claim, 7 Drawing Sheets**

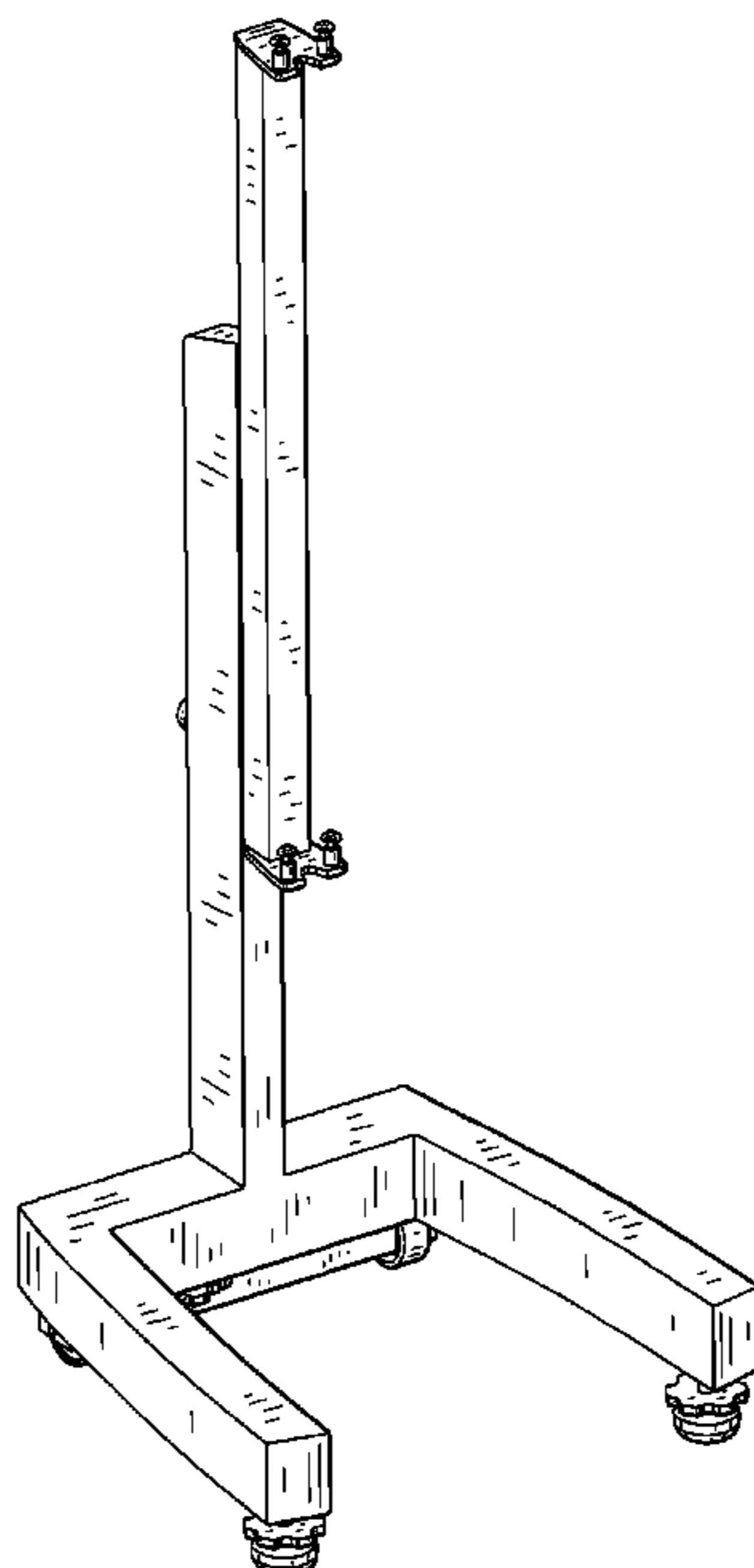


FIG. 1

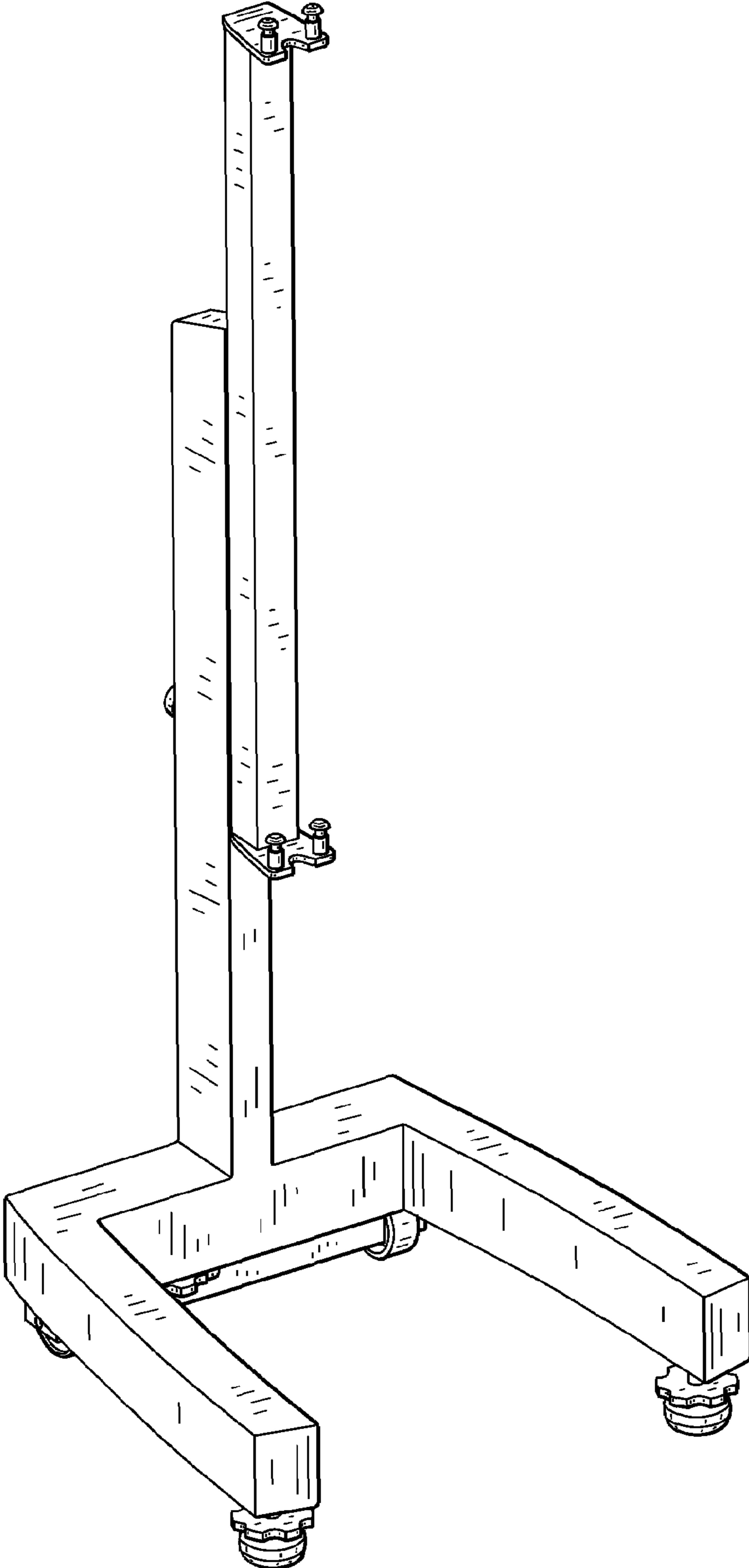


FIG. 2

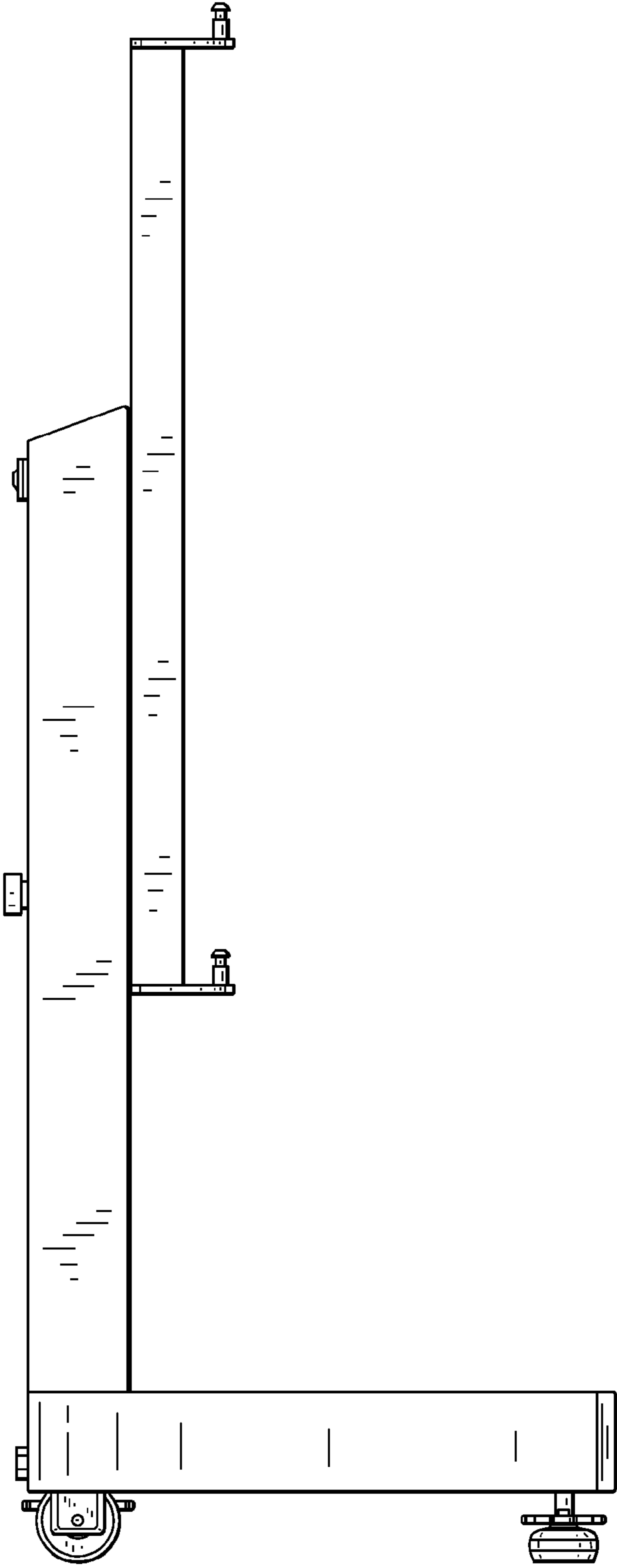


FIG. 3

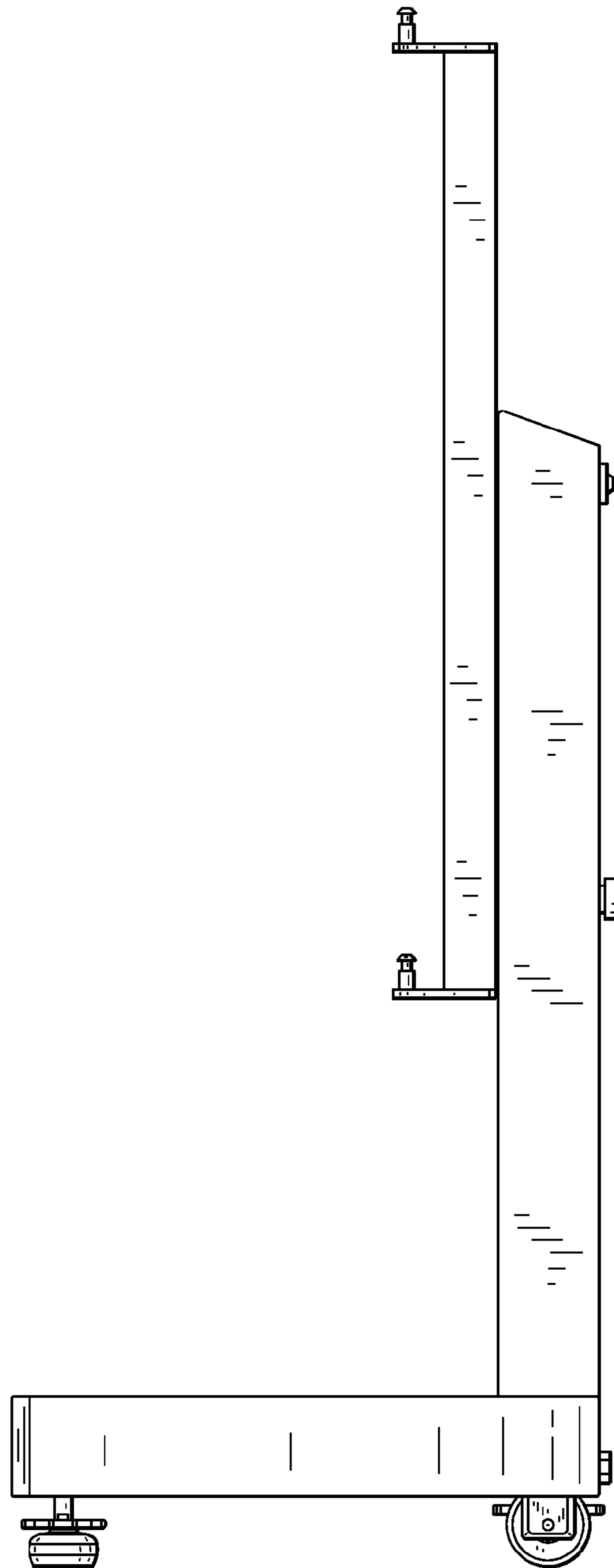


FIG. 4

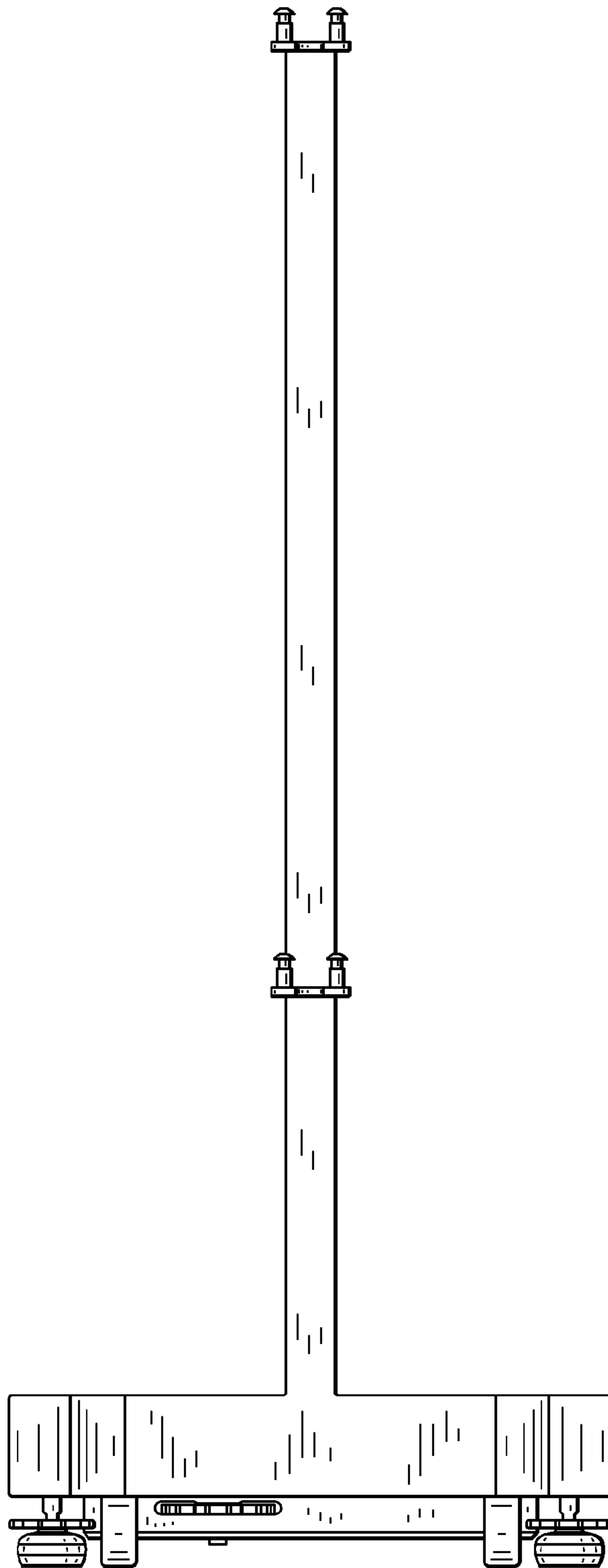


FIG. 5

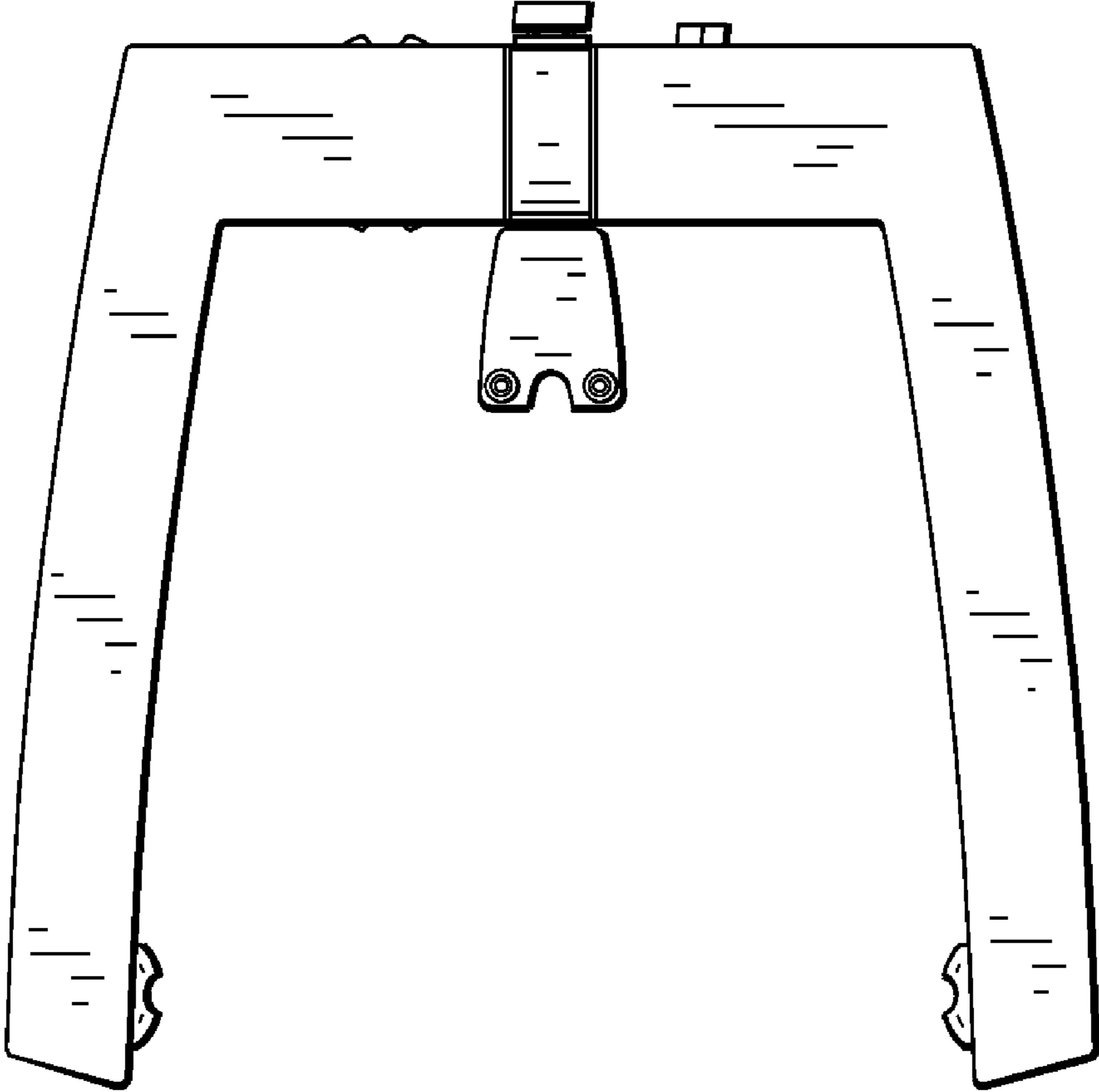


FIG. 6

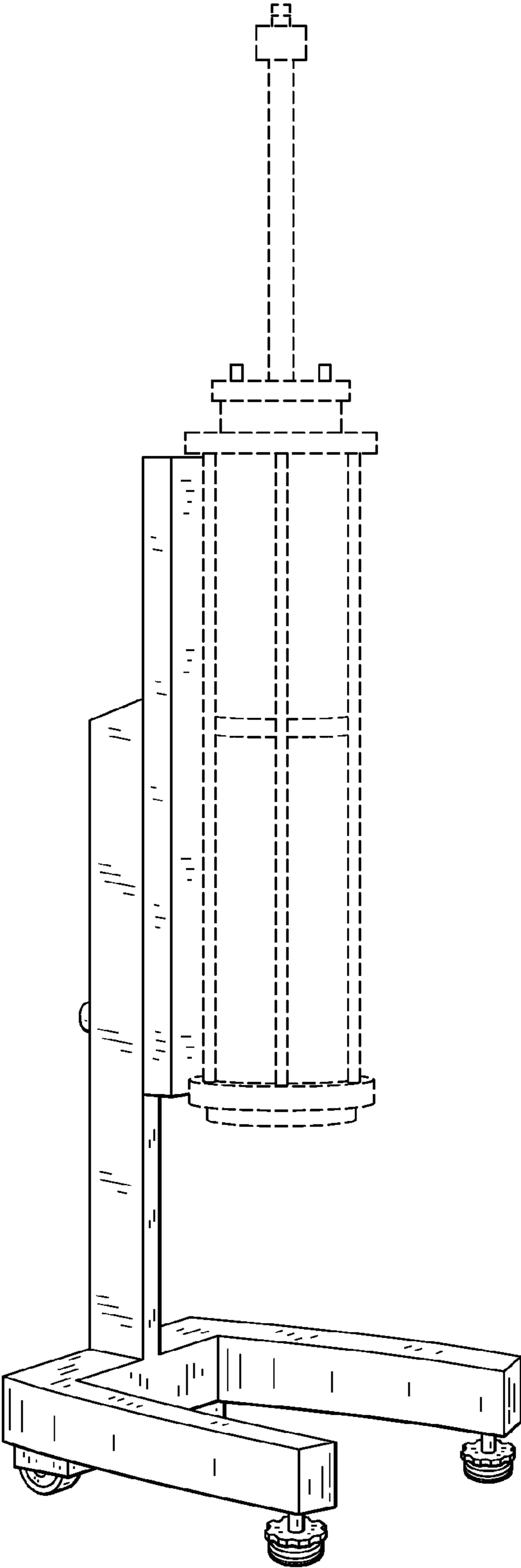


FIG. 7

