



US00D597214S

(12) **United States Design Patent**  
**Savage et al.**

(10) **Patent No.:** **US D597,214 S**  
(45) **Date of Patent:** **\*\* Jul. 28, 2009**

(54) **SUNLIGHT SIMULATION DEVICE**

(75) Inventors: **Ryan Savage**, Salt Lake City, UT (US);  
**Cameron Jaccard**, Pleasant Grove, UT  
(US); **Kent Savage**, American Fork, UT  
(US); **Michael Horito**, Provo, UT (US)

(73) Assignee: **RIC Investments, LLC**, Wilmington,  
DE (US)

(\*\*) Term: **14 Years**

(21) Appl. No.: **29/325,243**

(22) Filed: **Sep. 26, 2008**

(51) **LOC (9) Cl.** ..... **28-03**

(52) **U.S. Cl.** ..... **D24/209**

(58) **Field of Classification Search** ..... D24/200,  
D24/209, 210; 607/80, 88, 91, 93, 95; D26/36,  
D26/104, 118; 362/19, 298, 345, 373, 396,  
362/399

See application file for complete search history.

(56) **References Cited**

**U.S. PATENT DOCUMENTS**

- D480,480 S \* 10/2003 Lomberg et al. .... D24/209
- 6,875,225 B1 \* 4/2005 Pederson et al. .... 607/88
- D510,627 S \* 10/2005 Lomberg et al. .... D24/209
- D545,973 S \* 7/2007 Powell et al. .... D24/209
- D552,747 S \* 10/2007 Chang ..... D24/209

D556,334 S \* 11/2007 Chen et al. .... D24/209

\* cited by examiner

*Primary Examiner*—Cathron C Brooks

*Assistant Examiner*—Melanie Levy

(57) **CLAIM**

The ornamental design for a sunlight simulation device, as shown and described.

**DESCRIPTION**

FIG. 1 is a frontal perspective view of an embodiment of a design for a sunlight simulation device;

FIG. 2 is a front view of the sunlight simulation device shown in FIG. 1;

FIG. 3 is a rear view of the sunlight simulation device shown in FIG. 1;

FIG. 4 is a first side view of the sunlight simulation device shown in FIG. 1;

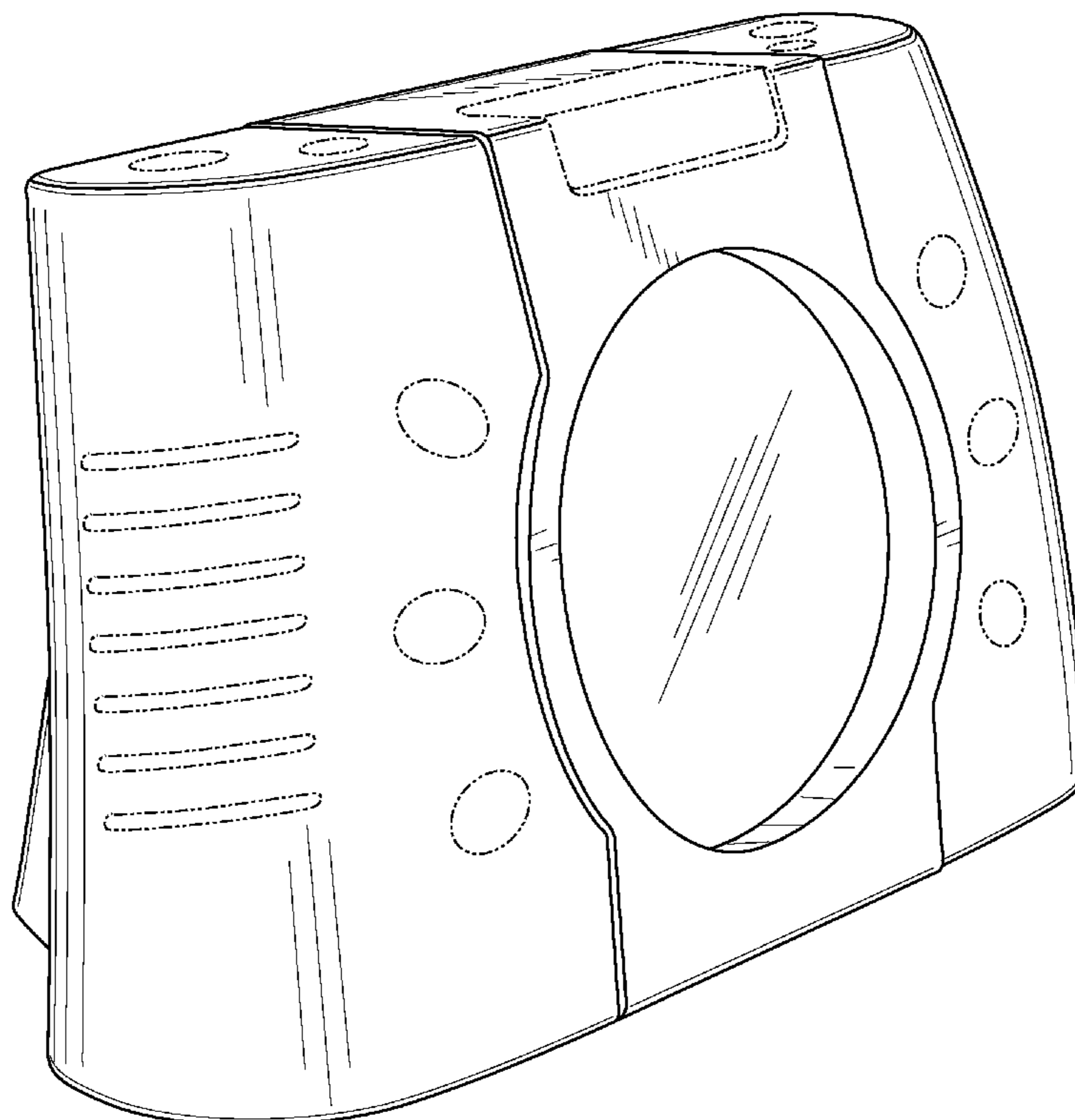
FIG. 5 is a second side view of the sunlight simulation device shown in FIG. 1;

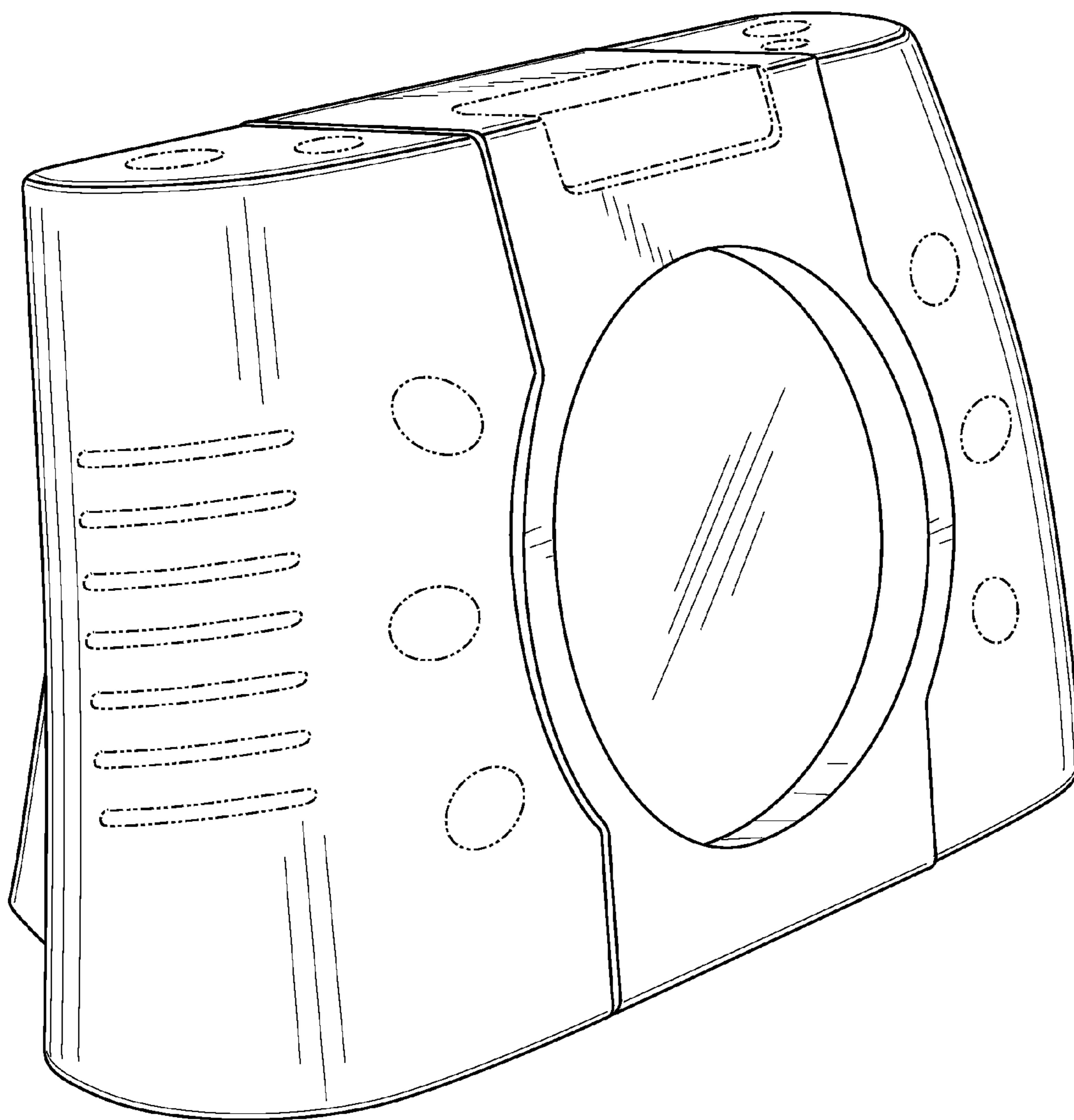
FIG. 6 is a top view of the sunlight simulation device shown in FIG. 1; and,

FIG. 7 is a bottom view of the sunlight simulation device shown in FIG. 1.

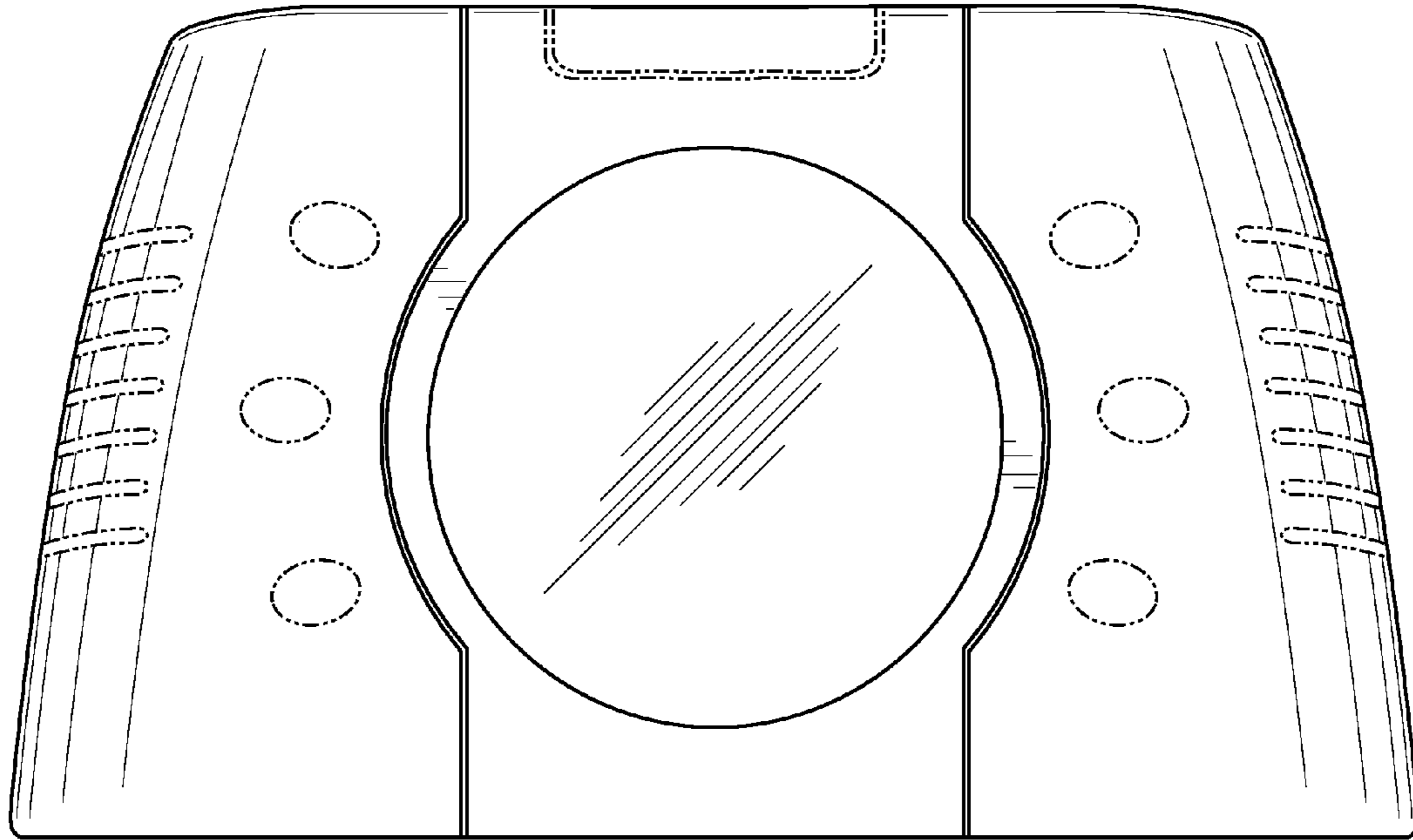
None of the features shown in phantom forms any part of the claimed design.

**1 Claim, 4 Drawing Sheets**

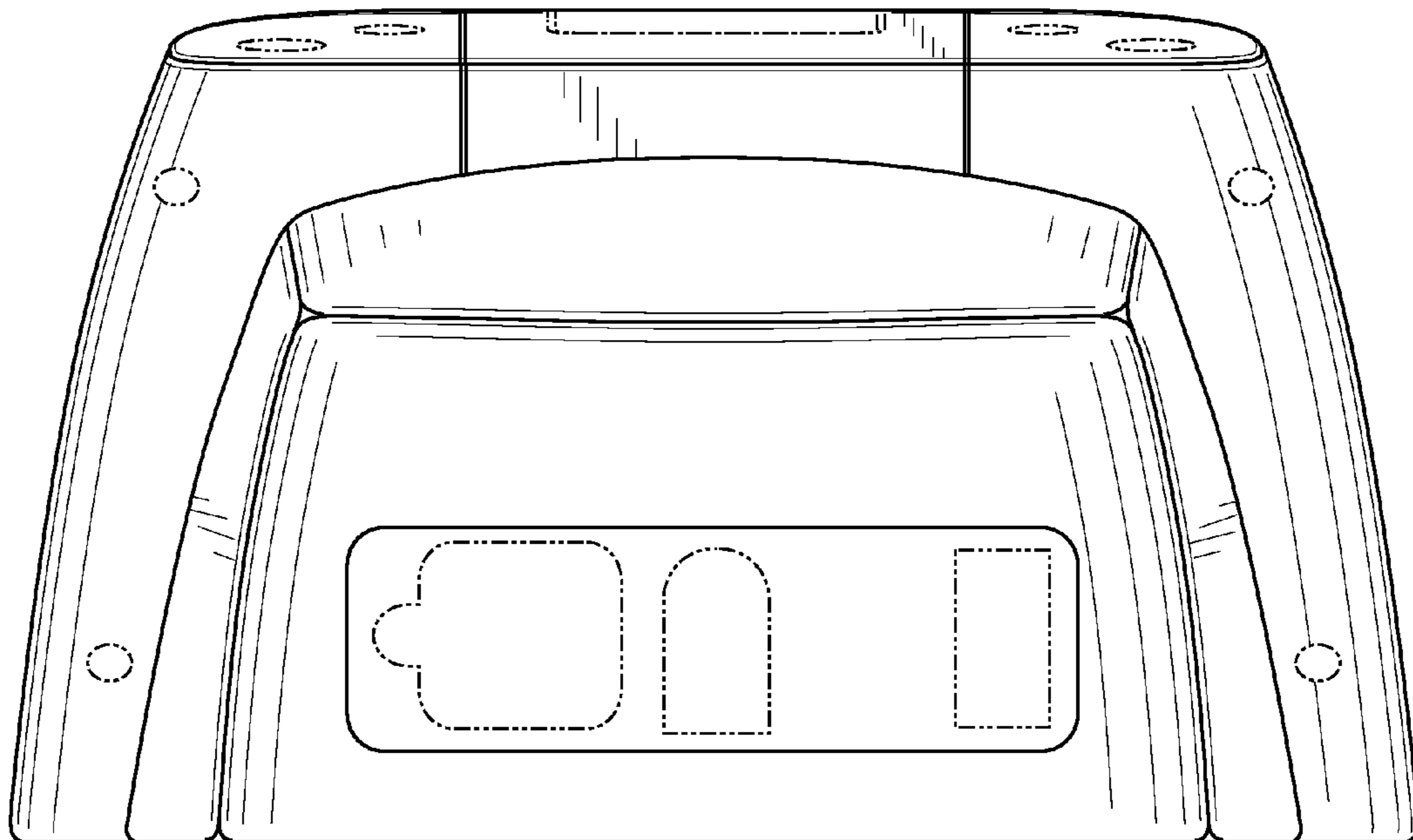




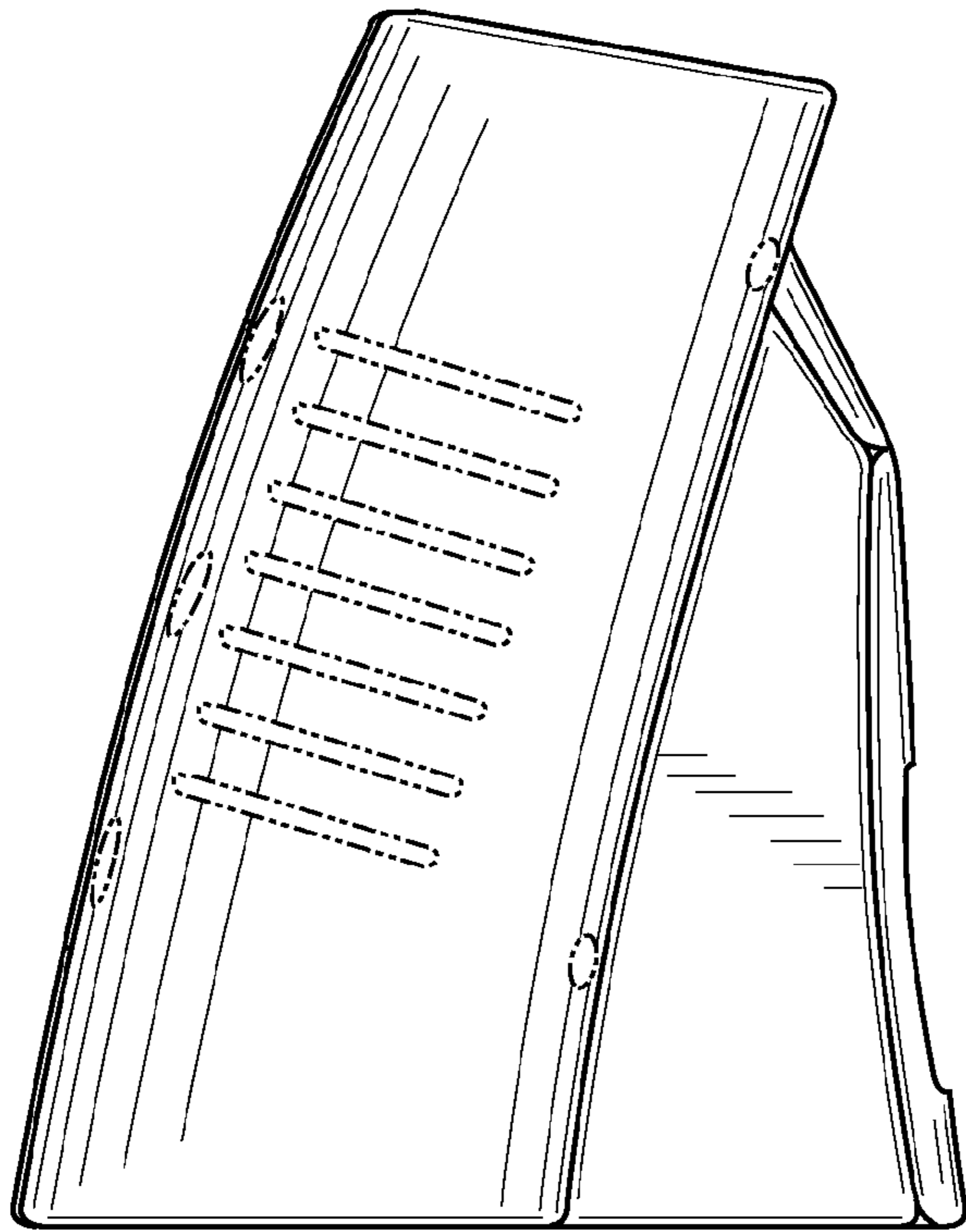
**FIG. 1**



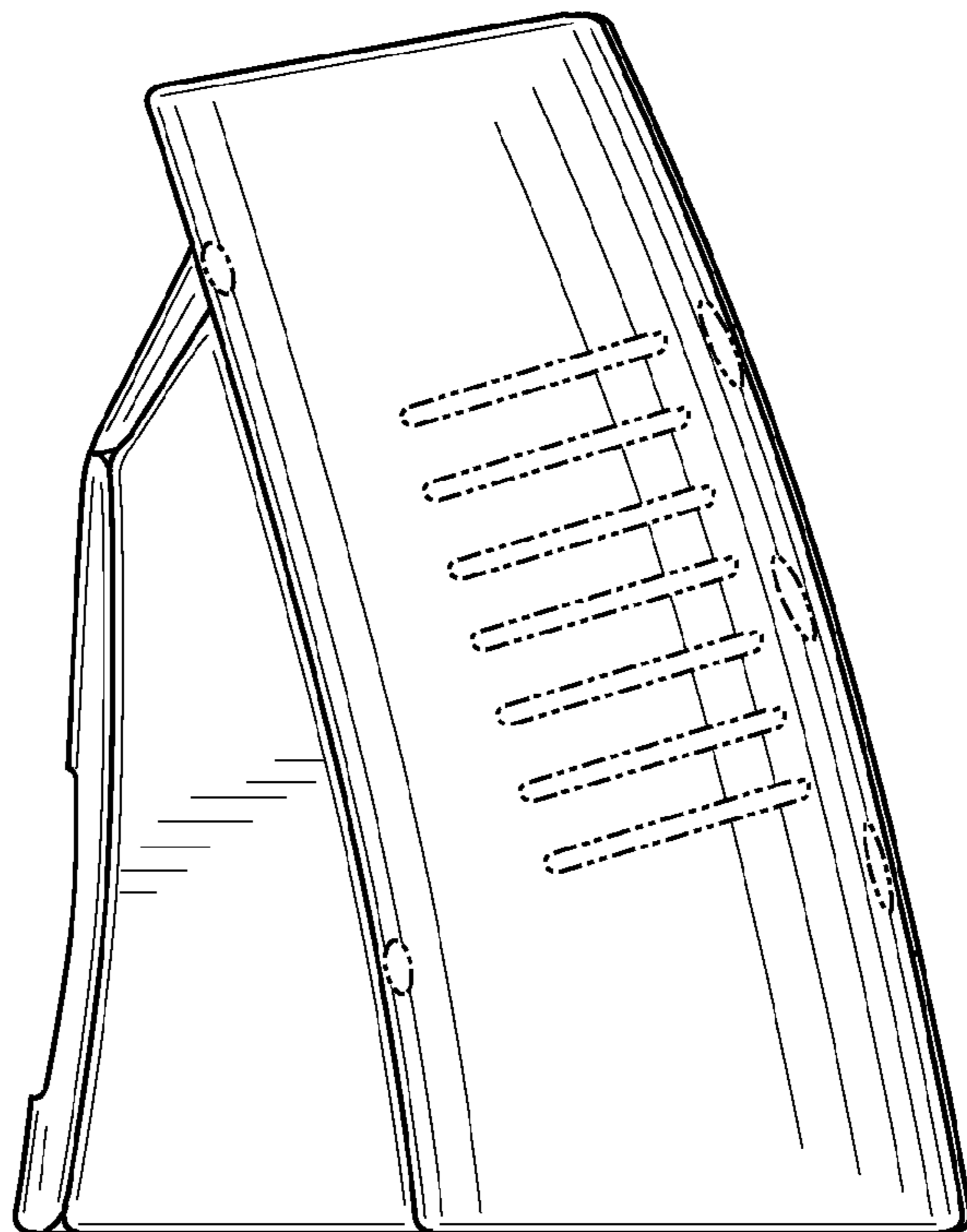
**FIG. 2**



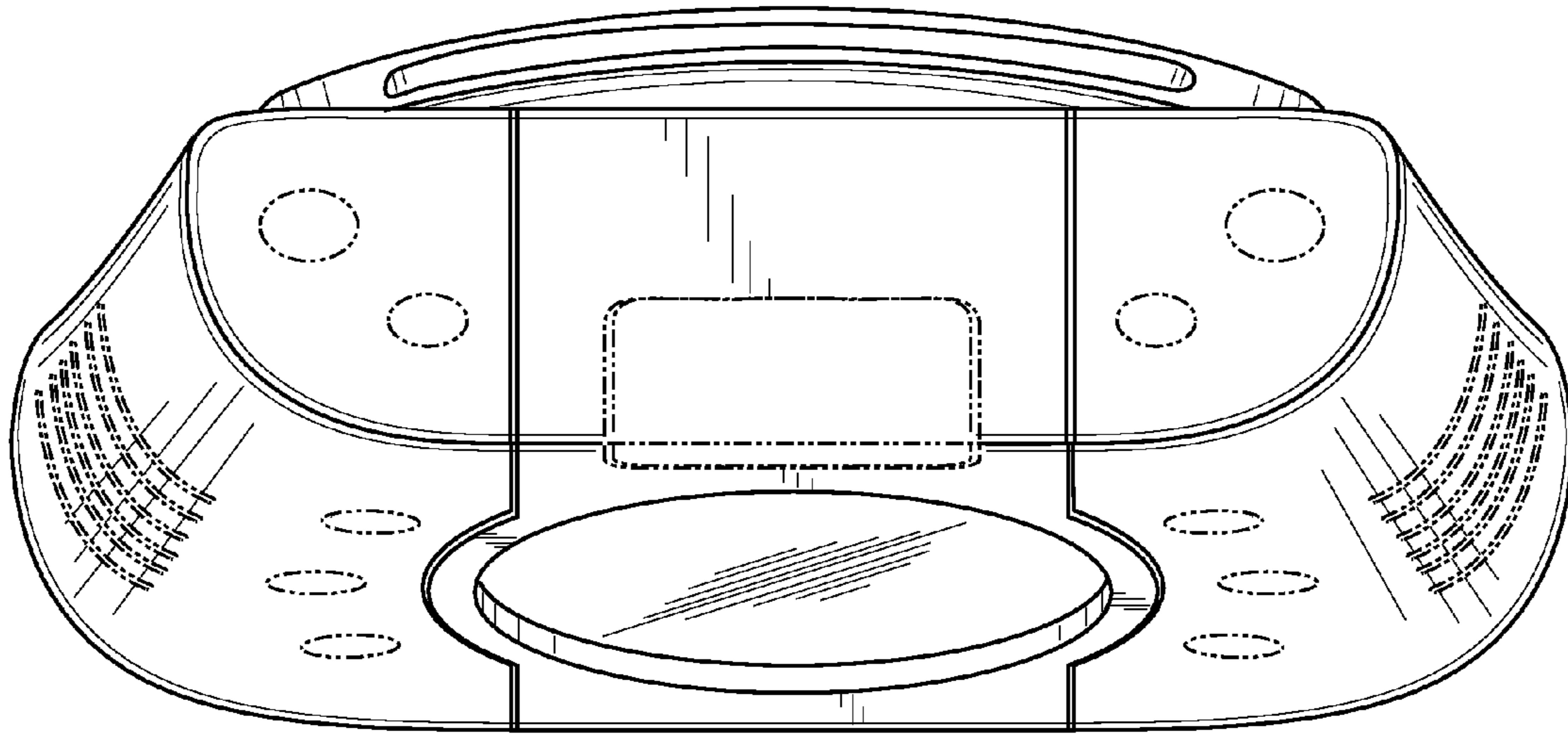
**FIG. 3**



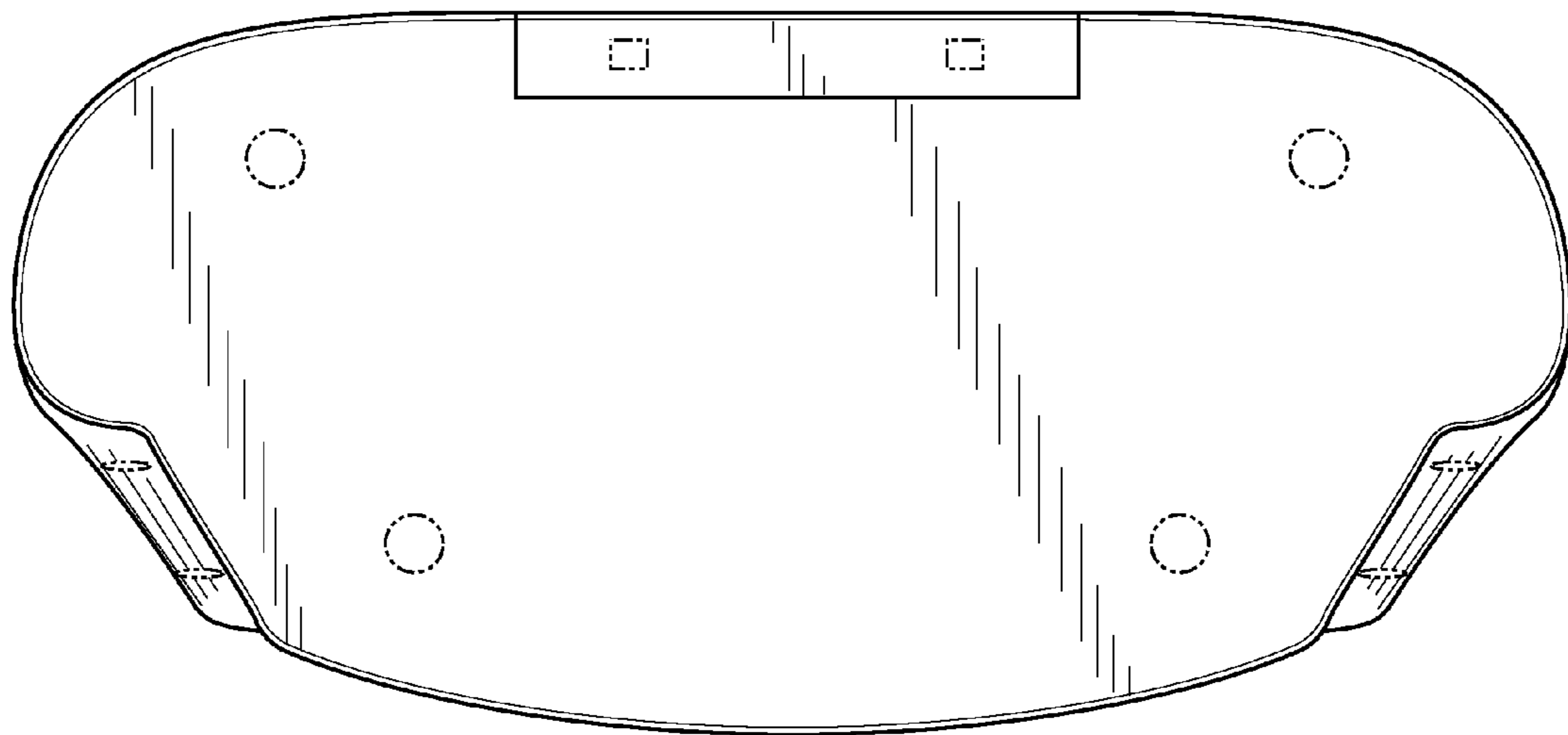
**FIG. 4**



**FIG. 5**



**FIG. 6**



**FIG. 7**