



US00D597213S

(12) **United States Design Patent**
Barnett

(10) **Patent No.:** **US D597,213 S**
(45) **Date of Patent:** **** Jul. 28, 2009**

(54) **DROPPER AND CAP**

(75) Inventor: **Seth Barnett**, Oceanside, NY (US)

(73) Assignee: **Medtech Products, Inc.**, Irvington, NY (US)

(**) Term: **14 Years**

(21) Appl. No.: **29/331,481**

(22) Filed: **Jan. 27, 2009**

(51) **LOC (9) Cl.** **24-04**

(52) **U.S. Cl.** **D24/196; D24/117**

(58) **Field of Classification Search** D24/115, D24/117, 193–199; D3/22, 202, 215, 226, D3/229–230; D9/452, 454, 500–504, 520, D9/526, 529, 530, 538–539, 542–543, 552–553, D9/563, 571, 724; D7/511, 533, 607, 619.1, D7/624.2–624.3; 215/6, 11.1–11.6, 12.1, 215/13.1, 216, 255, 256, 321, 349, 378, 387, 215/398, 400, 902, DIG. 8; 446/73, 81, 175; 248/102, 363; 294/64.1, 106; 220/739, 902–903, 220/DIG. 27; 222/153.14, 158, 209, 213, 222/420, 455, 457, 562–563; 606/236; 604/295
See application file for complete search history.

(56) **References Cited**

U.S. PATENT DOCUMENTS

2,555,054	A *	5/1951	Oliver	215/11.1
2,579,194	A *	12/1951	Kronish	215/11.6
2,616,581	A *	11/1952	Madsen et al.	215/11.5
4,623,068	A *	11/1986	Brown et al.	215/11.1
D328,244	S *	7/1992	Hamilton et al.	D9/724
5,269,425	A *	12/1993	Gomez-Acevedo	215/11.1
D380,828	S *	7/1997	Franchi	D24/117
D382,969	S *	8/1997	Giles et al.	D24/197
D406,889	S *	3/1999	Hesson et al.	D24/115
6,089,389	A *	7/2000	Sharon et al.	215/11.1
D451,396	S *	12/2001	Johnson et al.	D9/530
7,178,703	B2 *	2/2007	Spada et al.	222/420

* cited by examiner

Primary Examiner—Phillip S Hyder
Assistant Examiner—Susan E Krakower
(74) *Attorney, Agent, or Firm*—Alston & Bird LLP

(57) **CLAIM**

The ornamental design for a dropper and cap, as shown and described.

DESCRIPTION

FIG. 1 is a perspective view of a dropper and cap according to my new design;

FIG. 2 is a front elevation view thereof;

FIG. 3 is a rear elevation view thereof;

FIG. 4 is a left side elevation view thereof;

FIG. 5 is a right side elevation view thereof;

FIG. 6 is a top plan view thereof;

FIG. 7 is a bottom plan view thereof taken along line 7—7 of FIG. 8;

FIG. 8 is an exploded left side elevation view thereof;

FIG. 9 is a cross-section exploded left side elevation view thereof taken along line 9—9 of FIG. 6;

FIG. 10 is a perspective view of a dropper, shown without a cap, according to my new design;

FIG. 11 is a front elevation view thereof;

FIG. 12 is a rear elevation view thereof;

FIG. 13 is a left side elevation view thereof;

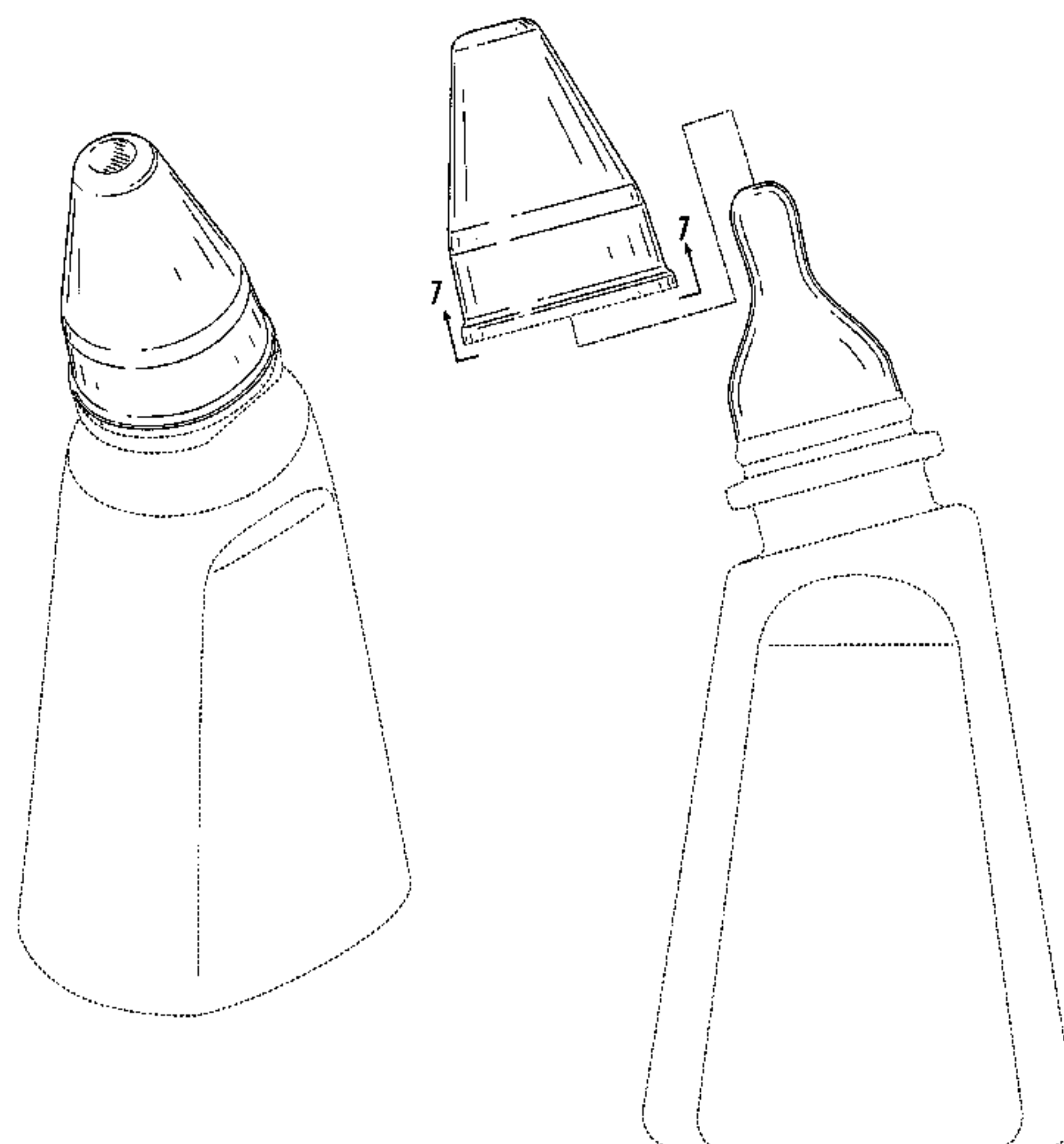
FIG. 14 is a right side elevation view thereof; and,

FIG. 15 is a top plan view thereof.

The broken lines showing the bottom edges of the cap and nipple portions, top taper of the nipple opening and the interior side wall of the nipple define the bounds and form no part of the claimed design.

The broken lines showing the bottle illustrates environmental structure and form no part of the claimed design.

1 Claim, 14 Drawing Sheets



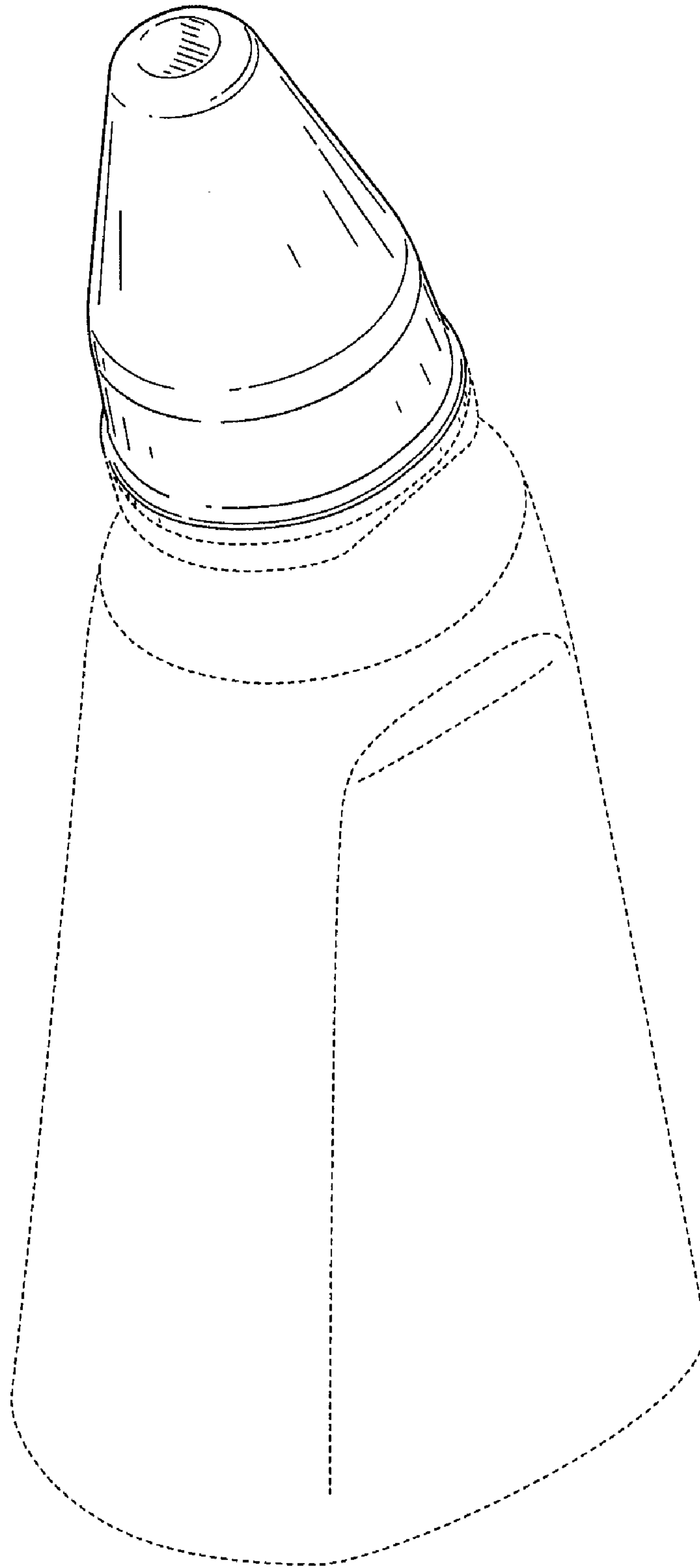


FIG. 1

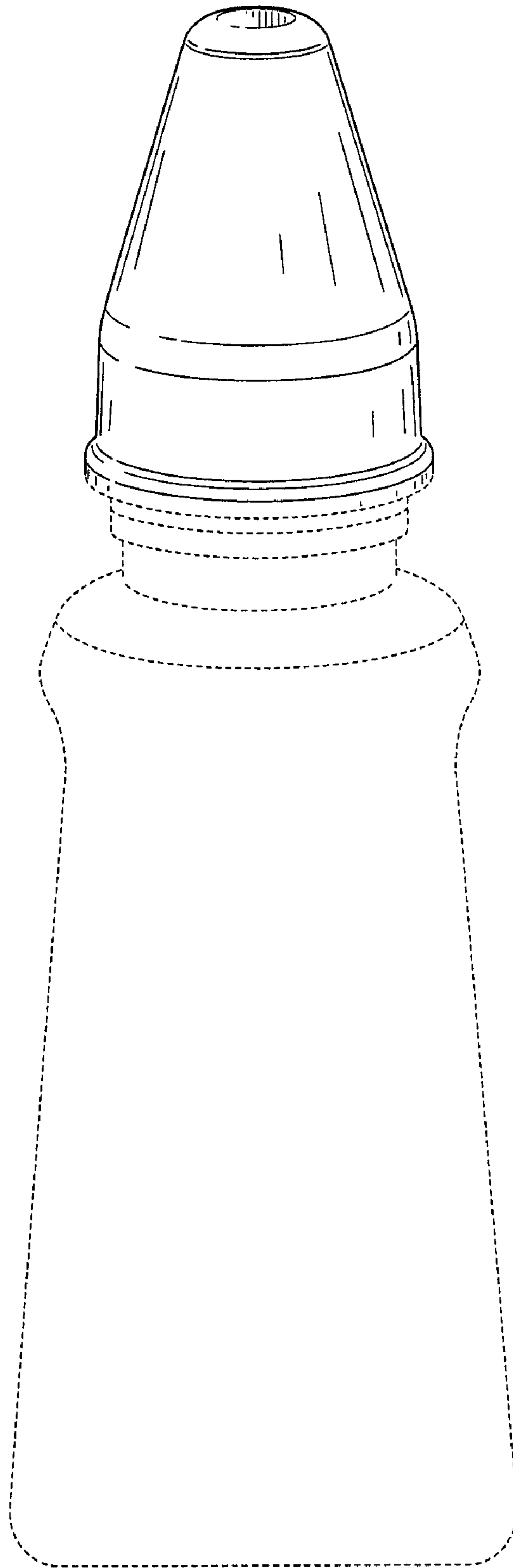


FIG. 2

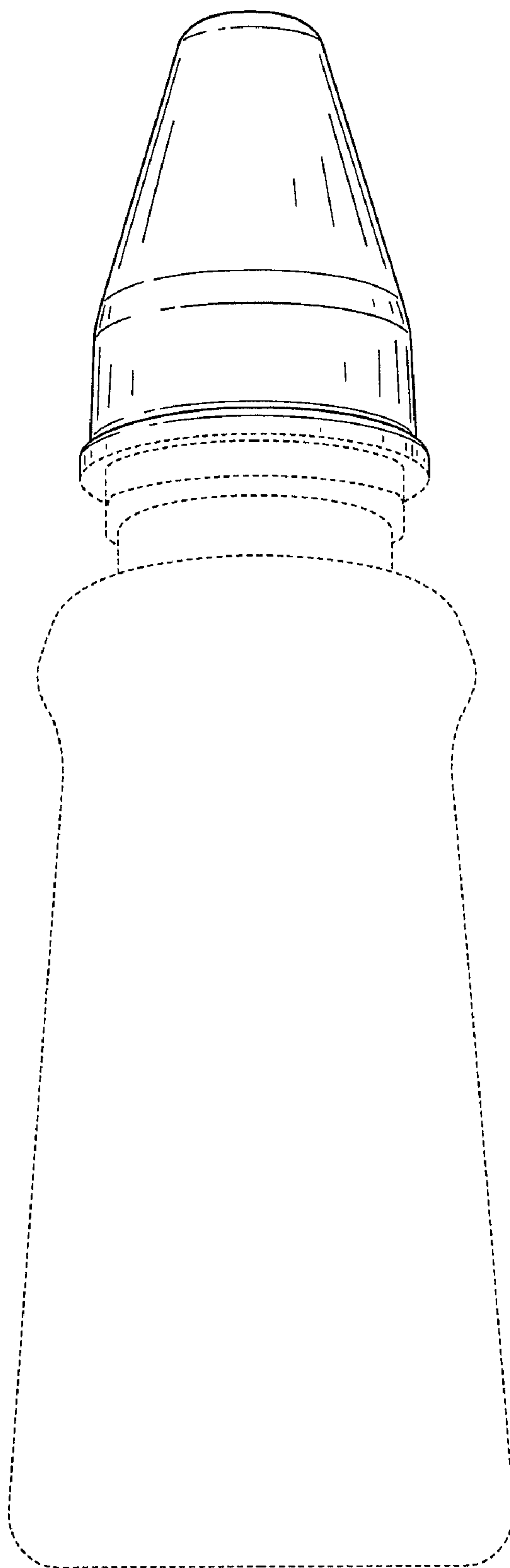


FIG. 3

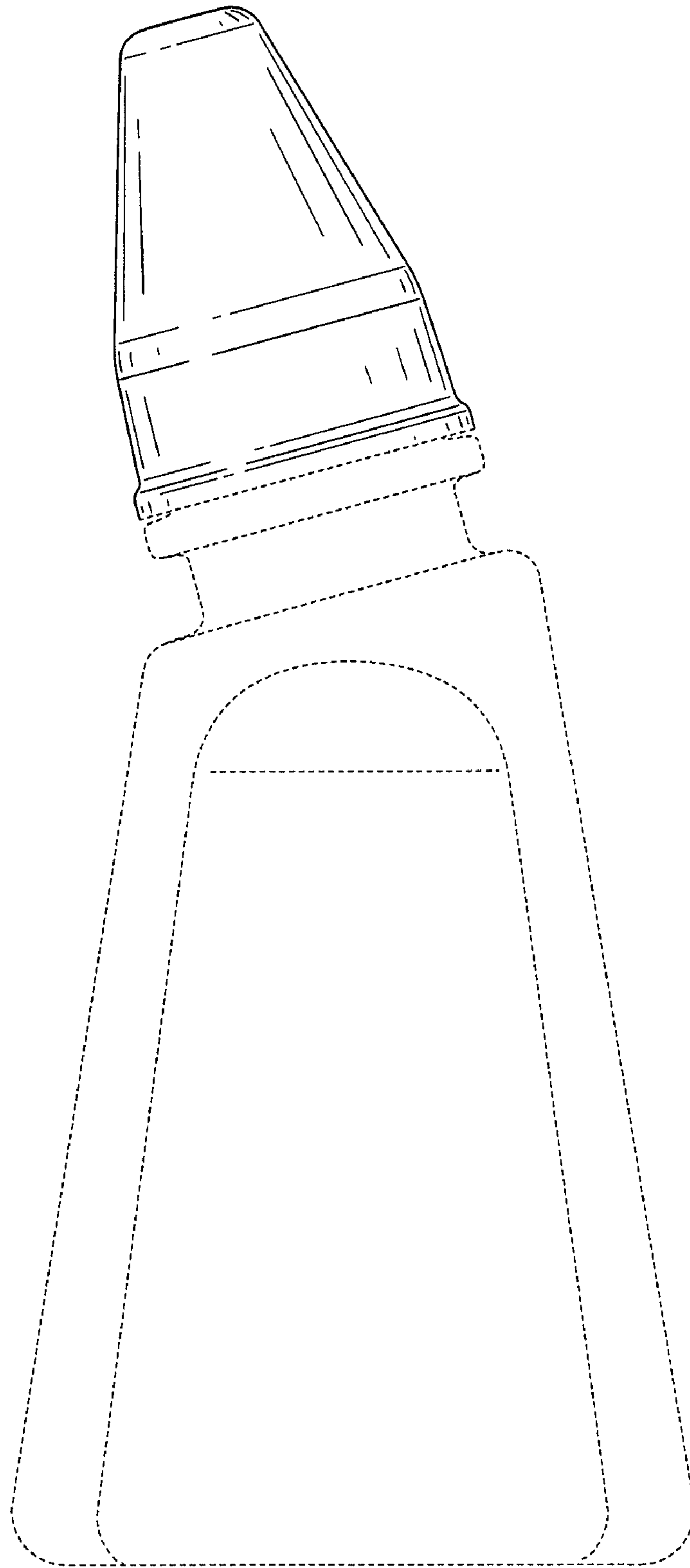


FIG. 4

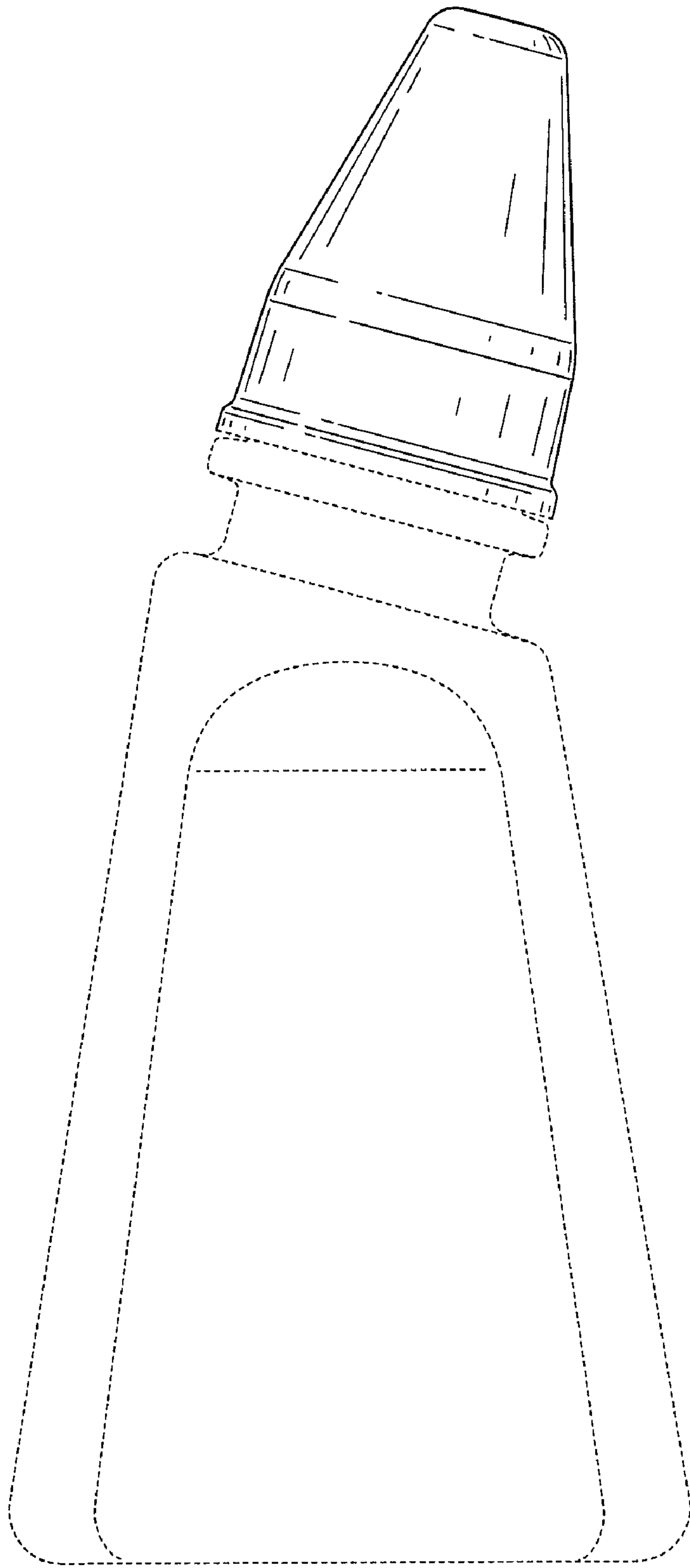


FIG. 5

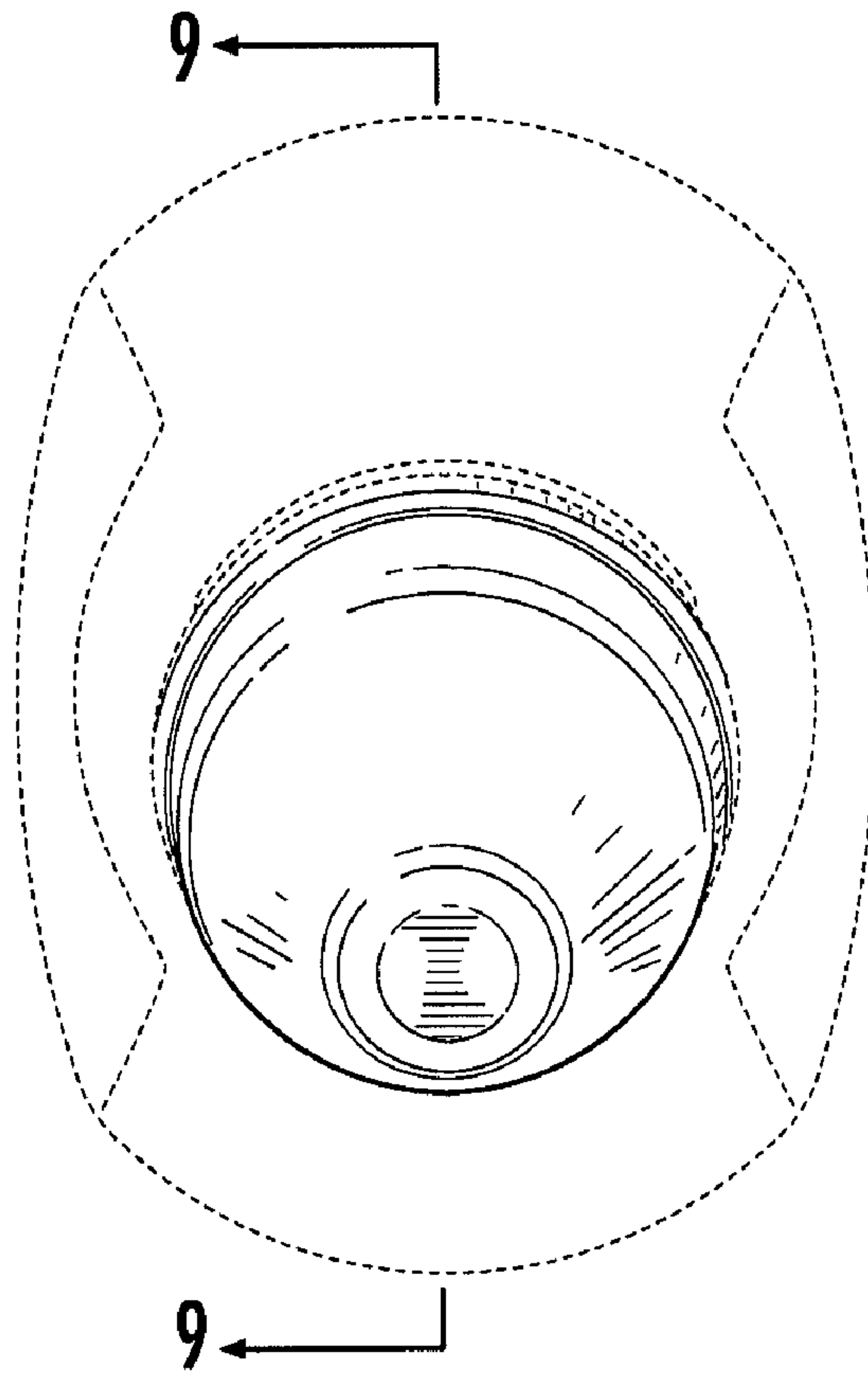


FIG. 6

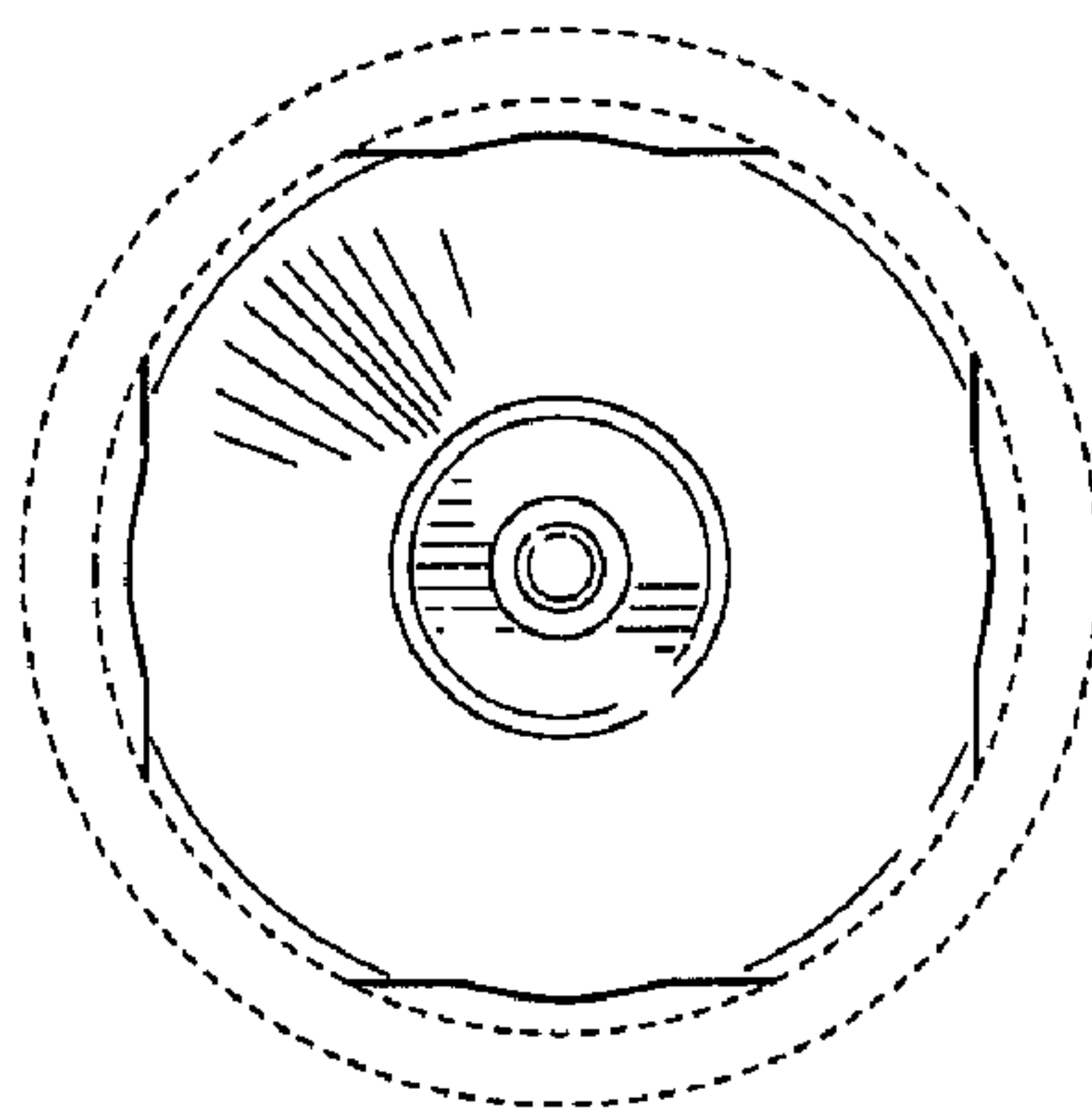


FIG. 7

FIG. 8

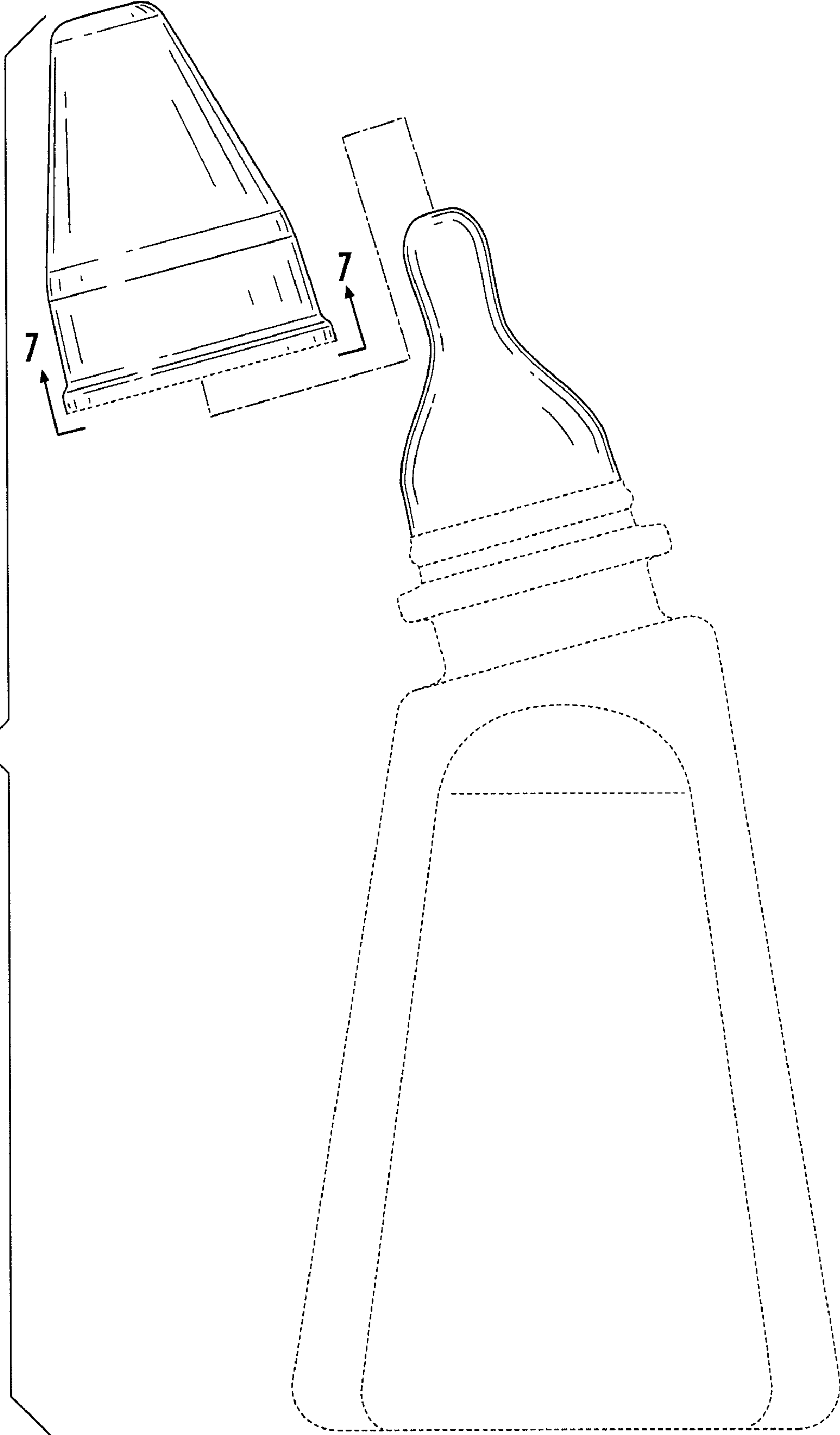
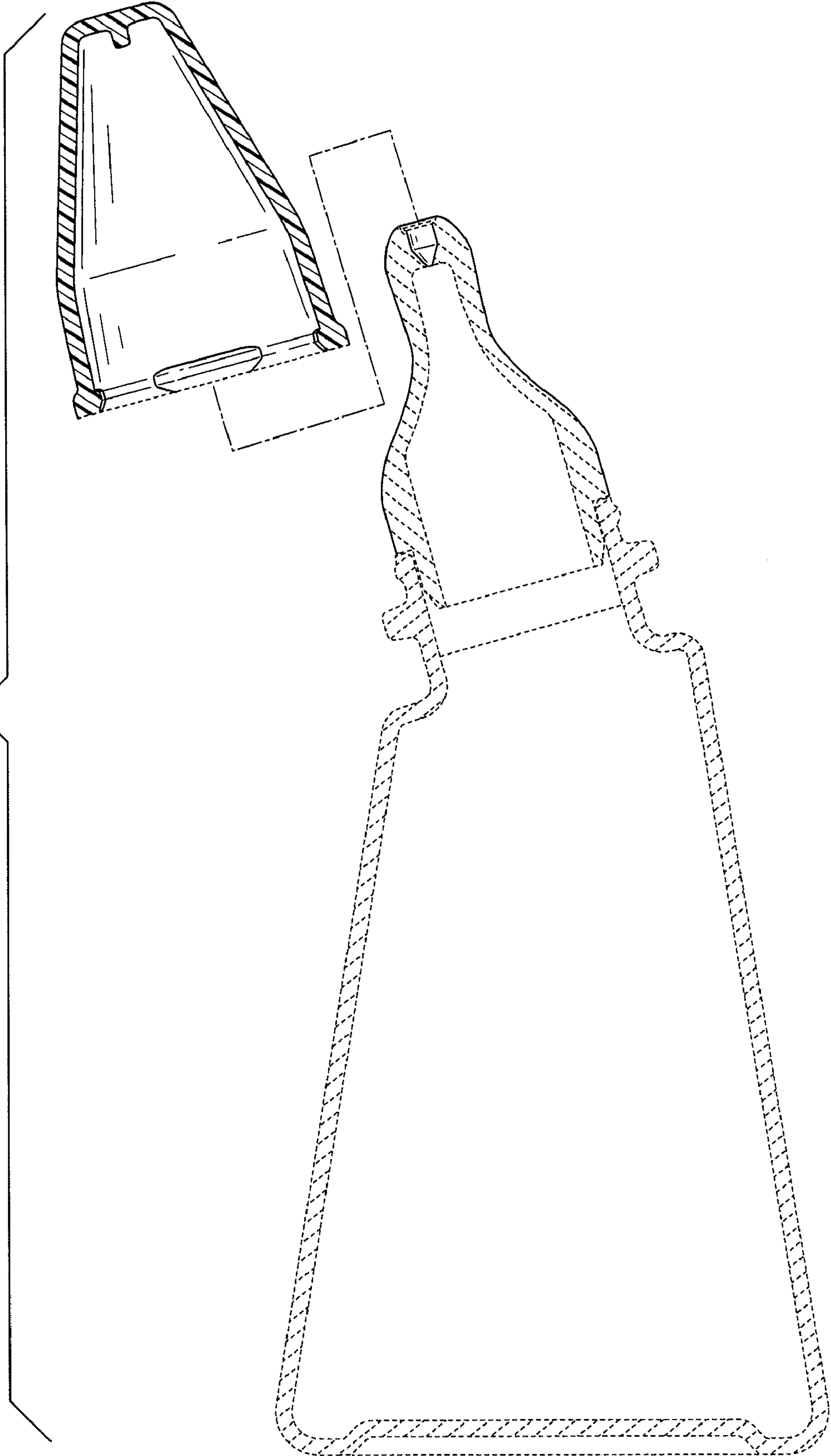


FIG. 9



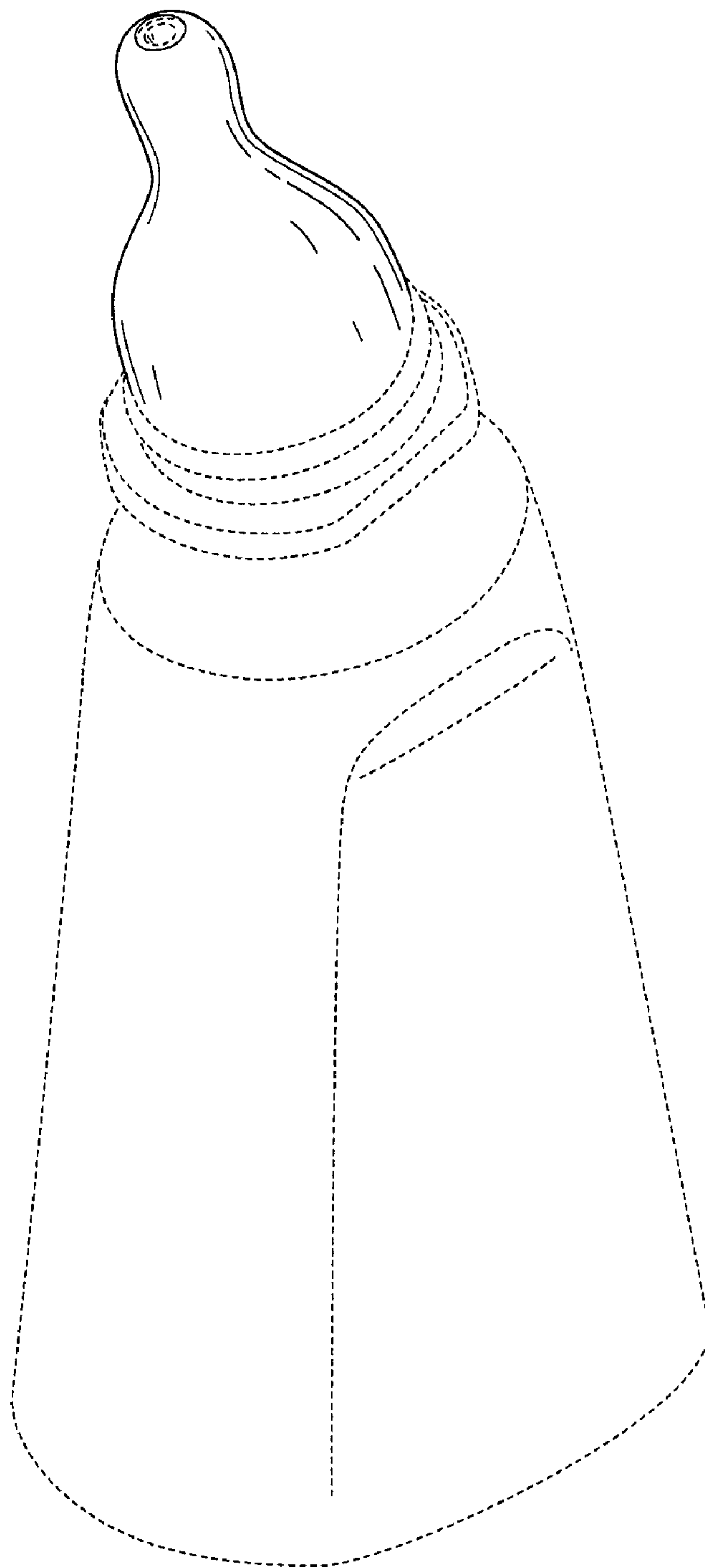


FIG. 10

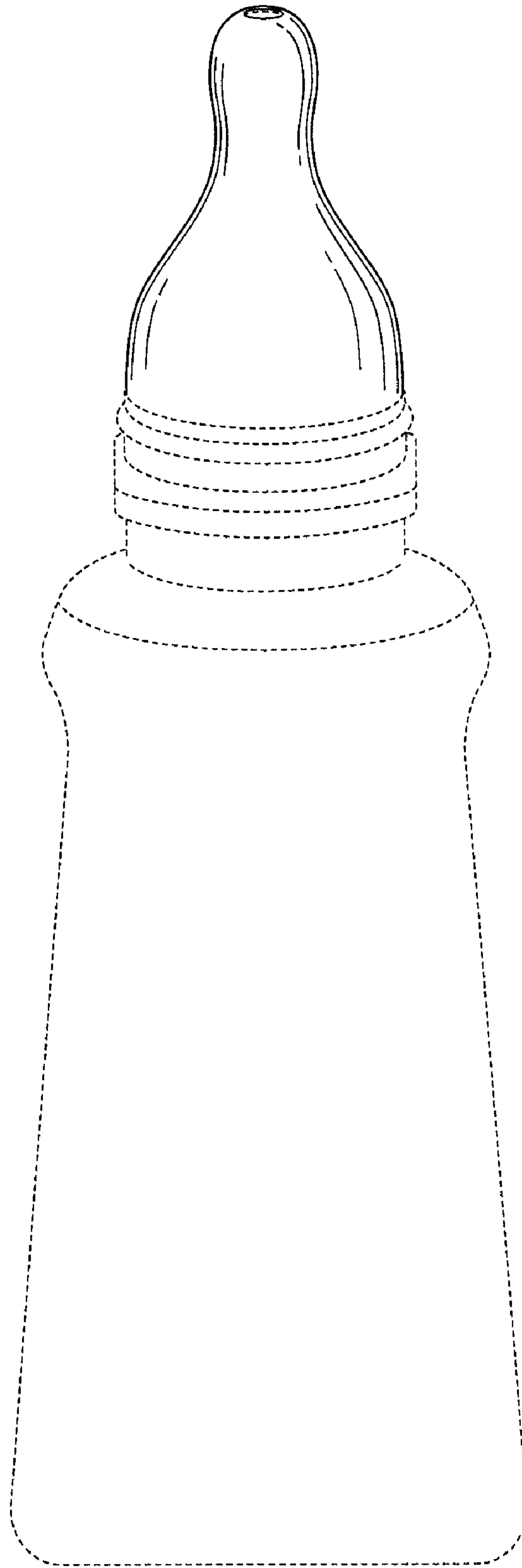


FIG. 11

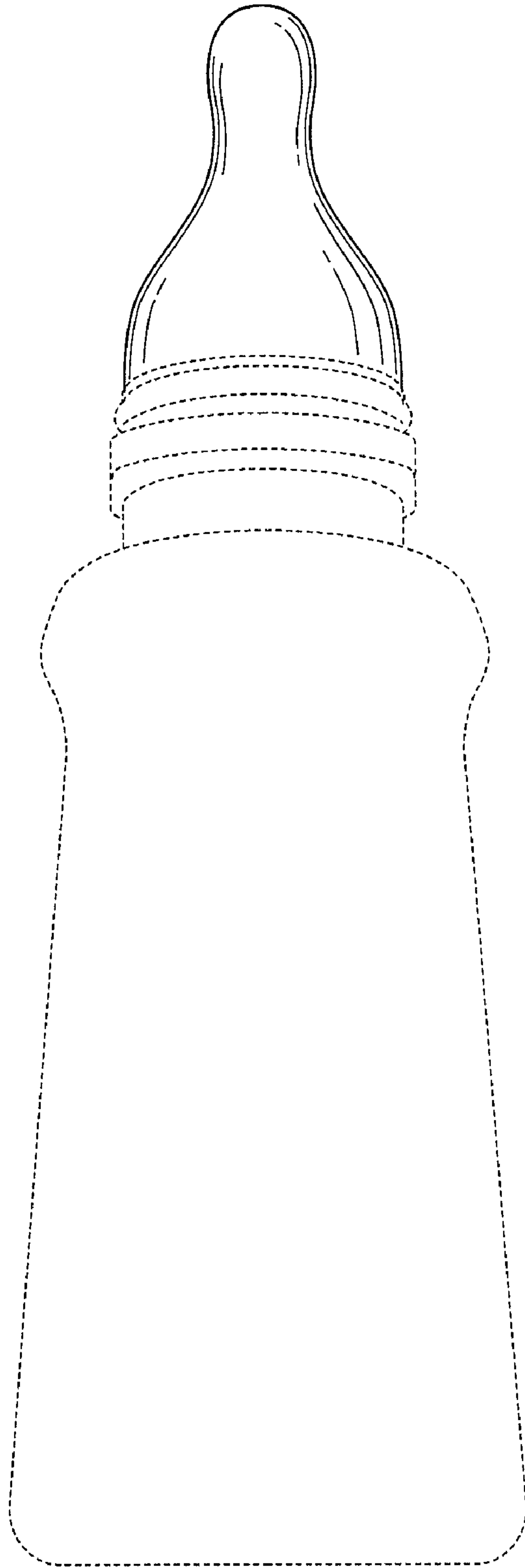


FIG. 12

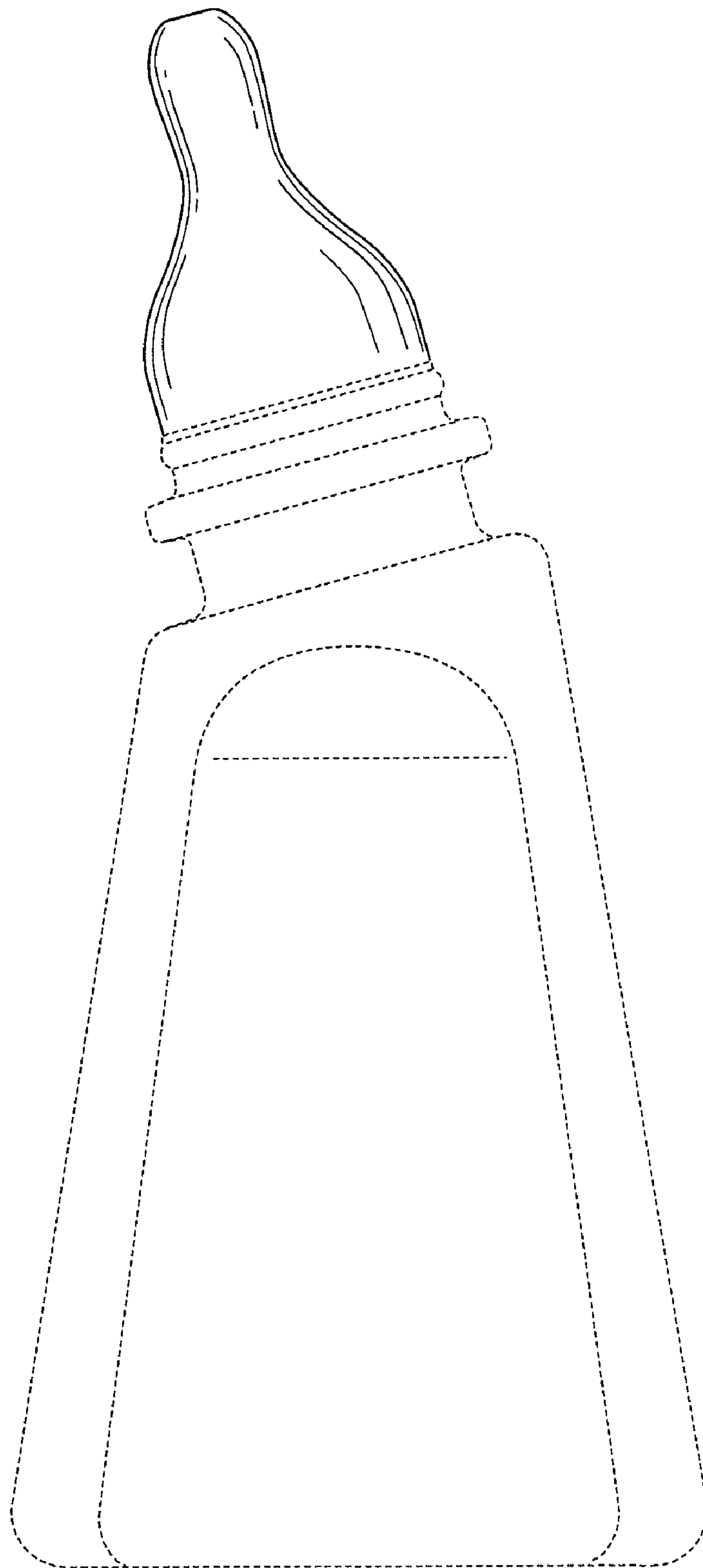


FIG. 13

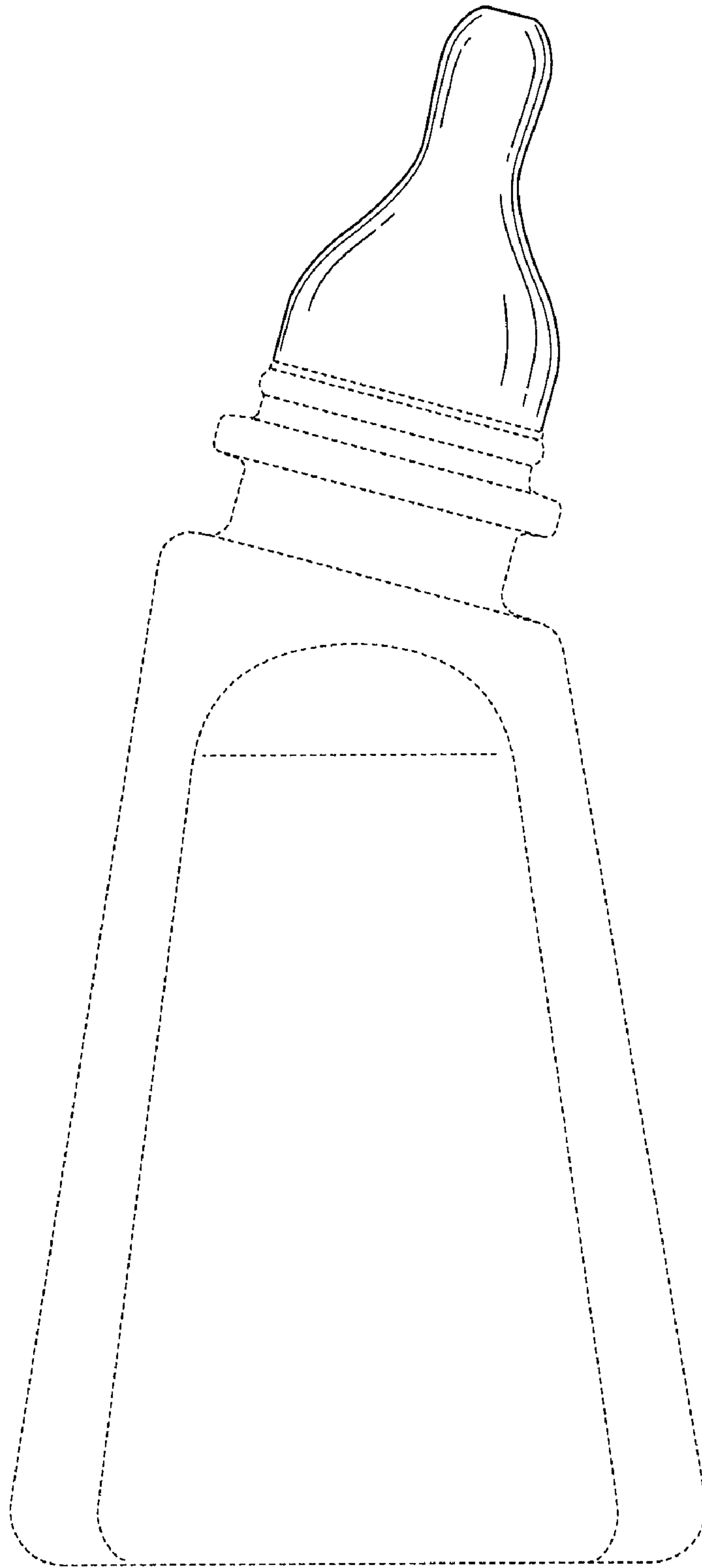


FIG. 14

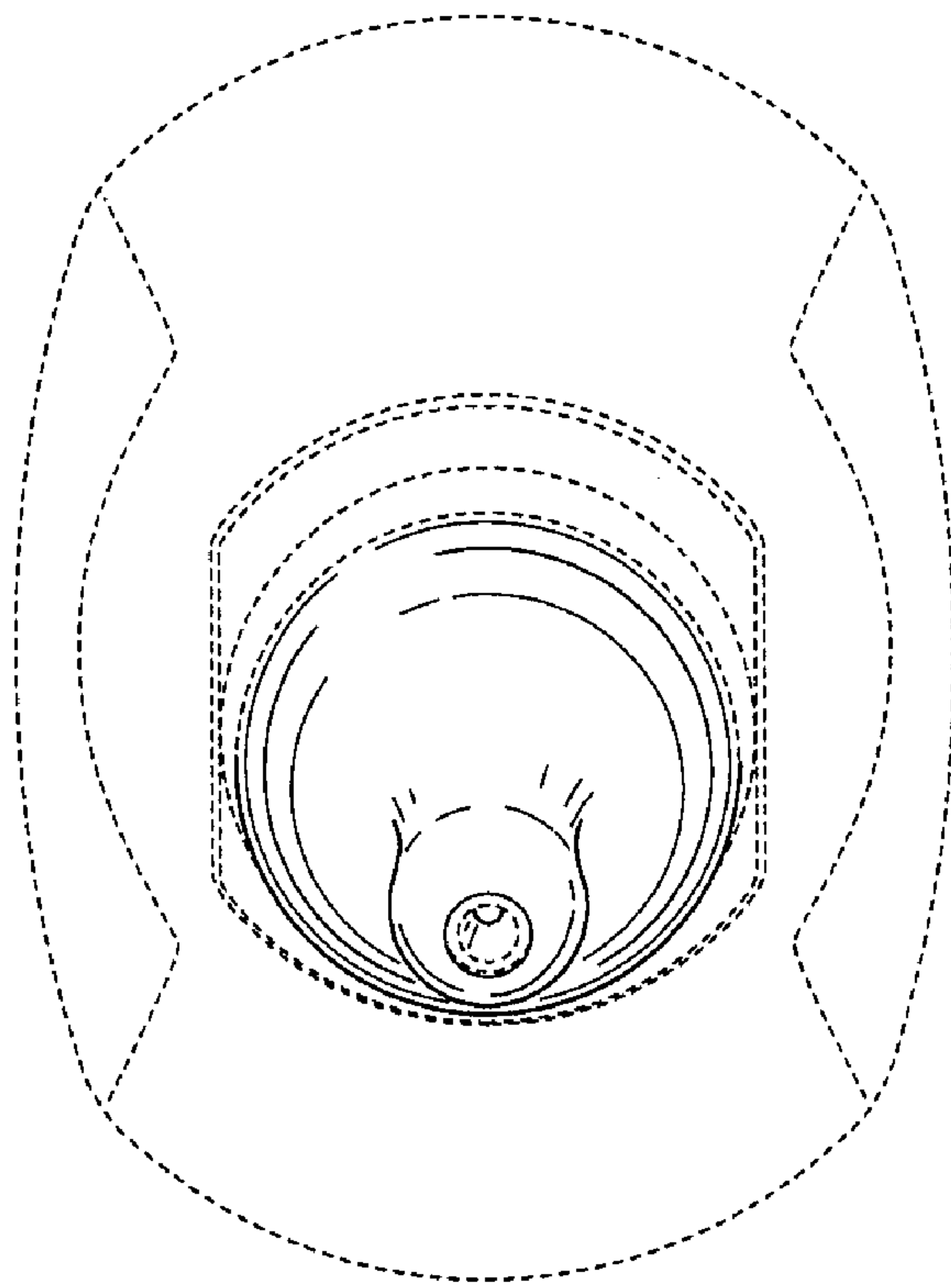


FIG. 15