



US00D597210S

(12) **United States Design Patent**
Hirabayashi

(10) **Patent No.:** **US D597,210 S**
(45) **Date of Patent:** **** Jul. 28, 2009**

- (54) **MAMMOGRAPHY EQUIPMENT**
- (75) Inventor: **Katsumi Hirabayashi**, Tokyo (JP)
- (73) Assignee: **Fujifilm Corporation**, Tokyo (JP)
- (**) Term: **14 Years**
- (21) Appl. No.: **29/318,349**
- (22) Filed: **May 19, 2008**
- (51) **LOC (9) Cl.** **24-01**
- (52) **U.S. Cl.** **D24/158**
- (58) **Field of Classification Search** D24/158-161,
D24/183, 186; 378/4, 15, 17, 19, 20, 21-27,
378/38-40, 102, 146, 195, 197, 198, 37,
378/208; 600/409, 410, 425, 476; 128/915
See application file for complete search history.

(56) **References Cited**
U.S. PATENT DOCUMENTS

4,943,986	A *	7/1990	Barbarisi	378/37
D315,207	S *	3/1991	Korvenmaa	D24/158
5,029,193	A *	7/1991	Saffer	378/37
D331,110	S *	11/1992	Virta et al.	D24/158
5,851,180	A *	12/1998	Crosby et al.	378/37
D563,553	S *	3/2008	Saito et al.	D24/158
7,469,031	B2 *	12/2008	Hyvarinen et al.	378/37

2006/0241423 A1* 10/2006 Anderson et al. 600/437
2007/0183566 A1* 8/2007 Tsujita et al. 378/37

* cited by examiner

Primary Examiner—T. Chase Nelson
Assistant Examiner—Anhdao Doan
(74) *Attorney, Agent, or Firm*—Young & Thompson

(57) **CLAIM**

The ornamental design for a mammography equipment, as shown and described.

DESCRIPTION

FIG. 1 is a top, front and side perspective view of a mammography equipment showing my new design;
FIG. 2 is a front elevational view thereof;
FIG. 3 is a top plan view thereof;
FIG. 4 is a bottom plan view thereof;
FIG. 5 is a left side elevational view thereof; and,
FIG. 6 is a partially magnified perspective view.
The portions of the mammography equipment in broken lines are shown for illustrative purposes only and form no part of the claimed design.

1 Claim, 6 Drawing Sheets

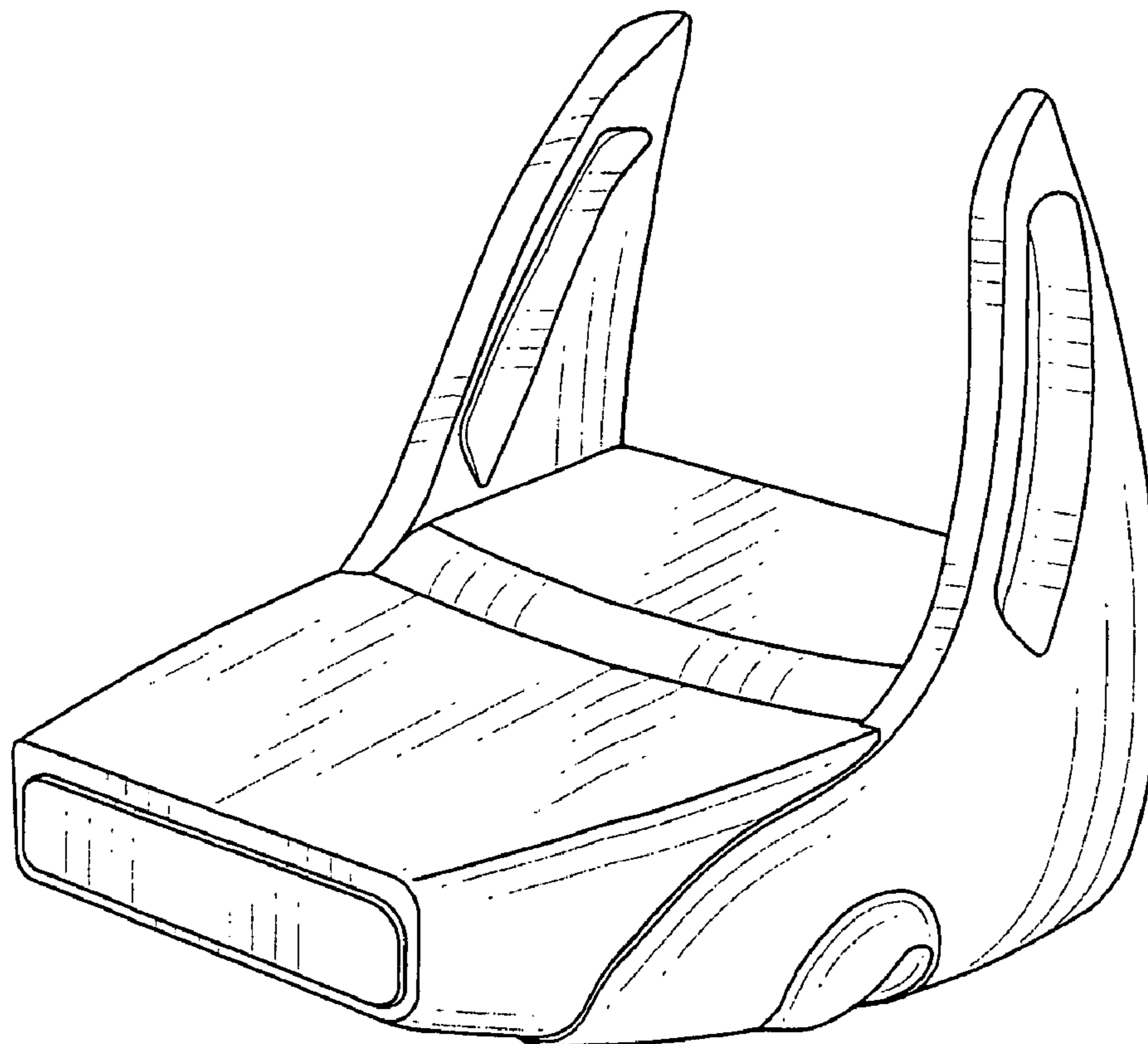


FIG. 1

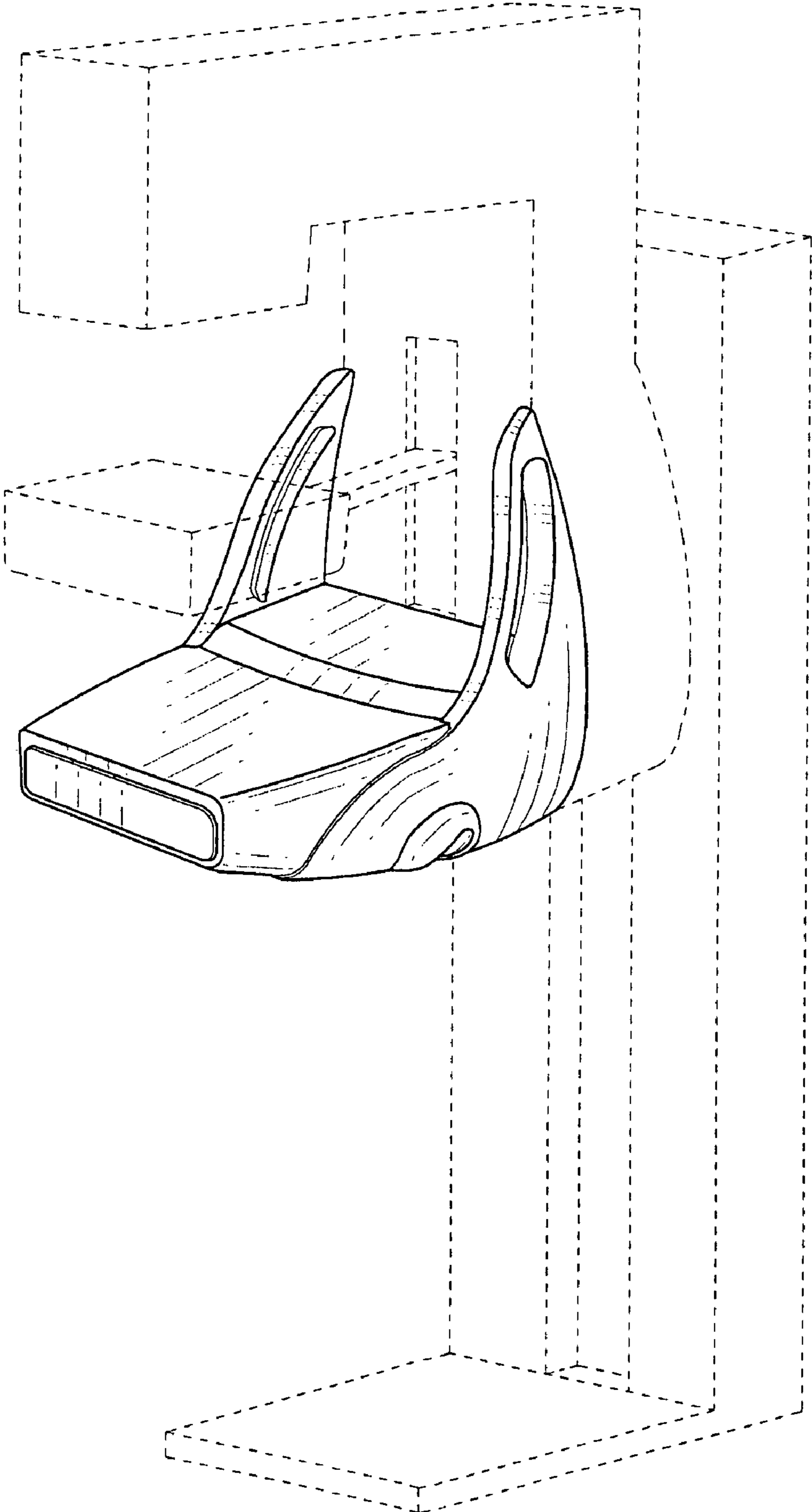


FIG.2

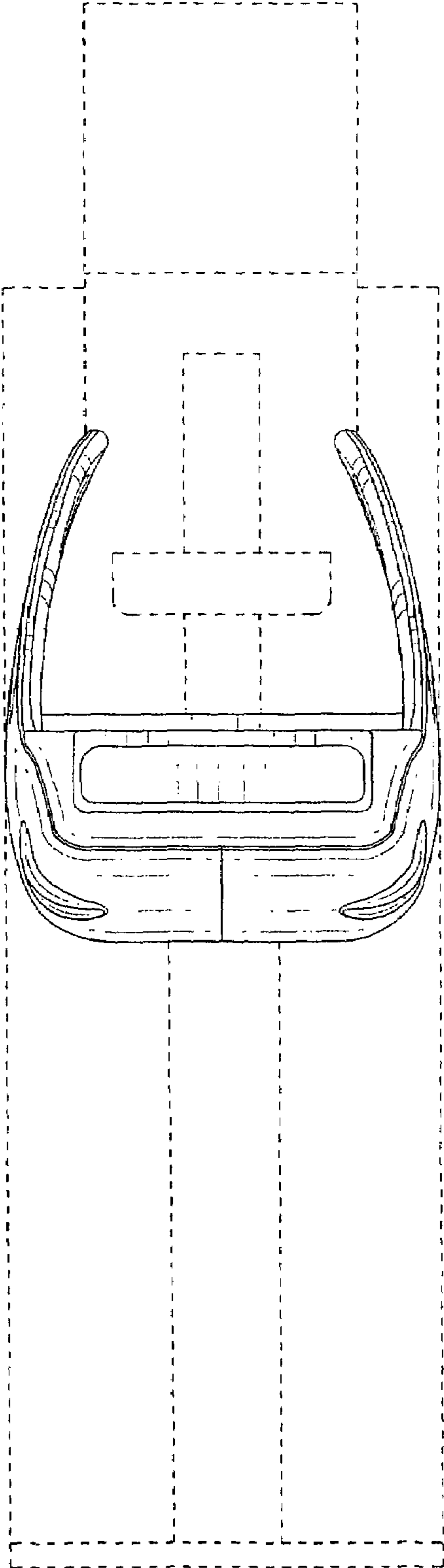


FIG. 3

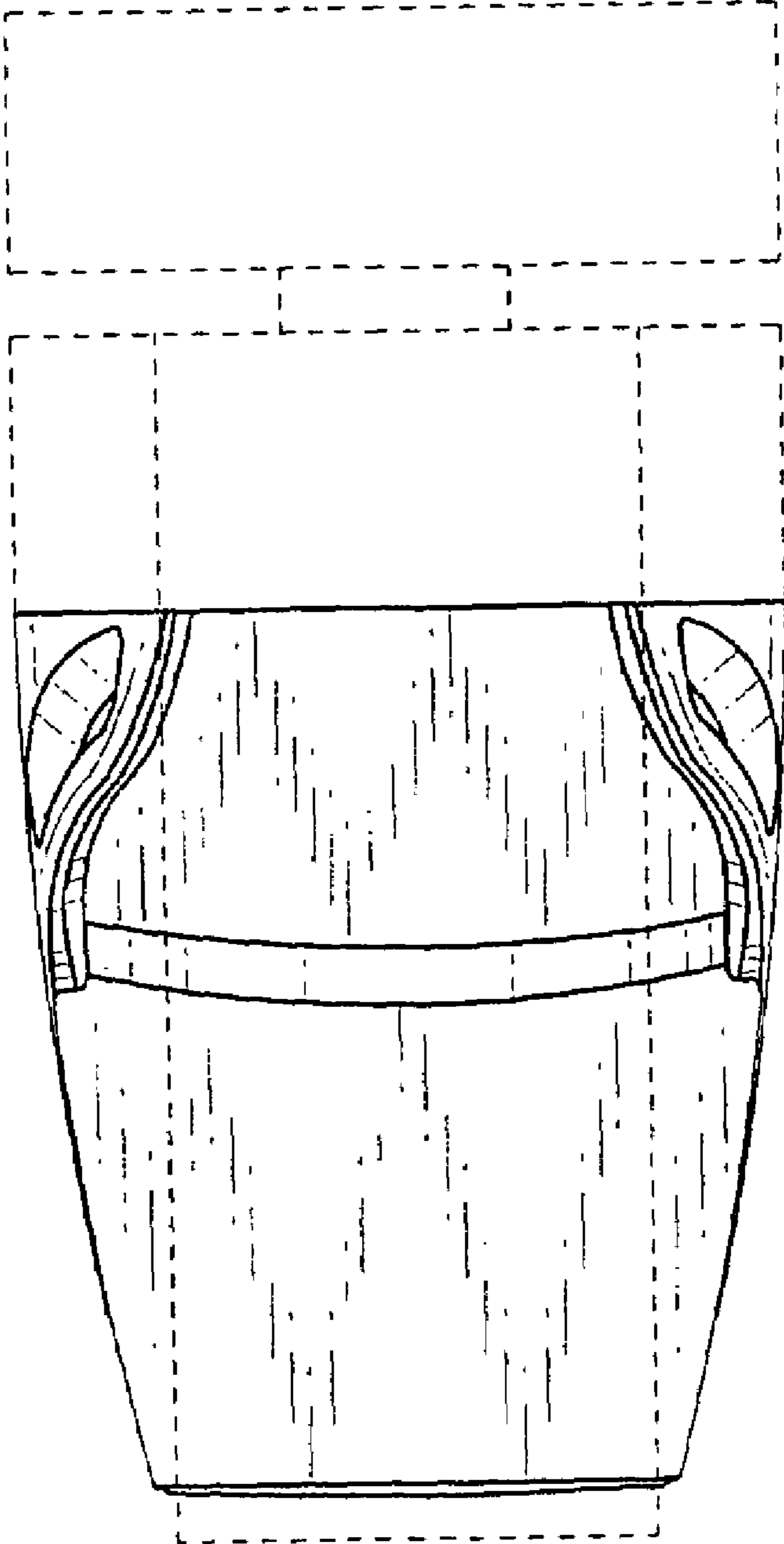


FIG. 4

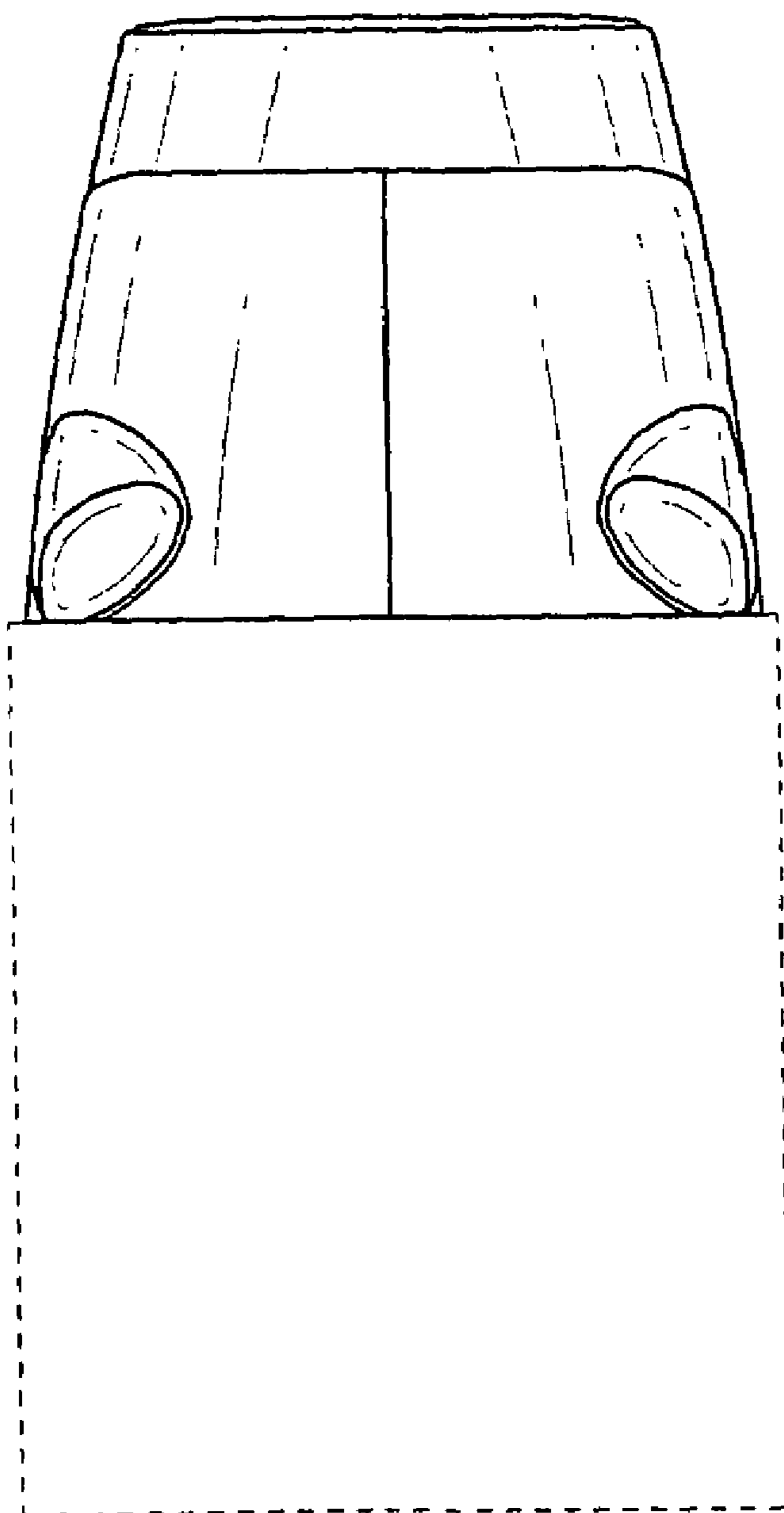


FIG. 5

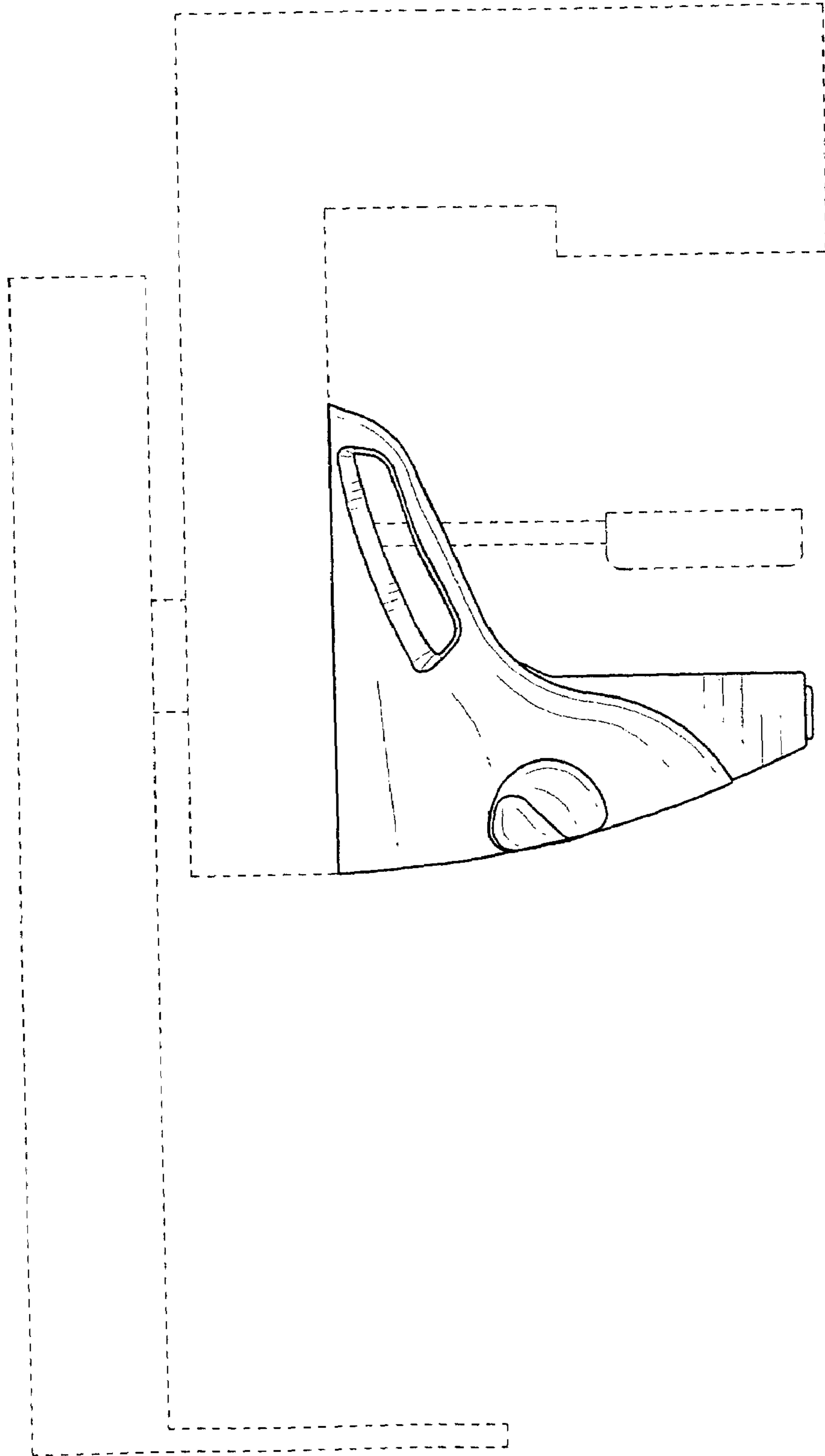


FIG.6

