



US00D597206S

(12) **United States Design Patent**  
**Collins, Jr. et al.**

(10) **Patent No.:** **US D597,206 S**  
(45) **Date of Patent:** **\*\* Jul. 28, 2009**

(54) **OPHTHALMIC MISTING DEVICE**

(75) Inventors: **James F. Collins, Jr.**, Long Island, NY (US); **Michael Joseph Jobin**, Boston, MA (US); **Alexander Kirby Tee**, Somerville, MA (US); **Carl William Betterley**, Boston, MA (US); **Evan Isaac Timerding Gant**, Medford, MA (US); **Matthew Ian Williams**, Broadview Heights, OH (US)

(73) Assignee: **Optimyst Systems, Inc.**, West Islip, NY (US)

(\*\*) Term: **14 Years**

(21) Appl. No.: **29/272,778**

(22) Filed: **Feb. 16, 2007**

(51) **LOC (9) Cl.** ..... **24-02**

(52) **U.S. Cl.** ..... **D24/150; D24/108; D24/115; D24/133; D9/448**

(58) **Field of Classification Search** ..... **D24/110, D24/115, 120, 113, 172, 150, 108, 133; D9/448, D9/682, 685; 604/300-302, 294-296, 298, 604/299, 24; 222/383.1, 212, 523, 525, 206; 239/101, 102.2; 424/78.04**

See application file for complete search history.

(56) **References Cited**

**U.S. PATENT DOCUMENTS**

2,189,643 A 2/1940 Ward  
3,170,462 A 2/1965 Hall  
3,314,426 A 4/1967 Carroll

(Continued)

**FOREIGN PATENT DOCUMENTS**

EP 0 823 246 11/1998  
WO WO 02/055131 7/2002  
WO WO 03/002045 1/2003

WO WO 03002265 1/2003  
WO WO 2004/103478 12/2004

*Primary Examiner*—Ian Simmons  
*Assistant Examiner*—Christopher Lee  
(74) *Attorney, Agent, or Firm*—RatnerPrestia

(57) **CLAIM**

The ornamental design for an ophthalmic misting device, substantially as shown and described.

**DESCRIPTION**

FIG. 1 is a front perspective view of an ophthalmic misting device according to our new design;

FIG. 2 is a rear perspective view of the ophthalmic misting device shown in FIG. 1;

FIG. 3 is a front view of the ophthalmic misting device shown in FIG. 1;

FIG. 4 is a left side view of the ophthalmic misting device shown in FIG. 1, with the right side view being a mirror image thereof;

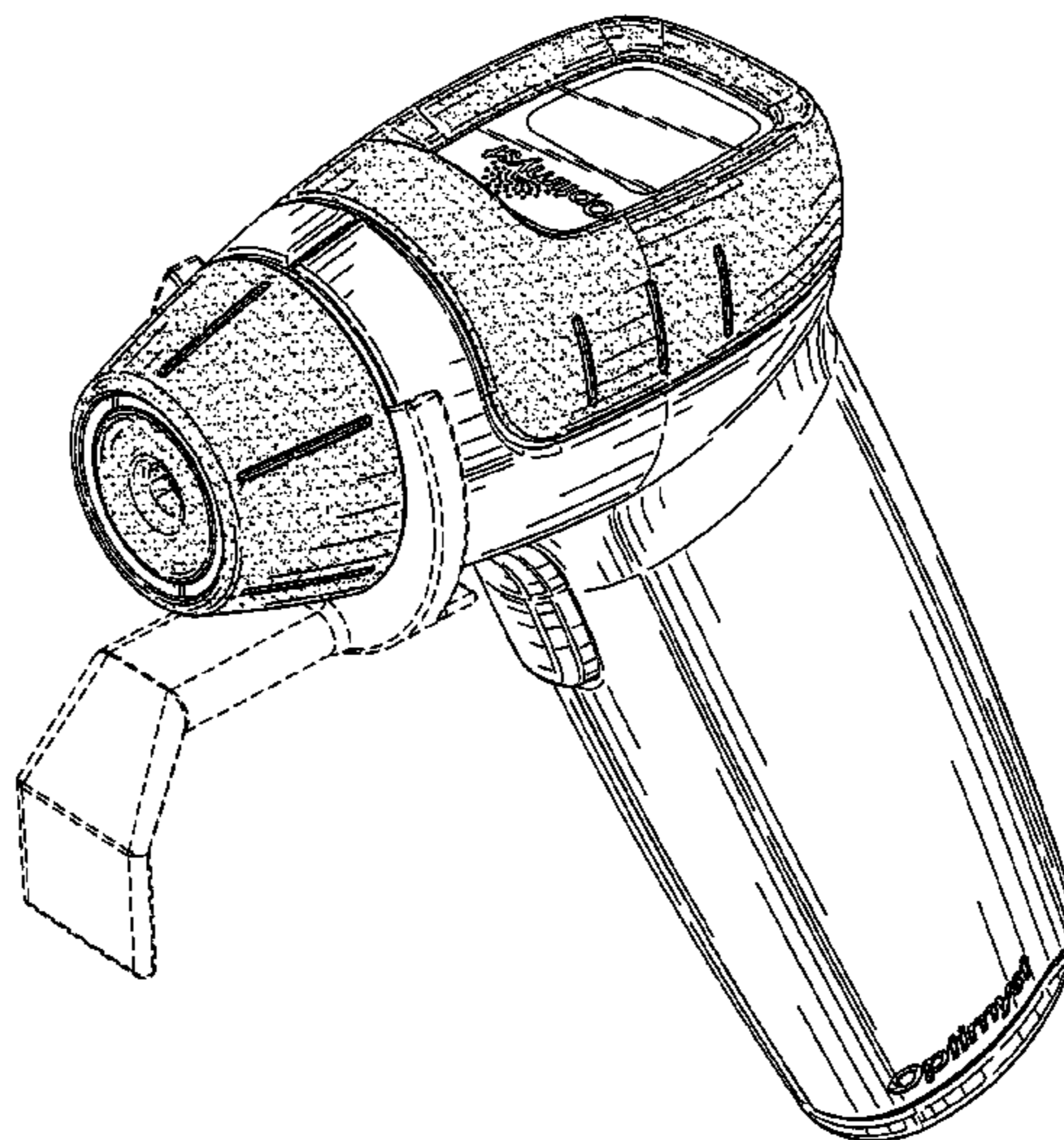
FIG. 5 is a rear view of the ophthalmic misting device shown in FIG. 1;

FIG. 6 is a top view of the ophthalmic misting device shown in FIG. 1; and,

FIG. 7 is a bottom view of the ophthalmic misting device shown in FIG. 1.

A characteristic feature of the design resides in the ophthalmic misting device having portions of different colors. This feature is illustrated by portions shown with a stippling pattern, and remaining portions shown without any stippling pattern. The portions with the stippling pattern and the remaining portions without any stippling pattern are different colors from each other. The drawing is not lined for color, and the design is not limited to any color or color combination. Shown in broken lines, the spacer bar does not form part of the design.

**1 Claim, 5 Drawing Sheets**



# US D597,206 S

Page 2

---

U.S. PATENT DOCUMENTS								
3,439,674	A *	4/1969	Lelicoff .....	604/302	6,254,579 B1	7/2001	Cogger et al.	
3,602,399	A	8/1971	Litman et al.		6,273,342 B1	8/2001	Terada et al.	
4,471,890	A	9/1984	Dougherty		6,336,917 B1	1/2002	Berke	
4,493,119	A	1/1985	Baumann		6,467,476 B1	10/2002	Ivri et al.	
4,543,096	A	9/1985	Keene		6,543,443 B1	4/2003	Klimowicz et al.	
4,641,384	A	2/1987	Landsberger et al.		6,550,472 B2	4/2003	Litherland et al.	
4,679,551	A	7/1987	Anthony		6,569,131 B1	5/2003	Michael et al.	
5,007,905	A	4/1991	Bauer		6,615,824 B2	9/2003	Power	
5,030,214	A	7/1991	Spector		6,676,034 B2	1/2004	Tanaka et al.	
5,069,675	A *	12/1991	Menchel et al. ....	604/295	6,679,436 B1	1/2004	Onishi et al.	
5,193,745	A	3/1993	Holm		6,863,224 B2	3/2005	Terada et al.	
5,201,726	A *	4/1993	Kirkham .....	604/294	6,901,926 B2	6/2005	Yamamoto et al.	
D368,774	S	4/1996	Py		6,978,945 B2	12/2005	Wong et al.	
D374,719	S	10/1996	Py		D533,658 S *	12/2006	Collins et al. .... D24/115	
5,588,564	A *	12/1996	Hutson et al. ....	222/383.1	D537,160 S *	2/2007	Lowell .....	D24/115
5,665,079	A *	9/1997	Stahl .....	604/298	2002/0016576	A1	2/2002	Lee
D413,668	S *	9/1999	Mannberg et al. ....	D24/120	2002/0074362	A1	6/2002	Py et al.
5,970,974	A	10/1999	Van Der Linden et al.		2007/0119968	A1 *	5/2007	Collins et al. .... 239/102.1

\* cited by examiner

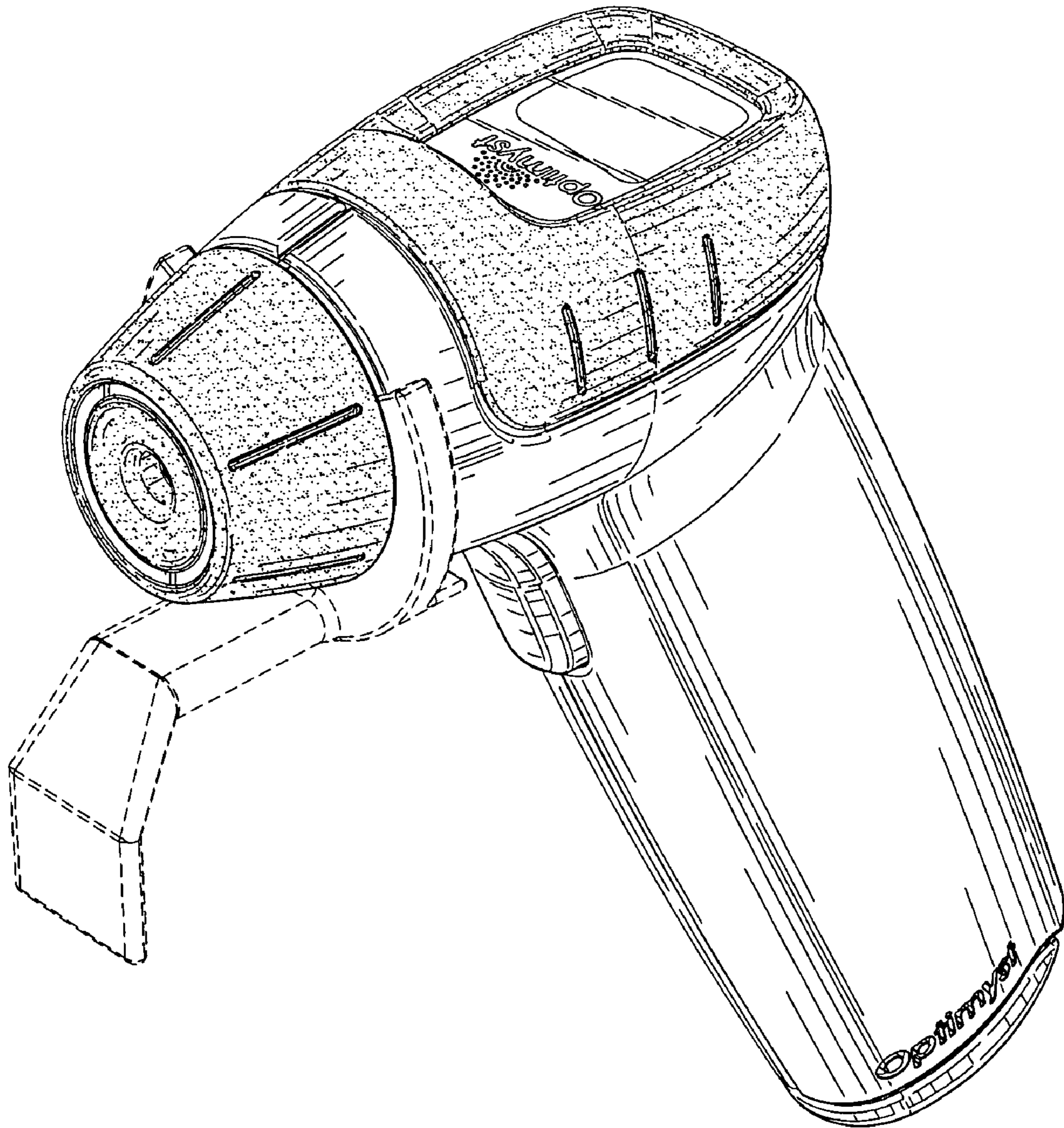


FIG. 1



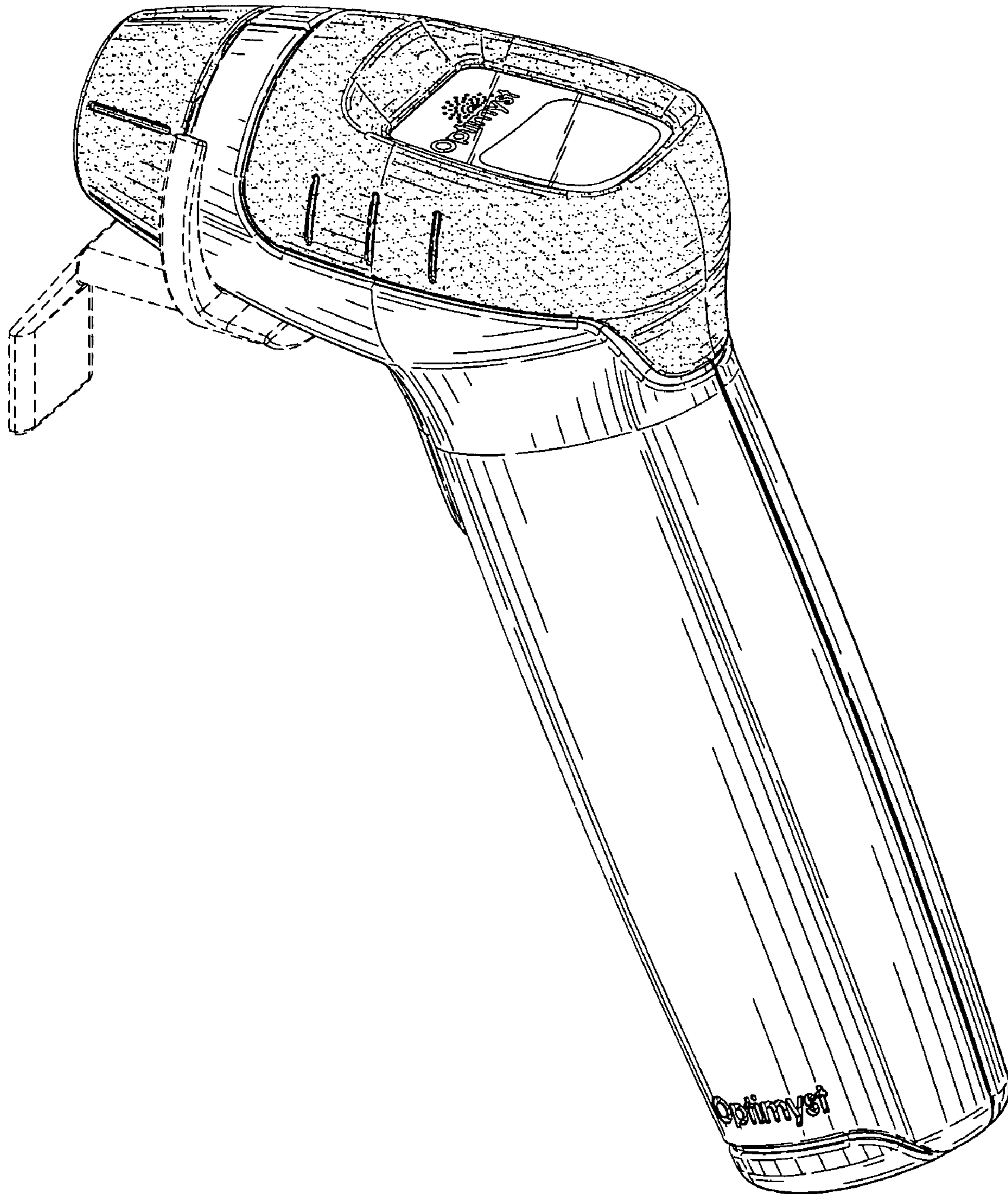


FIG. 2

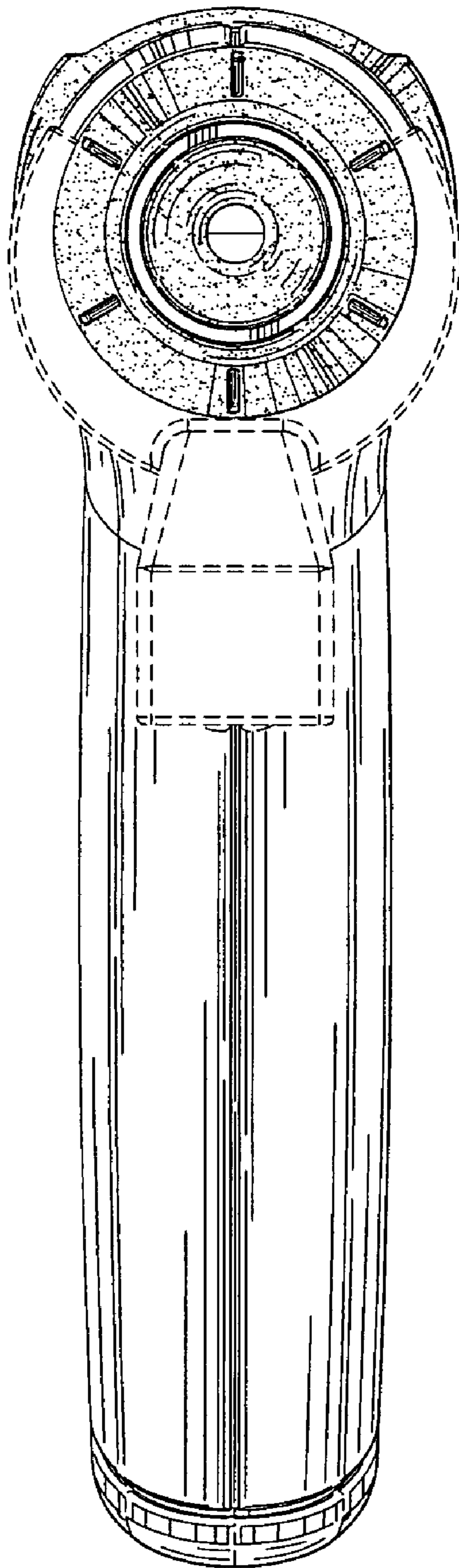


FIG. 3

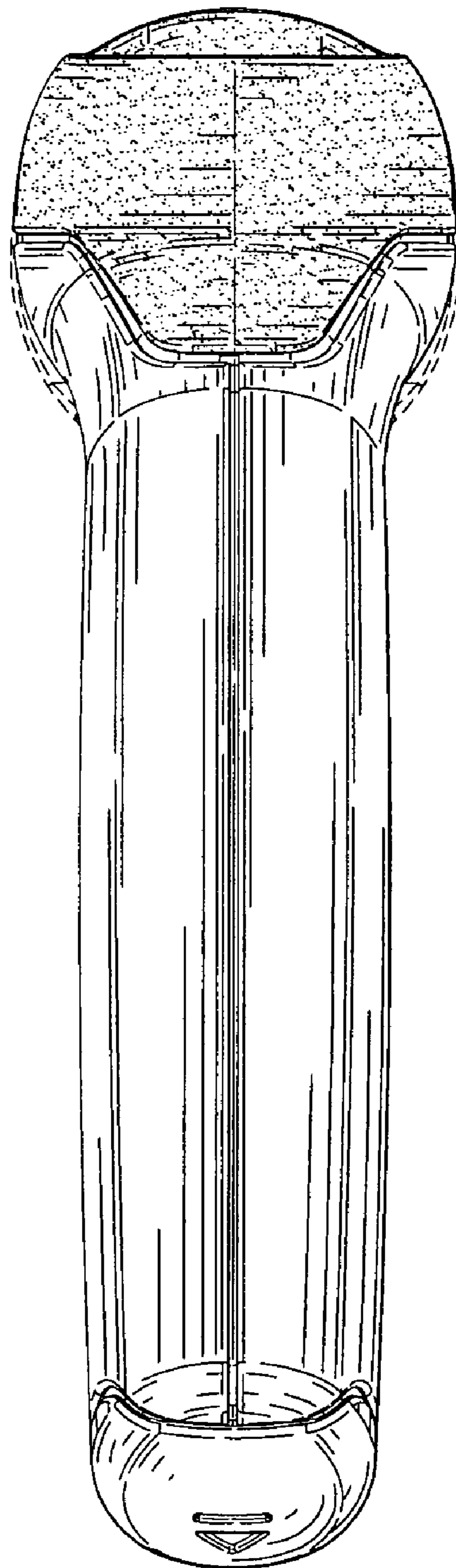


FIG. 5

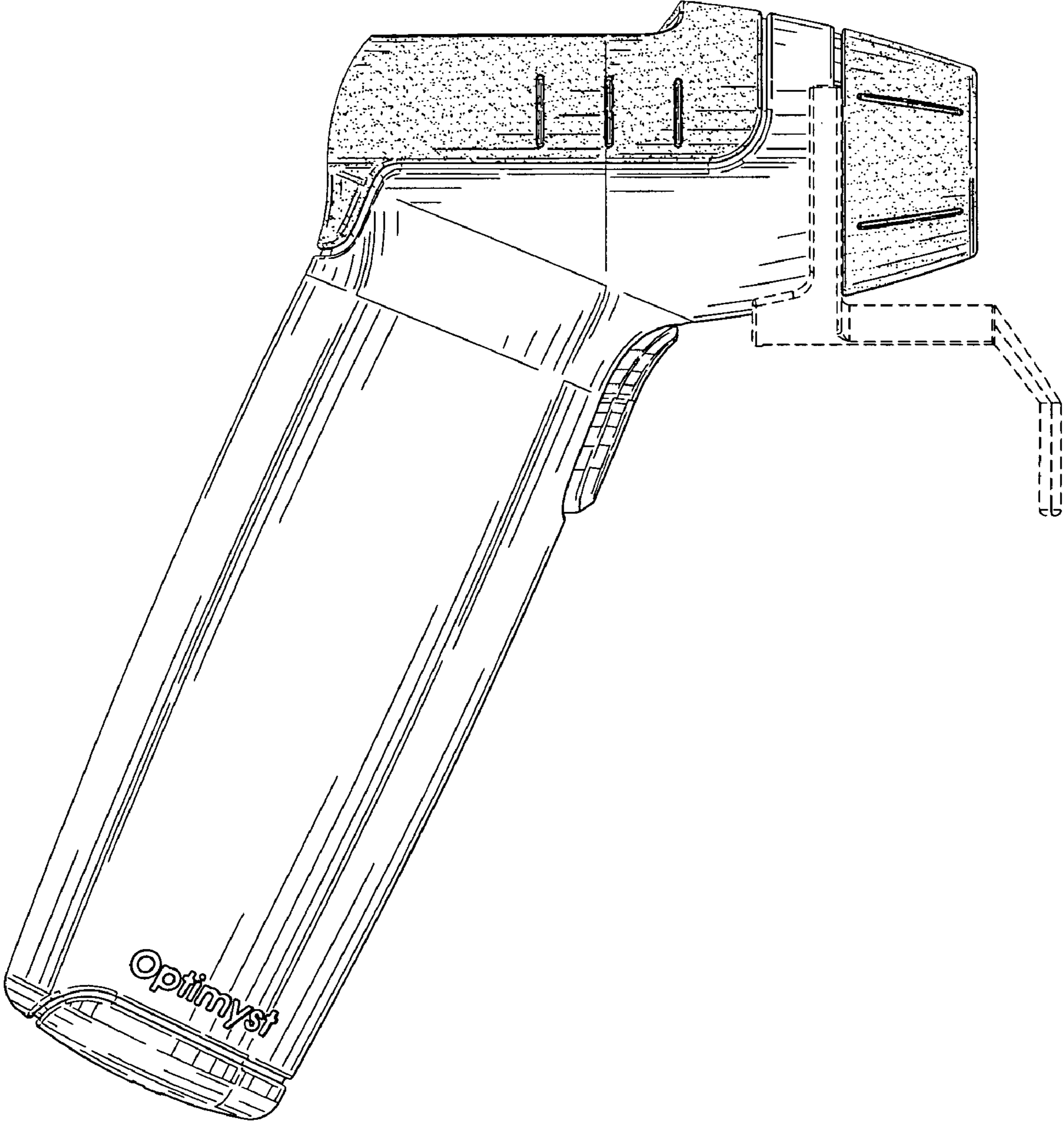


FIG. 4



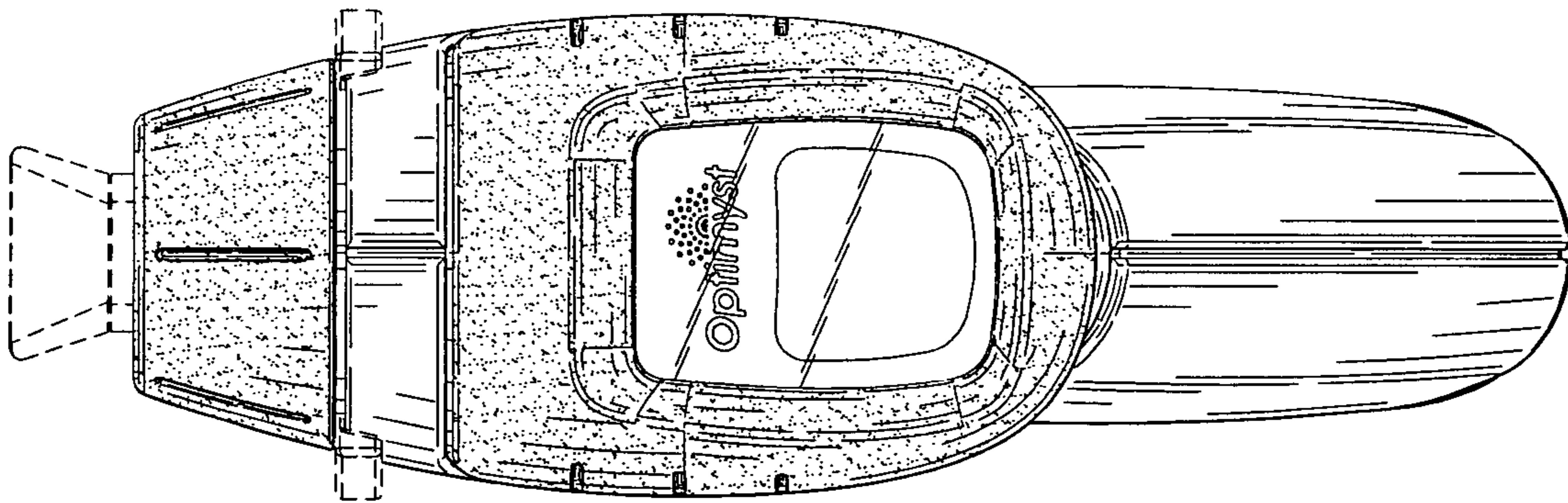


FIG. 6

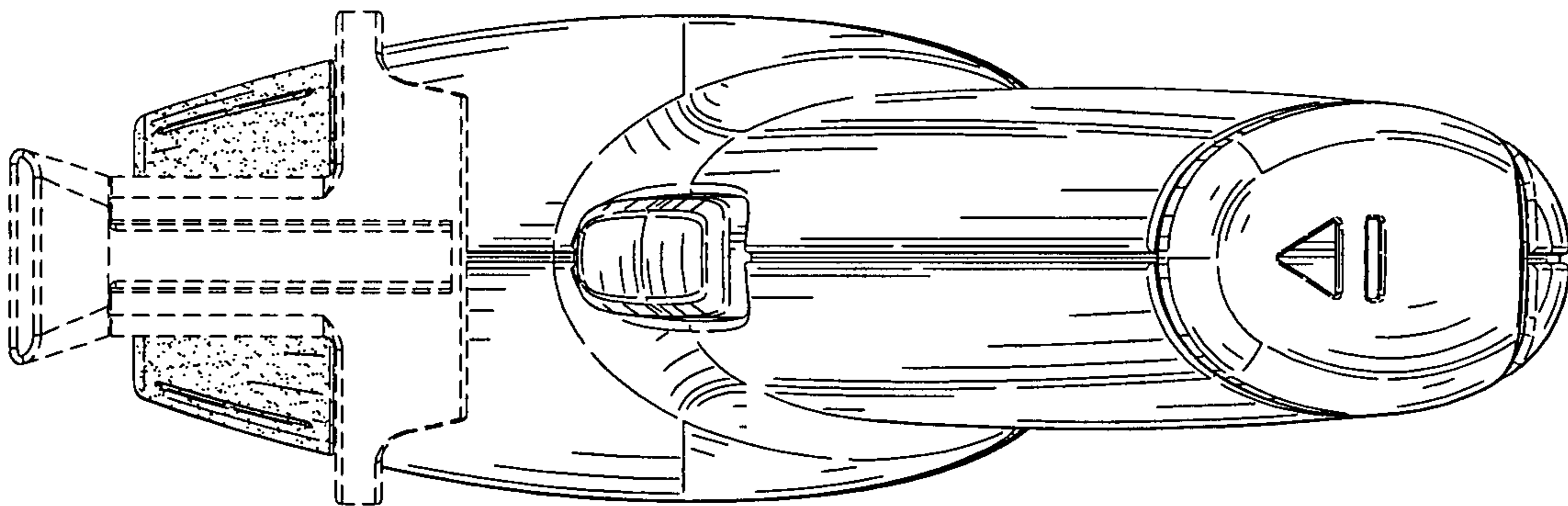


FIG. 7