



US00D597205S

(12) **United States Design Patent**
Koch

(10) **Patent No.:** **US D597,205 S**
(45) **Date of Patent:** **** Jul. 28, 2009**

(54) **HANDLE FOR ENDOSCOPE STIFFENING DEVICE**

(75) Inventor: **Drake Lansdon Koch**, Kansas City, MO (US)

(73) Assignee: **Zutron Medical, L.L.C.**, Kansas City, MO (US)

(**) Term: **14 Years**

(21) Appl. No.: **29/322,361**

(22) Filed: **Aug. 1, 2008**

Related U.S. Application Data

(63) Continuation of application No. 11/159,566, filed on Jun. 22, 2005, which is a continuation-in-part of application No. 11/021,524, filed on Dec. 22, 2004, now abandoned.

(51) **LOC (9) Cl.** **24-02**

(52) **U.S. Cl.** **D24/133**

(58) **Field of Classification Search** D24/133, D24/138; 606/108, 46; D8/300; 600/434, 600/585; 604/95.01, 159, 528, 171, 164.13; 220/796; 204/418; 242/388.6; D21/488

See application file for complete search history.

(56) **References Cited**

U.S. PATENT DOCUMENTS

1,440,046	A *	12/1922	Ziplinsky	220/796
3,561,445	A *	2/1971	Katerndahl et al.	604/159
4,054,128	A	10/1977	Seufert et al.	128/4
4,345,602	A	8/1982	Yoshimura et al.	128/349
4,686,963	A	8/1987	Cohen et al.	128/4
4,694,826	A *	9/1987	Chester	606/108
4,928,669	A	5/1990	Sullivan	128/4
4,934,340	A	6/1990	Ebling et al.	128/6

(Continued)

OTHER PUBLICATIONS

“Innovations”, *EndoNurse* (Jul. 1, 2002), as printed from <http://www.endonurse.com/articles/271innov.html> on Feb. 13, 2008 (3 pgs).

(Continued)

Primary Examiner—Ian Simmons

Assistant Examiner—Anna J Burmeister

(74) *Attorney, Agent, or Firm*—The Eclipse Group LLP; Kevin E. Flynn

(57) **CLAIM**

The ornamental design for a handle for endoscope stiffening device, as shown and described.

DESCRIPTION

FIG. 1 is a top and side perspective view of a handle for endoscope stiffening device, showing my new design;

FIG. 2 is a top and side perspective view of a handle for endoscope stiffening device;

FIG. 3 is a top and side perspective view thereof, shown rotated 180 degrees;

FIG. 4 is a top and side perspective view thereof, shown rotated 90 degrees;

FIG. 5 is a top and side perspective view thereof, shown rotated 180 degrees;

FIG. 6 is a top plan view thereof;

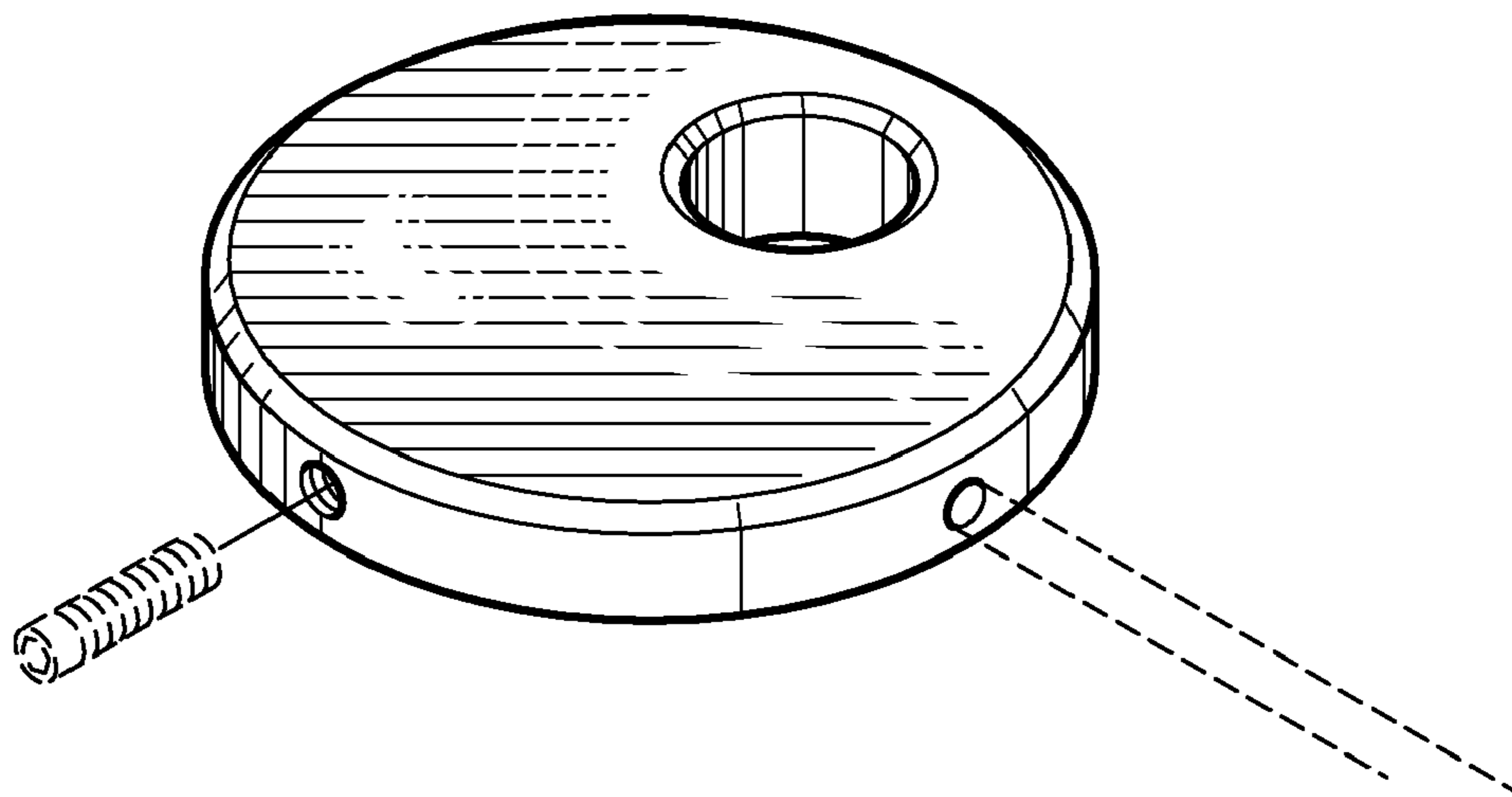
FIG. 7 is a bottom plan view thereof;

FIG. 8 is a side elevational view thereof; and,

FIG. 9 is a side elevational view thereof, shown rotated 180 degrees.

The broken lines shown in the FIG. 1 drawing view are for environmental purposes only and form no part of the claimed design.

1 Claim, 2 Drawing Sheets



US D597,205 S

Page 2

U.S. PATENT DOCUMENTS

4,991,602	A	2/1991	Amplatz et al.	128/772
5,125,905	A *	6/1992	Wright et al.	604/171
5,294,325	A *	3/1994	Liu	204/418
5,318,541	A *	6/1994	Viera et al.	604/159
5,345,937	A	9/1994	Middleman et al.	128/657
5,368,049	A	11/1994	Raman et al.	128/772
5,501,654	A	3/1996	Failla et al.	600/204
5,524,635	A *	6/1996	Uflacker et al.	600/585
D371,958	S *	7/1996	Keaton	D8/374
5,531,685	A	7/1996	Hemmer et al.	604/95
5,533,967	A	7/1996	Imran	604/95
5,545,200	A	8/1996	West et al.	607/122
5,593,405	A	1/1997	Osypka	606/15
5,597,378	A	1/1997	Jervis	606/78
D381,419	S *	7/1997	Musgrave et al.	D24/112
5,656,011	A	8/1997	Uihlein et al.	600/146
5,666,970	A	9/1997	Smith	
5,681,344	A	10/1997	Kelly	606/194
5,707,363	A *	1/1998	Crawford et al.	604/164.13
5,782,747	A	7/1998	Zimmon	600/104
5,810,835	A *	9/1998	Ryan et al.	606/108
5,873,817	A	2/1999	Kokish et al.	600/143
5,876,450	A	3/1999	Johlin, Jr.	623/12
5,908,381	A	6/1999	Aznoian et al.	600/104
5,921,915	A	7/1999	Aznoian et al.	600/104
5,941,815	A	8/1999	Chang	600/114
5,989,230	A	11/1999	Frassica	604/264
6,030,349	A	2/2000	Wilson et al.	
6,033,378	A *	3/2000	Lundquist et al.	604/95.01
6,042,553	A	3/2000	Solar et al.	600/585
6,086,008	A *	7/2000	Gray et al.	242/388.6
6,168,571	B1	1/2001	Solar et al.	600/585
6,179,776	B1	1/2001	Adams et al.	600/121
6,183,435	B1 *	2/2001	Bumbalough et al.	604/95.01
6,379,334	B1	4/2002	Frassica	604/165.04
6,400,980	B1	6/2002	Lemelson	600/478
6,468,203	B2	10/2002	Belson	600/146
6,517,477	B1	2/2003	Wendlandt	600/114
6,699,179	B2	3/2004	Wendlandt	600/114
6,733,473	B1	5/2004	Reifart et al.	604/96.01
6,749,560	B1	6/2004	Konstorum et al.	600/143
6,761,685	B2	7/2004	Adams et al.	600/121
6,953,431	B2	10/2005	Barthel	600/116
6,974,411	B2	12/2005	Belson	600/114
D533,939	S *	12/2006	Root et al.	D24/138
D534,276	S *	12/2006	Michel	D24/138
D549,327	S *	8/2007	Aparici et al.	D24/133
D550,783	S *	9/2007	Glickman	D21/488
D551,762	S *	9/2007	Root et al.	D24/133
D581,052	S *	11/2008	Root et al.	D24/138
2001/0000040	A1	3/2001	Adams et al.	600/121
2002/0120178	A1	8/2002	Tartaglia et al.	600/114

2003/0032859	A1	2/2003	Belson	600/114
2003/0060680	A1	3/2003	Wendlandt	600/114
2003/0212333	A1	11/2003	Rabiner et al.	600/462
2004/0015052	A1	1/2004	Barthel	600/116
2004/0111009	A1	6/2004	Adams et al.	600/114
2004/0138525	A1	7/2004	Saadat et al.	600/104
2004/0138529	A1	7/2004	Wiltshire et al.	600/144
2004/0143159	A1	7/2004	Wendlandt	600/114
2004/0186350	A1	9/2004	Brenneman et al.	600/146
2004/0199087	A1	10/2004	Swain et al.	600/585
2004/0199088	A1	10/2004	Bakos et al.	600/585
2004/0225183	A1	11/2004	Michlitsch et al.	600/106
2004/0242966	A1	12/2004	Barry et al.	600/146
2005/0027249	A1	2/2005	Reifart et al.	604/103.04
2005/0059890	A1	3/2005	Deal et al.	600/433
2005/0059990	A1	3/2005	Ayala et al.	606/192
2005/0065397	A1	3/2005	Saadat et al.	600/104
2005/0065401	A1	3/2005	Saadat et al.	600/114
2005/0070794	A1	3/2005	Deal et al.	600/434
2005/0070821	A1	3/2005	Deal et al.	600/585
2005/0080448	A1	4/2005	Kear et al.	606/200
2005/0107663	A1	5/2005	Saadat et al.	600/104
2005/0113640	A1	5/2005	Saadat et al.	600/106
2005/0143770	A1	6/2005	Carter et al.	606/170
2005/0209612	A1	9/2005	Nakao	606/144
2005/0234512	A1	10/2005	Nakao	606/232
2005/0250983	A1	11/2005	Tremaglio et al.	600/101

OTHER PUBLICATIONS

Waye et al., "Colonoscopy: Principles and Practice" (2003), Except printed from Google Books on Feb. 13, 2008, 8 pgs. (Cover, pp. 1, 13, 14, 15 and 20).

Two page set of photocopies of a steel wire device from before Dec. 22, 2004. (Wire held by tape to fit wire on copy machine. Neither the tape nor the quarter (included to provide scale) are part of this steel wire device).

510(k) Premarket Notification for Zutron Colonoscope Stiffening Device Submitted on behalf of Zutron Medical, LLC on Apr. 25, 2005 to FDA, Excerpts including: Cover, pp. 3, 4, 5, 6, 7, 8, 10, 11, Section 2: Testing; Section 4: Regulatory Information and Predicate Device Information including: Sullivan Variable Stiffness Cable; Medi-Globe® Stiffy Variable Stiffness Guide Wire for Endoscope Straightening; Olympus® Evis Exera Colonovideoscopes CF-Q160 AL/I and PCF-160 AL/I; Medi-Globe® GIP Guide Wire; Endo-Therapeutics Endo-Glide Guidewire; Olympus® innoflex™; and Paper styled "Clinical Need for Stiffening Wires"; and p. 5-1 510(k) Summary (49 pgs).

Letter Dated Jun. 15, 2005 to CDRH Document Mail Center RE: Additional Information K051058 Zutron Colonoscope Stiffening Device from Azary Technologies,™ LLC conveying additional information to FDA re 510K submission including additional information on the testing in Section 2 of the 510K submission (5 pgs).

* cited by examiner

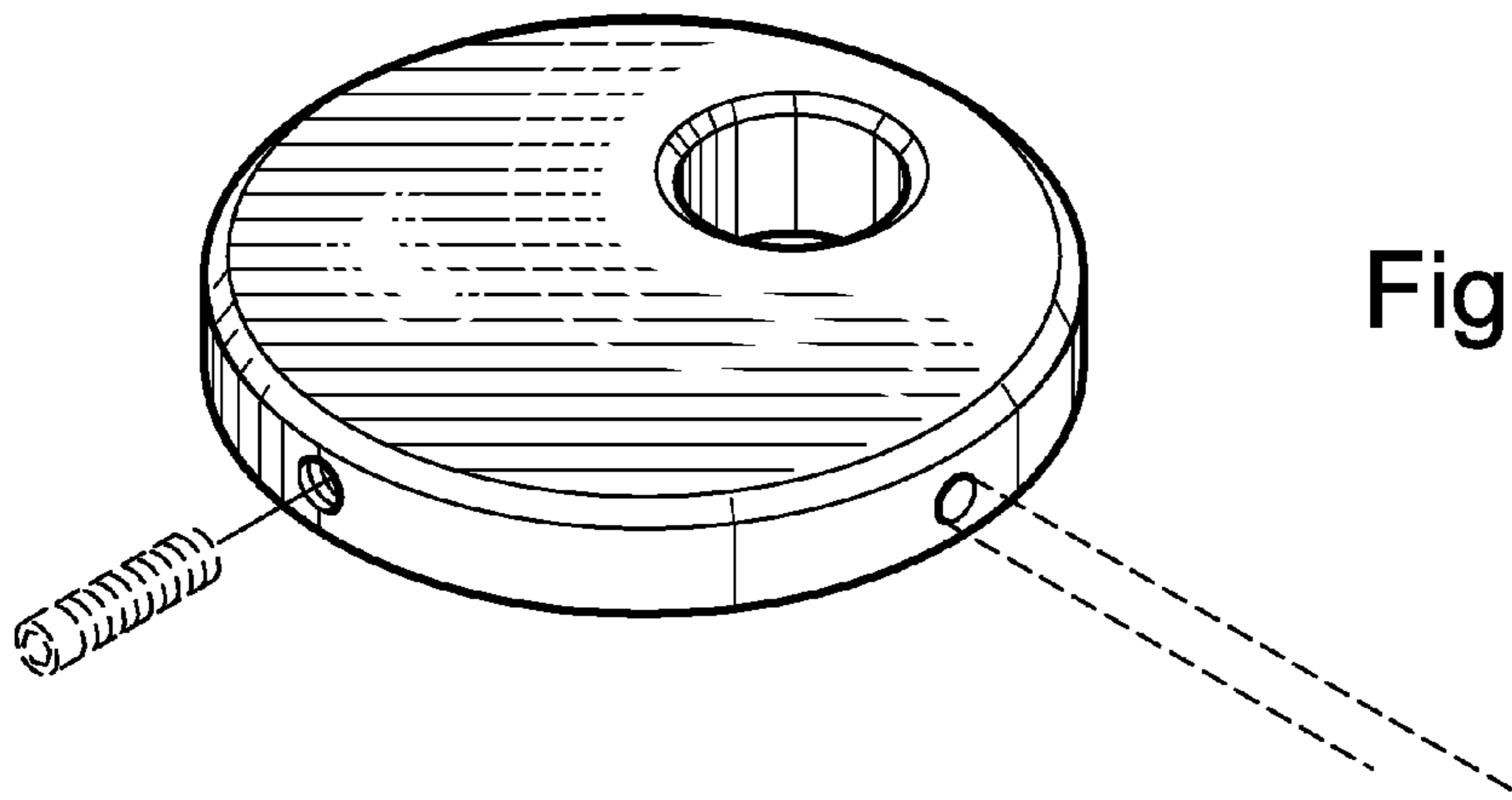


Fig. 1

Fig. 2

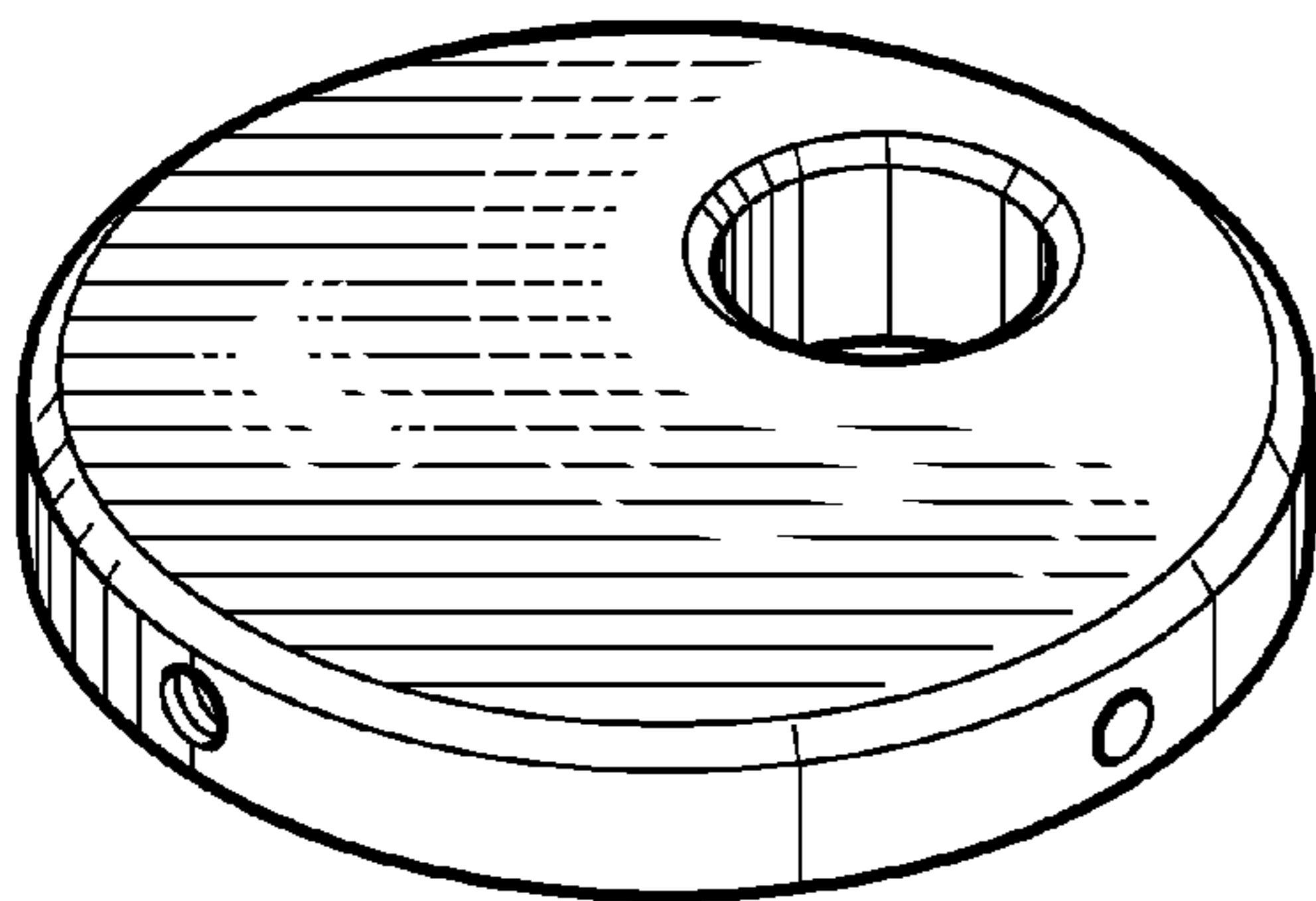


Fig. 3

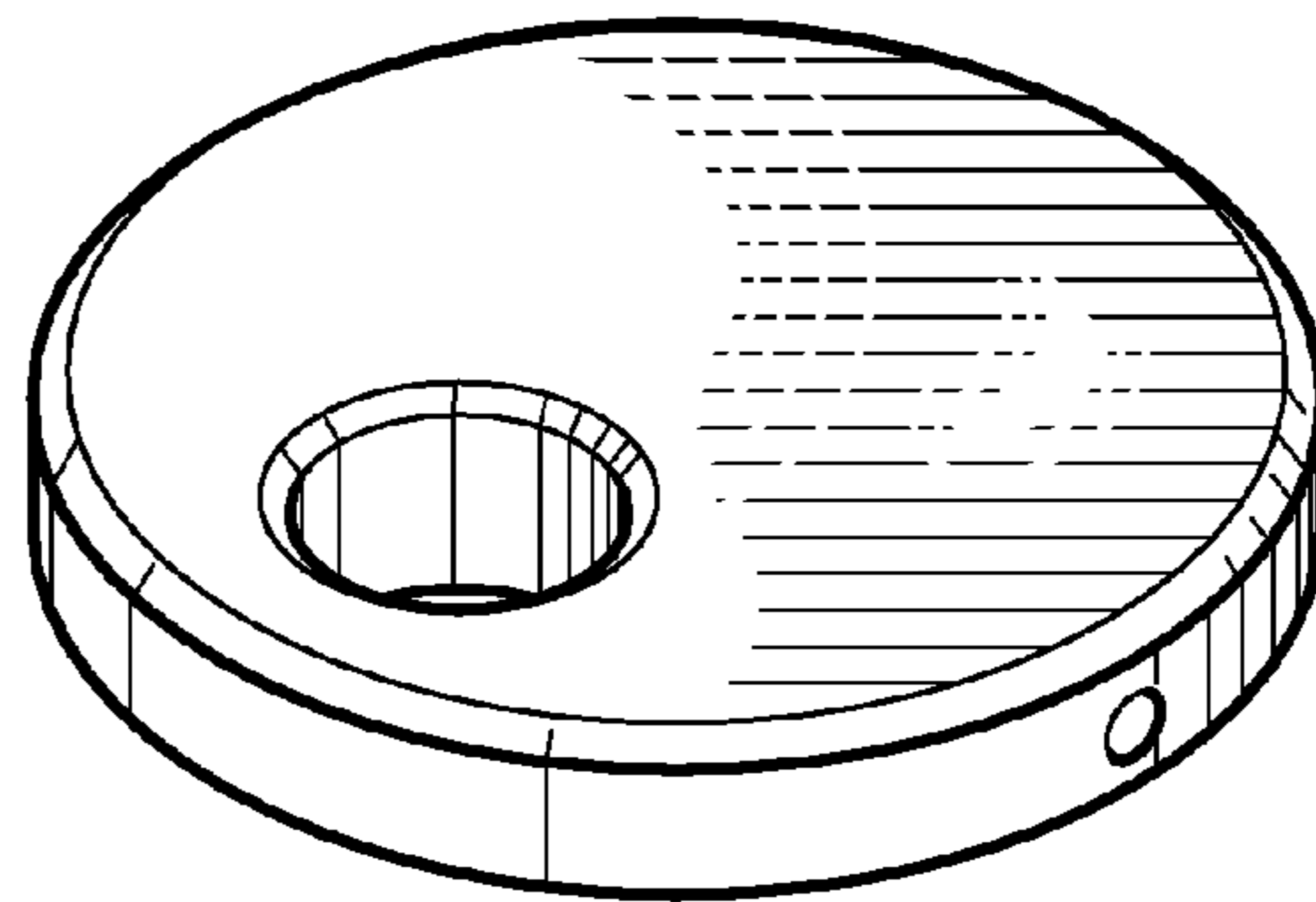


Fig. 4

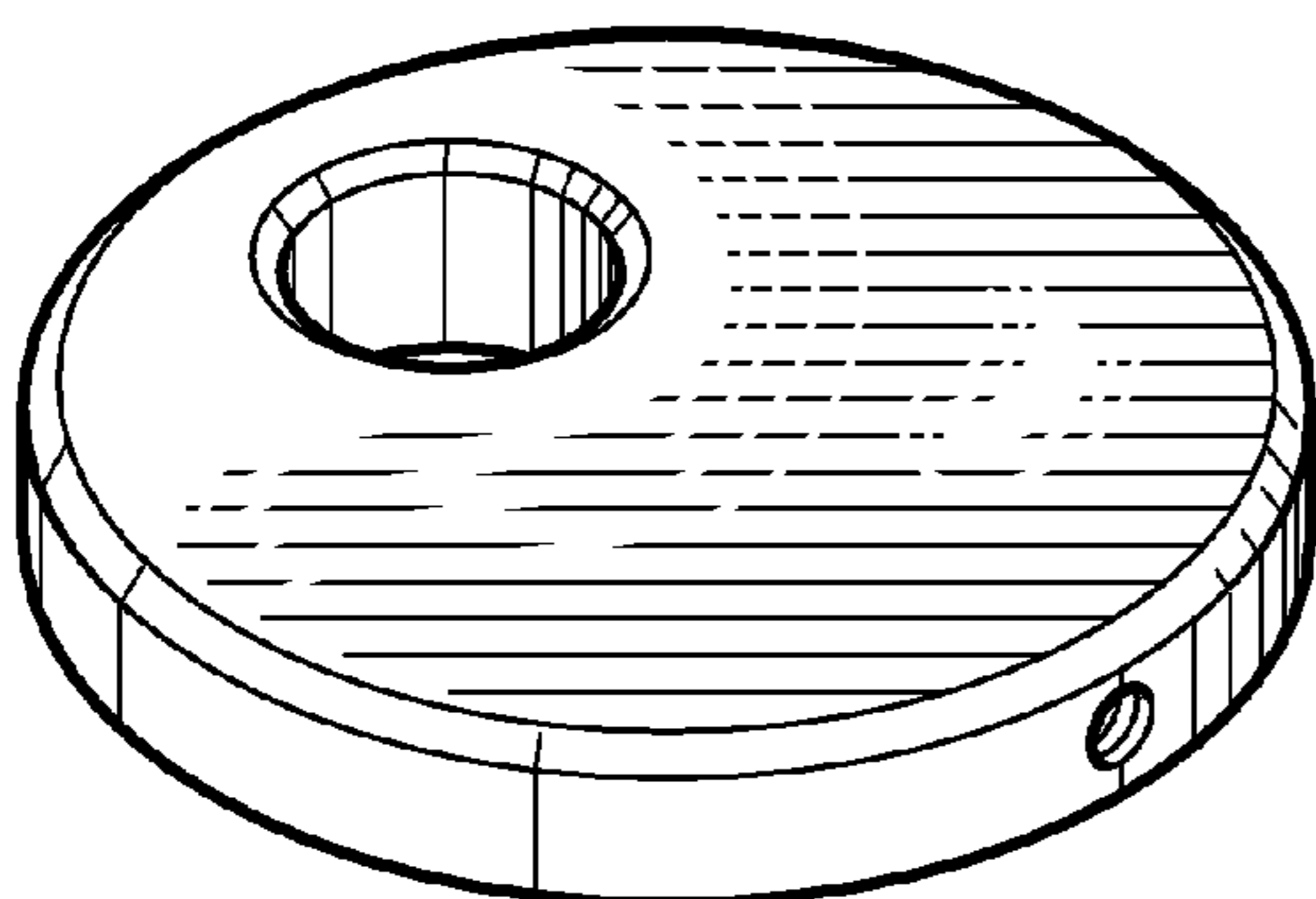
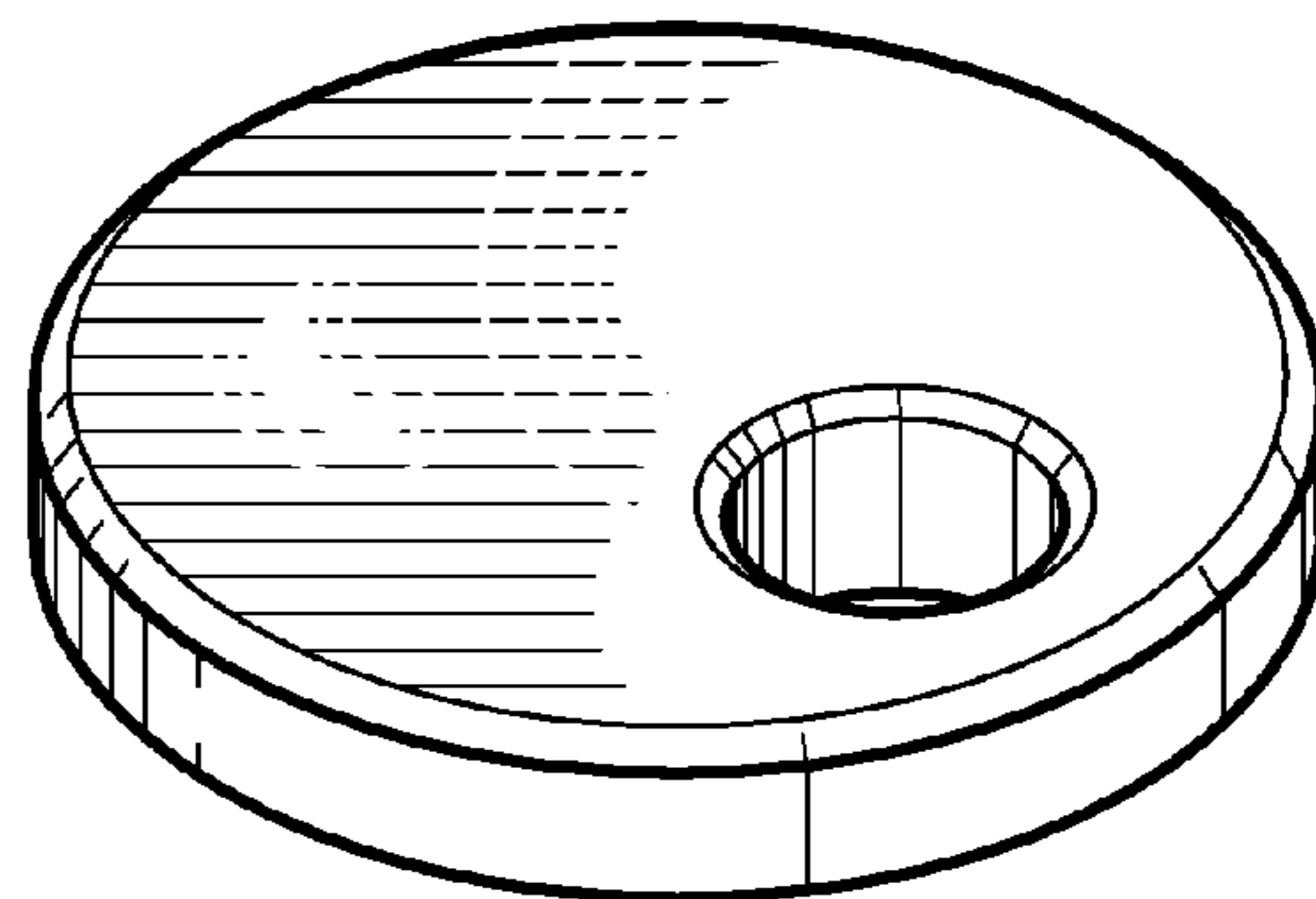


Fig. 5



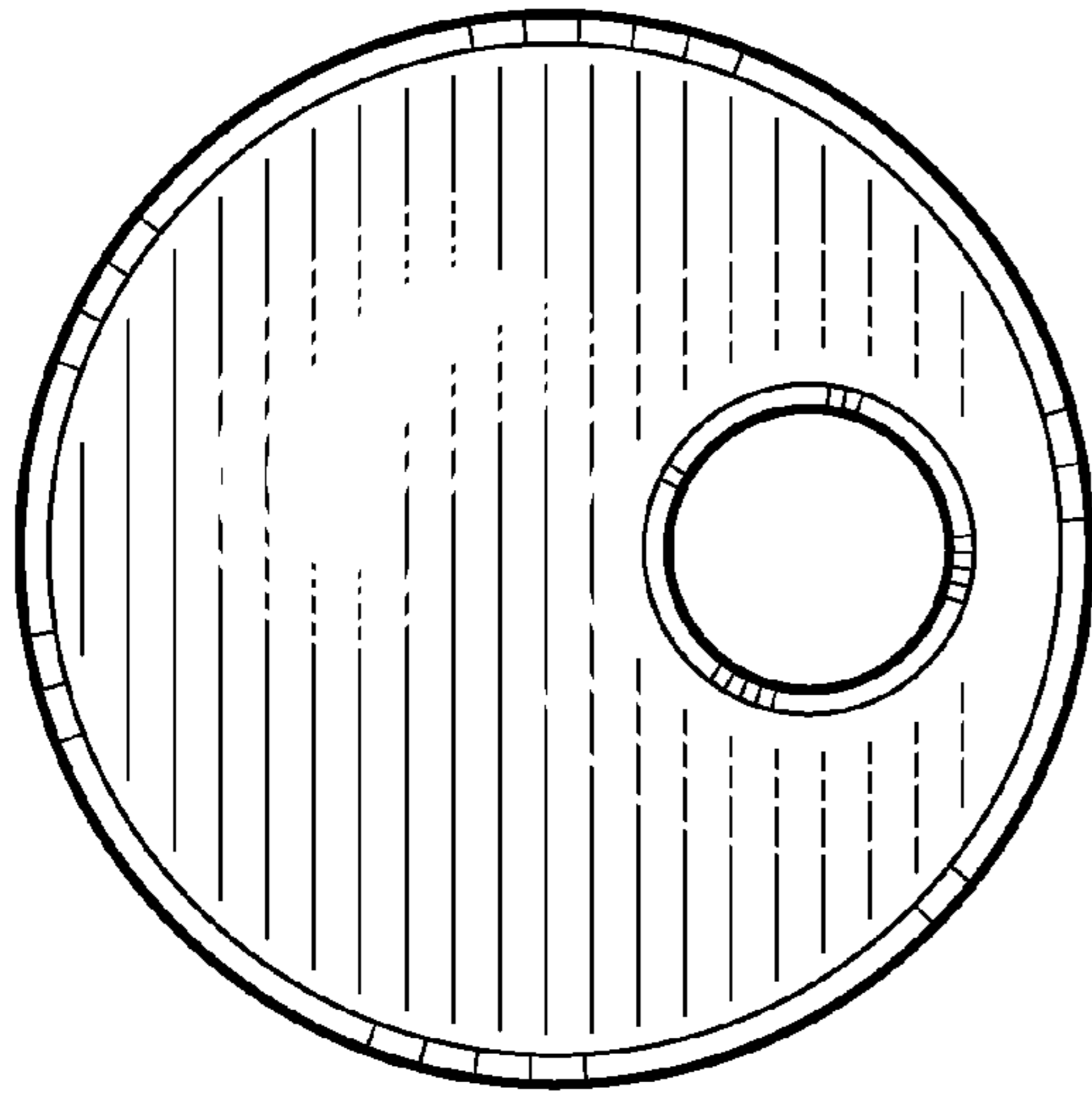


Fig. 6

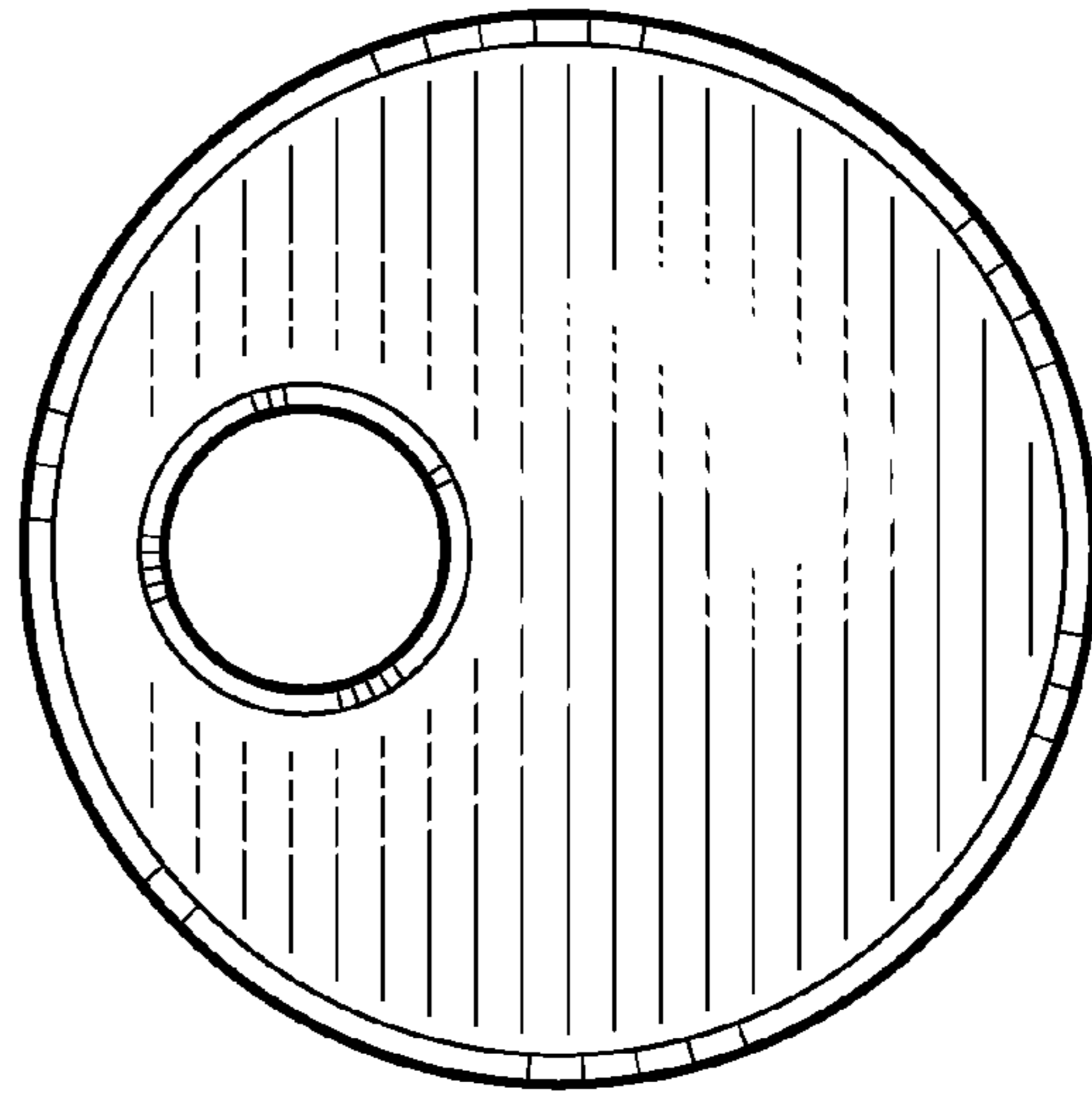


Fig. 7

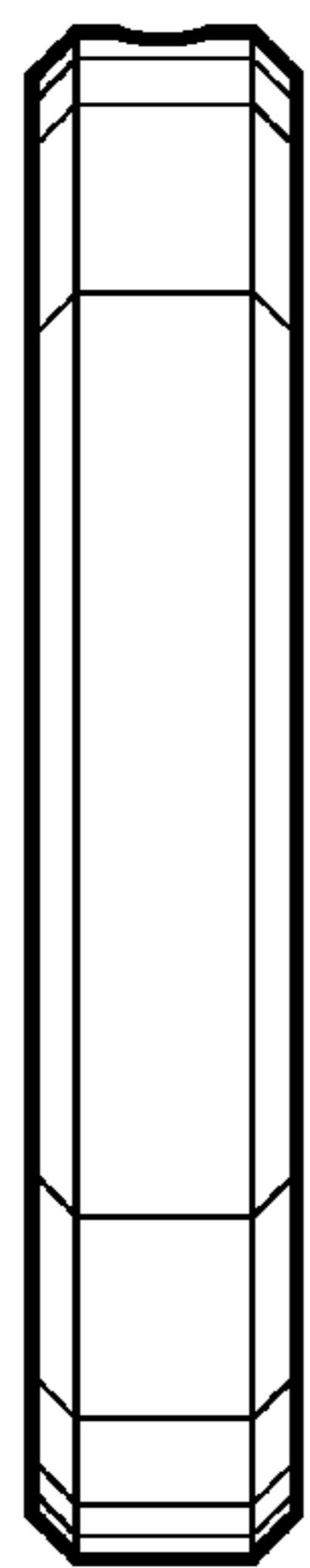


Fig. 8

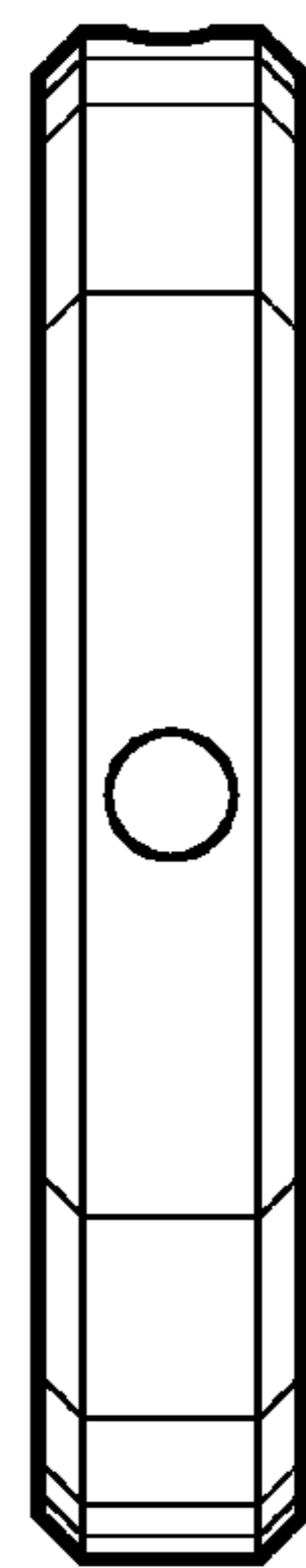


Fig. 9