



US00D597203S

(12) **United States Design Patent**  
**Tauer**

(10) **Patent No.:** **US D597,203 S**  
(45) **Date of Patent:** **\*\* Jul. 28, 2009**

(54) **FLUID BASIN**

(75) Inventor: **Mark Tauer**, Belchertown, MA (US)

(73) Assignee: **Tyco Healthcare Group LP**, Mansfield, MA (US)

(\*\*) Term: **14 Years**

(21) Appl. No.: **29/289,627**

(22) Filed: **Jul. 26, 2007**

(51) **LOC (9) Cl.** ..... **24-04**

(52) **U.S. Cl.** ..... **D24/121**

(58) **Field of Classification Search** ..... D24/121-123,  
D24/117; D23/276, 295, 284, 277; 4/450-458,  
4/488, 492, 493, 513, 538, 553, 905; D9/502,  
D9/428, 429, 425, 431, 562; D7/500, 587,  
D7/586, 545, 584; D30/129, 128, 131, 132;  
600/574; 604/317, 319

See application file for complete search history.

(56) **References Cited**

**U.S. PATENT DOCUMENTS**

D46,262 S	8/1914	Meinecke	
D158,985 S *	6/1950	Lorenzen	D24/123
D213,534 S *	3/1969	Cavenah	D23/277
D216,058 S	11/1969	Painter et al.	
D217,409 S	4/1970	Ott	
D219,323 S	11/1970	Bost	
3,940,807 A *	3/1976	Baker et al.	4/513
3,962,734 A *	6/1976	Chase	4/513
3,992,729 A	11/1976	Mills	
4,080,968 A	3/1978	Nielsen	
D249,162 S	8/1978	Mills	
4,368,548 A	1/1983	Glass	
D269,378 S	6/1983	Work	
D275,606 S	9/1984	Zawachi	
4,474,016 A	10/1984	Winchell	
D284,551 S *	7/1986	Franek et al.	D9/428
4,616,642 A	10/1986	Martin et al.	
D286,671 S *	11/1986	Griffiths	D23/277

D294,749 S *	3/1988	Fuller	D30/132
4,925,047 A	5/1990	Valentine et al.	
5,045,076 A	9/1991	Pierce	
D338,710 S *	8/1993	Higginbotham et al.	D23/277
D354,377 S *	1/1995	Wenstrand	D30/131
5,487,393 A	1/1996	Haswell et al.	
5,674,227 A	10/1997	Burns	
5,697,921 A	12/1997	Blair	
D400,654 S *	11/1998	Jacuzzi	D23/277
D431,637 S *	10/2000	Palmer	D23/277
D441,075 S	4/2001	Nara	
6,238,907 B1	5/2001	Schuler-Maloney et al.	

(Continued)

*Primary Examiner*—T. Chase Nelson

*Assistant Examiner*—David G Muller

(74) *Attorney, Agent, or Firm*—Elizabeth A. O'Brien, Esq.

(57) **CLAIM**

The ornamental design for a fluid basin, as shown and described.

**DESCRIPTION**

FIG. 1 is a first perspective view of a fluid basin of the present disclosure;

FIG. 2 is a second perspective view of the fluid basin of FIG. 1;

FIG. 3 is a third perspective view of the fluid basin of FIG. 1;

FIG. 4 is a top plan view of the fluid basin of FIG. 1;

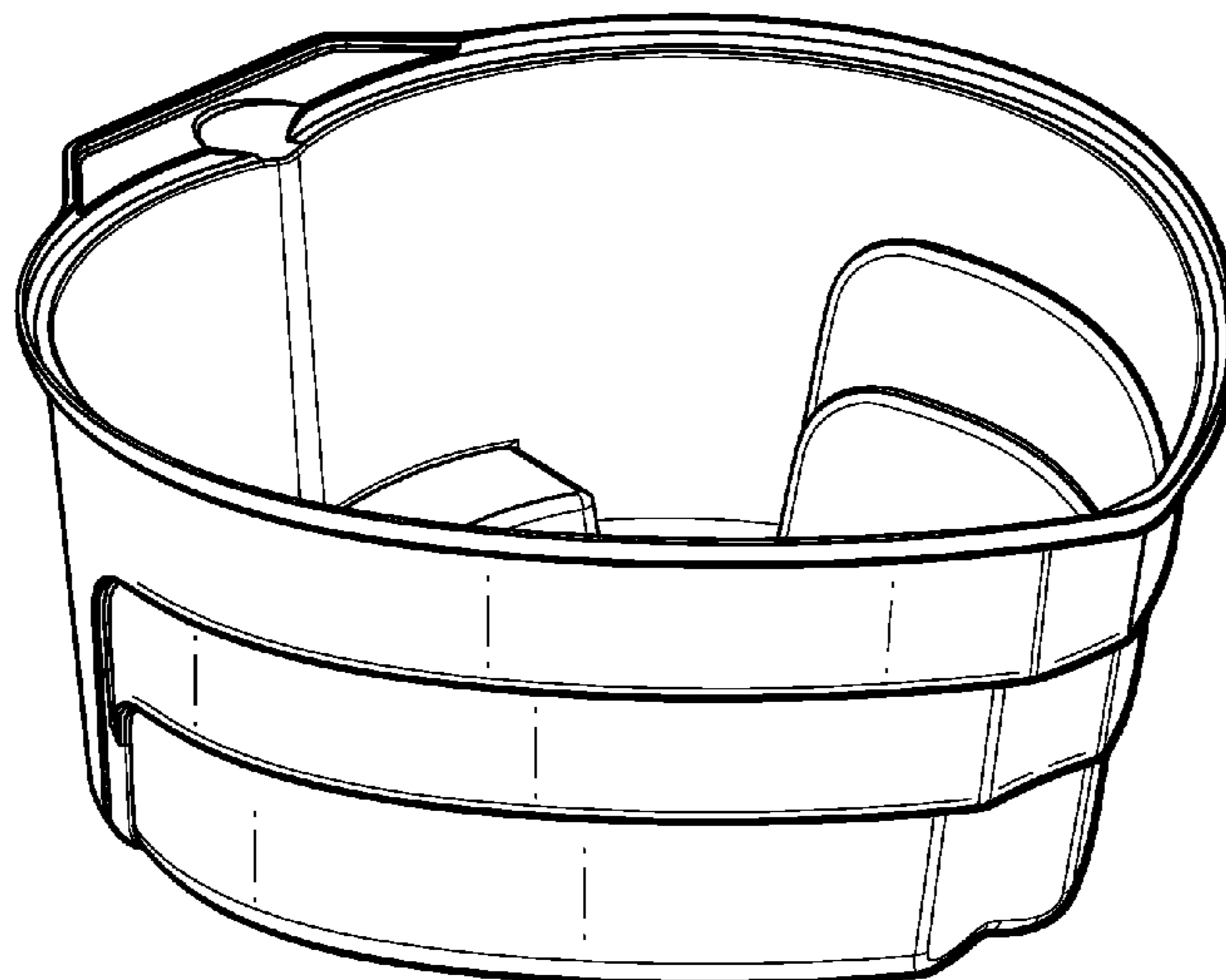
FIG. 5 is an enlarged side elevation view of the fluid basin of FIG. 1;

FIG. 6 is an enlarged rear elevation view of the fluid basin of FIG. 1;

FIG. 7 is an enlarged top plan view of the fluid basin of FIG. 1; and,

FIG. 8 is an enlarged front elevation view of the fluid basin of FIG. 1.

**1 Claim, 5 Drawing Sheets**



# US D597,203 S

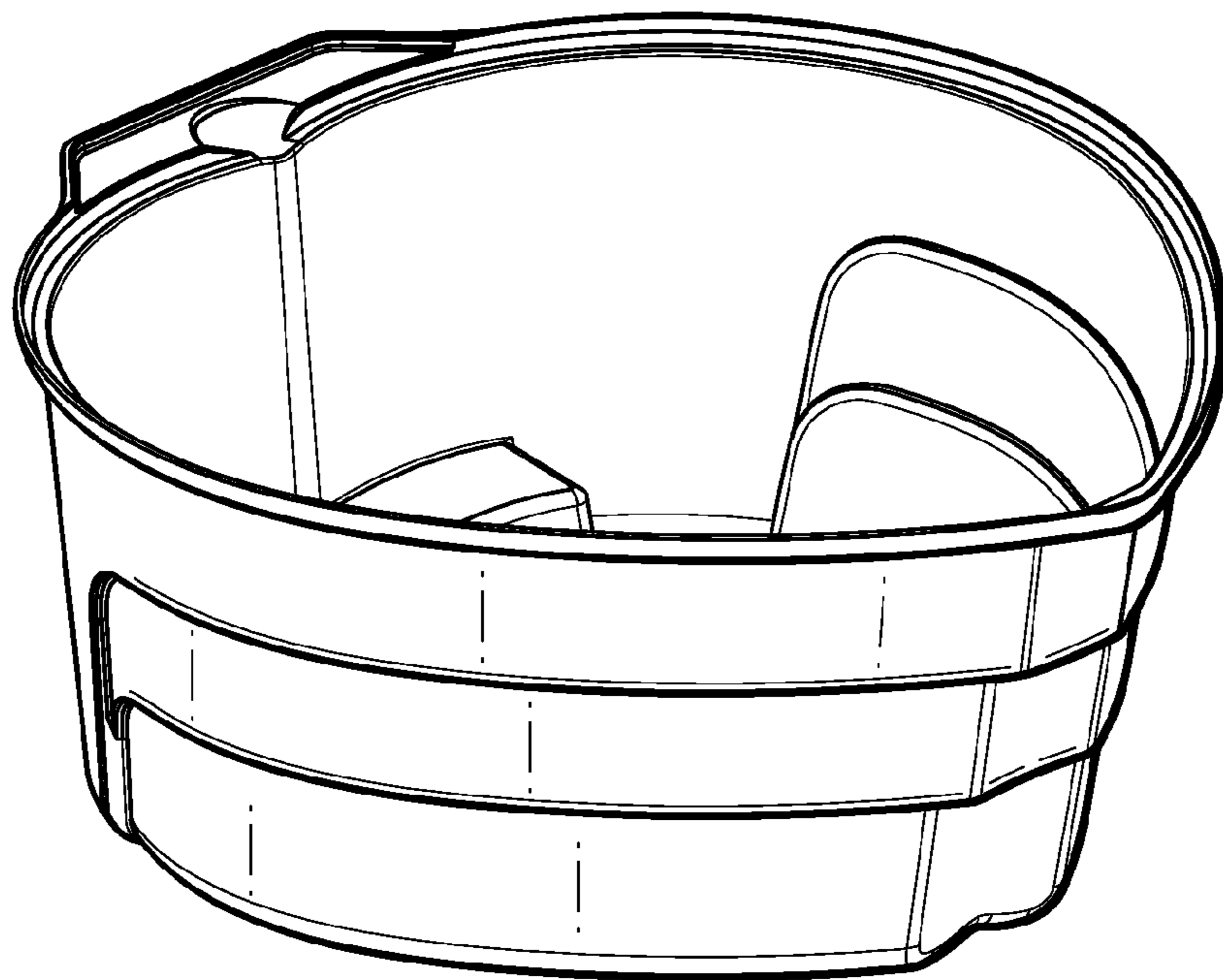
Page 2

---

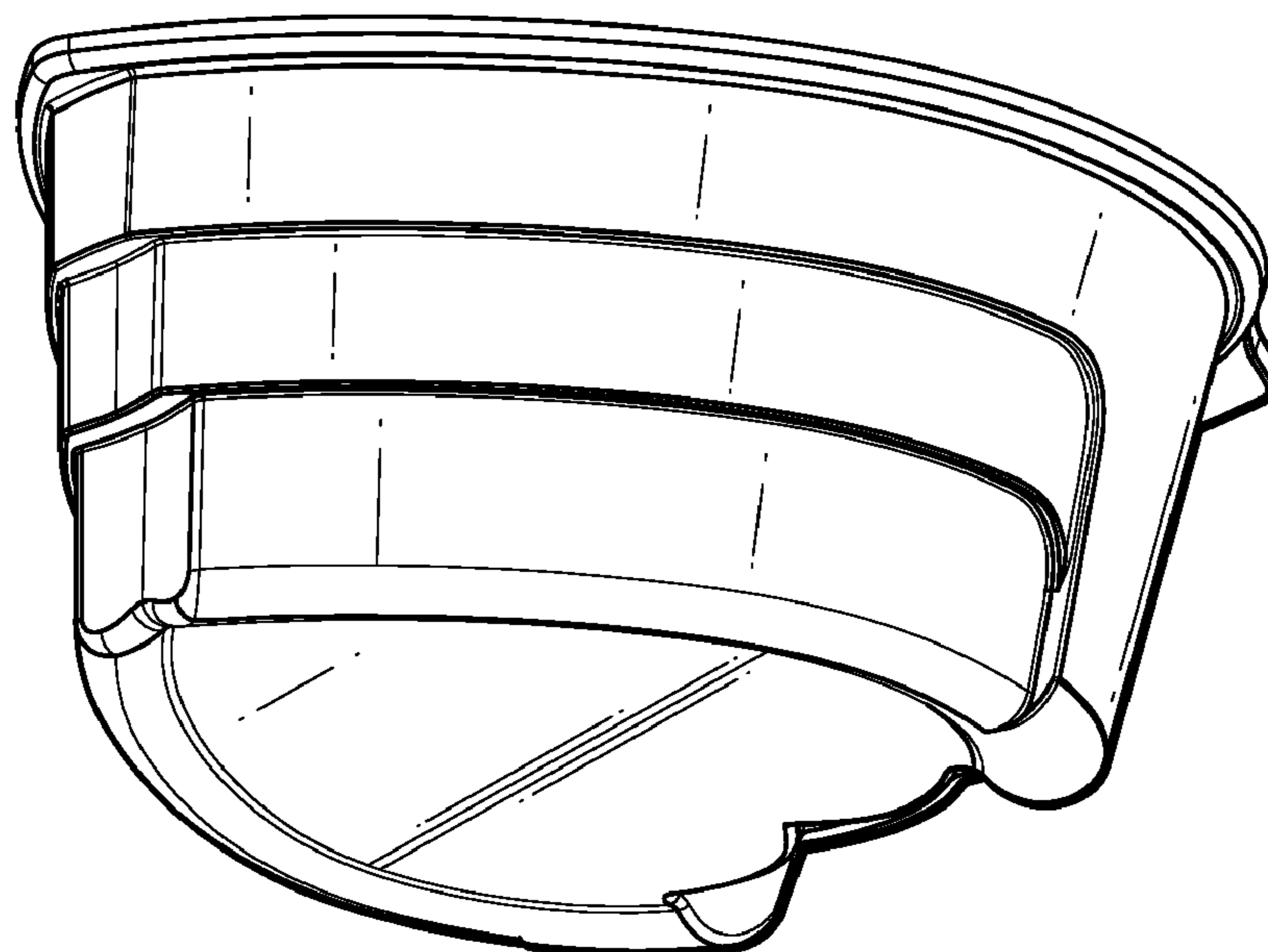
## U.S. PATENT DOCUMENTS

6,398,062	B1	6/2002	Jones	7,147,626	B2	12/2006	Goodman et al.
6,415,455	B1	7/2002	Slaon, III et al.	7,153,294	B1	12/2006	Farrow
6,532,604	B2	3/2003	Moser	D566,246	S *	4/2008	Cunningham ..... D23/277
6,602,230	B1	8/2003	Fisher et al.	D572,803	S *	7/2008	Clarke ..... D23/277
D482,780	S	11/2003	Robbins et al.	2005/0197638	A1	9/2005	Papendick et al.
7,025,733	B2	4/2006	McQuaid	2006/0009742	A1	1/2006	Solazzo

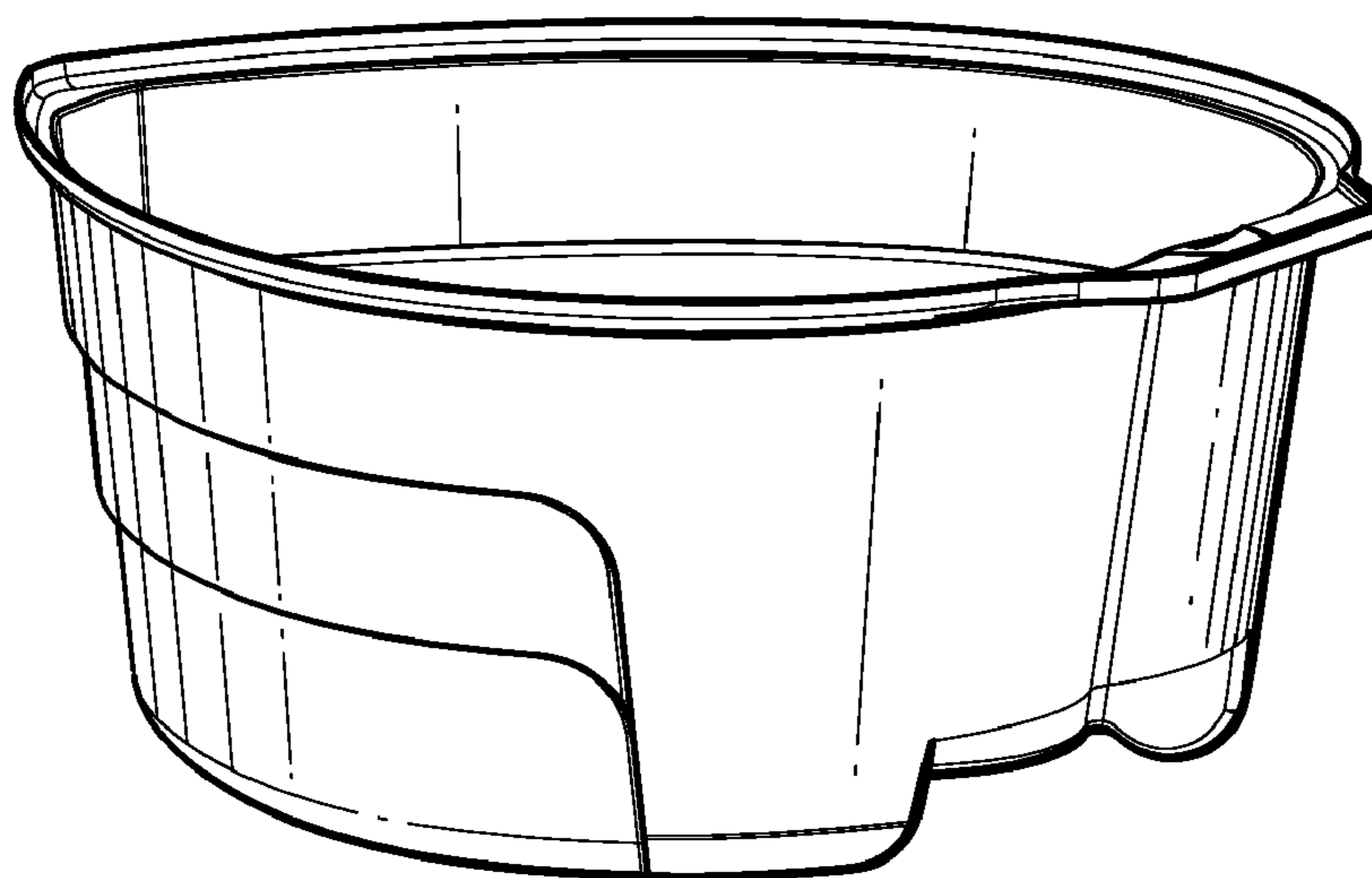
\* cited by examiner



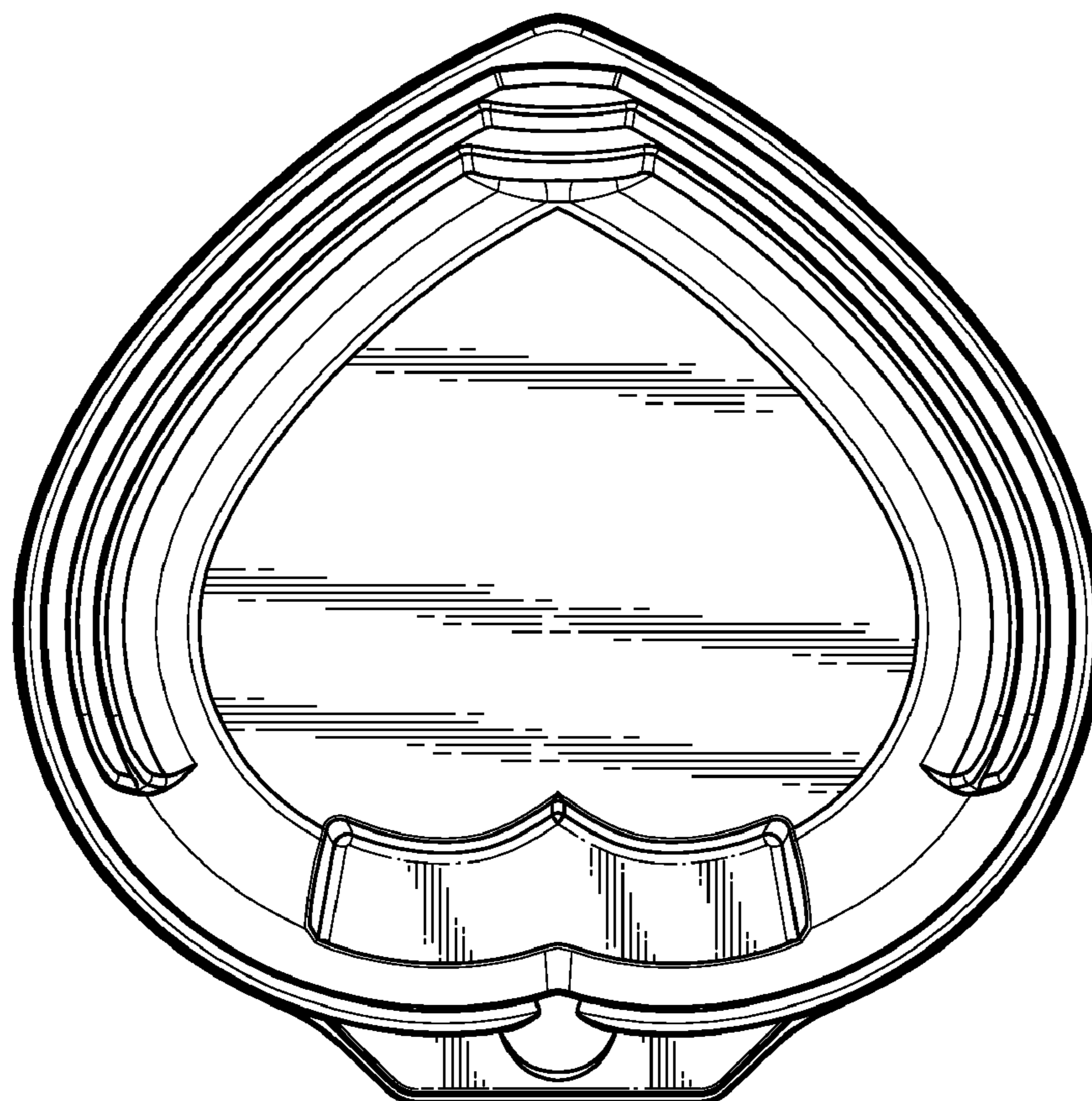
**FIG. 1**



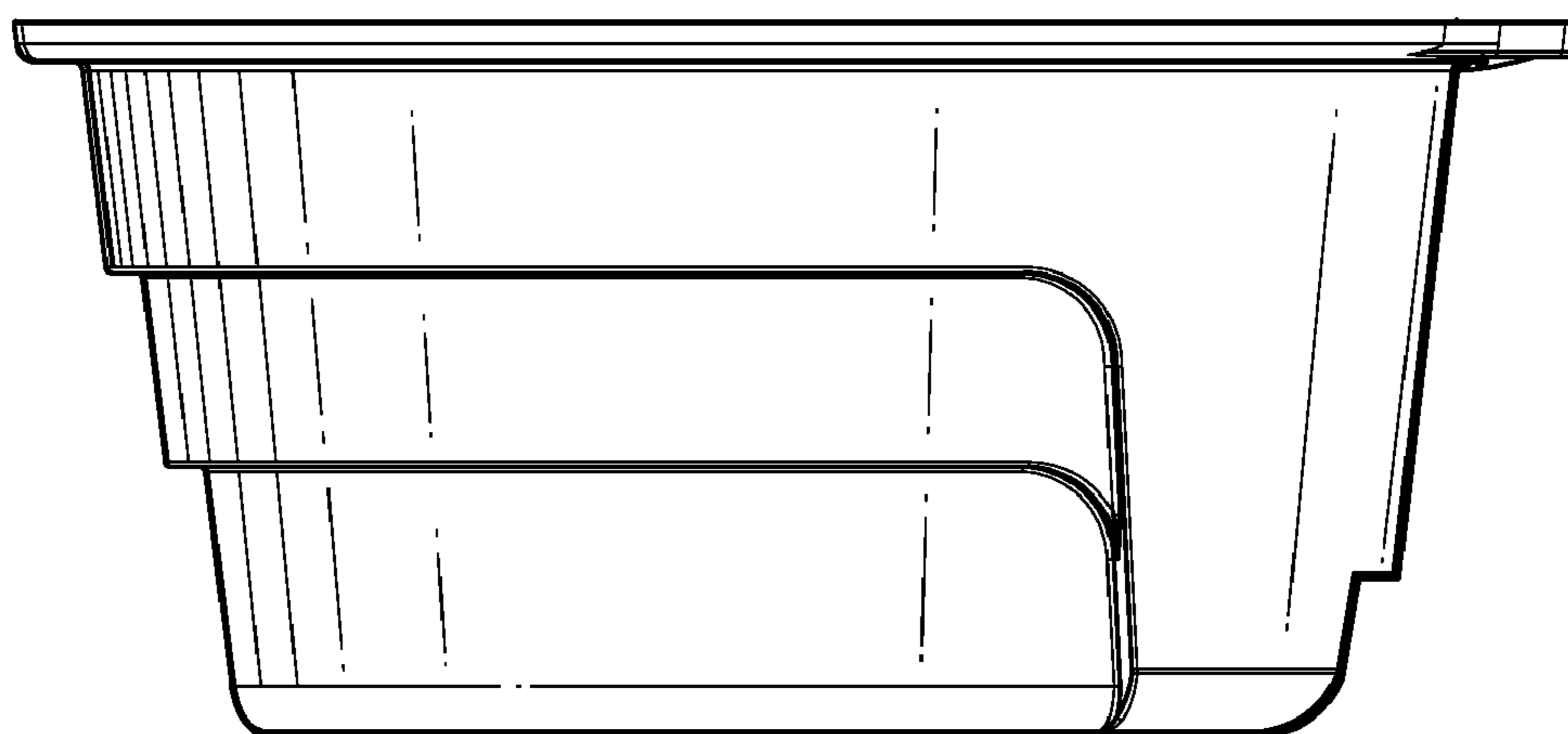
**FIG. 2**



**FIG. 3**

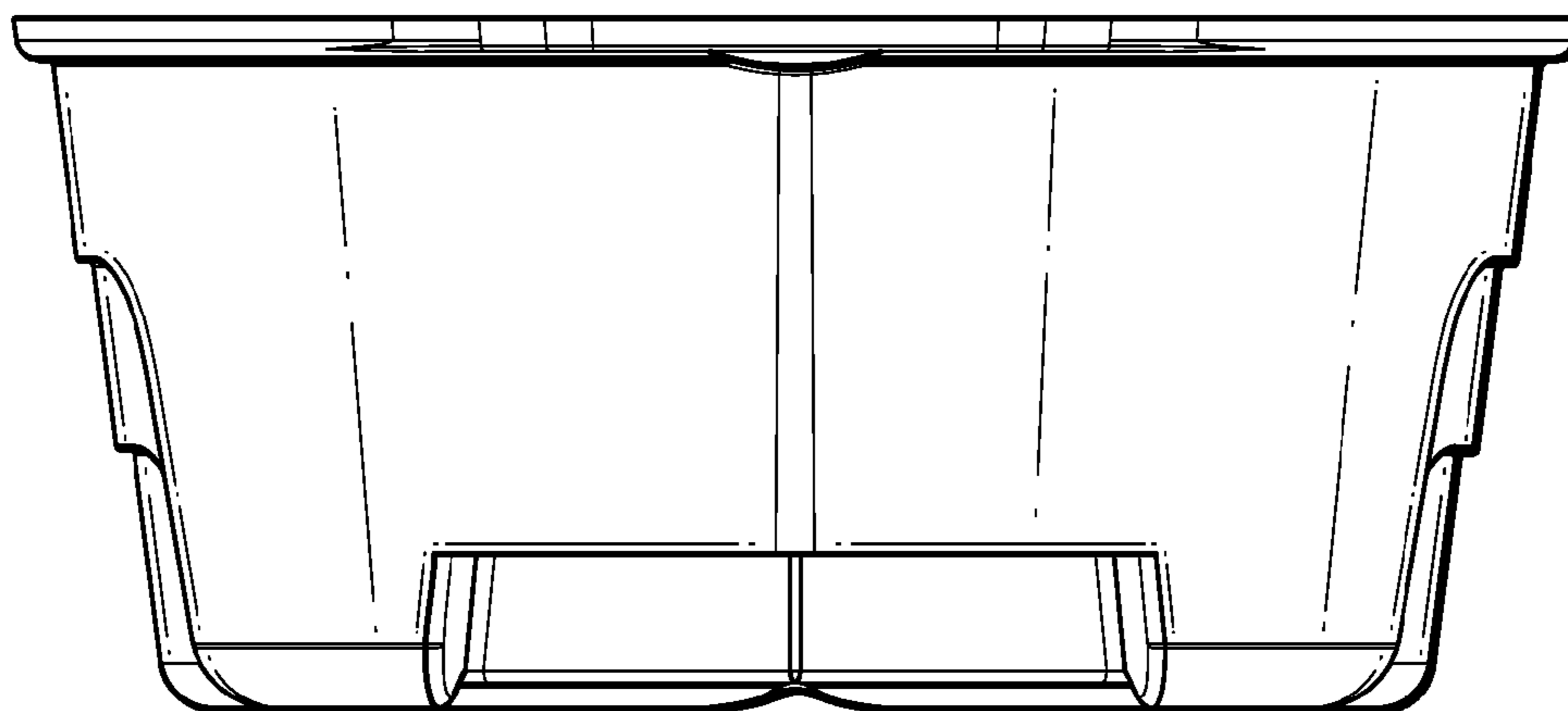


**FIG. 4**

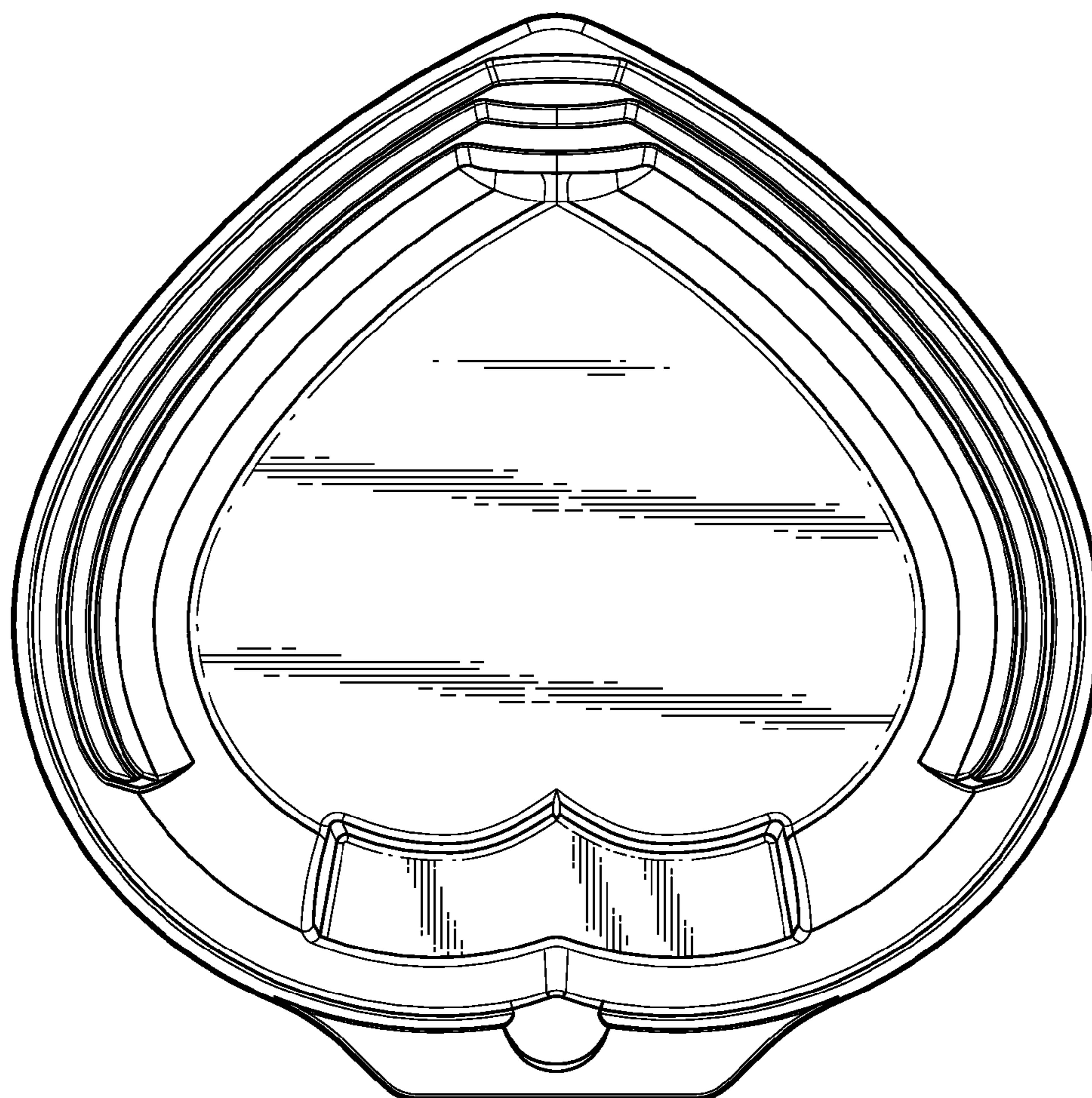


**FIG. 5**

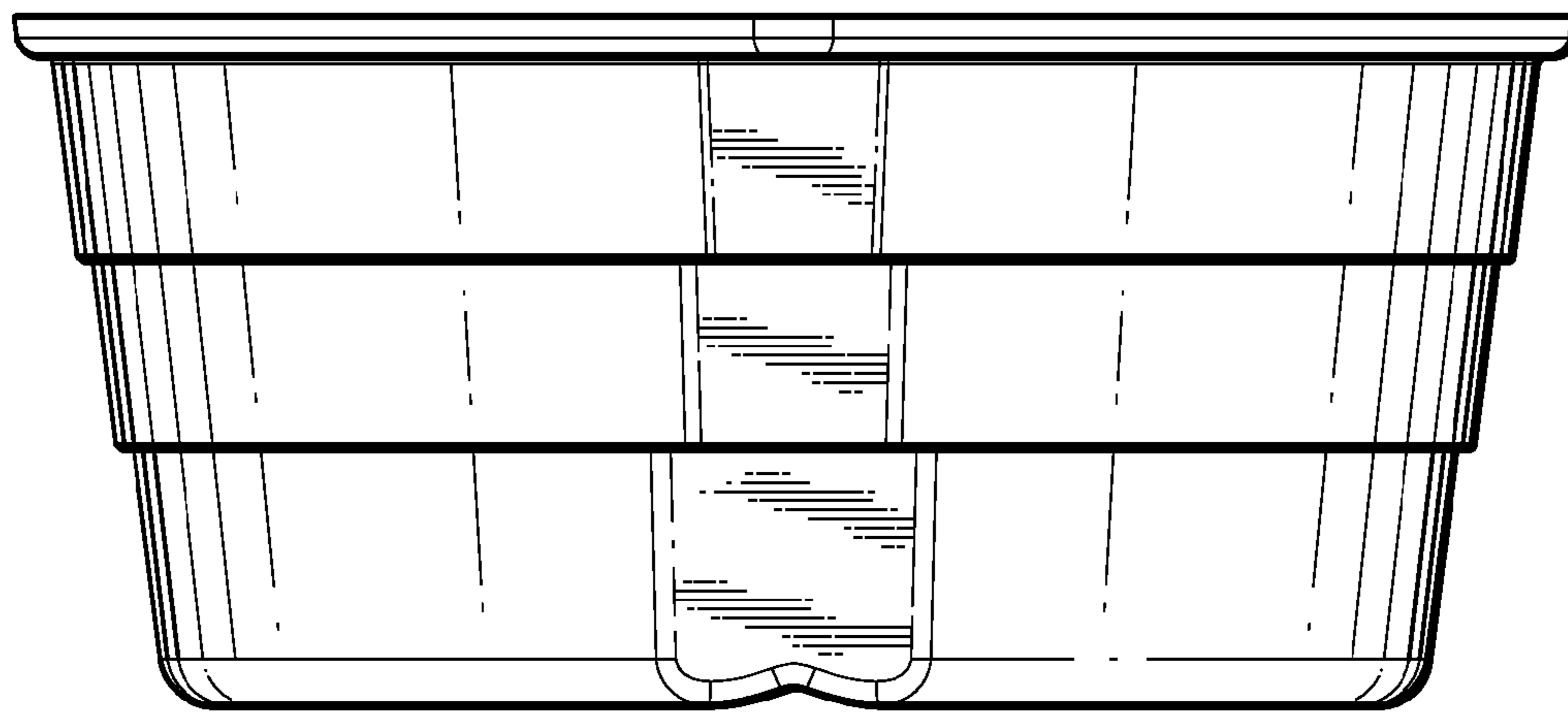




**FIG. 6**



**FIG. 7**



**FIG. 8**