



US00D597199S

(12) **United States Design Patent**
Smart et al.

(10) **Patent No.:** **US D597,199 S**
(45) **Date of Patent:** **** Jul. 28, 2009**

(54) **RESPIRATORY MASK FRAME**

(75) Inventors: **Gregory Scott Smart**, Randwick (AU);
Christopher Scott Skipper, North Ryde
(AU); **Michael John Reid**, Stanmore
(AU); **Alison Oldenburg**, Crows Nest
(AU); **Rupert Christian Scheiner**,
Davidson (AU); **Steven John Lubke**,
Stanmore (AU); **James William Charles**
Vandyke, Belrose (AU); **Timothy**
Shawn Nelson, Marrickville (AU)

(73) Assignee: **ResMed Limited**, Bella Vista (AU)

(**) Term: **14 Years**

(21) Appl. No.: **29/258,791**

(22) Filed: **Apr. 28, 2006**

(51) **LOC (9) Cl.** **29-02**

(52) **U.S. Cl.** **D24/110.1**

(58) **Field of Classification Search** .. D24/110.1-110.5;
128/207.18, 207.13, 207.11, 206.21, 206.11,
128/206.12, 200.24, 205.25, 204.18, 204.23
See application file for complete search history.

(56) **References Cited**

U.S. PATENT DOCUMENTS

443,191 A 12/1890 Illing
1,125,542 A 1/1915 Humphries

(Continued)

FOREIGN PATENT DOCUMENTS

DE 146688 2/1981

(Continued)

OTHER PUBLICATIONS

Respironics Co.—Mask Family—<http://maskfamily.respironics.com/>viewed on Jul. 24, 2006.

(Continued)

Primary Examiner—Ian Simmons
Assistant Examiner—Christopher Lee

(74) *Attorney, Agent, or Firm*—Nixon & Vanderhye P.C.

(57) **CLAIM**

The ornamental design for a respiratory mask frame, as shown and described.

DESCRIPTION

FIG. 1 is a front perspective view of a portion of a respiratory mask frame showing our design, with the lower portion of the frame with clip receptacles portrayed in broken lines;

FIG. 2 is a reverse perspective view thereof;

FIG. 3 is a front view thereof;

FIG. 4 is a rear view thereof;

FIG. 5 is a top view thereof;

FIG. 6 is a bottom view thereof;

FIG. 7 is a right side view thereof; and

FIG. 8 is a left side view thereof;

FIG. 9 is a front perspective view of a portion of a respiratory mask frame showing an embodiment of our design, with the vent portions and the lower portion of the frame with clip receptacles portrayed in broken lines;

FIG. 10 is a reverse perspective view thereof;

FIG. 11 is a front view thereof;

FIG. 12 is a rear view thereof;

FIG. 13 is a top view thereof;

FIG. 14 is a bottom view thereof;

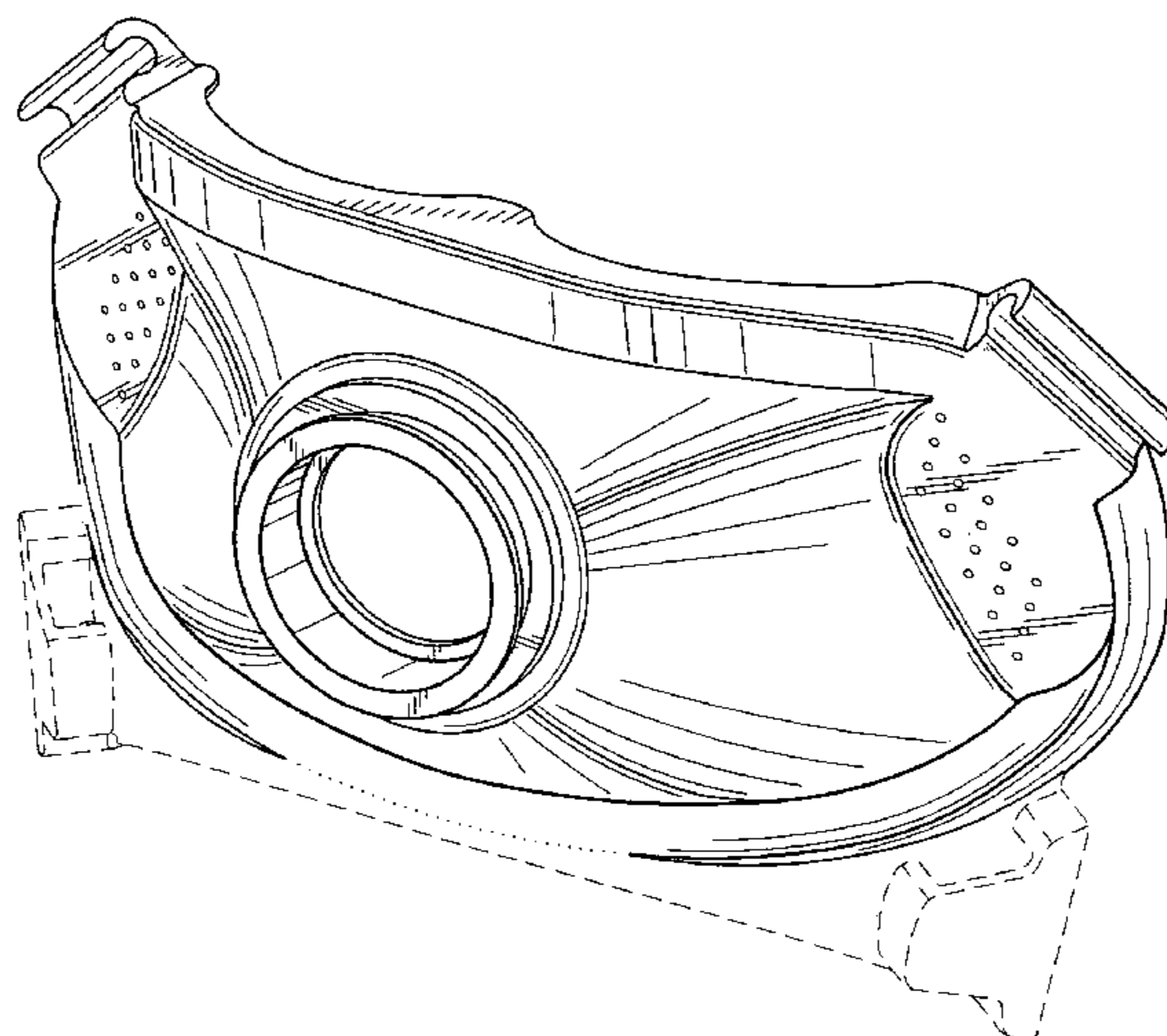
FIG. 15 is a right side view thereof; and,

FIG. 16 is a left side view thereof.

Where included, the use of broken lines are for illustrative purposes only to indicate environmental surroundings and does not constitute a portion of the claimed design.

Where included, the use of dotted lines represents the border between claimed and unclaimed subject matter and does not constitute a portion of the claimed design.

1 Claim, 8 Drawing Sheets



US D597,199 S

Page 2

U.S. PATENT DOCUMENTS

3,670,726 A 6/1972 Mahon et al.
 3,739,774 A 6/1973 Gregory
 3,754,552 A 8/1973 King
 3,861,385 A 1/1975 Carden
 3,902,486 A 9/1975 Guichard
 3,905,361 A 9/1975 Hewson et al.
 4,156,426 A 5/1979 Gold
 4,267,845 A 5/1981 Robertson, Jr. et al.
 4,273,124 A 6/1981 Zimmerman
 4,312,359 A 1/1982 Olson
 4,367,735 A 1/1983 Dali
 4,367,816 A 1/1983 Wilkes
 4,406,283 A 9/1983 Bir
 4,422,456 A 12/1983 Teip
 4,493,614 A 1/1985 Chu et al.
 4,549,542 A 10/1985 Chien
 4,587,967 A 5/1986 Chu et al.
 4,601,465 A 7/1986 Roy
 4,617,637 A 10/1986 Chu et al.
 4,660,555 A 4/1987 Payton
 4,699,139 A 10/1987 Marshall et al.
 4,706,664 A 11/1987 Snook et al.
 4,753,233 A 6/1988 Grimes
 4,774,946 A 10/1988 Ackerman et al.
 4,899,740 A 2/1990 Napolitano
 4,915,105 A 4/1990 Lee
 4,996,983 A 3/1991 Amrhein
 5,000,173 A 3/1991 Zalkin et al.
 5,022,900 A 6/1991 Bar-Yona et al.
 5,025,805 A 6/1991 Nutter
 5,038,772 A 8/1991 Kolbe et al.
 5,046,491 A 9/1991 Derrick
 5,074,297 A 12/1991 Venegas
 5,113,857 A 5/1992 Dickerman et al.
 5,121,745 A 6/1992 Israel
 5,127,397 A 7/1992 Kohnke
 5,137,017 A 8/1992 Salter
 D333,015 S 2/1993 Farmer et al.
 5,188,101 A 2/1993 Tumolo
 5,265,592 A 11/1993 Beaussant
 5,265,595 A 11/1993 Rudolph
 5,269,296 A 12/1993 Landis
 5,271,391 A 12/1993 Graves
 5,299,599 A 4/1994 Farmer et al.
 5,335,656 A 8/1994 Bowe et al.
 5,355,893 A 10/1994 Mick et al.
 5,372,130 A 12/1994 Stem et al.
 5,375,593 A 12/1994 Press
 5,385,141 A 1/1995 Granatiero
 5,394,568 A 3/1995 Brostrom et al.
 5,396,885 A 3/1995 Nelson
 5,398,676 A 3/1995 Press et al.
 5,400,776 A 3/1995 Bartholomew
 5,425,359 A 6/1995 Liou
 5,437,267 A 8/1995 Weinstein et al.
 5,509,409 A 4/1996 Weatherholt
 5,526,806 A 6/1996 Sansoni
 5,533,506 A 7/1996 Wood
 5,560,354 A 10/1996 Berthon-Jones et al.
 5,682,881 A 11/1997 Winthrop et al.

5,740,799 A 4/1998 Nielsen
 5,794,619 A 8/1998 Edeiman et al.
 5,906,203 A 5/1999 Klockseth et al.
 5,954,049 A 9/1999 Foley et al.
 6,123,071 A 9/2000 Berthon-Jones et al.
 6,357,441 B1 3/2002 Kwok et al.
 6,431,172 B1 8/2002 Bordewick
 6,439,234 B1 8/2002 Curti et al.
 6,478,026 B1 11/2002 Wood
 6,561,188 B1 5/2003 Ellis
 6,561,193 B1 5/2003 Noble
 6,571,798 B1 6/2003 Thornton
 6,581,602 B2 6/2003 Kwok et al.
 6,595,214 B1 7/2003 Hecker et al.
 6,595,215 B2 7/2003 Wood
 6,637,434 B2 10/2003 Noble
 6,644,315 B2 11/2003 Ziaee
 6,655,385 B1 12/2003 Curti et al.
 6,679,265 B2 1/2004 Strickland et al.
 D486,907 S * 2/2004 Guney et al. D24/110.1
 6,766,800 B2 7/2004 Chu et al.
 D567,364 S * 4/2008 Smart D24/110.1
 D576,271 S * 9/2008 Gunaratnam et al. D24/110.1
 2002/0046755 A1 4/2002 Devoss
 2002/0124849 A1 9/2002 Billette De Villemeur et al.
 2003/0079749 A1 5/2003 Strickland et al.
 2003/0196658 A1 10/2003 Ging et al.
 2004/0112384 A1 6/2004 Lithgow et al.
 2005/0028822 A1 2/2005 Sleeper et al.
 2005/0033247 A1 2/2005 Thompson
 2005/0051176 A1 3/2005 Riggins
 2005/0061326 A1 3/2005 Payne, Jr.
 2006/0124131 A1 6/2006 Chandran et al.

FOREIGN PATENT DOCUMENTS

DE	37 19 009	12/1988
DE	199 44 242	3/2001
EP	0 658 356	6/1995
GB	532214	1/1941
GB	2 368 533	5/2002
JP	463702	5/1971
JP	463703	6/1971
WO	WO 01/97892	12/2001
WO	WO 2005/063328	7/2005

OTHER PUBLICATIONS

ResMed Co.—Mask Products—<http://resmed.com/portal/site/ResMedUS/index.jsp?...> viewed on Jul. 24, 2006.
 Fisher and Paykel Co.—Product Family—<http://www.fphcarc.com/osa/products.asp/> viewed on Jul. 24, 2006.
 Hans Rudolph, Inc.—Mask Products—<http://www.rudolphkc.com/products.php?category=MASKS> viewed on Jul. 24, 2006.
 Snapp Nasal Interface, Tiara Medical Systems, Inc.—http://www.tiaramed.com/asp_shops/shopdisplayproducts.asp?id=109&cat=SNAPP%2A+Nasal+Interface viewed on Jul. 24, 2006.
 U.S. Appl. No. 60/634,802, filed Dec. 10, 2004.
 U.S. Appl. No. 60/645,672, filed Jan. 21, 2005.
 U.S. Appl. No. 29/258,792, filed Apr. 2006.
 U.S. Appl. No. 29/266,941, filed Oct. 2006.

* cited by examiner

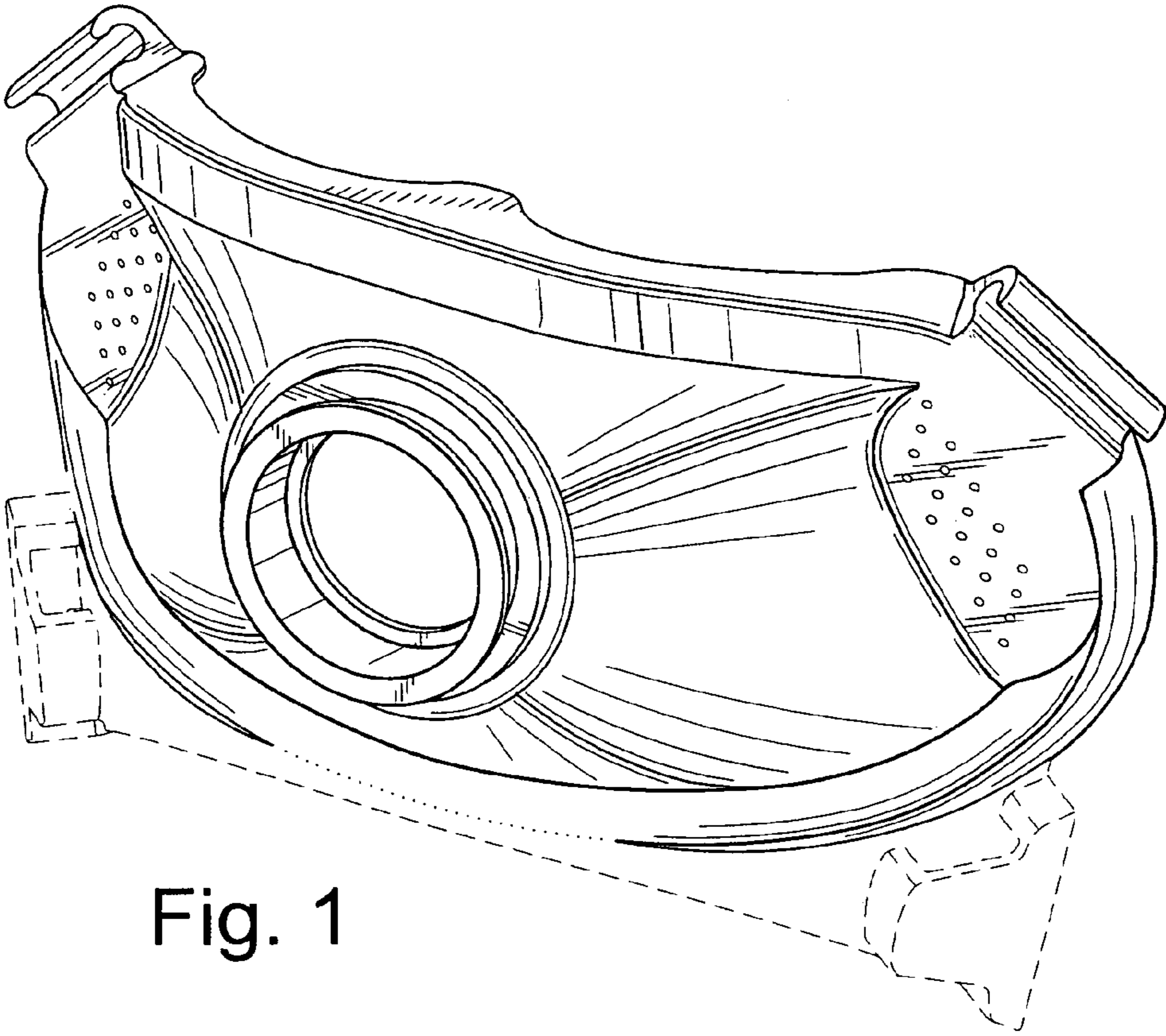


Fig. 1

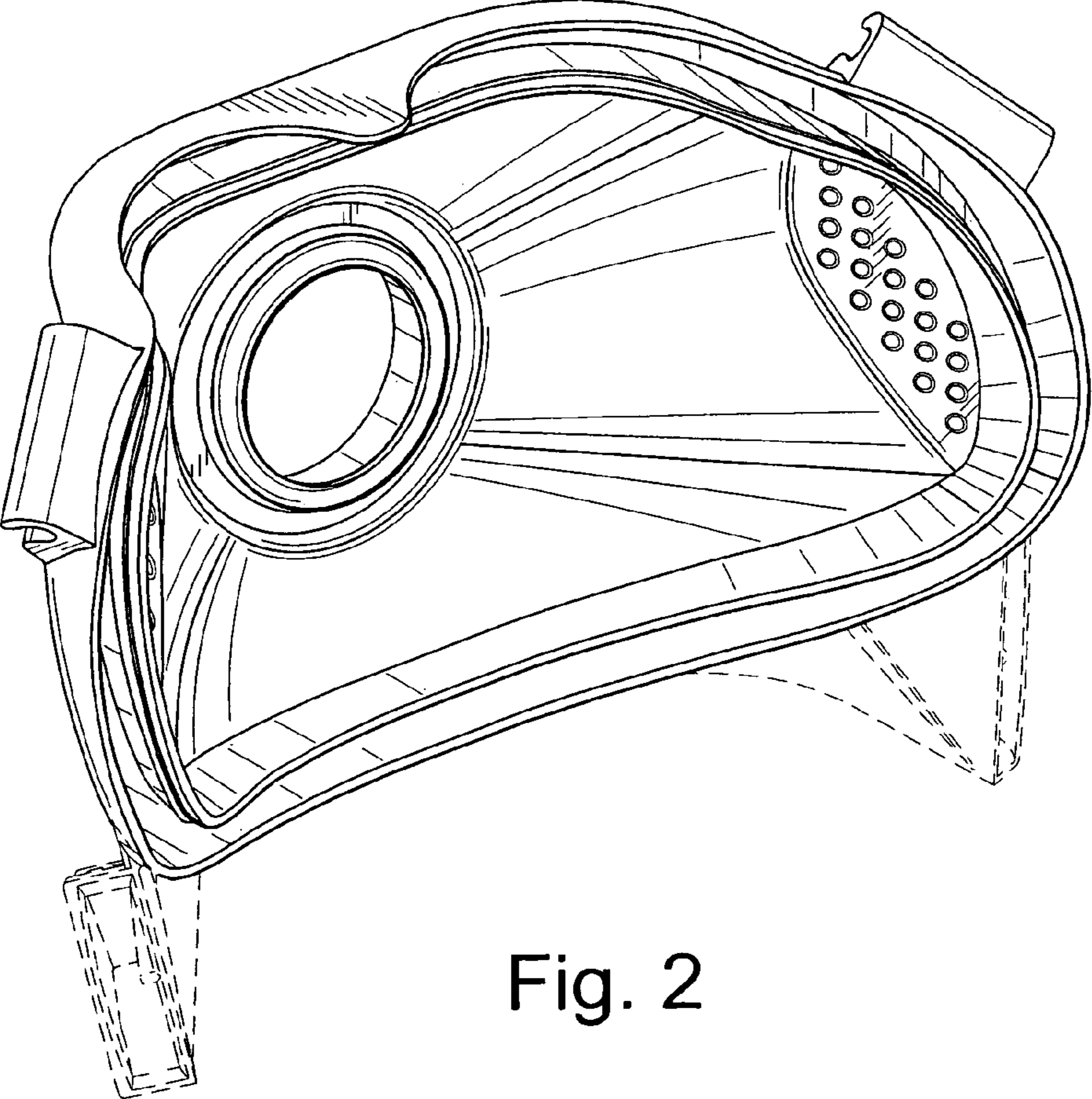


Fig. 2

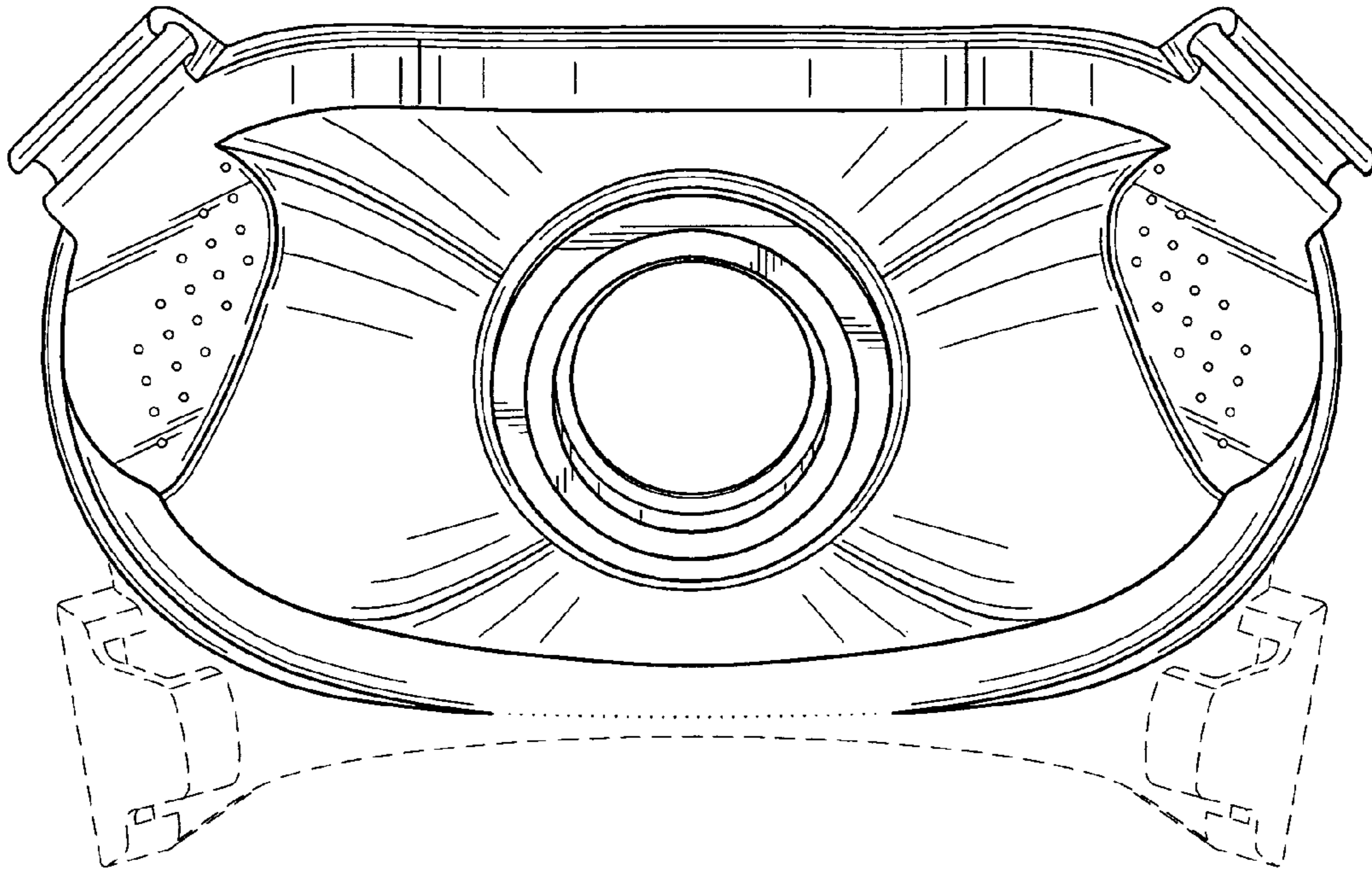


Fig. 3

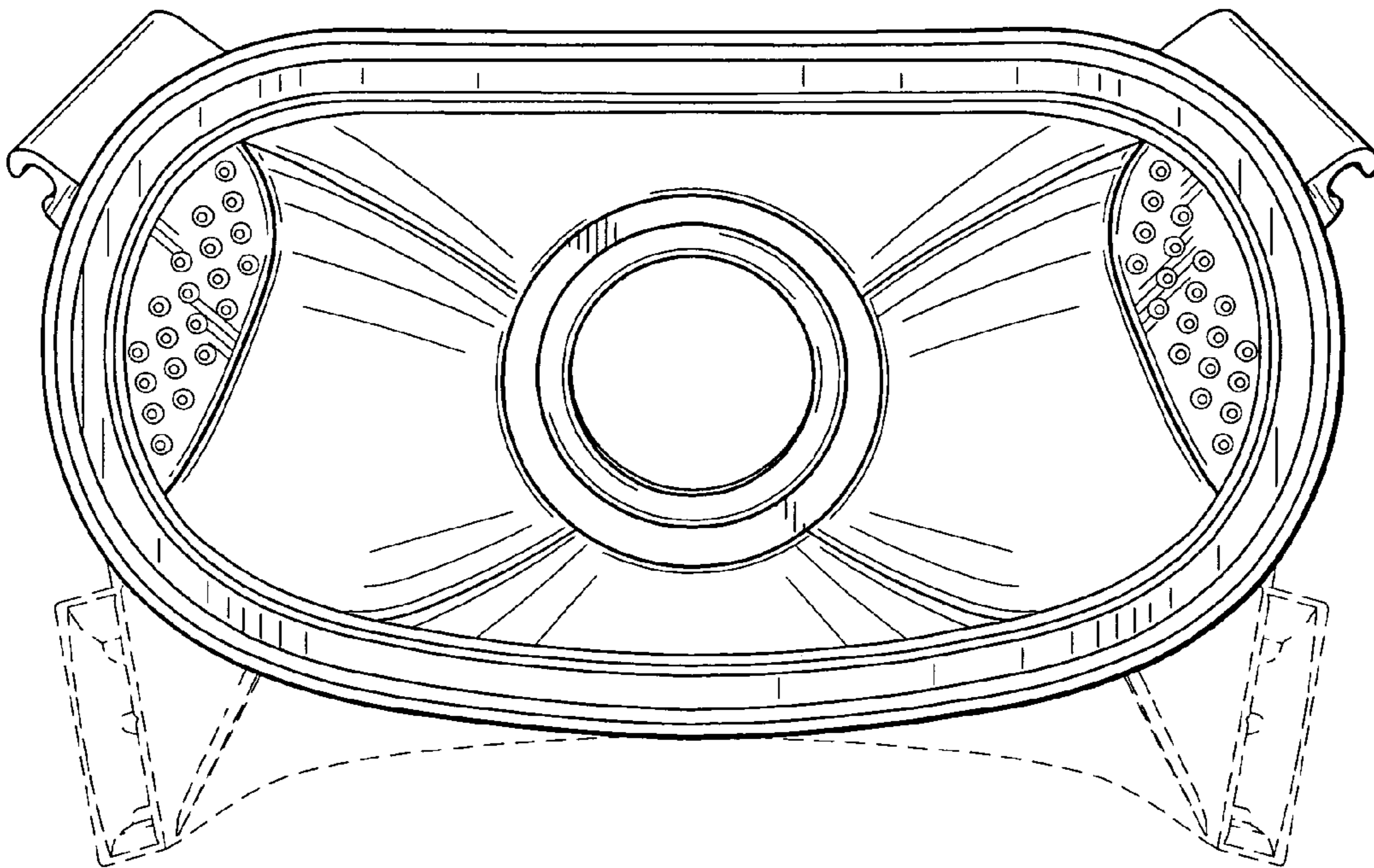


Fig. 4

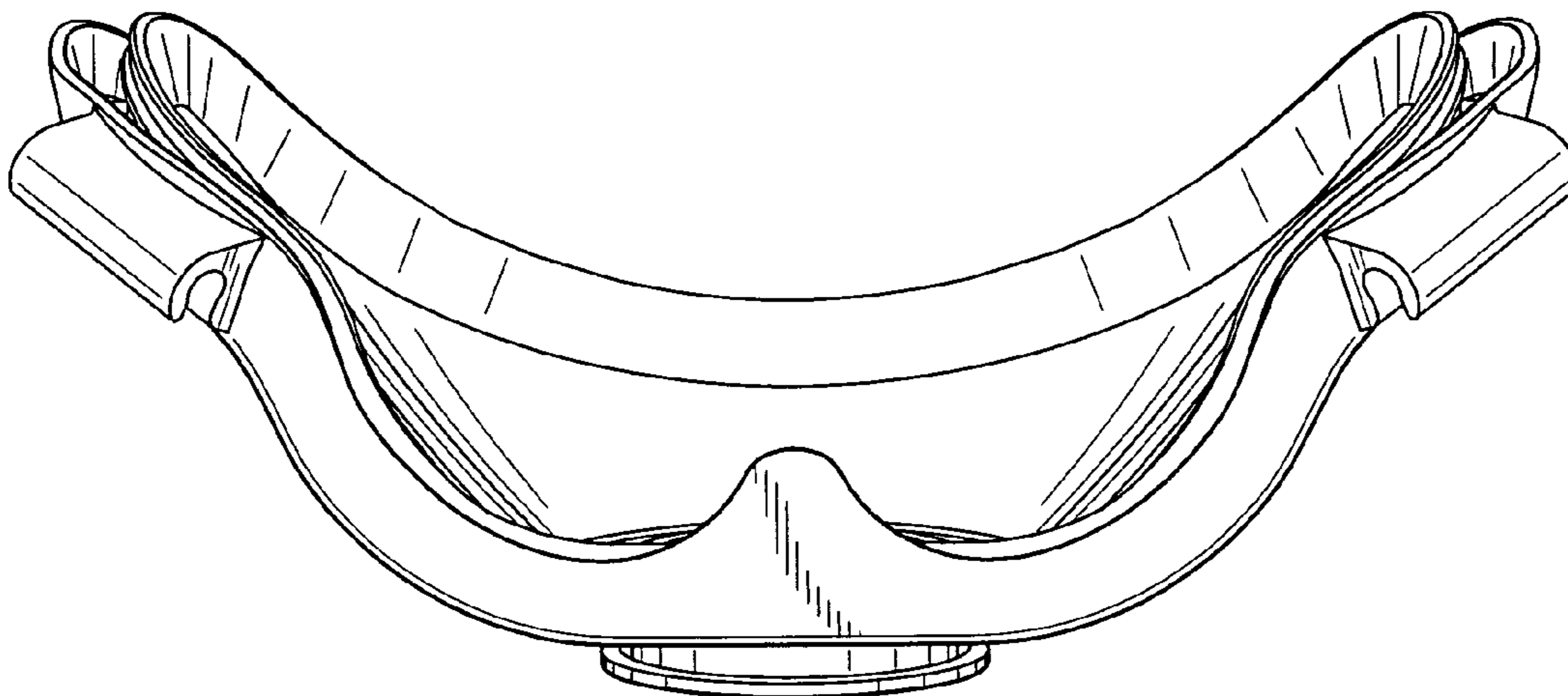


Fig. 5

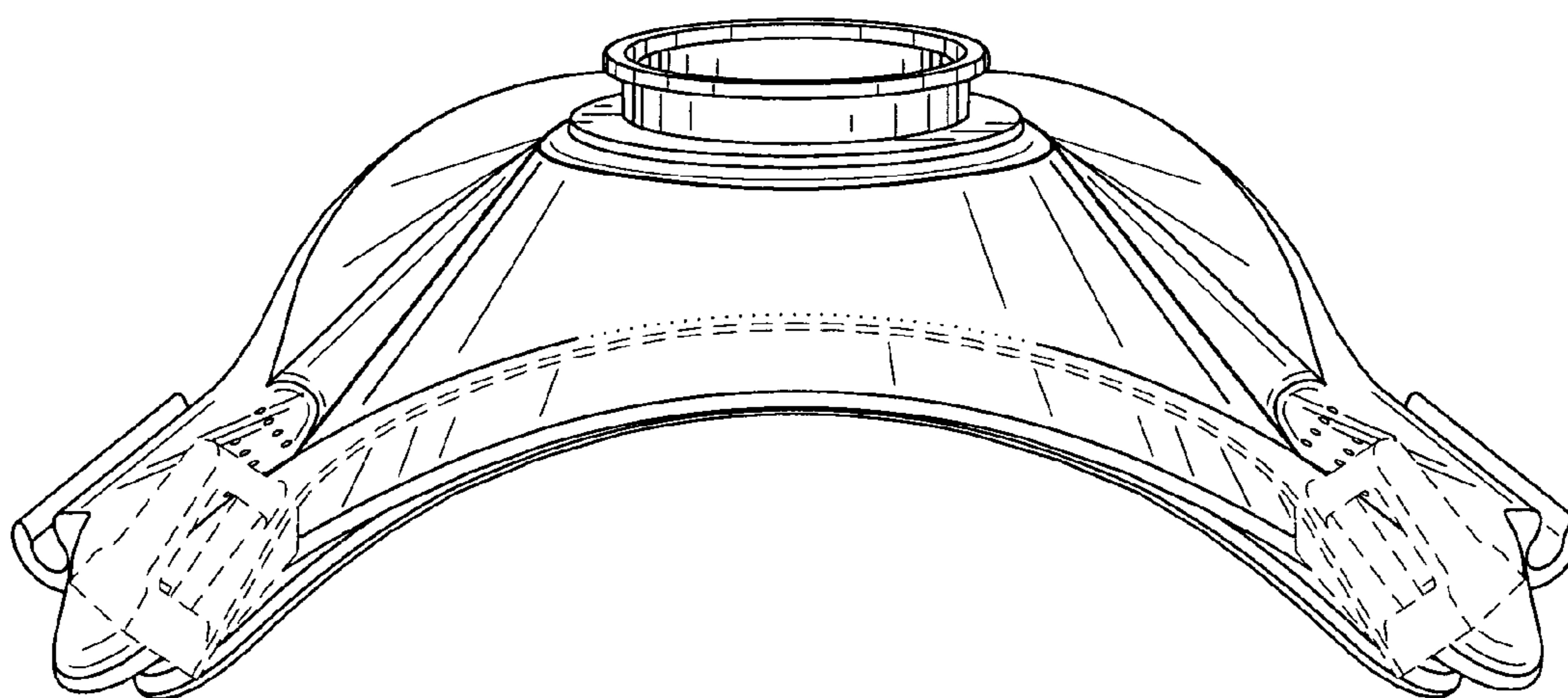


Fig. 6

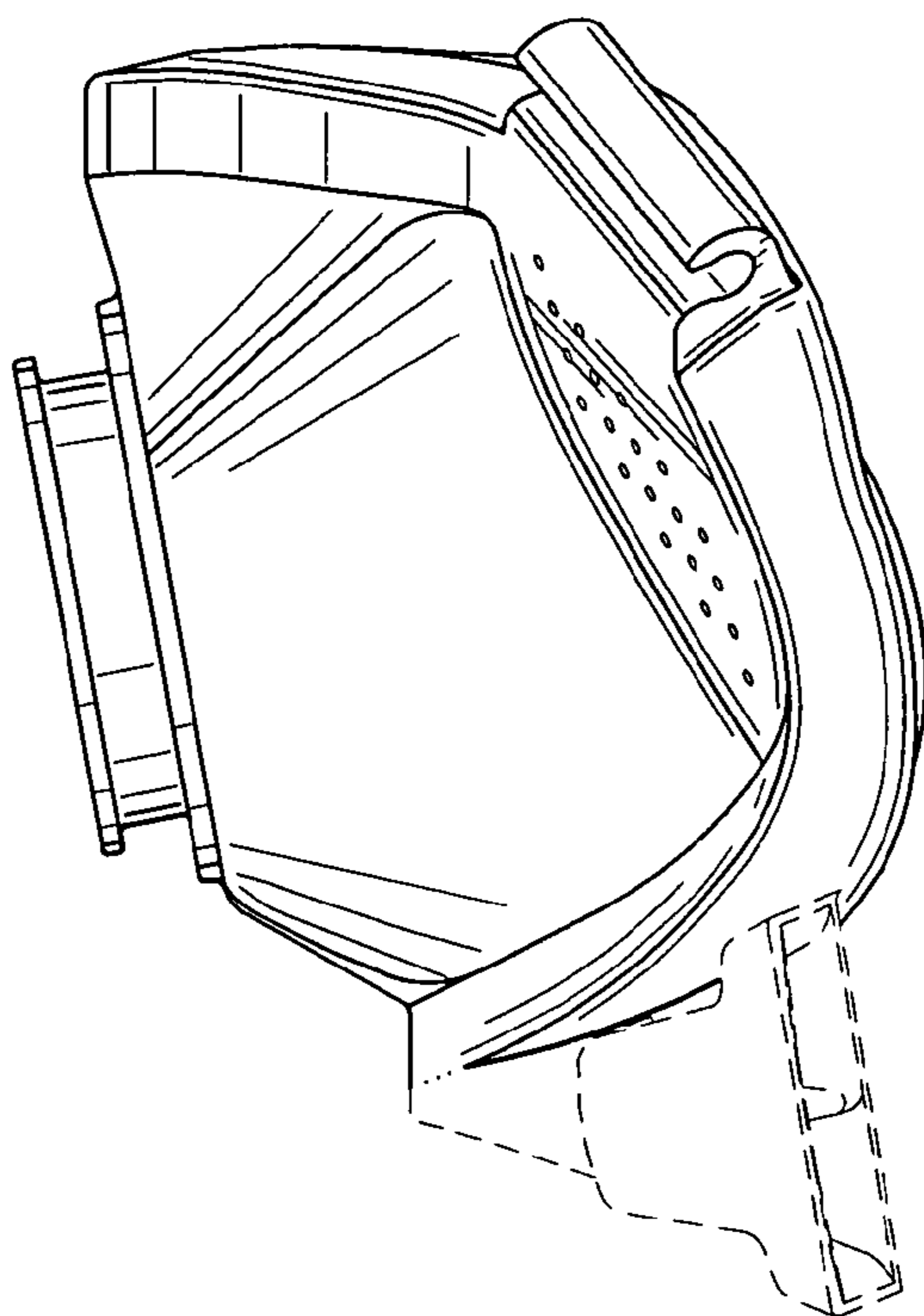


Fig. 7

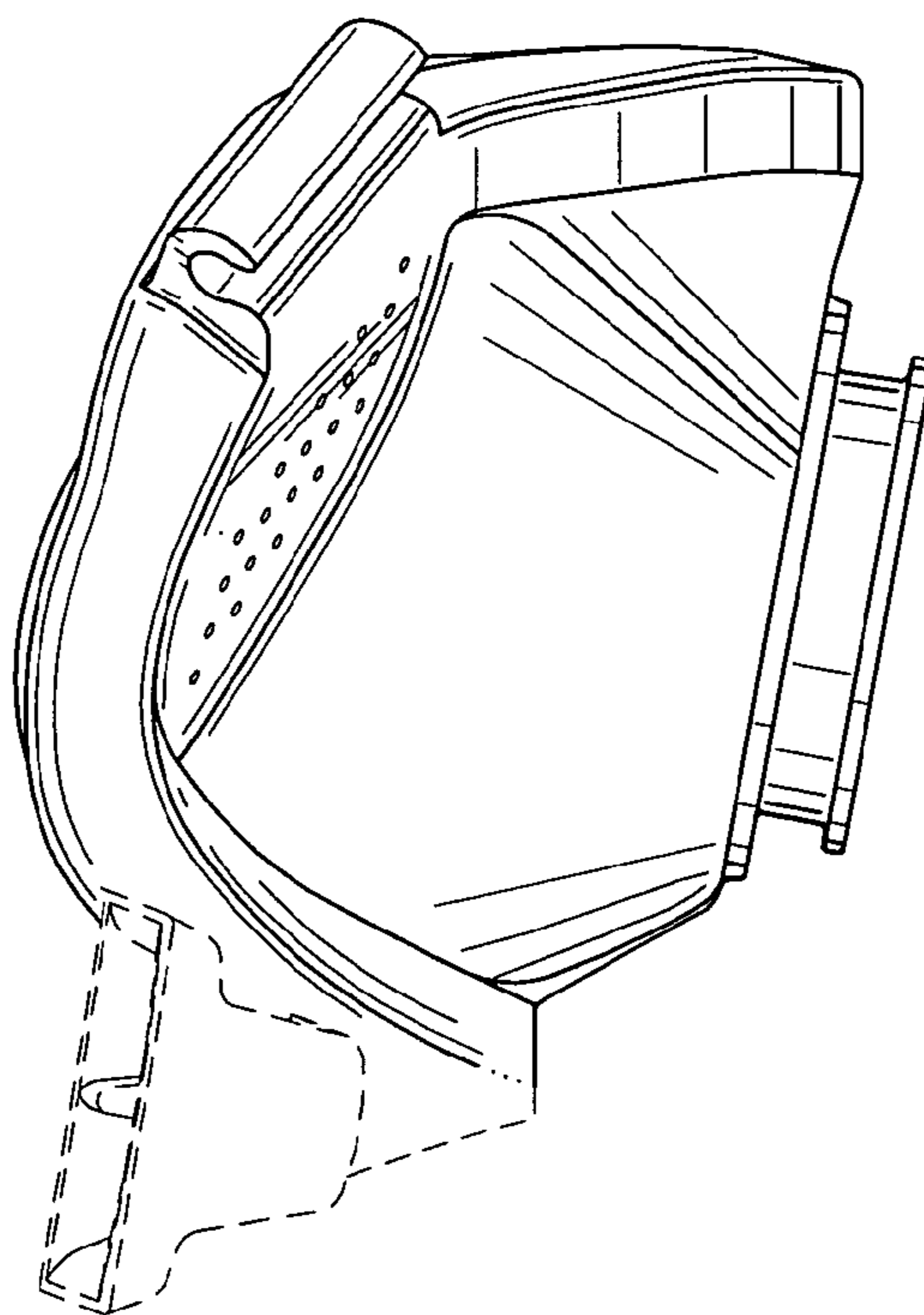


Fig. 8

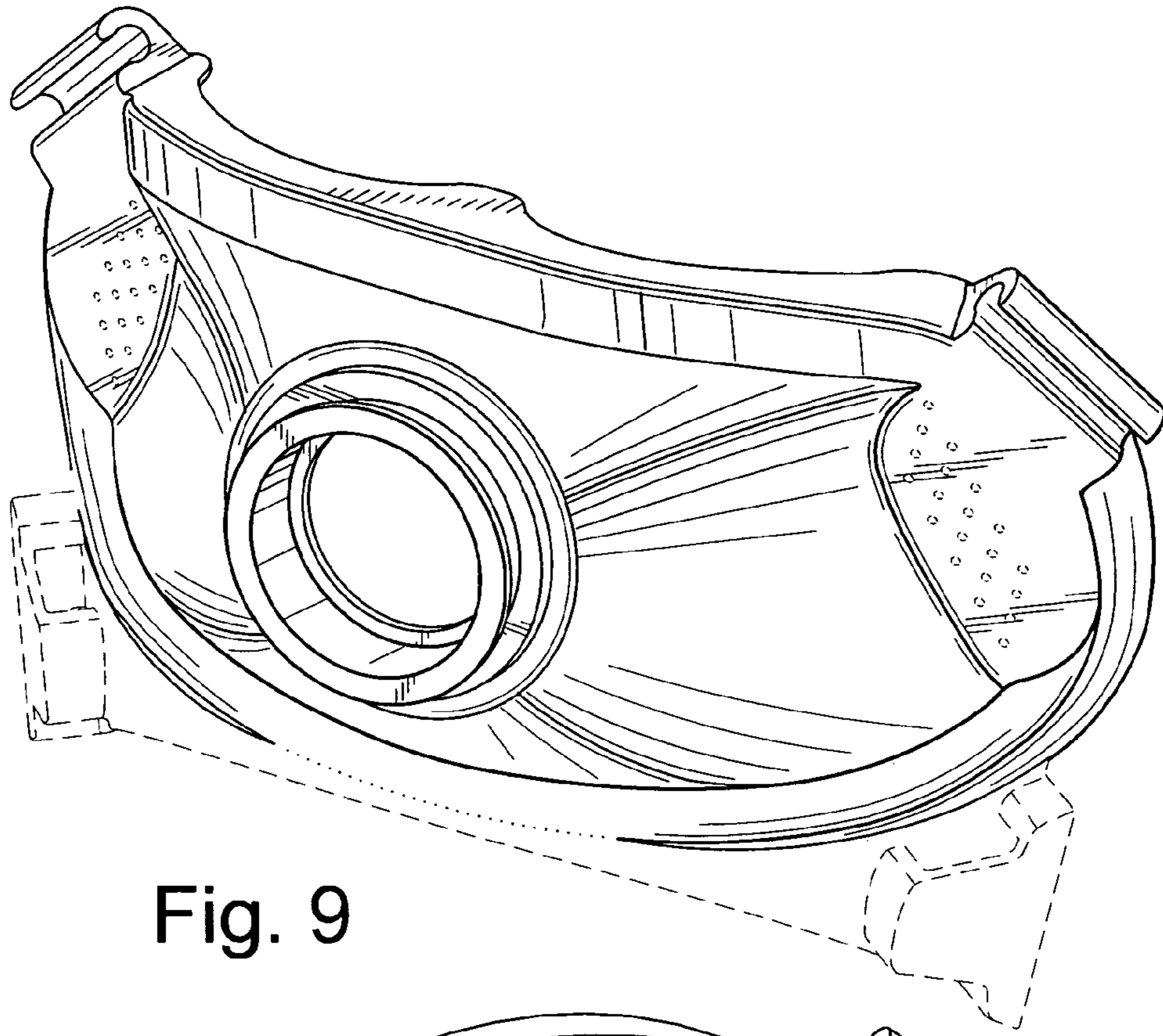


Fig. 9

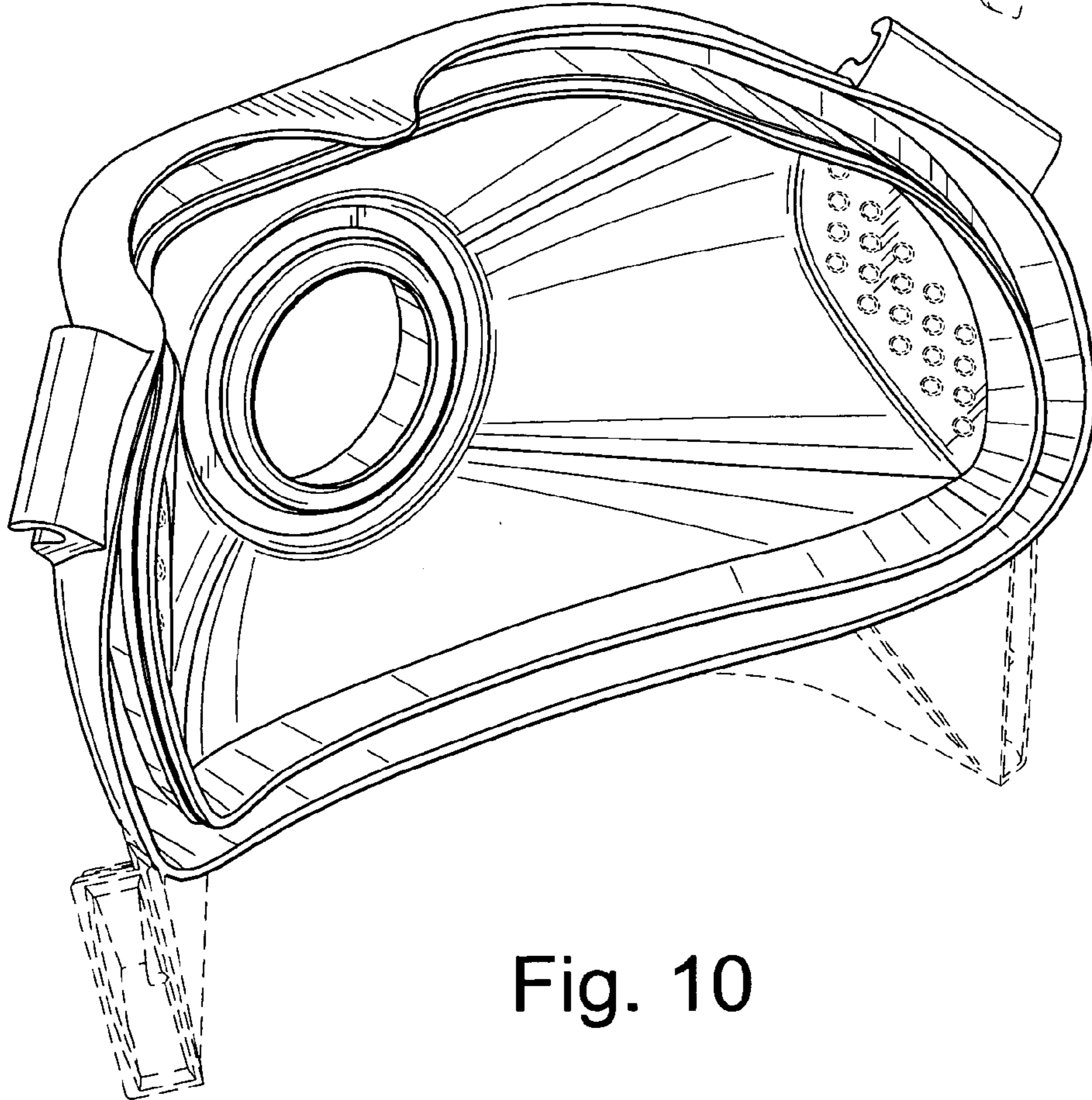


Fig. 10

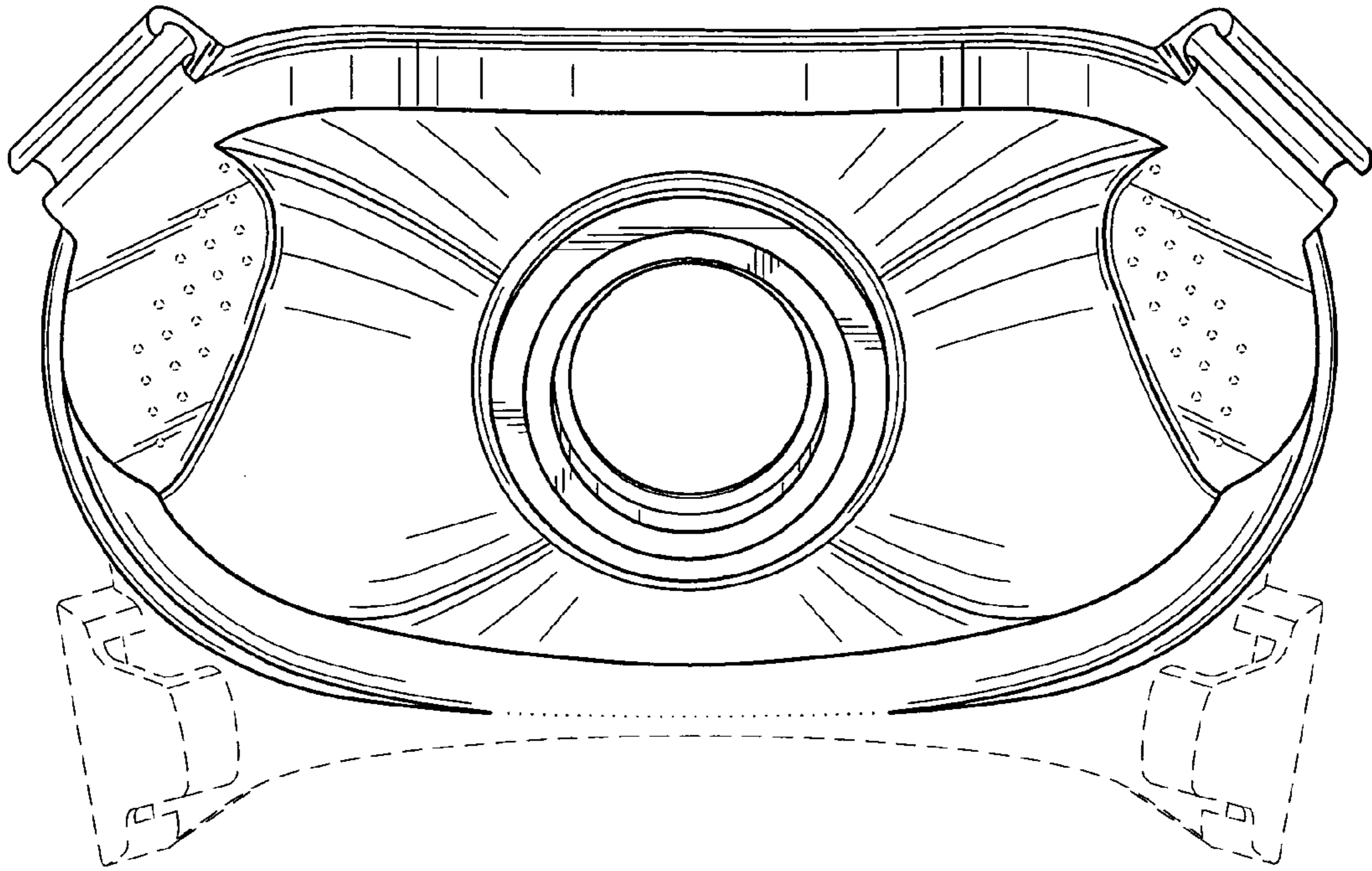


Fig. 11

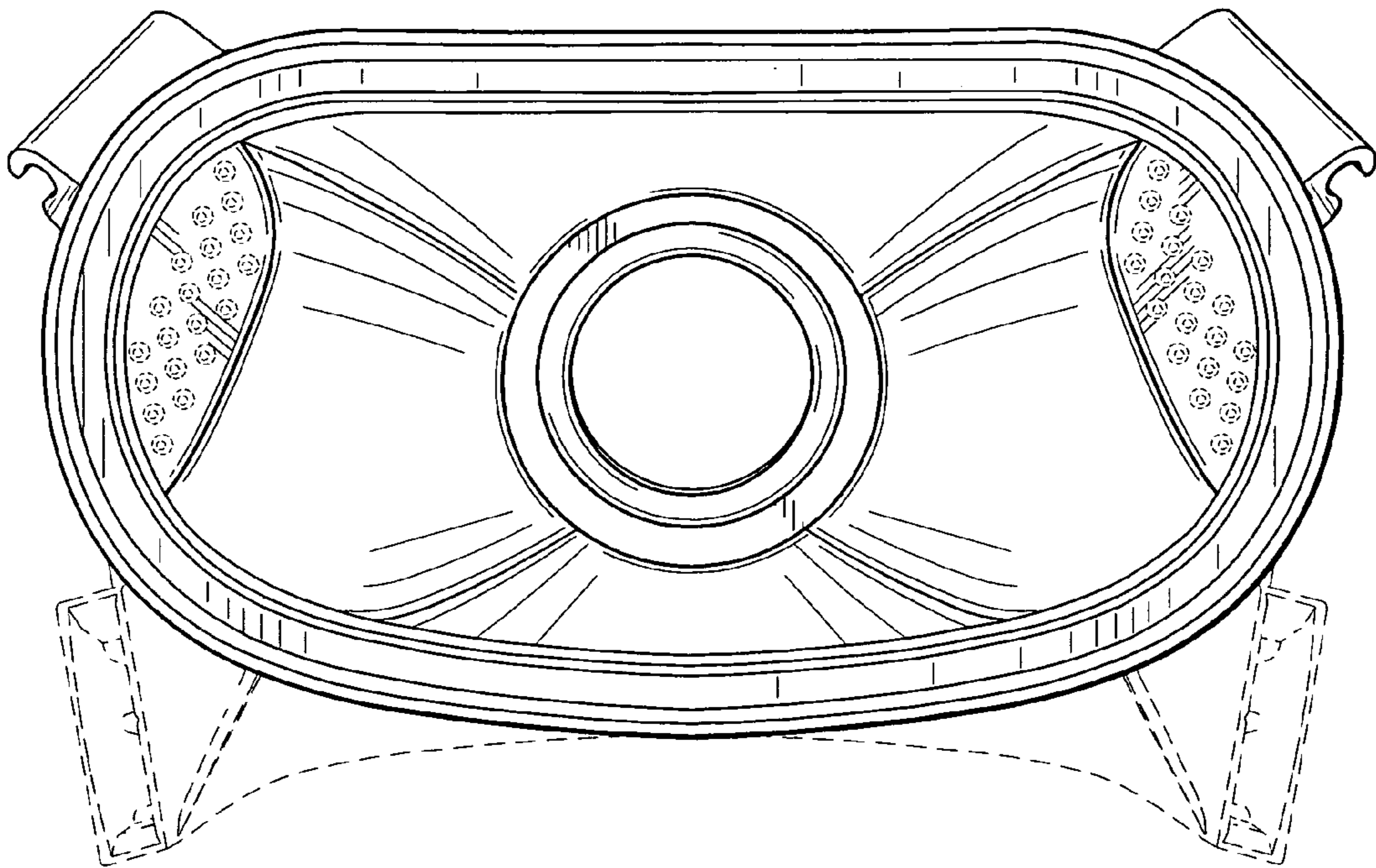


Fig. 12

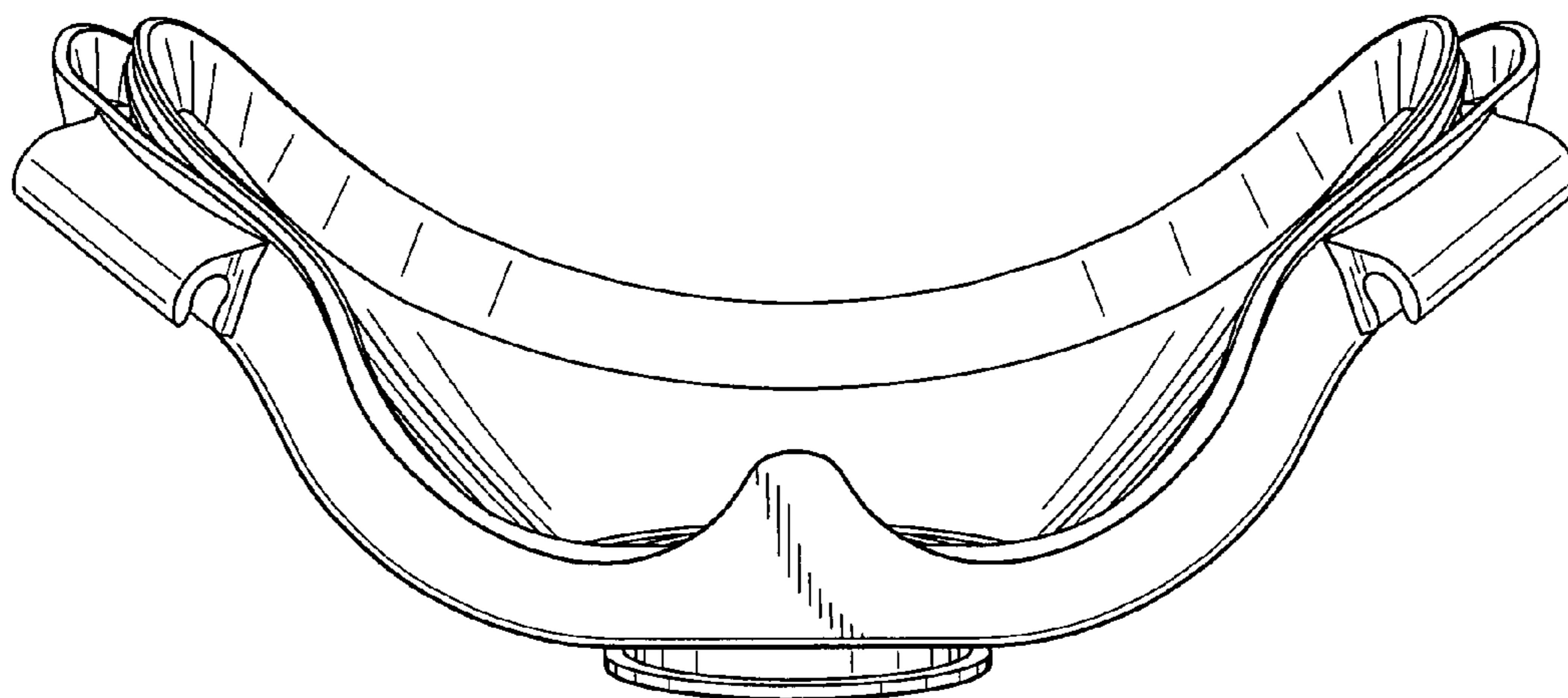


Fig. 13

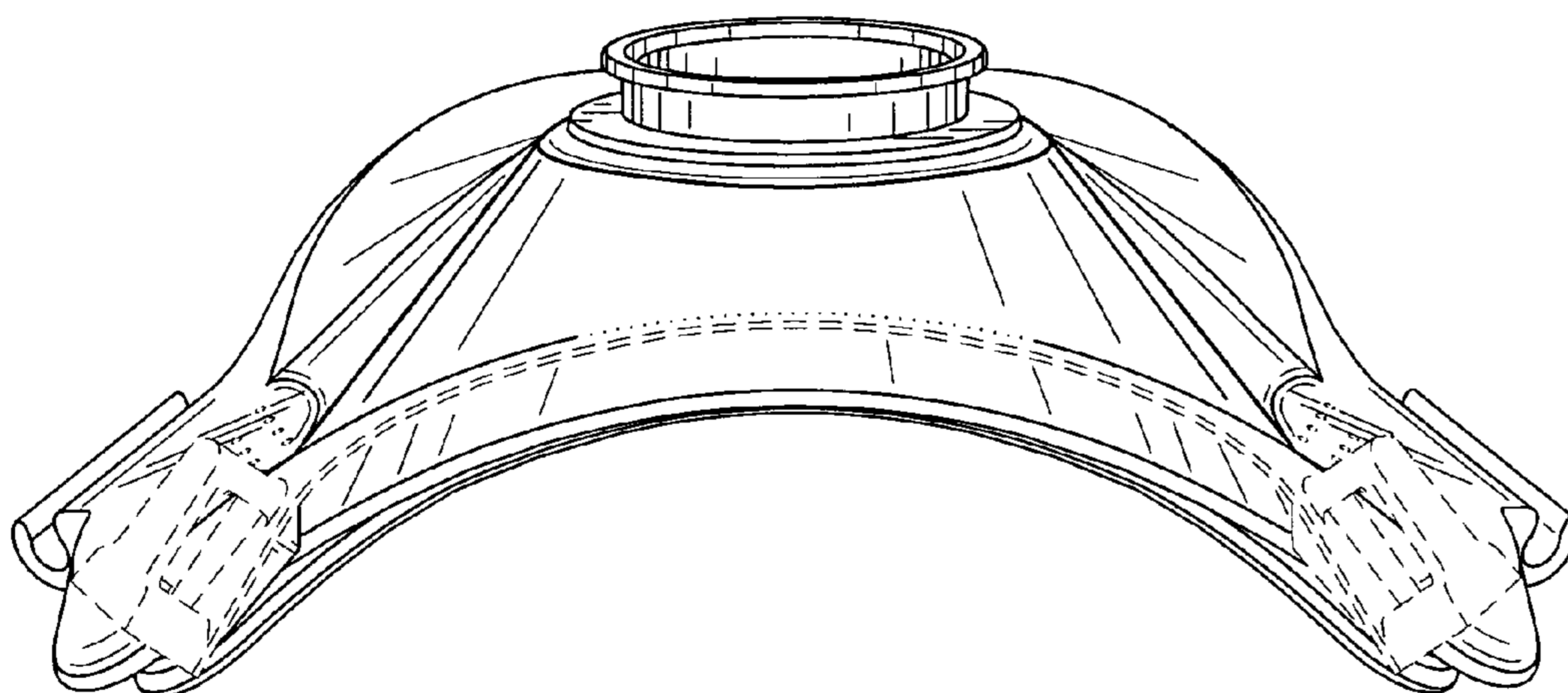


Fig. 14

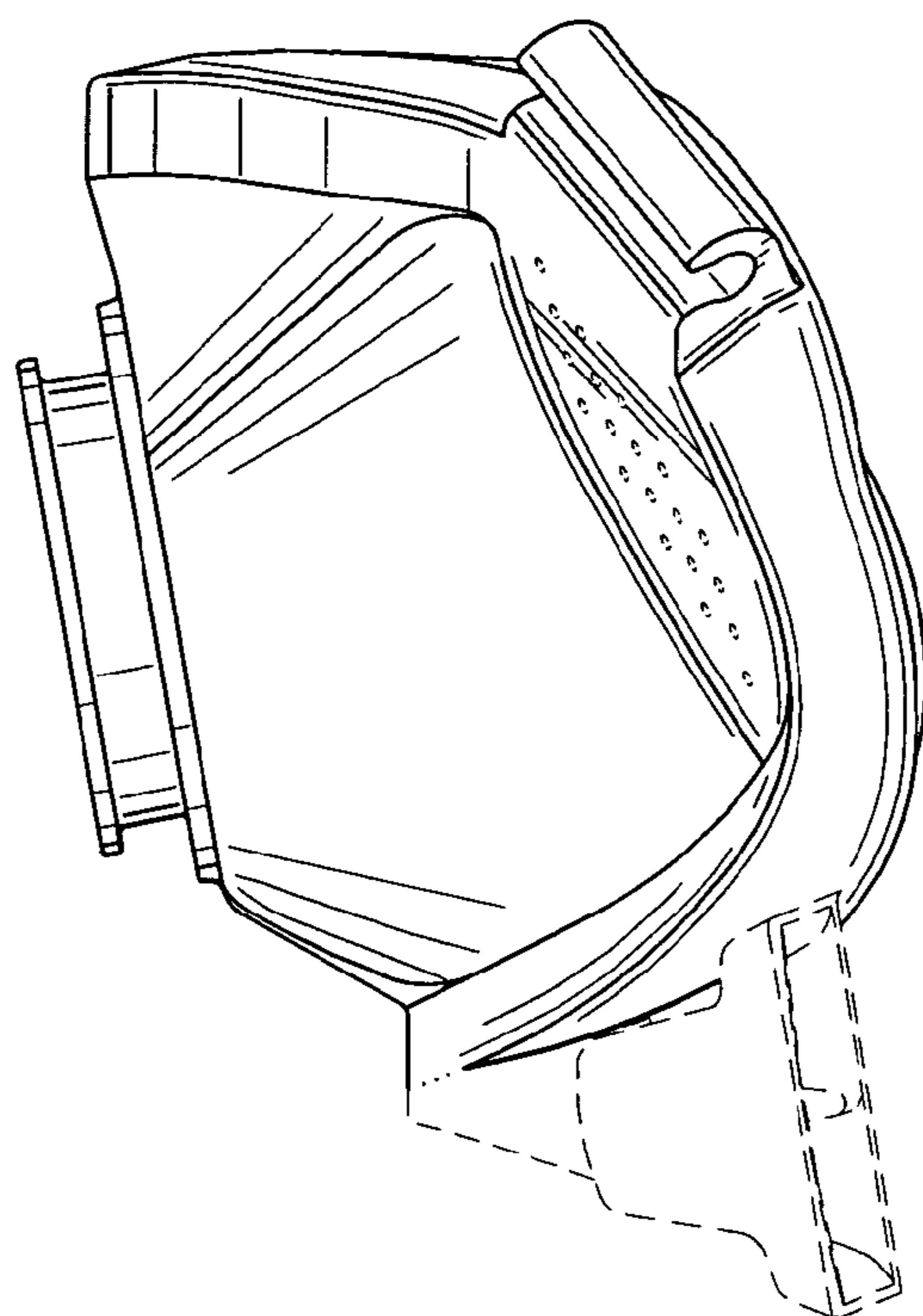


Fig. 15

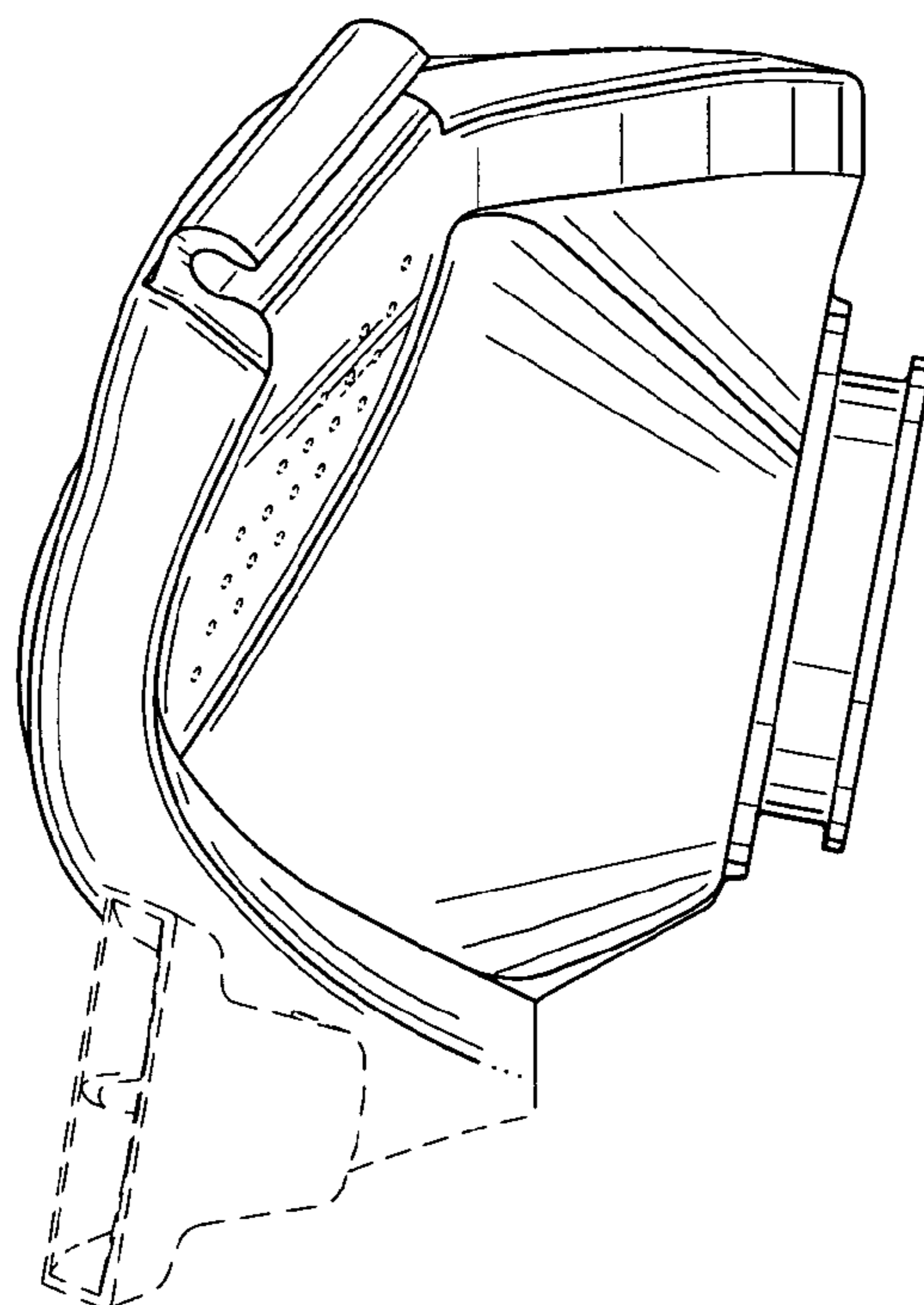


Fig. 16

UNITED STATES PATENT AND TRADEMARK OFFICE
CERTIFICATE OF CORRECTION

PATENT NO. : Des. 597,199 S
APPLICATION NO. : 29/258791
DATED : July 28, 2009
INVENTOR(S) : Smart et al.

Page 1 of 1

It is certified that error appears in the above-identified patent and that said Letters Patent is hereby corrected as shown below:

Title Page item (75) Inventors should read: **Gregory Scott Smart, Randwick (AU);
Alison Oldenburg, Crows Nest (AU);
Rupert Christian Scheiner, Davidson (AU)**

Signed and Sealed this

First Day of June, 2010

A handwritten signature in black ink that reads "David J. Kappos". The signature is written in a cursive, flowing style.

David J. Kappos
Director of the United States Patent and Trademark Office