



US00D597196S

(12) **United States Design Patent**  
**Ediger et al.**

(10) **Patent No.:** **US D597,196 S**  
(45) **Date of Patent:** **\*\* Jul. 28, 2009**

(54) **PANEL FAN**

(75) Inventors: **Glen W. Ediger**, North Newton, KS (US); **Gary P. Israel**, Andover, KS (US); **James G. Girard**, Boise, ID (US)

(73) Assignee: **Vornado Air LLC**, Andover, KS (US)

(\*\*) Term: **14 Years**

(21) Appl. No.: **29/324,169**

(22) Filed: **Sep. 8, 2008**

(51) **LOC (9) Cl.** ..... **23-04**

(52) **U.S. Cl.** ..... **D23/411**

(58) **Field of Classification Search** ..... D23/382,  
D23/381, 332, 370, 411, 412; 416/247 R,  
416/246

See application file for complete search history.

(56) **References Cited**

**U.S. PATENT DOCUMENTS**

D546,436 S *	7/2007	Chen	.....	D23/382
D565,721 S *	4/2008	Chen	.....	D23/382
D578,635 S *	10/2008	Chan	.....	D23/382

\* cited by examiner

*Primary Examiner*—Lisa P Lichtenstein

(74) *Attorney, Agent, or Firm*—David H. Milligan; Sean P. Connolly; Husch Blackwell Sanders LLP

(57) **CLAIM**

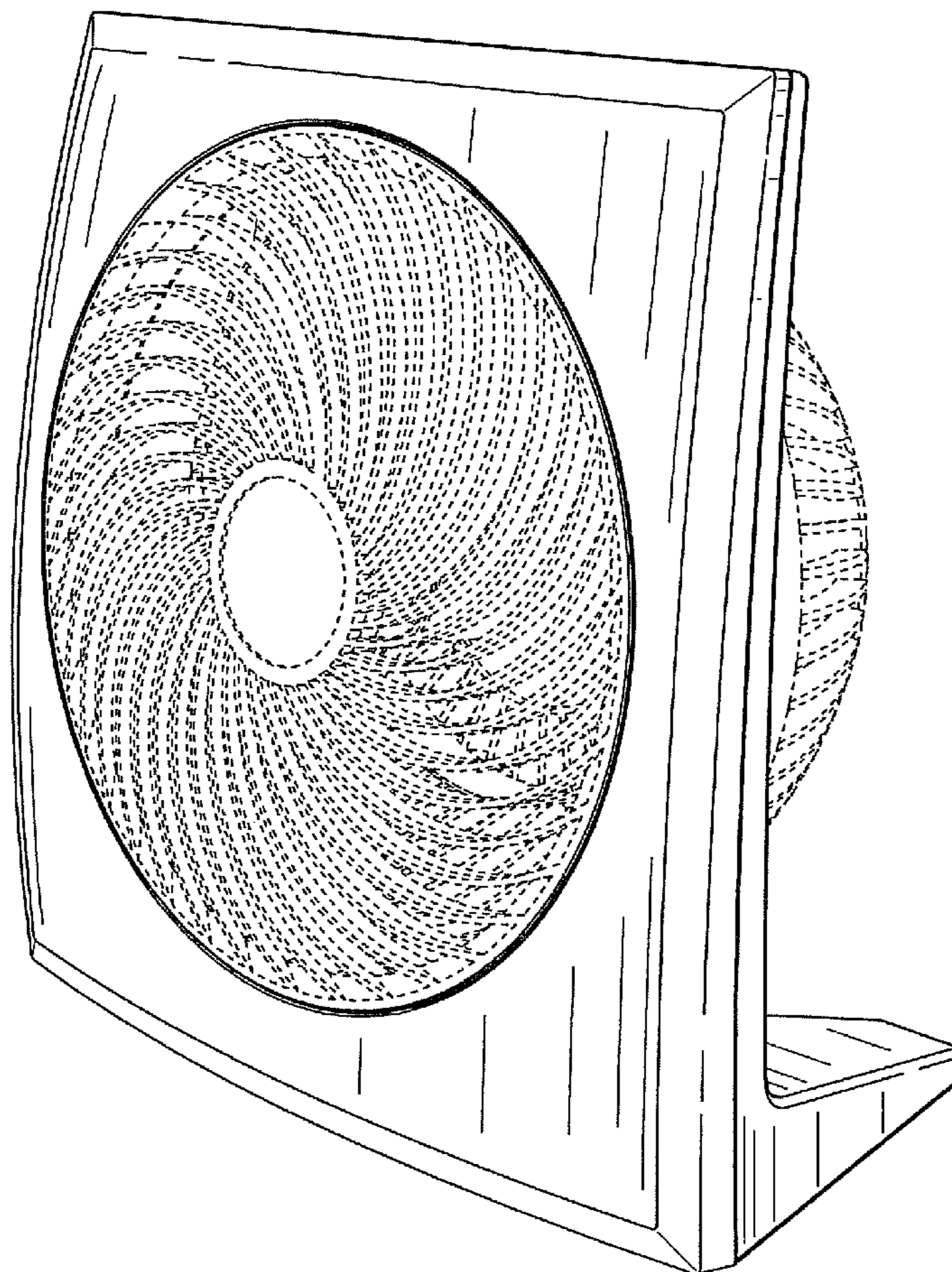
The ornamental design for a panel fan, as shown and described.

**DESCRIPTION**

FIG. 1 is a perspective view of the panel fan;  
FIG. 2 is a rear plan view of the panel fan of FIG. 1;  
FIG. 3 is a bottom plan view of the panel fan of FIG. 1;  
FIG. 4 is a front plan view of the panel fan of FIG. 1;  
FIG. 5 is a right plan view of the panel fan of FIG. 1;  
FIG. 6 is a left plan view of the panel fan of FIG. 1; and,  
FIG. 7 is a top plan view of the panel fan of FIG. 1.

The broken line showing of portions of a fan is included for the purpose of illustrating environmental structure and forms no part of the claimed design.

**1 Claim, 7 Drawing Sheets**



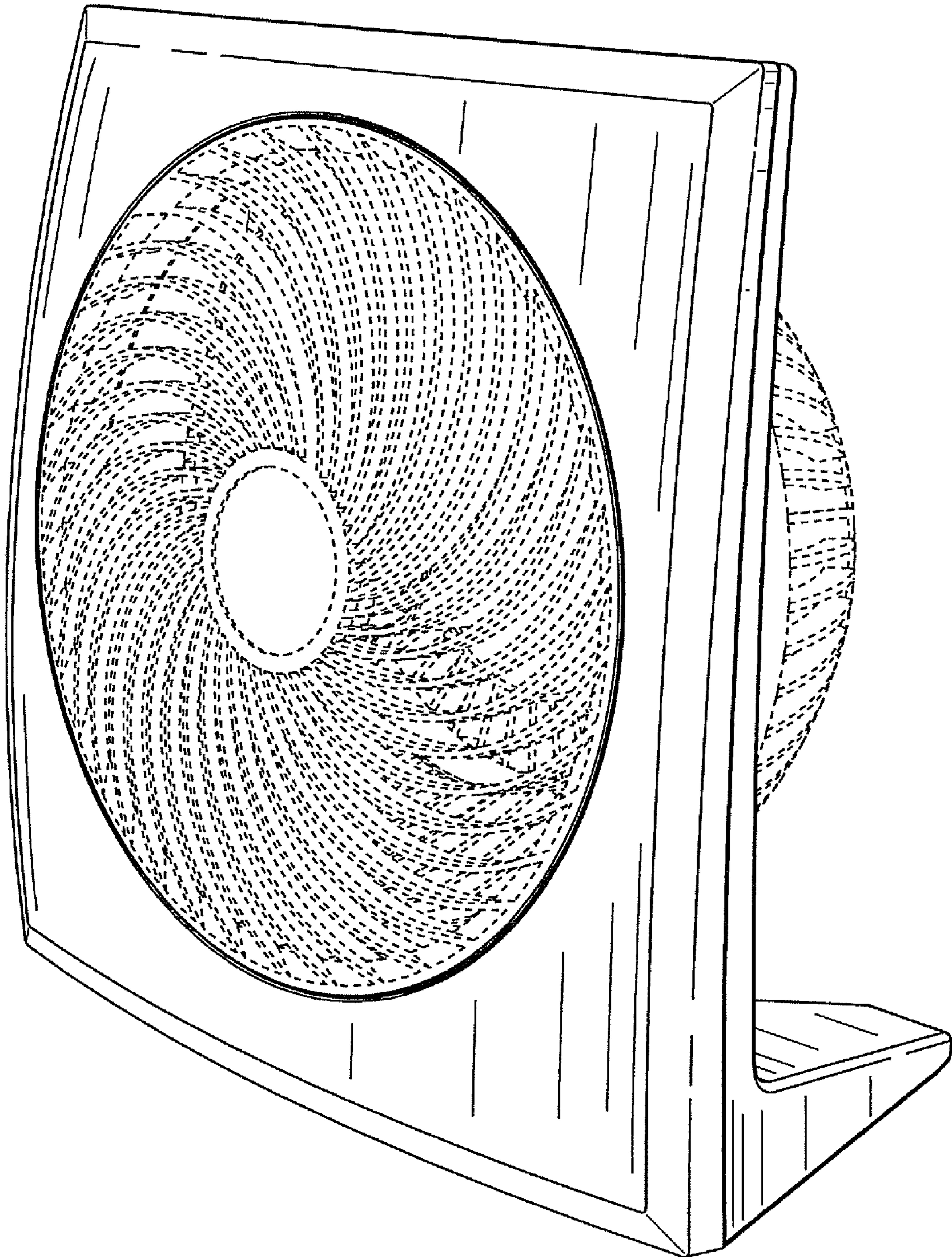


FIG. 1

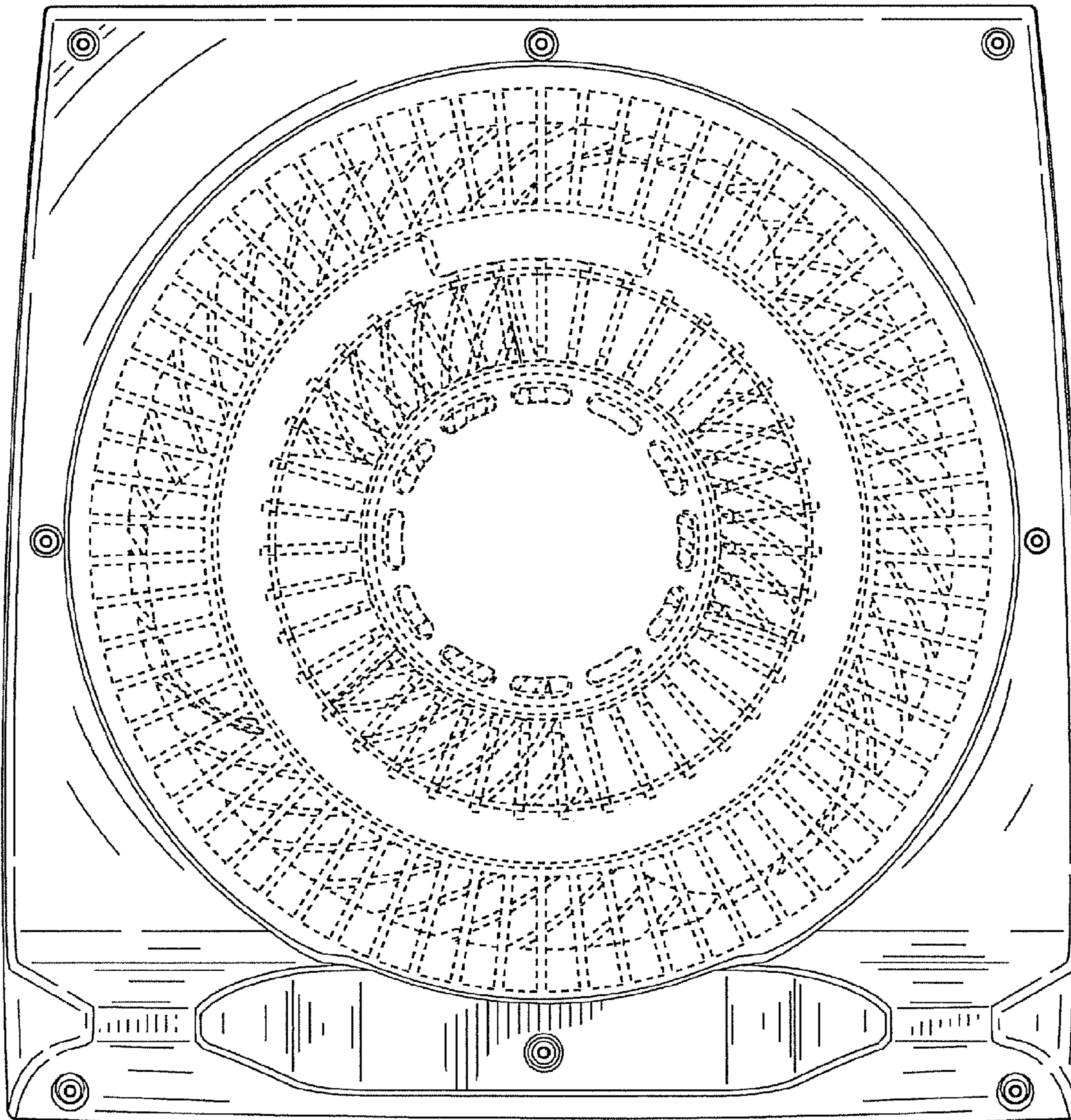


FIG. 2

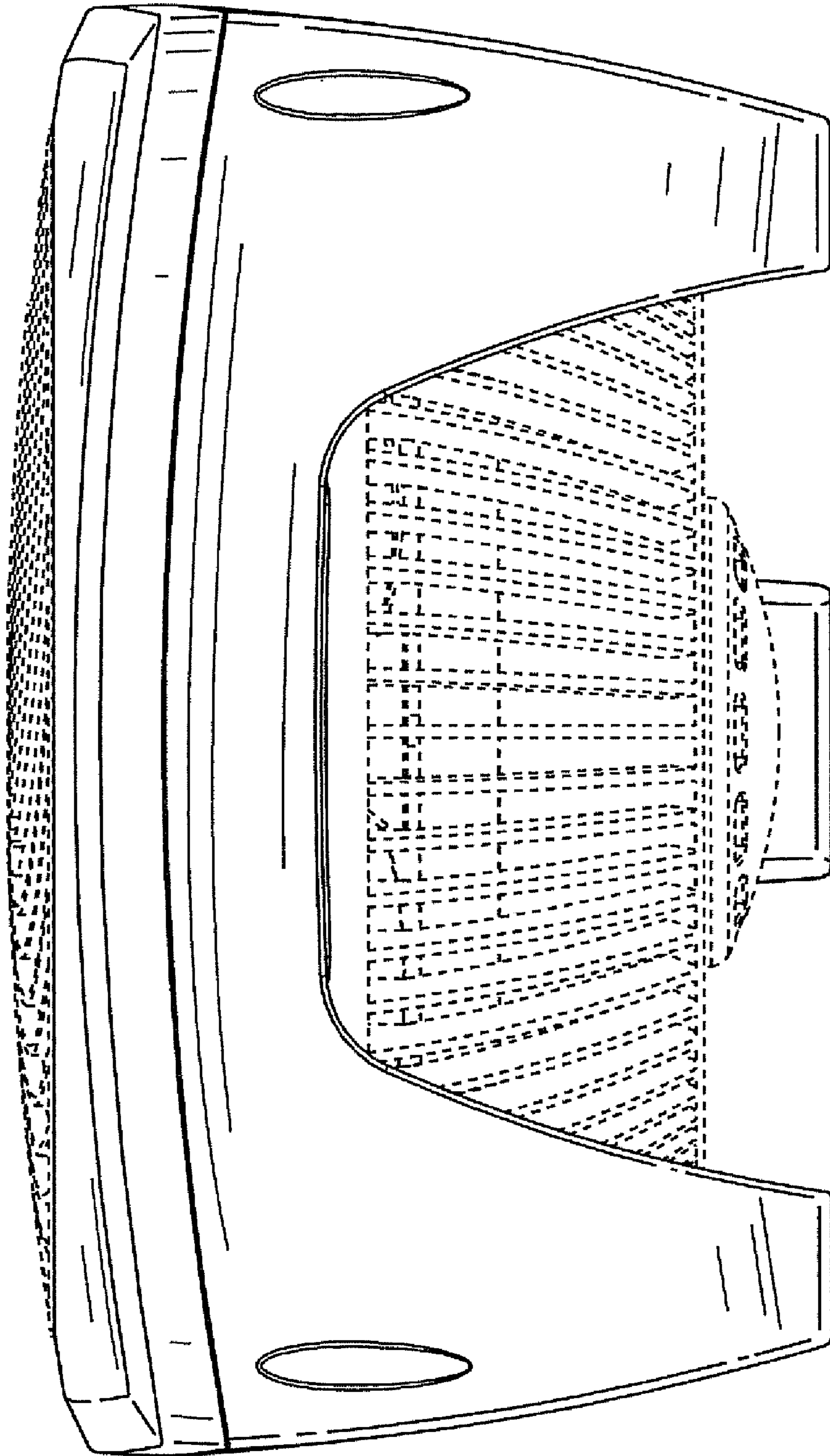


FIG. 3

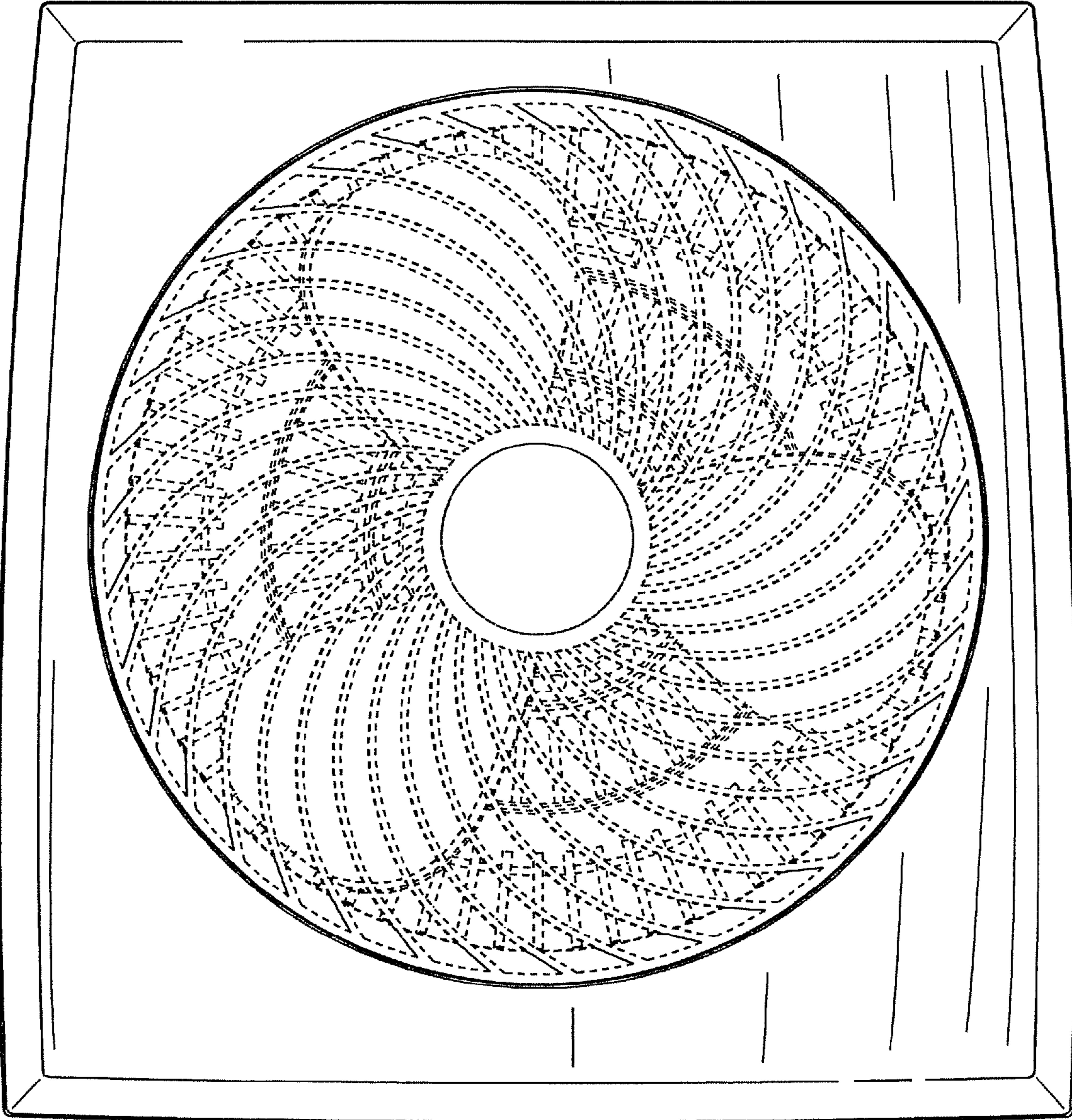


FIG. 4

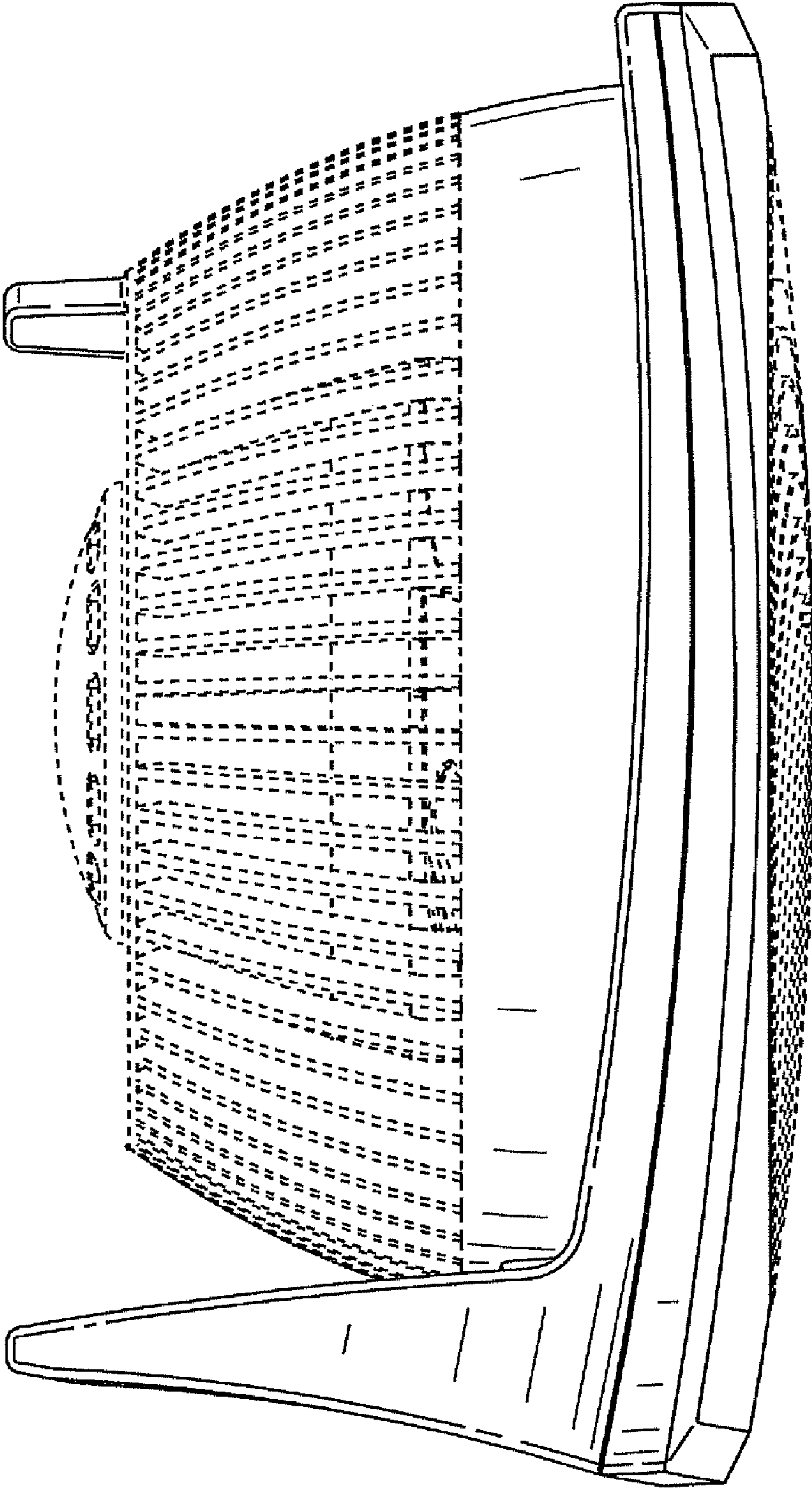


FIG. 5

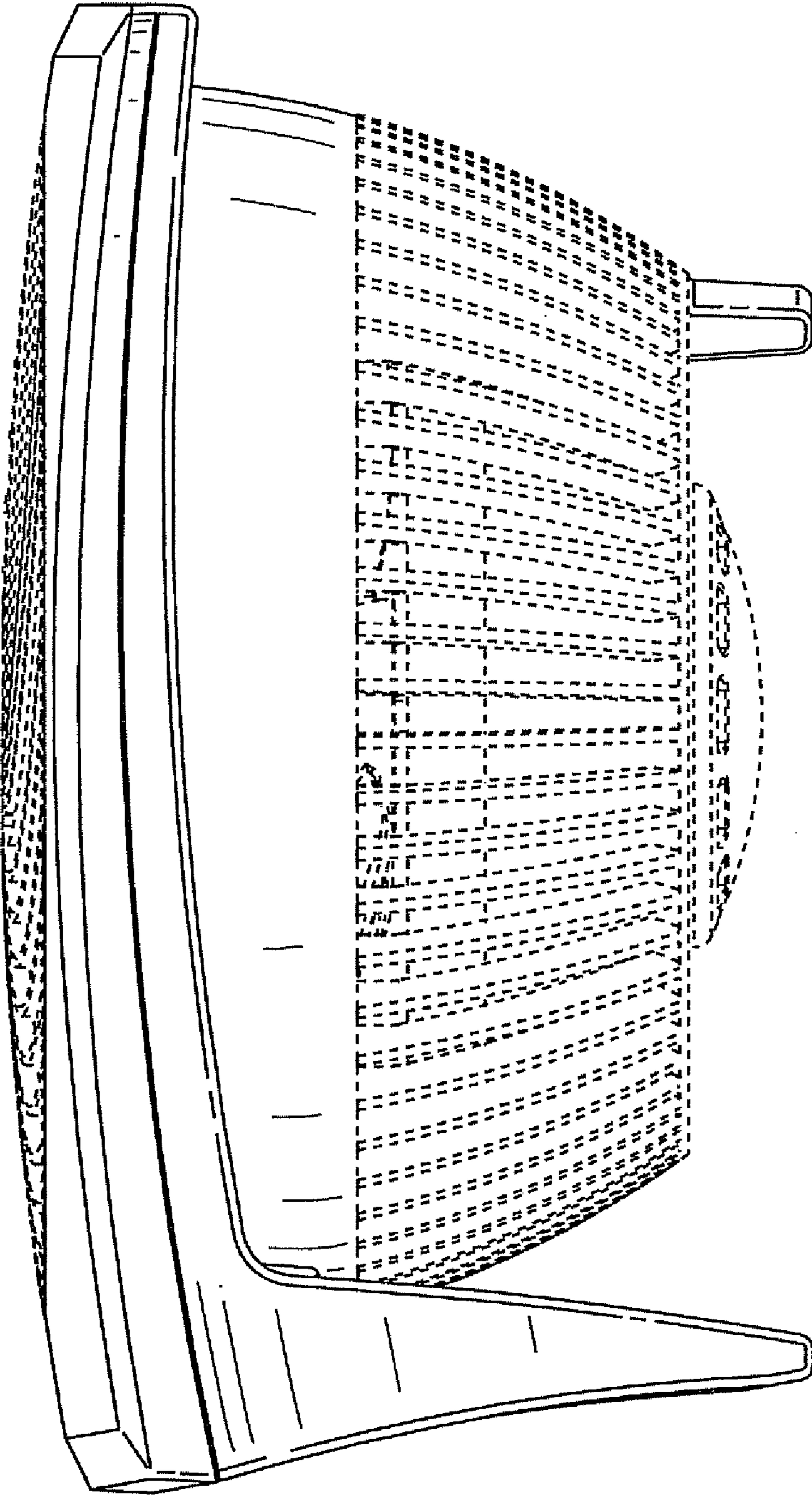


FIG. 6

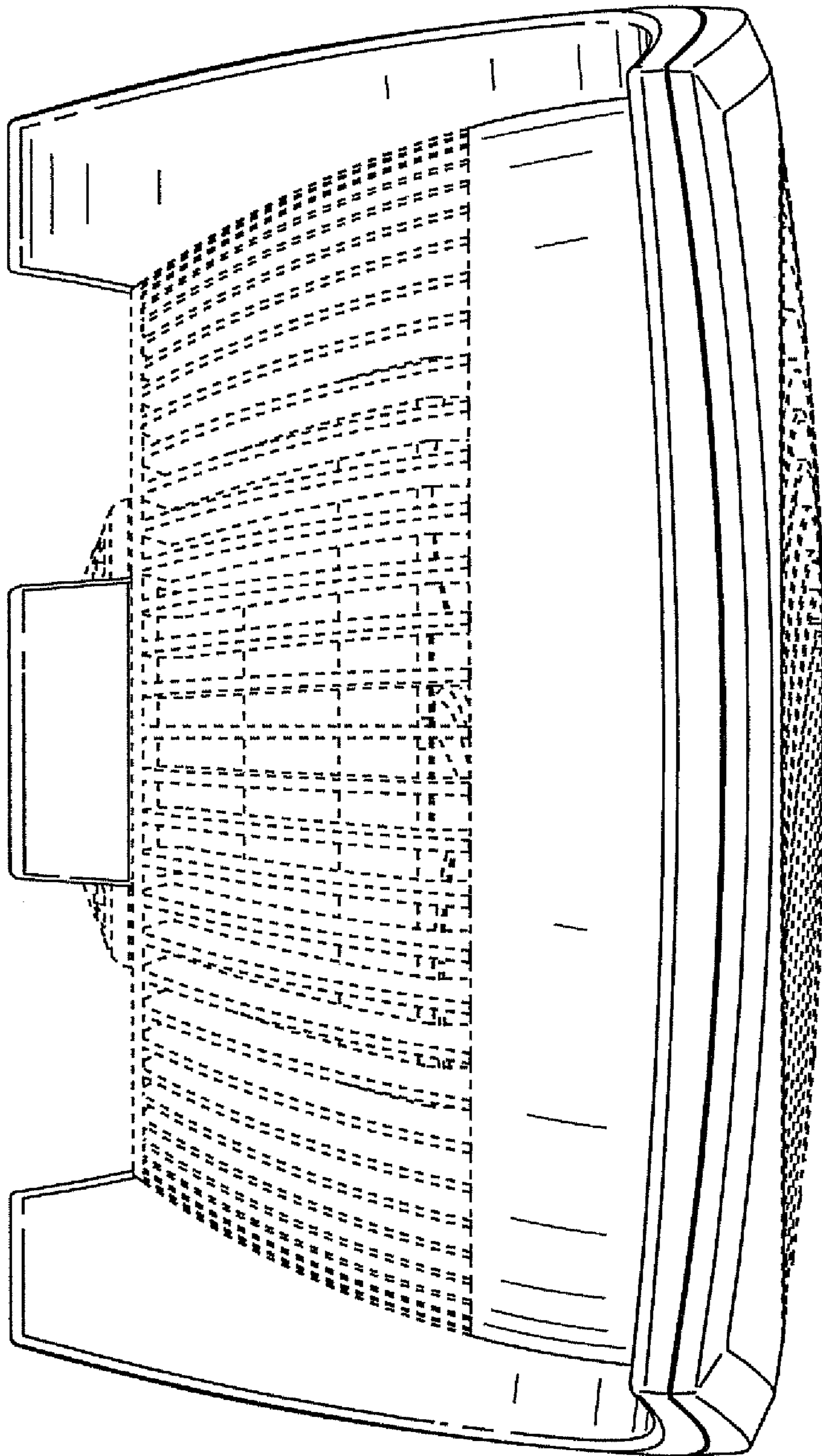


FIG. 7