



US00D597194S

(12) **United States Design Patent**
Fattori et al.

(10) **Patent No.:** **US D597,194 S**
(45) **Date of Patent:** **** Jul. 28, 2009**

(54) **FLOW RESTRICTING MEMBER**

2004/0072536 A1* 4/2004 Charron 454/276

(75) Inventors: **James G. Fattori**, Trevoise, PA (US);
Francis E. Loftus, Richboro, PA (US);
Benjamin N. Steltzer, Belmar, NJ (US)

* cited by examiner

Primary Examiner—T. Chase Nelson
Assistant Examiner—David G Muller

(73) Assignee: **LMT Mercer Group Inc.**,
Lawrenceville, NJ (US)

(74) *Attorney, Agent, or Firm*—Sperry, Zoda & Kane

(**) Term: **14 Years**

(57) **CLAIM**

(21) Appl. No.: **29/291,644**

The ornamental design for a flow restricting member, as shown and described.

(22) Filed: **Sep. 7, 2007**

DESCRIPTION

(51) **LOC (9) Cl.** **23-04**

FIG. 1 is a front perspective view embodying our new design shown in positioned adjacent environmental structure in dotted outline;

(52) **U.S. Cl.** **D23/387**

(58) **Field of Classification Search** D23/397,
D23/386–393, 395, 370, 402, 403, 260, 261;
454/309, 275–277, 284, 287–291
See application file for complete search history.

FIG. 2 is a top plan view of the embodiment shown in FIG. 1;

FIG. 3 is a side plan view of the embodiment shown in FIG. 1 viewed from the left and shown at a larger scale;

(56) **References Cited**

U.S. PATENT DOCUMENTS

4,471,757	A *	9/1984	Rogers	D23/403
D279,601	S *	7/1985	Sexton	D23/388
D338,713	S *	8/1993	Cox et al.	D23/386
D339,415	S *	9/1993	Kiras	D23/397
D351,903	S *	10/1994	Whitley, II	D23/388
D377,389	S *	1/1997	Phillips et al.	D23/261
D379,502	S *	5/1997	Landau	D23/388
D416,997	S *	11/1999	Prouty et al.	D23/397
D423,661	S *	4/2000	Pelonis	D23/395
D508,286	S *	8/2005	Castellanos	D23/393
D517,191	S *	3/2006	Berger	D23/388
D518,566	S *	4/2006	Bratton et al.	D23/388

FIG. 4 is a front plan view of the embodiment shown in FIG. 1;

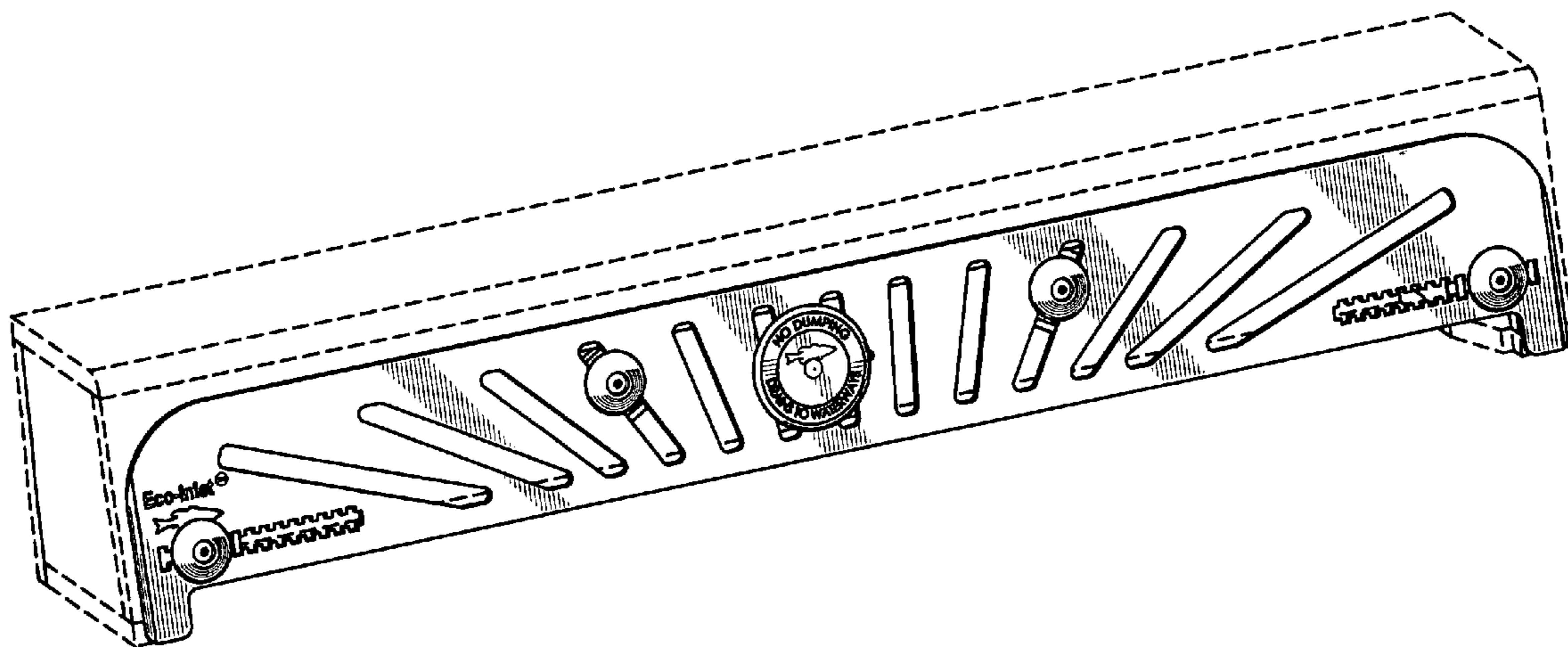
FIG. 5 is a side plan view of the embodiment shown in FIG. 1 when viewed from the right and shown at a larger scale.

FIG. 6 is a rear plan view of the embodiment shown in FIG. 1; and,

FIG. 7 is a bottom plan view of the embodiment shown in FIG. 1.

The broken line showing of parts of the drawings is included for the purpose of illustrating use and environment and forms no part of the claimed design.

1 Claim, 2 Drawing Sheets



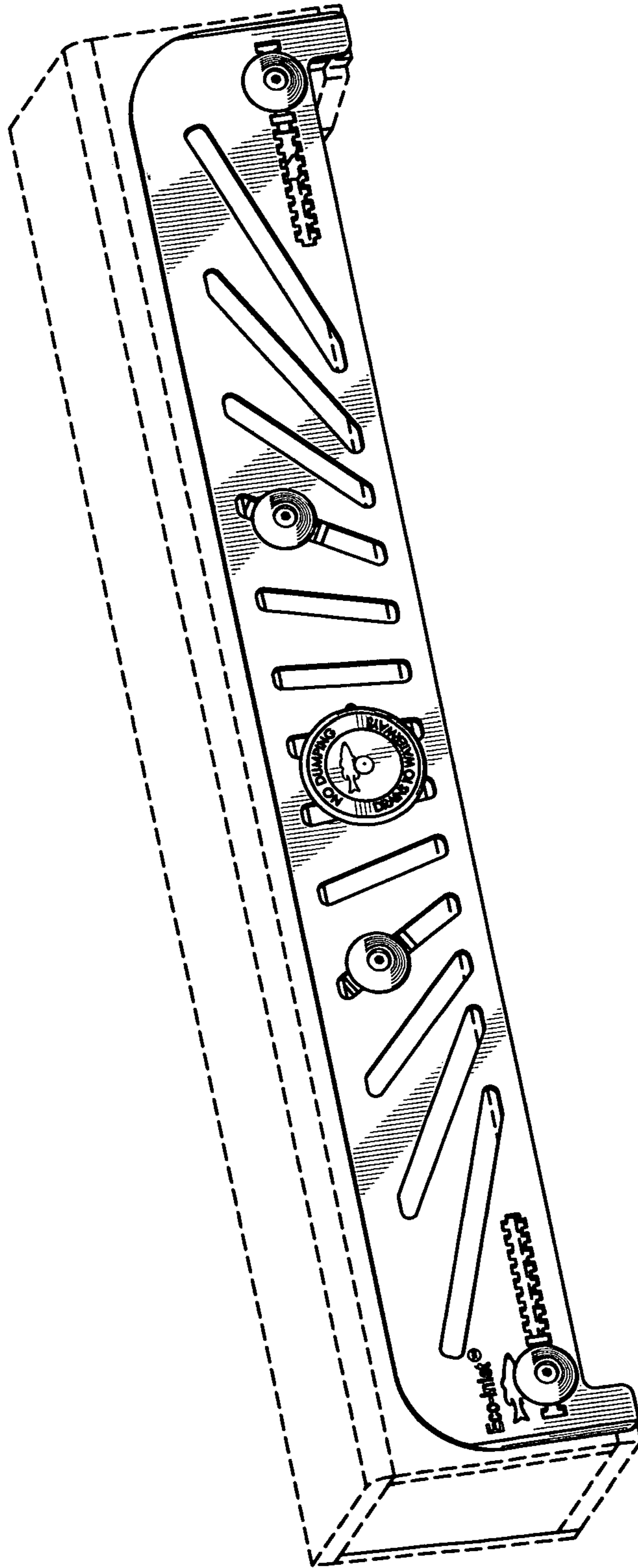


FIG. 1



FIG. 2

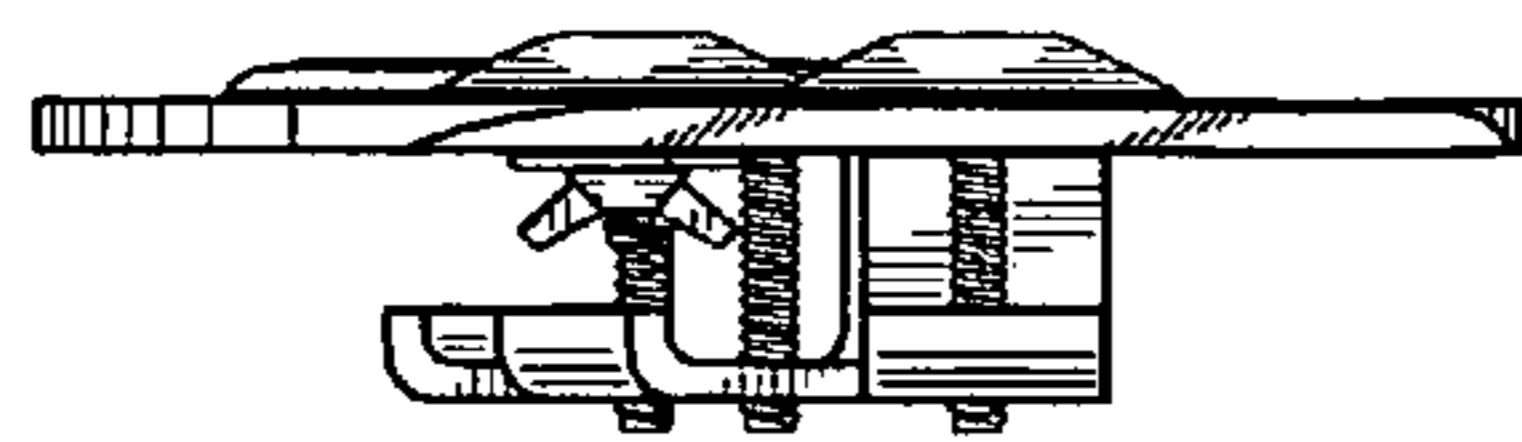


FIG. 3

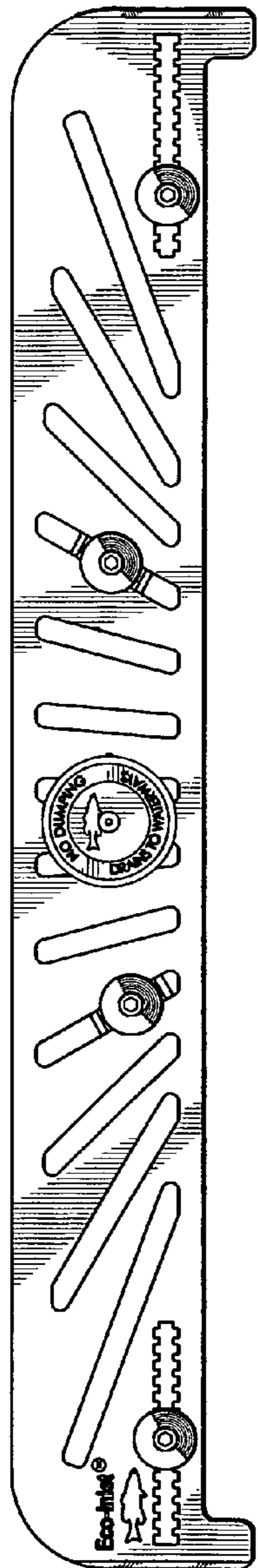


FIG. 4

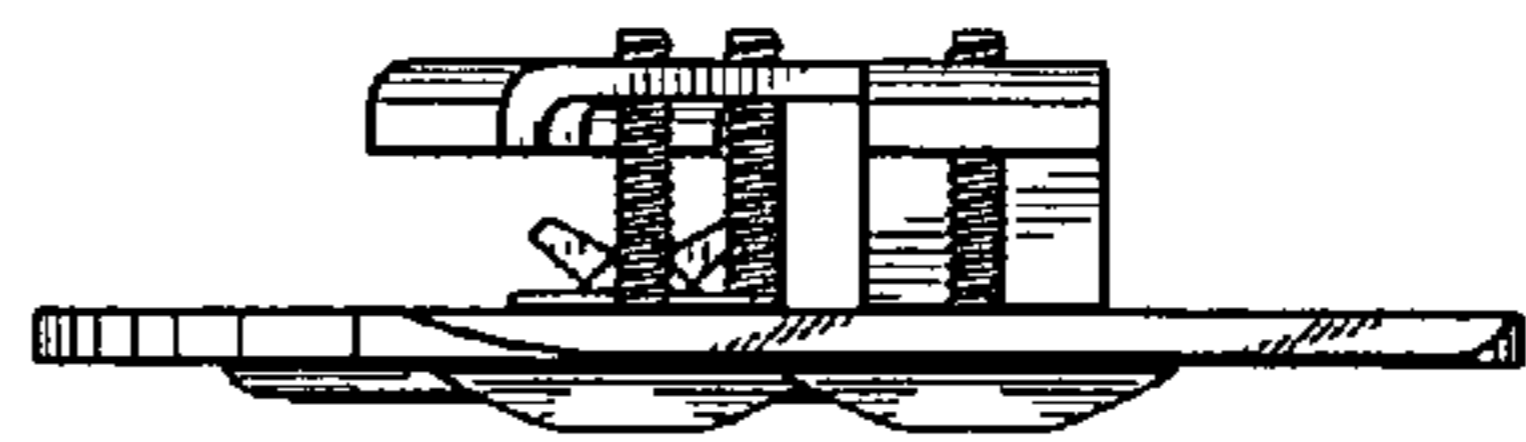


FIG. 5

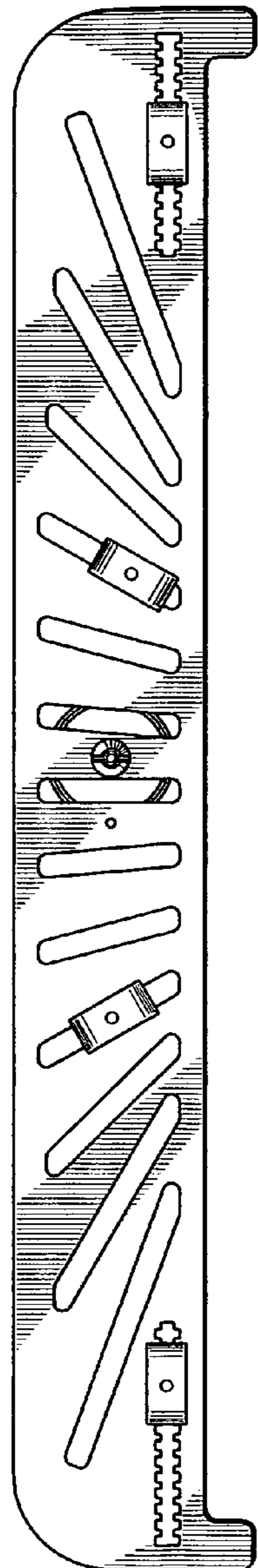


FIG. 6



FIG. 7