



US00D597193S

(12) **United States Design Patent**
Reuter

(10) **Patent No.:** **US D597,193 S**

(45) **Date of Patent:** **** *Jul. 28, 2009**

(54) **FAN HOUSING**

(76) Inventor: **Grant L. Reuter**, 4401 Kinsway,
Anacortes, WA (US) 98221

(*) Notice: This patent is subject to a terminal disclaimer.

(**) Term: **14 Years**

(21) Appl. No.: **29/247,589**

(22) Filed: **Jun. 27, 2006**

(51) **LOC (9) Cl.** **23-04**

(52) **U.S. Cl.** **D23/382**

(58) **Field of Classification Search** D23/382,
D23/381, 332, 370; 416/246 R, 247 R, 244 R;
417/423.15

See application file for complete search history.

(56) **References Cited**

U.S. PATENT DOCUMENTS

D444,552 S *	7/2001	Wang	D23/382
D567,930 S *	4/2008	Smith	D23/382
D589,604 S *	3/2009	Hsu	D23/382

* cited by examiner

Primary Examiner—Lisa P Lichtenstein

(74) *Attorney, Agent, or Firm*—Davis Wright Tremaine LLP;
George C. Rondeau, Jr.

(57) **CLAIM**

The ornamental design for a fan housing, as shown and described.

DESCRIPTION

FIG. 1 is a front perspective view of a fan housing showing my new design.

FIG. 2 is a front elevational view thereof.

FIG. 3 is a rear elevational view thereof.

FIG. 4 is a top plan view thereof.

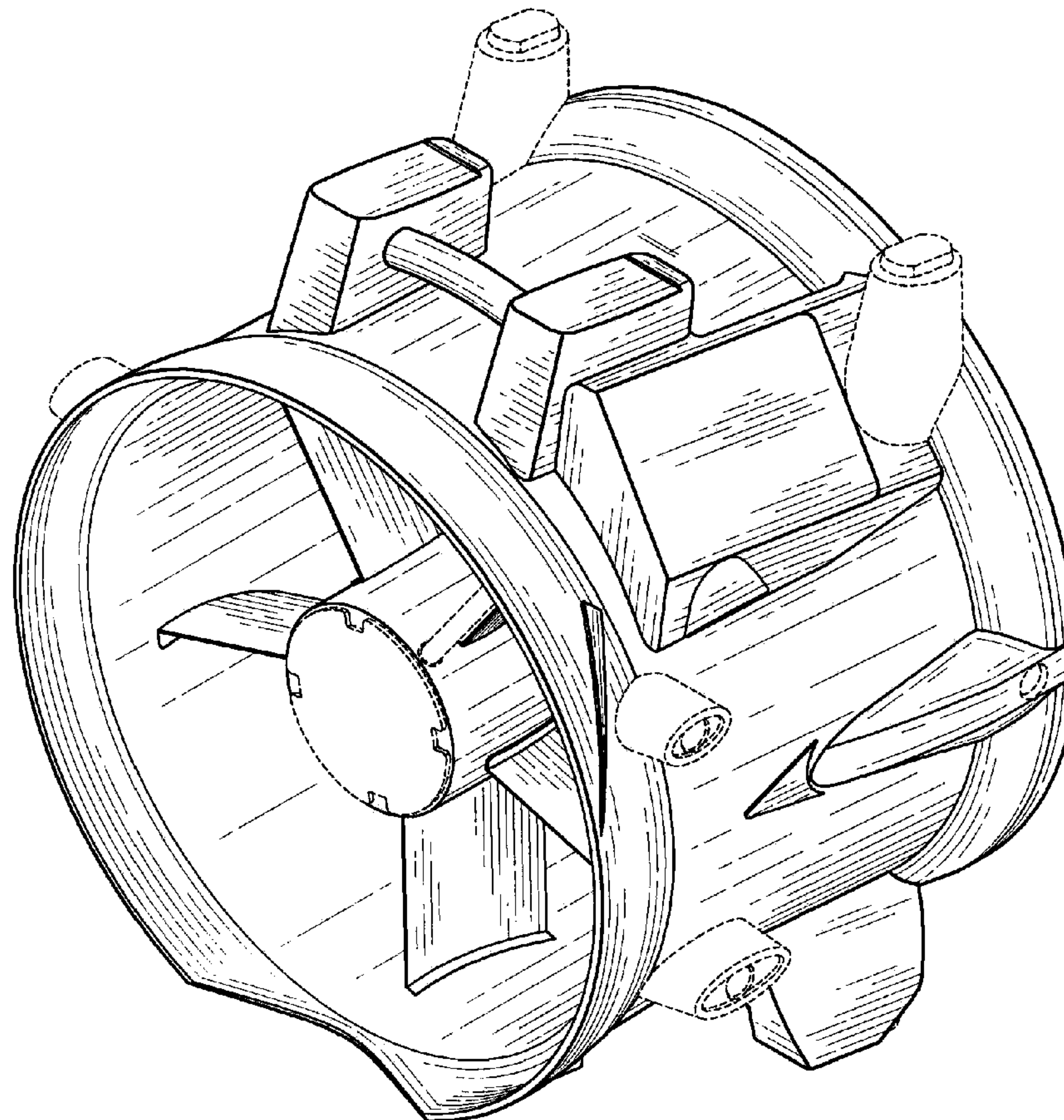
FIG. 5 is a bottom plan view thereof.

FIG. 6 is a left side elevational view thereof; and,

FIG. 7 is a right side elevational view thereof.

The broken line showing of portions of a fan is included for the purpose of illustrating environmental structure and forms no part of the claimed design.

1 Claim, 7 Drawing Sheets



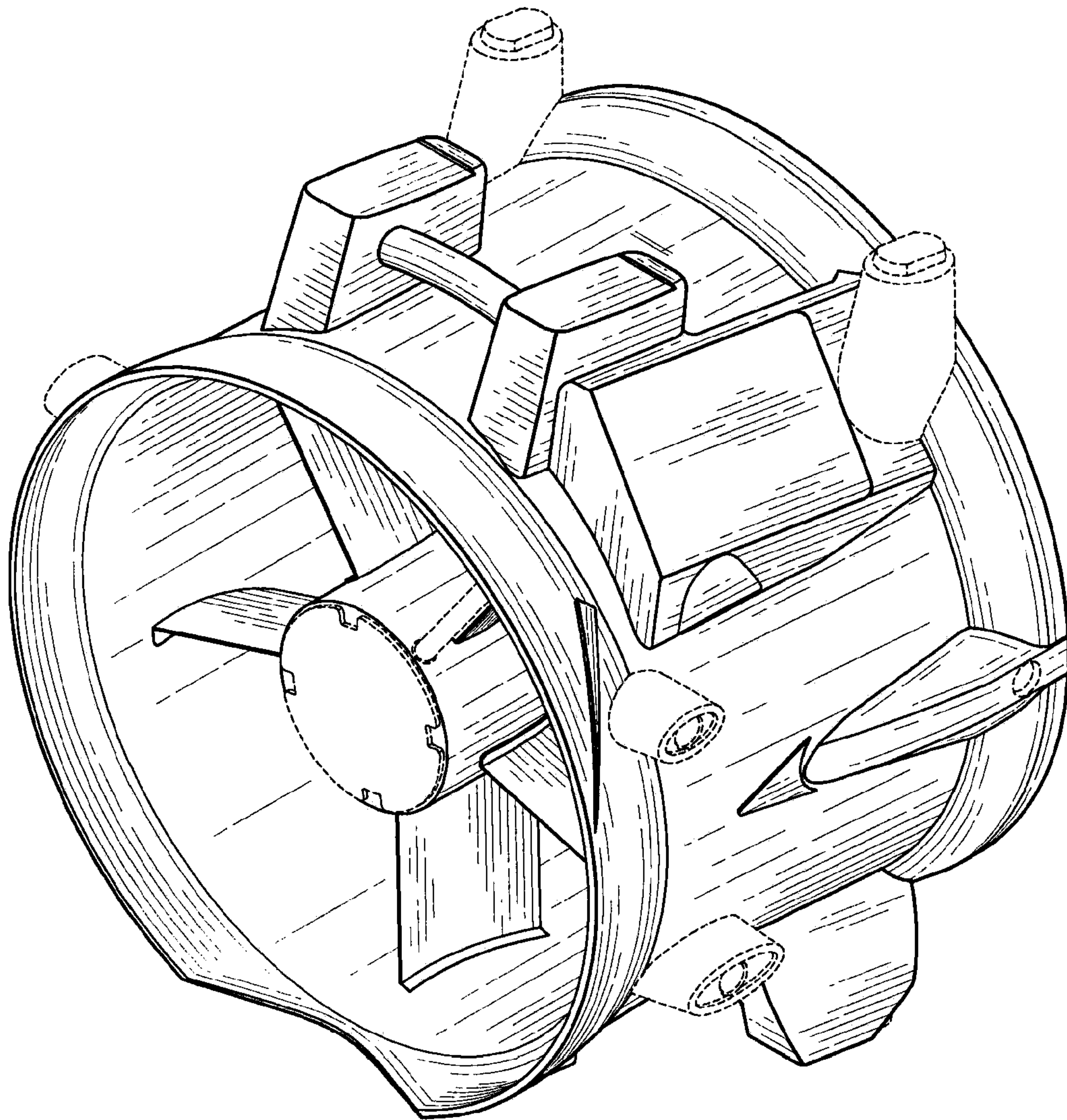


Fig. 1

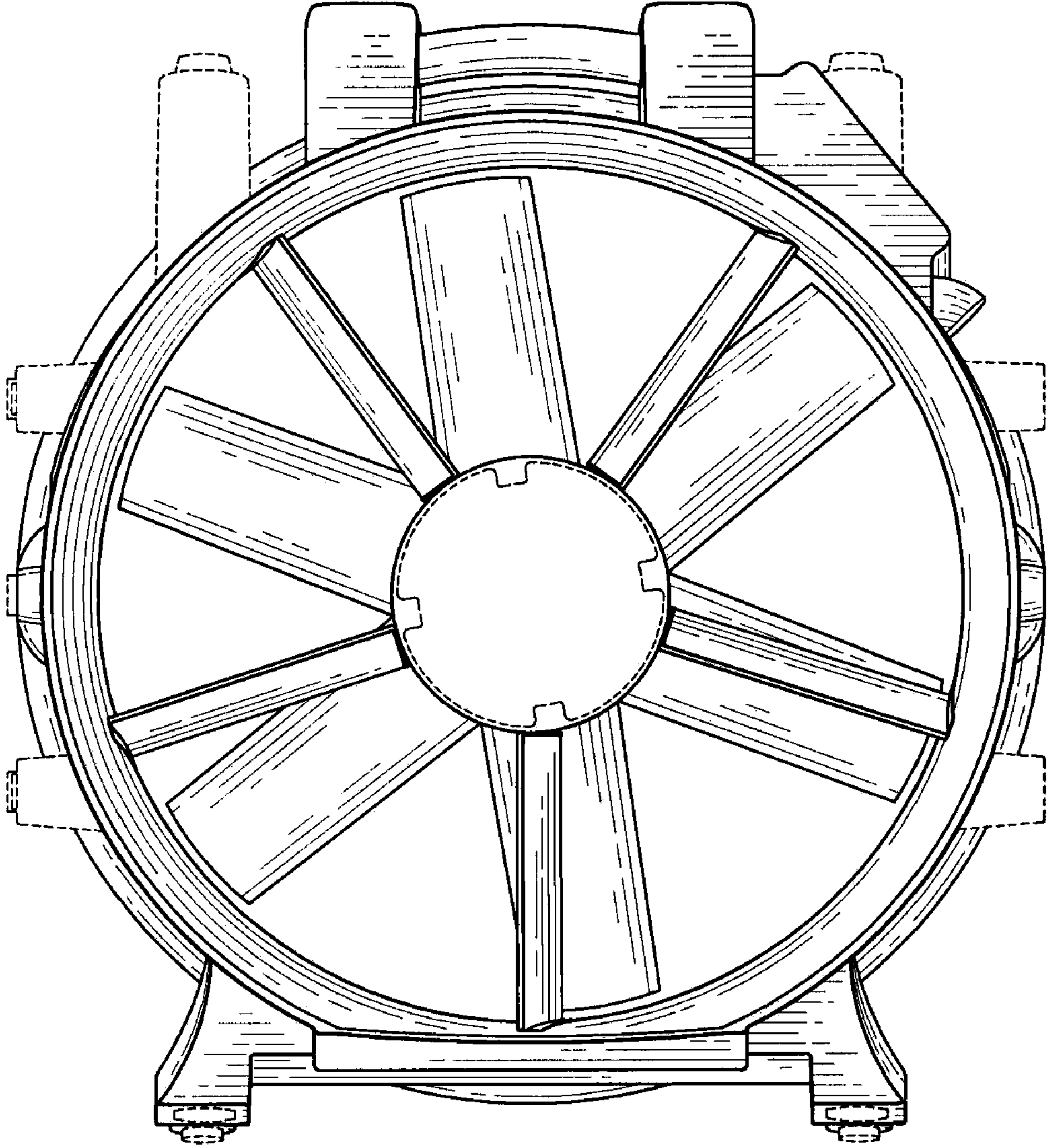


Fig. 2

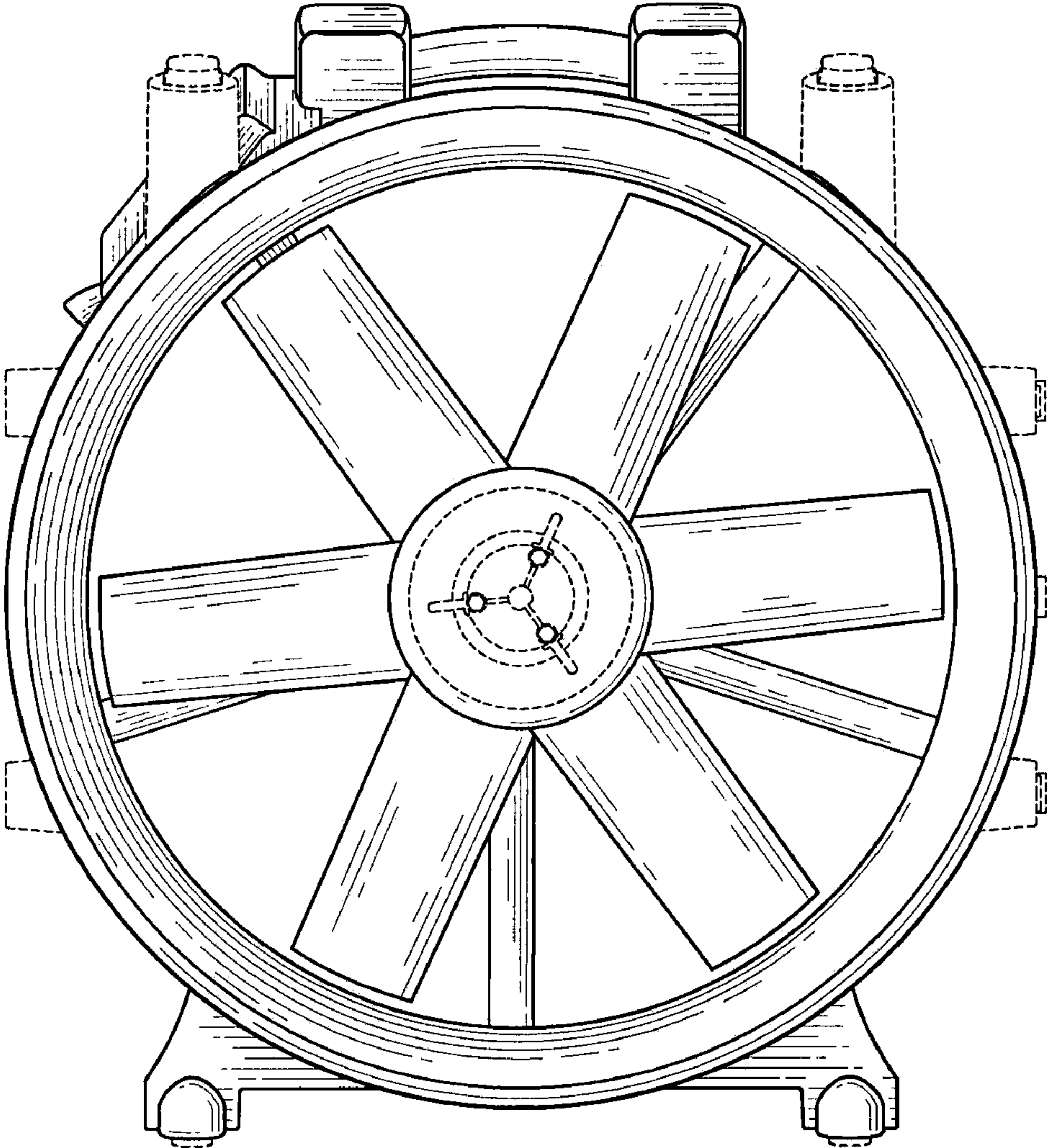


Fig. 3

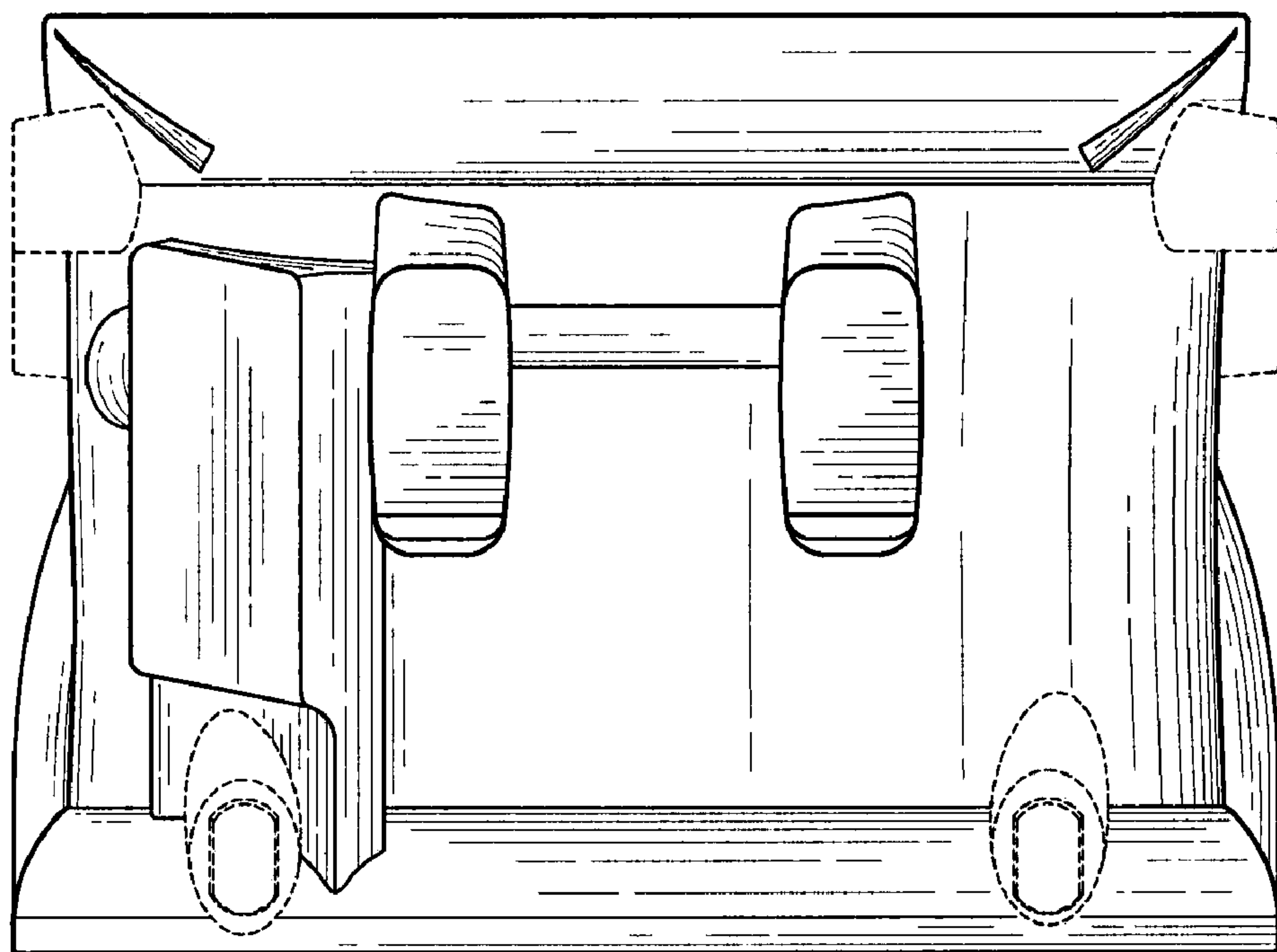


Fig. 4

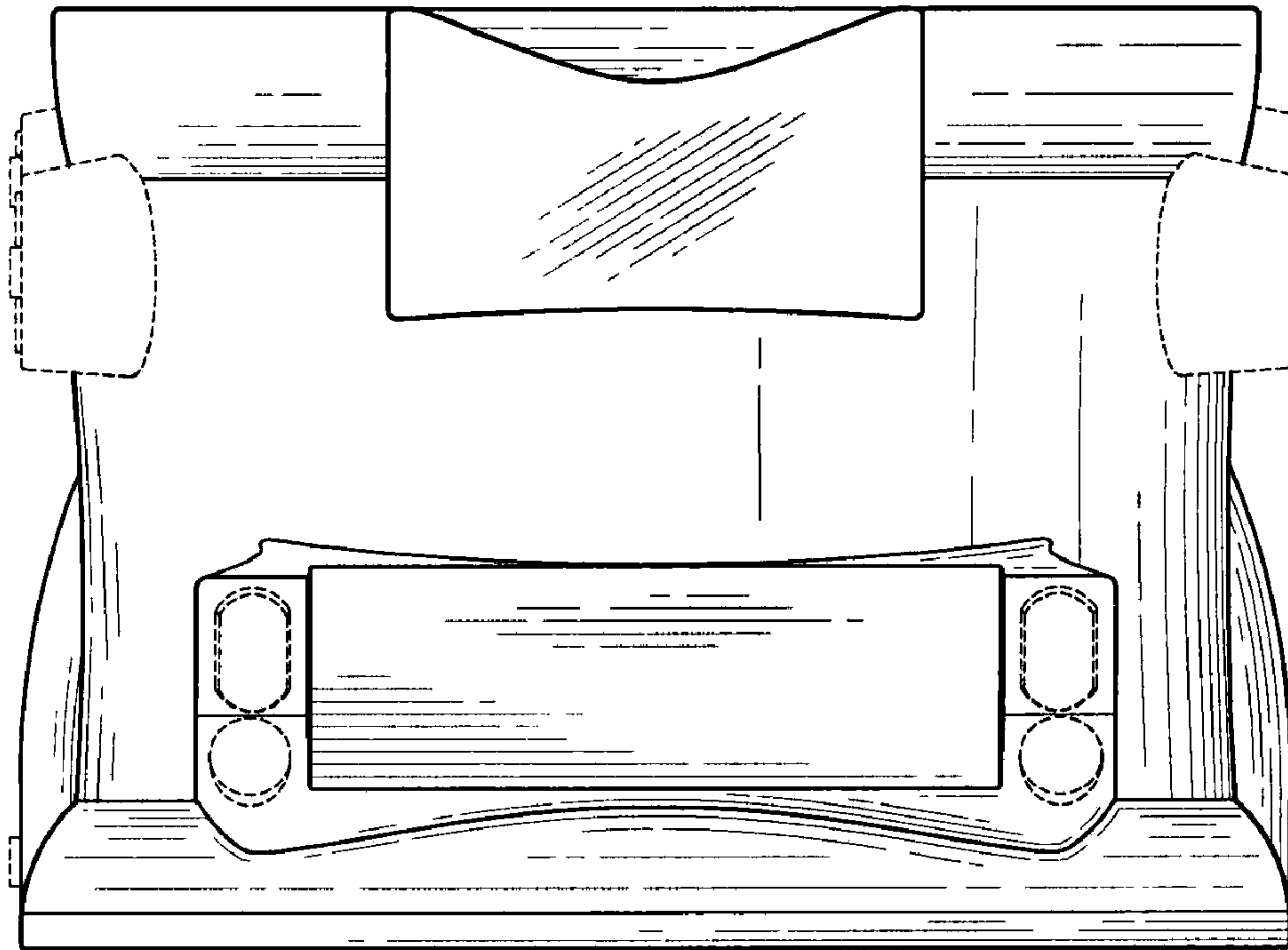


Fig. 5

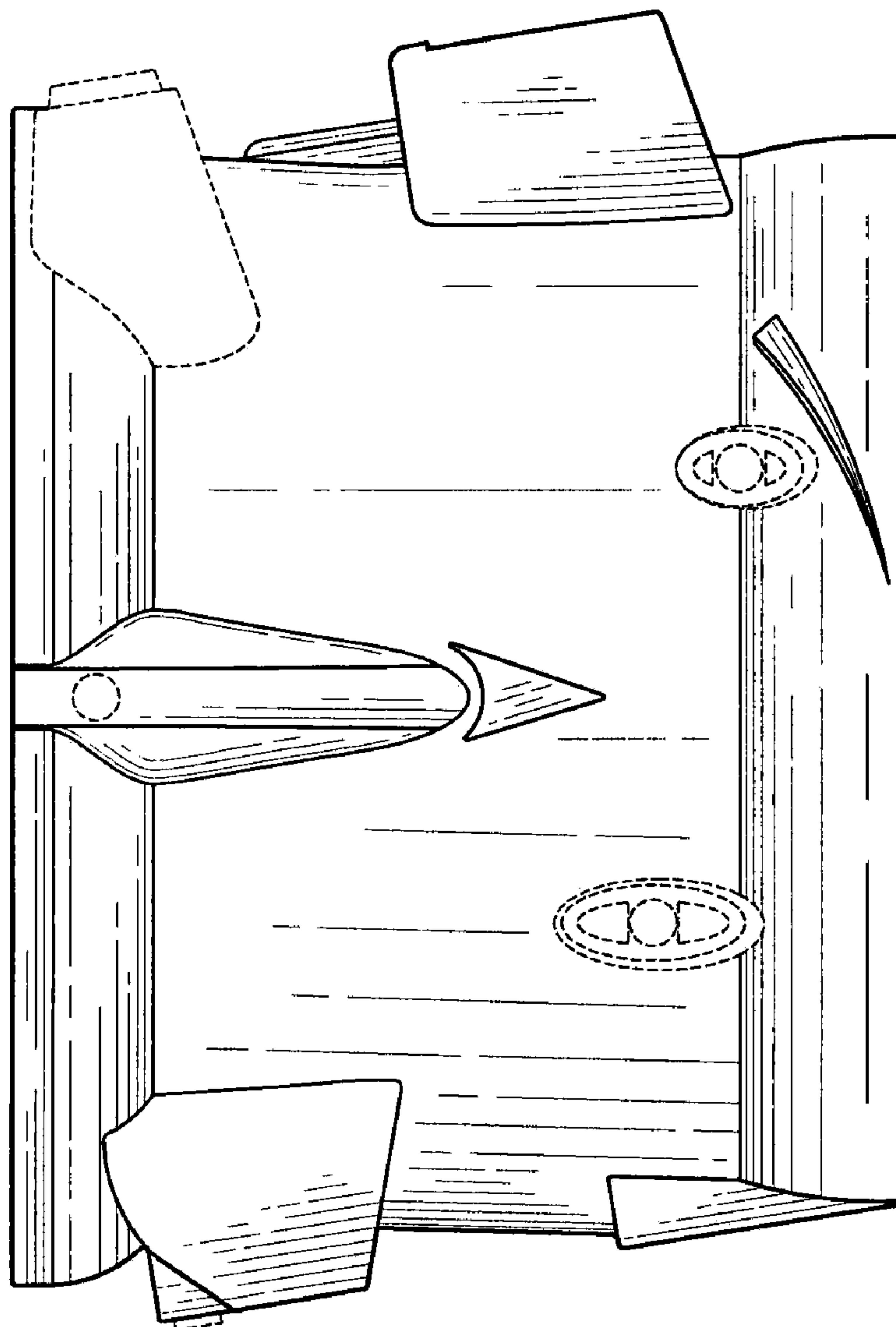


Fig. 6

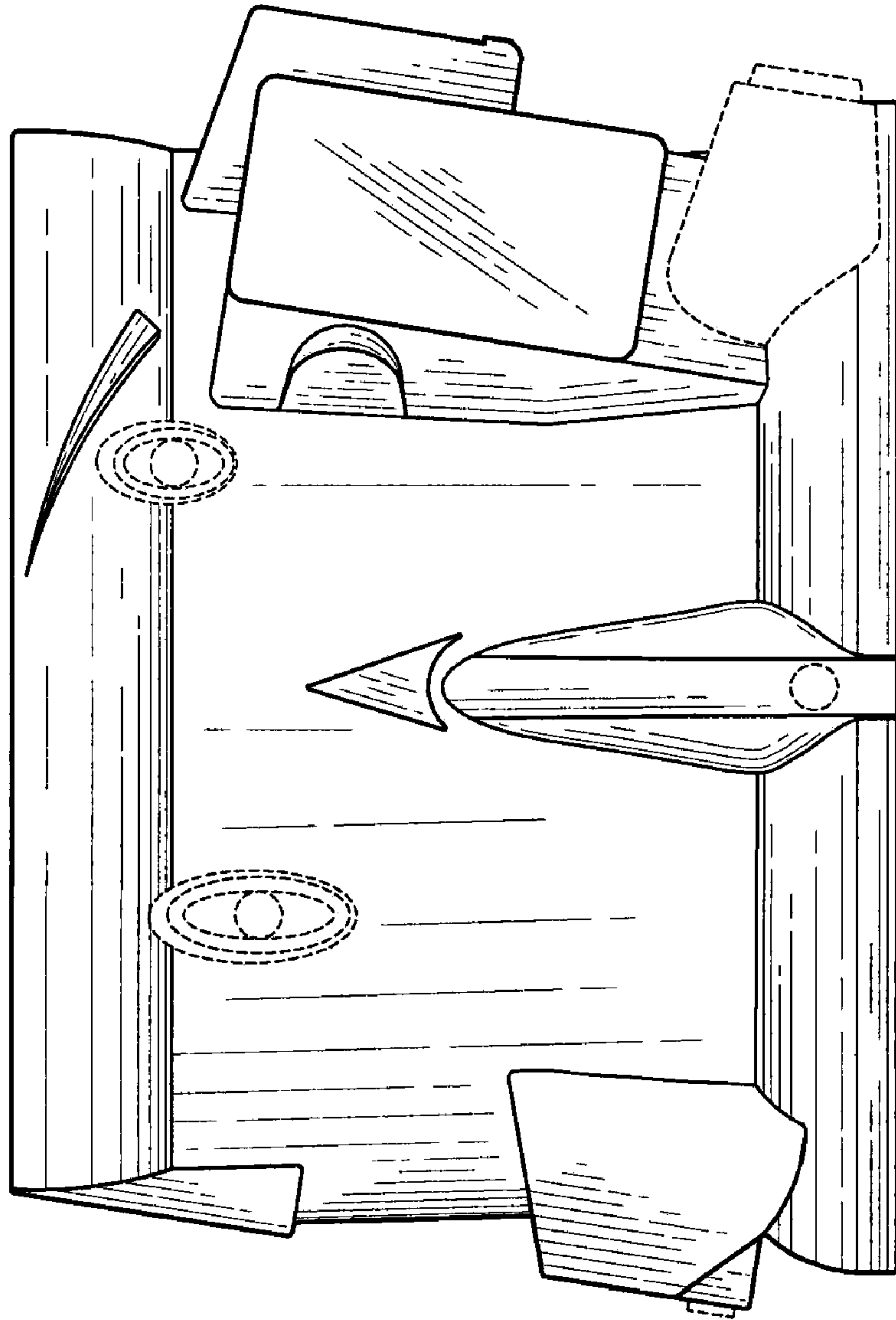


Fig. 7