



US00D597189S

(12) **United States Design Patent**
Osborne et al.

(10) **Patent No.:** **US D597,189 S**
(45) **Date of Patent:** **** Jul. 28, 2009**

(54) **FILTER CASSETTE**

(75) Inventors: **Mike Osborne**, Louisville, KY (US);
Keiron O'Connell, Louisville, KY (US);
Husheder P. Daruwalla, Dunwoody,
GA (US); **Joachim Horst Wenzek**,
Amstelveen (NL); **Ng Cheah Wei**,
Selangor (MY)

(73) Assignee: **AAF-McQuay Inc.**, Louisville, KY
(US)

(**) Term: **14 Years**

(21) Appl. No.: **29/252,268**

(22) Filed: **Jan. 20, 2006**

(51) **LOC (9) Cl.** **23-04**

(52) **U.S. Cl.** **D23/365**

(58) **Field of Classification Search** D23/207,
D23/209, 365; 55/482, 484, 498
See application file for complete search history.

(56) **References Cited**

U.S. PATENT DOCUMENTS

2,762,660	A	9/1956	Bullock	
3,691,736	A *	9/1972	Neumann	55/484
3,961,920	A *	6/1976	Gilbert	96/129
4,252,547	A *	2/1981	Johnson	96/121
4,356,011	A *	10/1982	Day et al.	55/368
5,080,699	A *	1/1992	Ho et al.	96/129
5,344,228	A	9/1994	Kovarik et al.	

5,707,001	A	1/1998	Mark et al.	
5,931,988	A *	8/1999	LeBlanc et al.	95/286
6,322,178	B1	11/2001	Dominique	
6,378,963	B1	4/2002	Relyea et al.	
D483,845	S *	12/2003	Arato	D23/365
D492,001	S *	6/2004	Kamata et al.	D23/209
6,848,760	B2	2/2005	Thomas et al.	
D548,316	S *	8/2007	Cowie et al.	D23/365
7,393,376	B2 *	7/2008	Taoka et al.	55/523
7,455,710	B2 *	11/2008	Masukawa et al.	55/523

* cited by examiner

Primary Examiner—Robin V Webster

(74) *Attorney, Agent, or Firm*—Middleton Reutlinger

(57) **CLAIM**

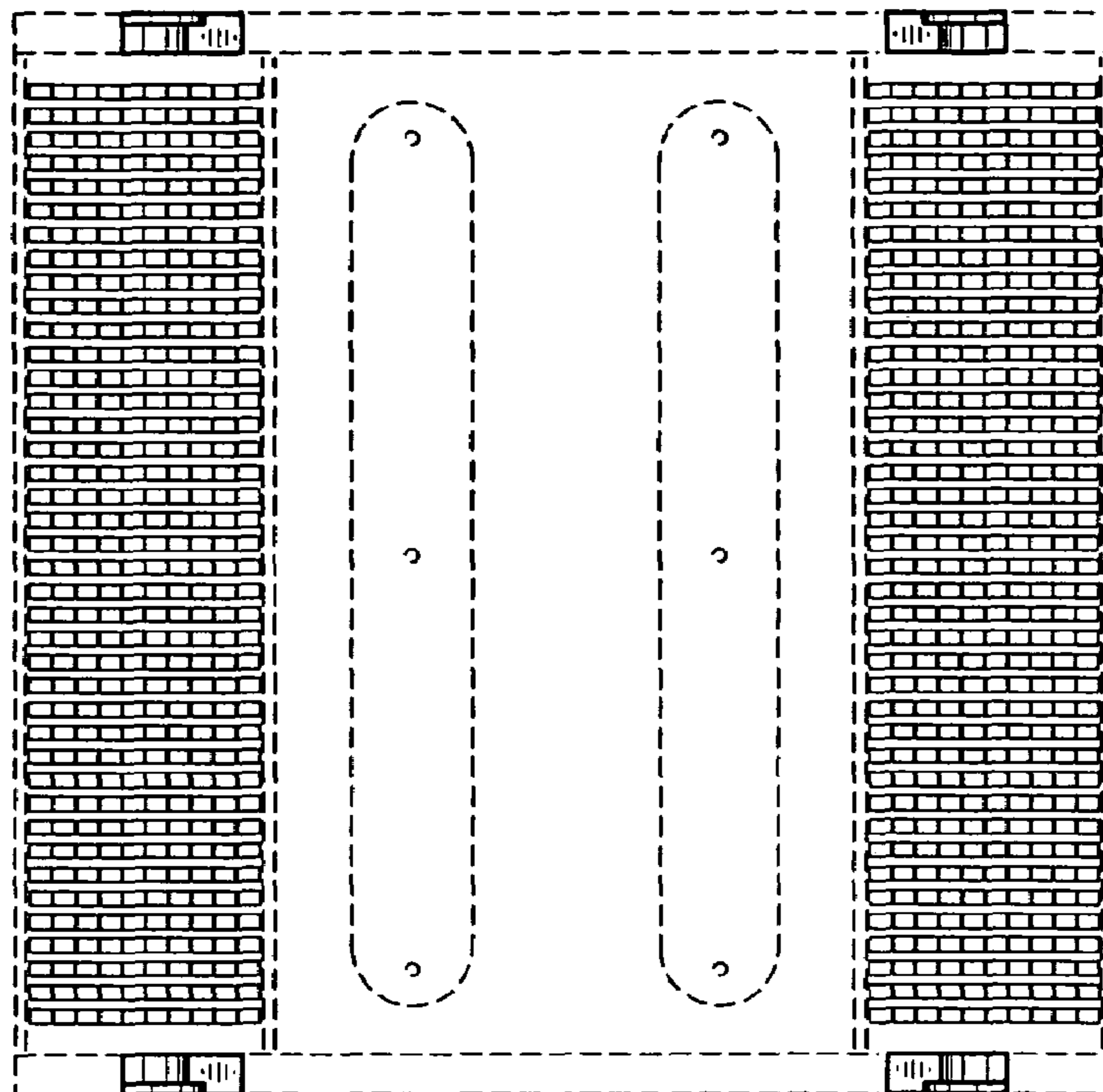
The ornamental design for a filter cassette, as shown and described.

DESCRIPTION

FIG. 1 is a right side view of a filter cassette showing the design where the left side view is a mirror image of this view; FIG. 2 is a top view thereof; FIG. 3 is a bottom view thereof; FIG. 4 is a front view thereof; and, FIG. 5 is a rear view thereof.

The broken line showing of is included for the purpose of illustrating environment and forms no part of the claimed design.

1 Claim, 3 Drawing Sheets



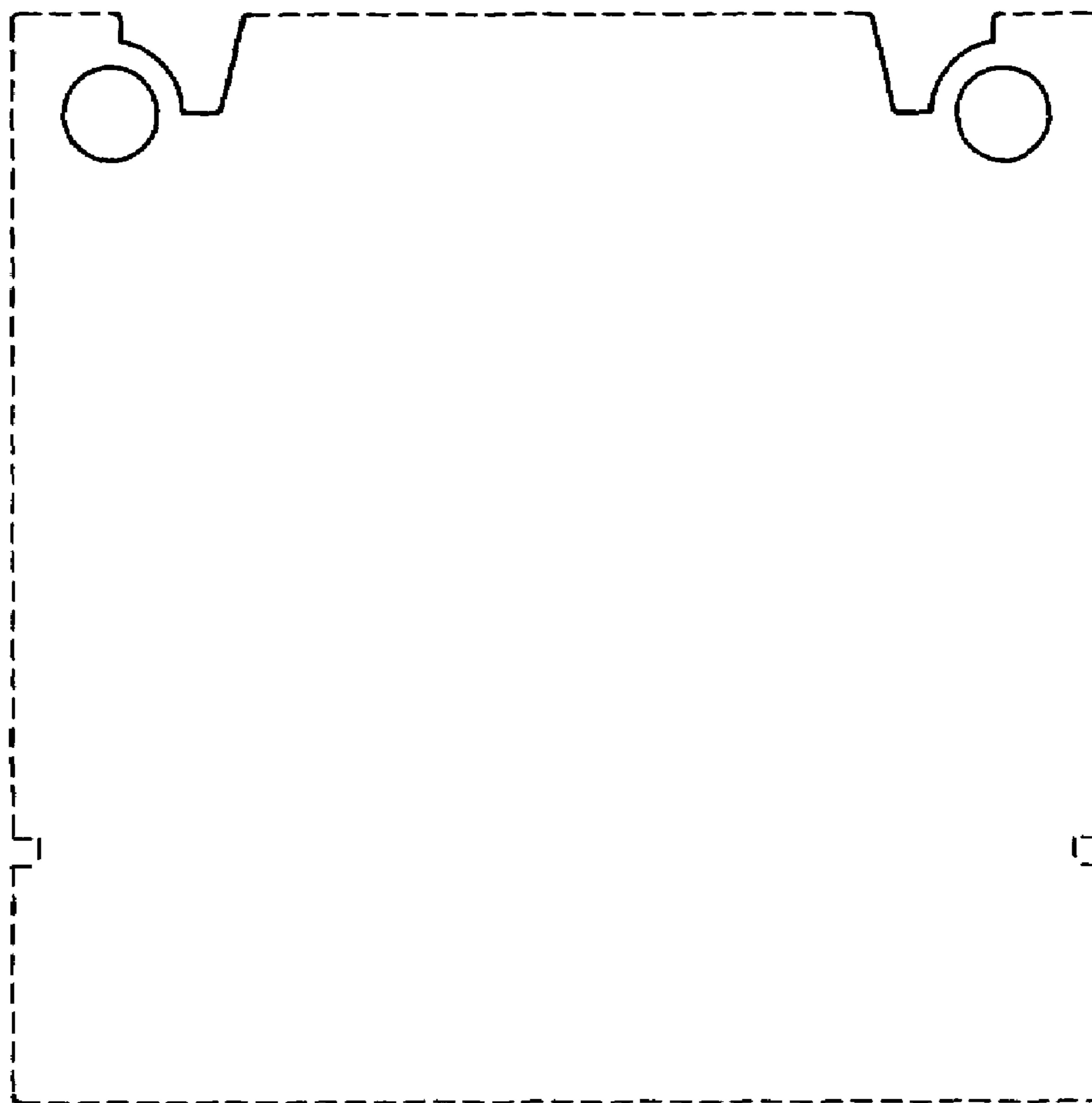


FIG. 1

FIG. 2

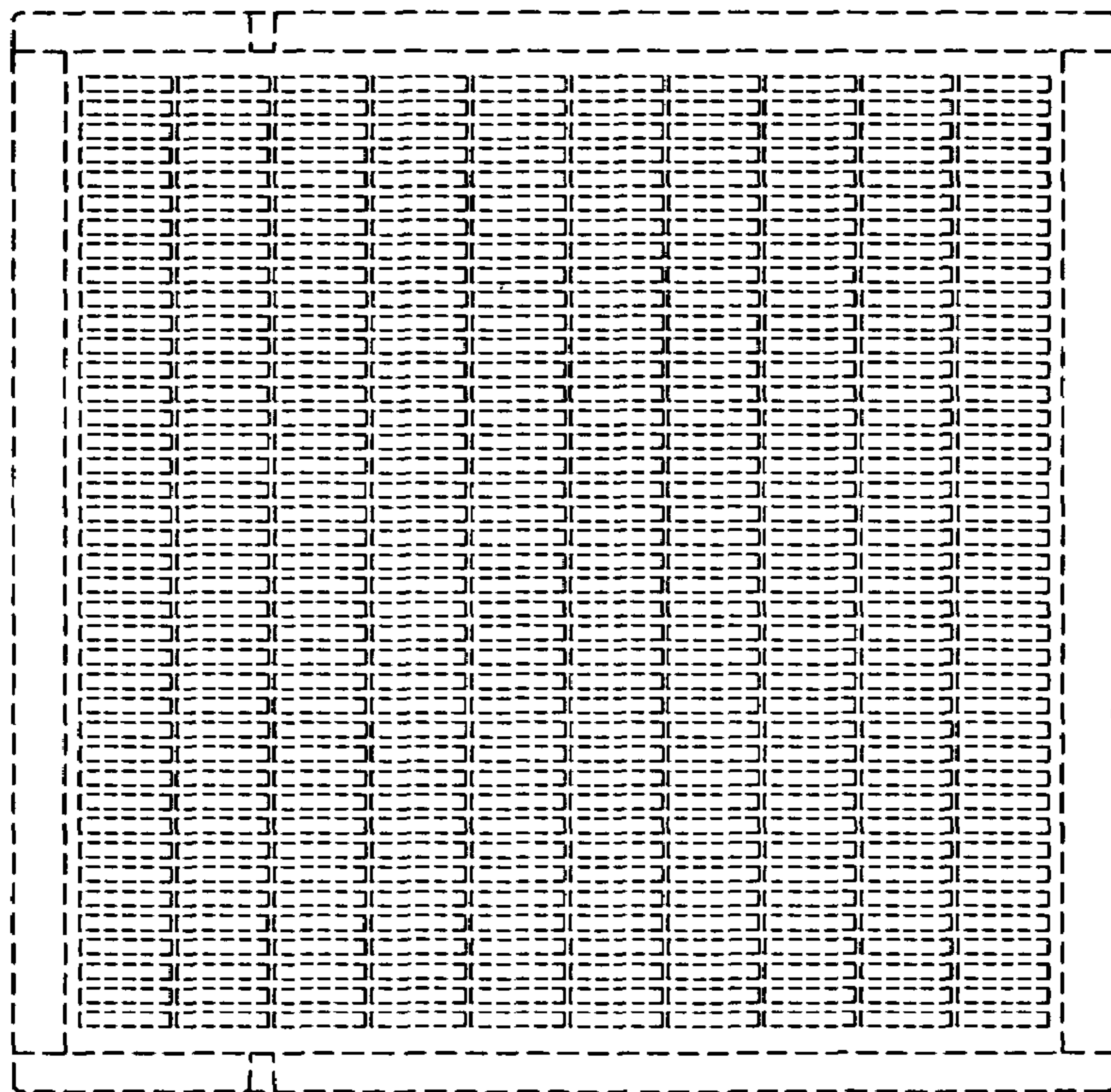
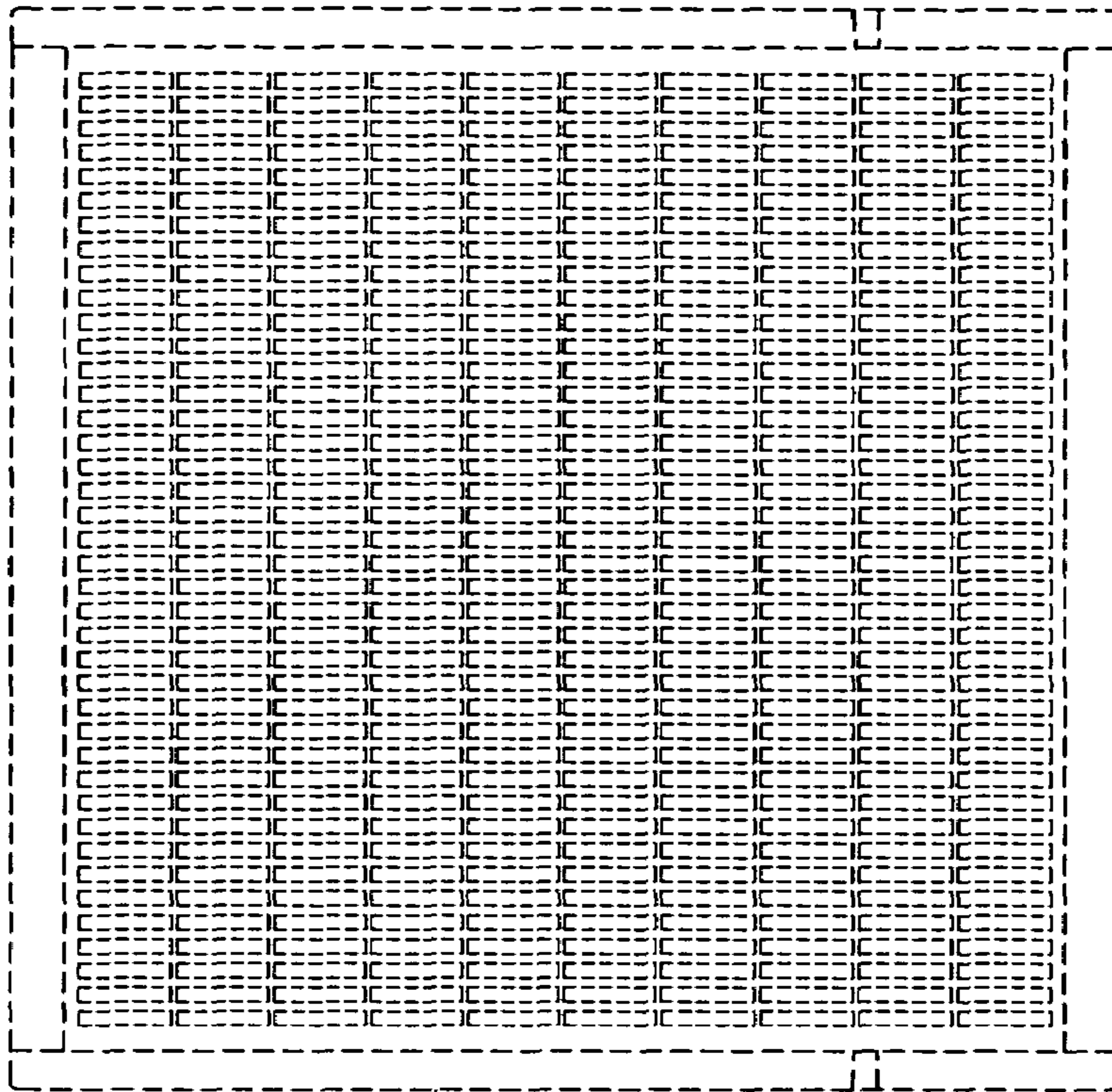


FIG. 3

FIG. 4

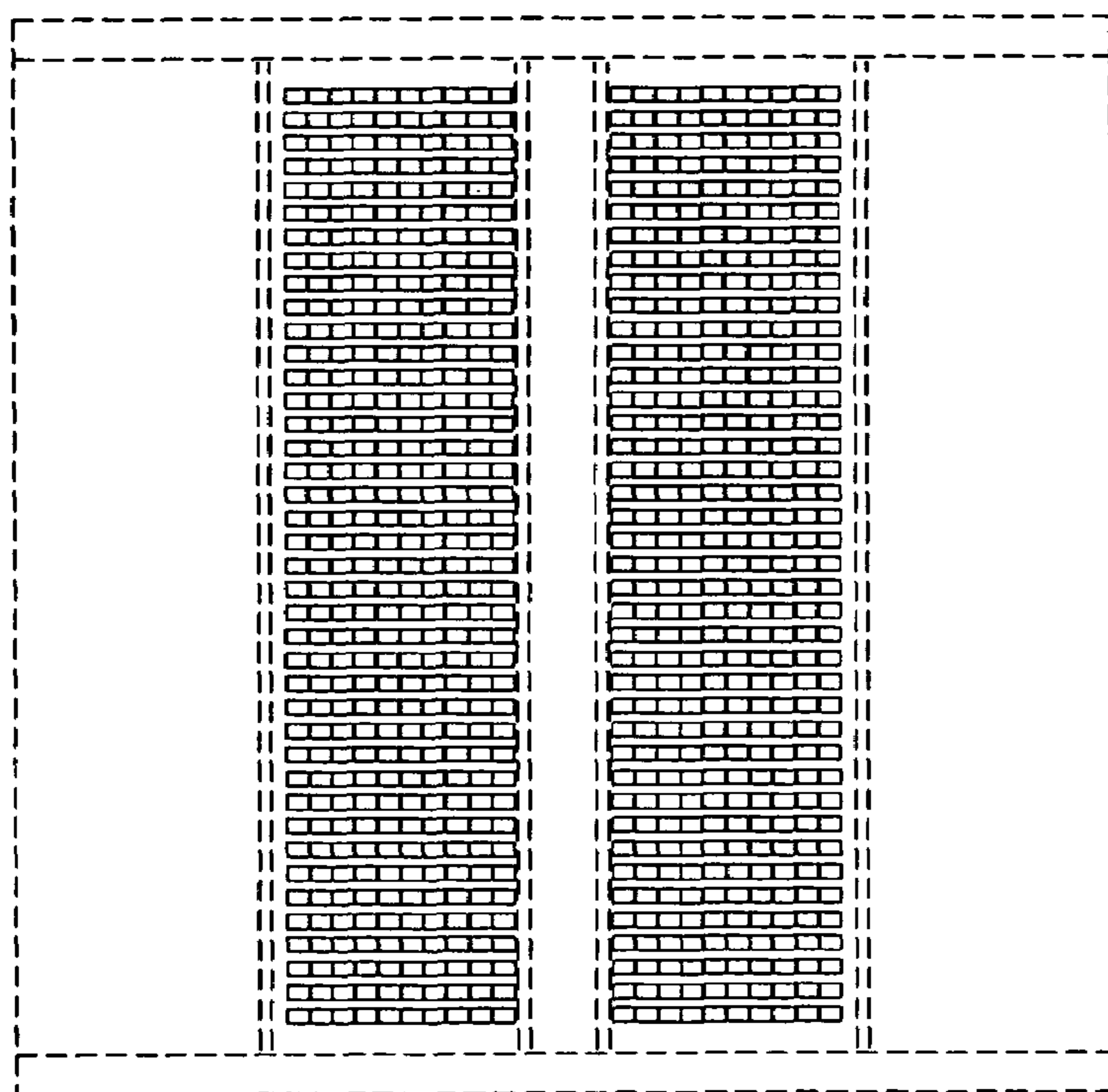
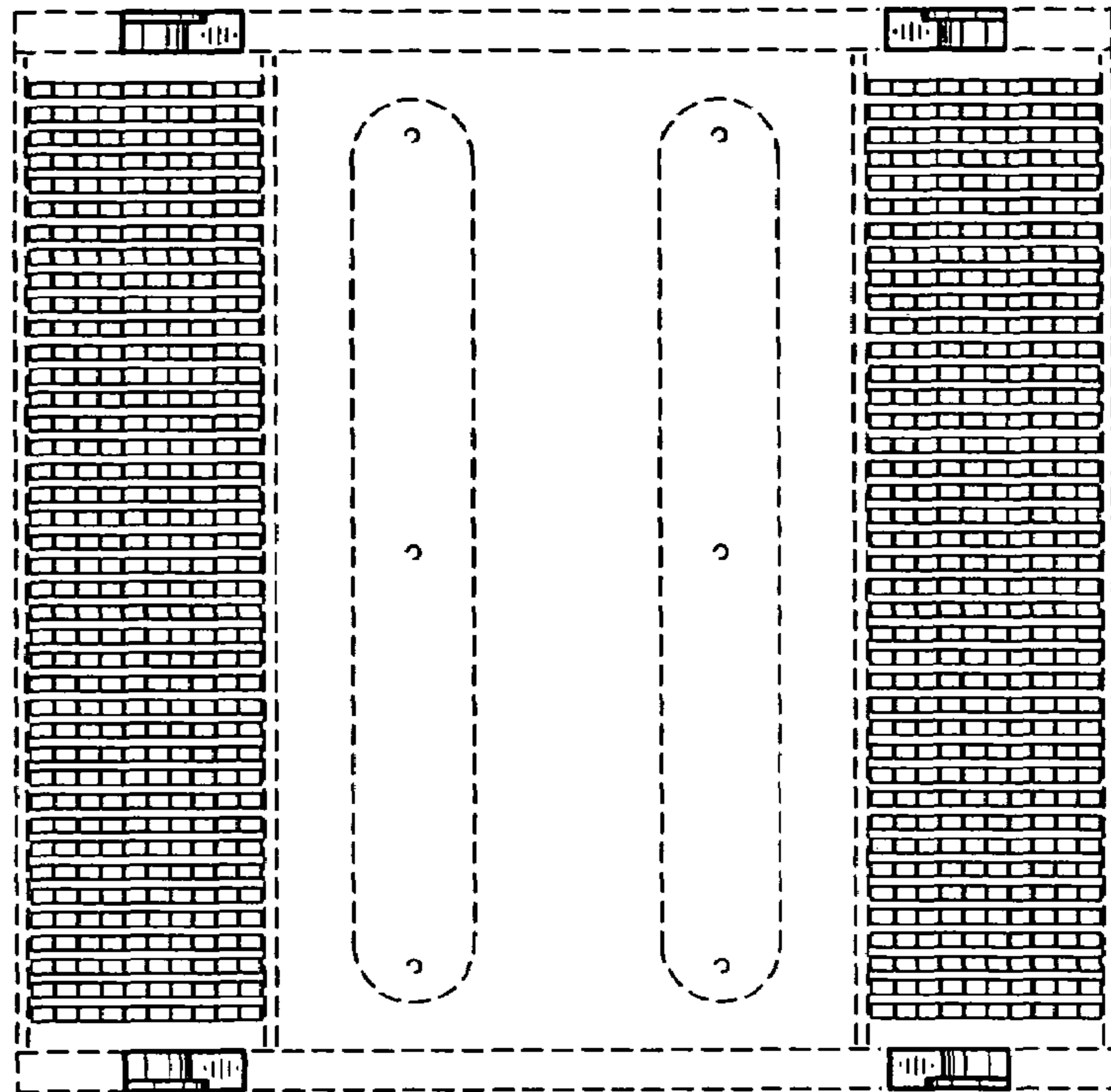


FIG. 5