

US00D597188S

(12) **United States Design Patent**
Chen

(10) **Patent No.:** **US D597,188 S**
(45) **Date of Patent:** **** Jul. 28, 2009**

(54) **AIR PURIFIER**

(75) Inventor: **Yaogang Chen, Xi'an (CN)**

(73) Assignee: **Healthlead Co., Ltd., Xi'an (CN)**

(**) Term: **14 Years**

(21) Appl. No.: **29/308,900**

(22) Filed: **Jul. 15, 2008**

(51) **LOC (9) Cl.** **23-04**

(52) **U.S. Cl.** **D23/364**

(58) **Field of Classification Search** D23/364,
D23/355, 356, 359, 360, 362, 352, 366, 369,
D23/332, 333, 335, 336, 342, 351; 422/120,
422/122; 55/356, 473, 504; 96/97; D14/188,
D14/170, 172; 261/DIG. 17, DIG. 65, DIG. 88,
261/DIG. 31

See application file for complete search history.

(56) **References Cited**

U.S. PATENT DOCUMENTS

D371,192 S *	6/1996	Putro	D23/364
D425,609 S *	5/2000	Hyon	D23/359
D429,805 S *	8/2000	Hyon	D23/359
D486,899 S *	2/2004	Gao	D23/335
D549,811 S *	8/2007	Chen	D23/359
D550,343 S *	9/2007	Chen	D23/364
D551,747 S *	9/2007	Liu	D23/359
D553,229 S *	10/2007	Song et al.	D23/359

D556,309 S *	11/2007	Chiu	D23/333
D566,819 S *	4/2008	Chiu	D23/333
D572,810 S *	7/2008	Chiu	D23/333
D577,427 S *	9/2008	Spiegel	D23/364
D578,197 S *	10/2008	Spiegel	D23/364

* cited by examiner

Primary Examiner—T. Chase Nelson

Assistant Examiner—David G Muller

(74) *Attorney, Agent, or Firm*—Hamre, Schumann, Mueller & Larson, P.C.

(57) **CLAIM**

The ornamental design for an air purifier, as shown and described.

DESCRIPTION

FIG. 1 is a front, top and right side perspective view of an air purifier in accordance with my invention thereof;

FIG. 2 is a front elevation view thereof;

FIG. 3 is a rear elevation view thereof;

FIG. 4 is a left elevation view thereof;

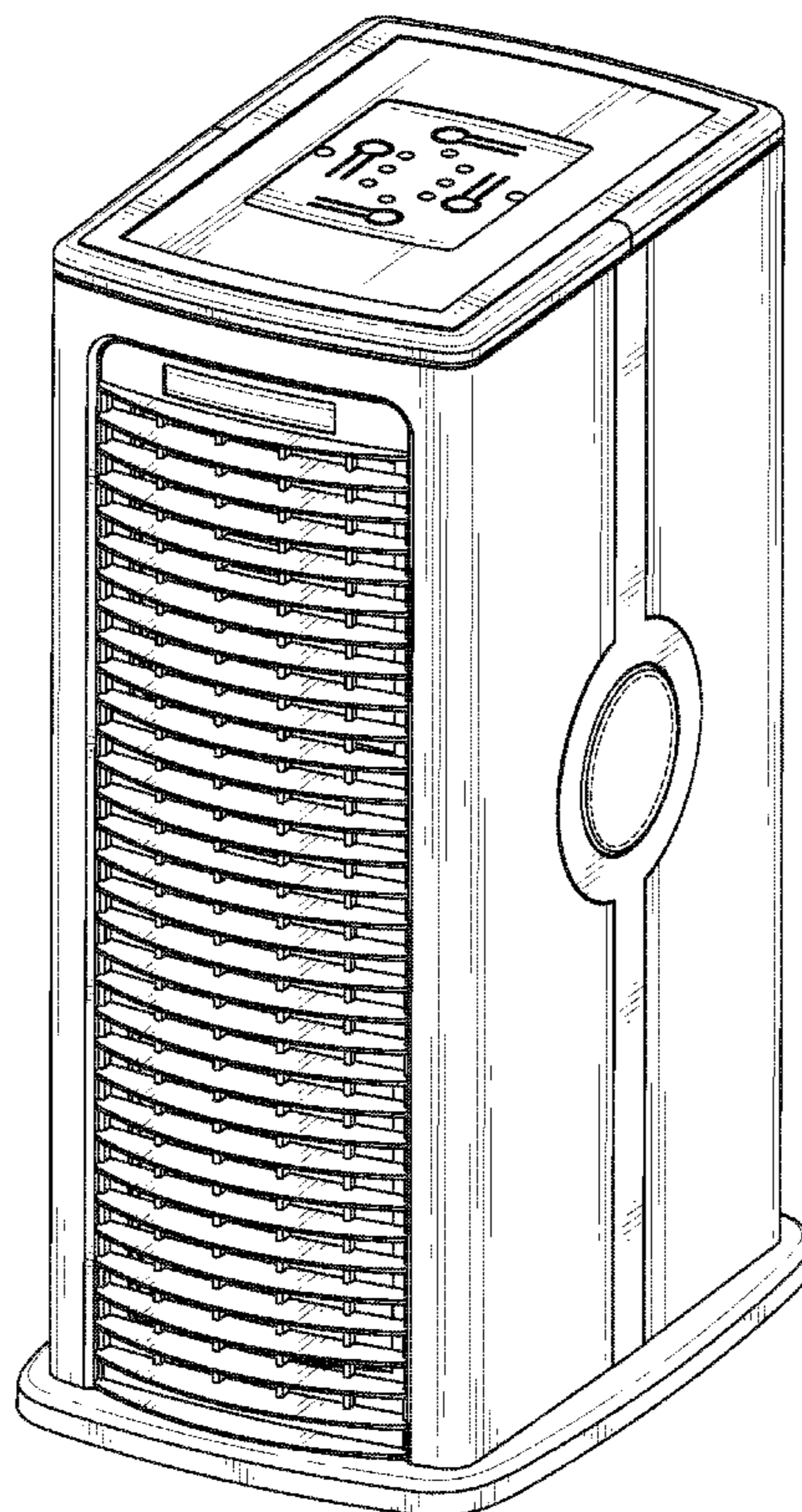
FIG. 5 is a right elevation view thereof;

FIG. 6 is a top plan view thereof; and,

FIG. 7 is a bottom plan view of an air purifier.

The broken lines depict portions of the air purifier that form no part of the claimed design.

1 Claim, 7 Drawing Sheets



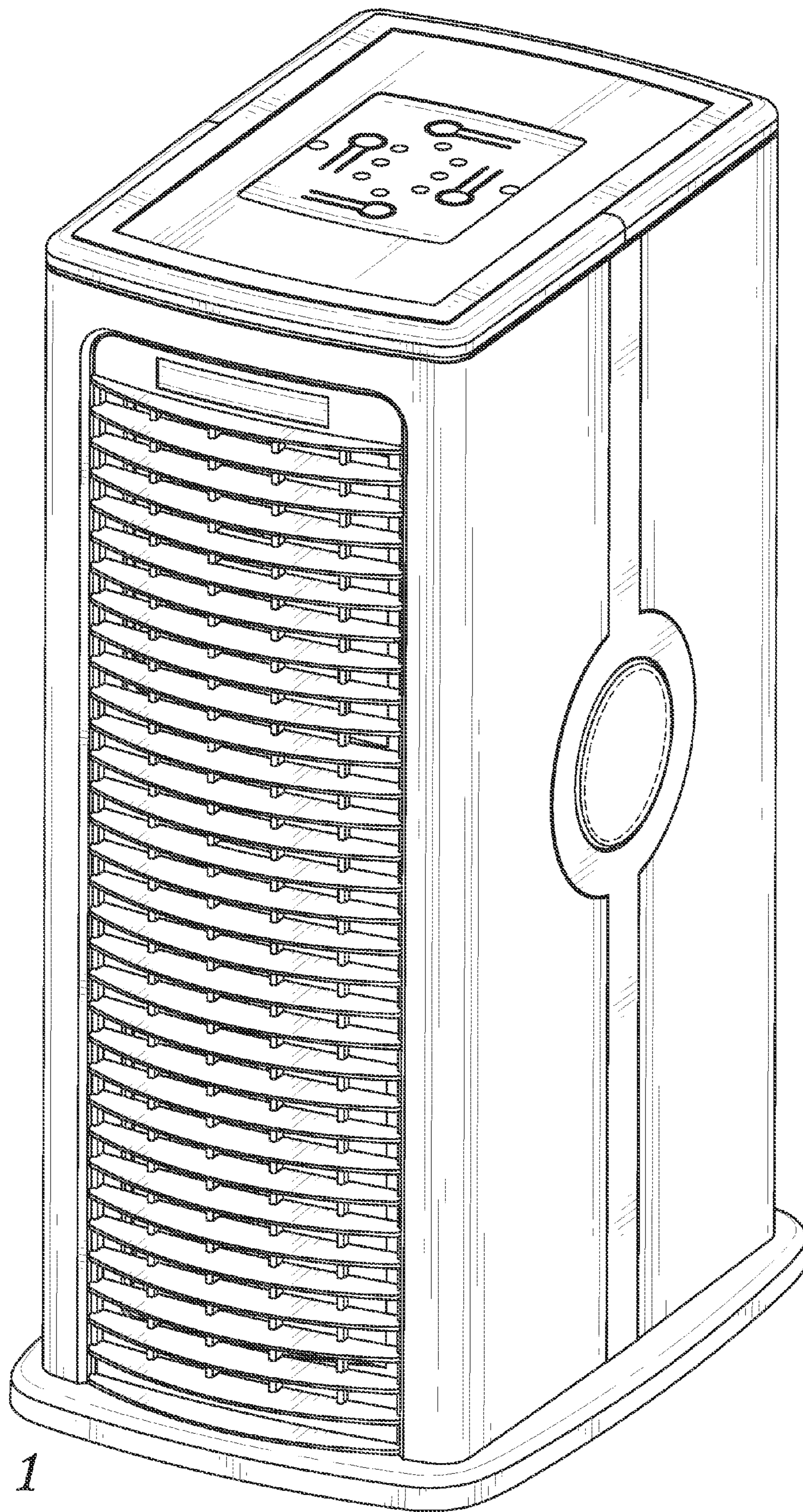


Fig. 1

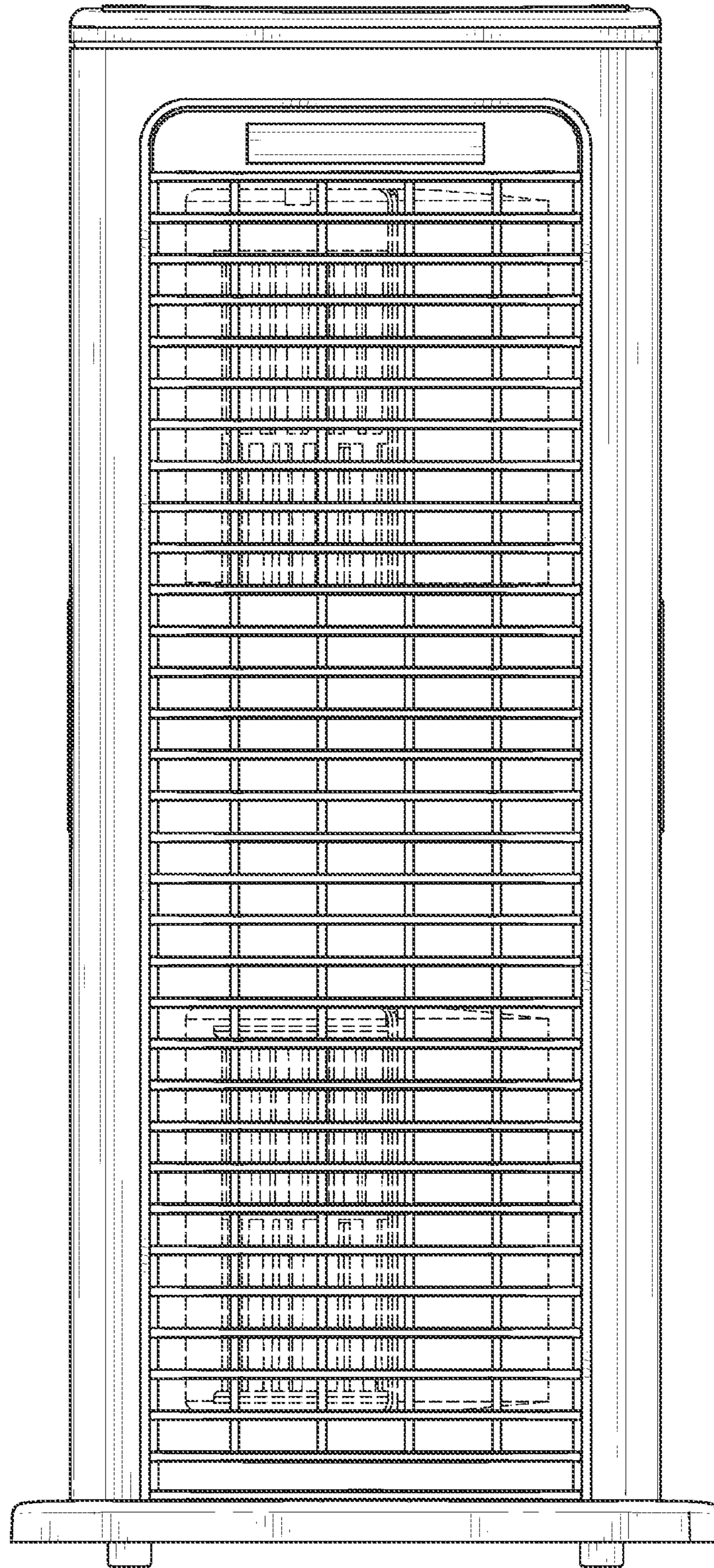


Fig. 2

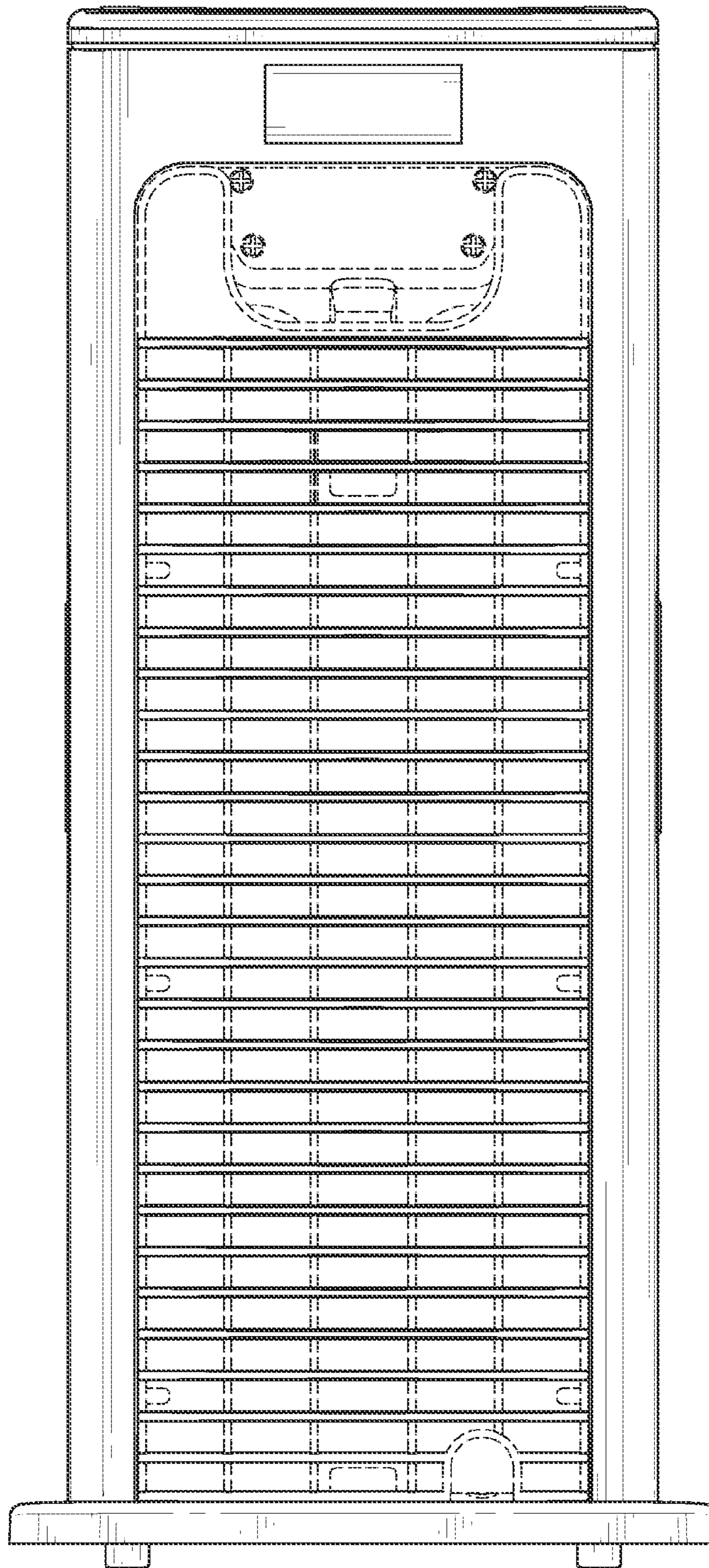


Fig. 3

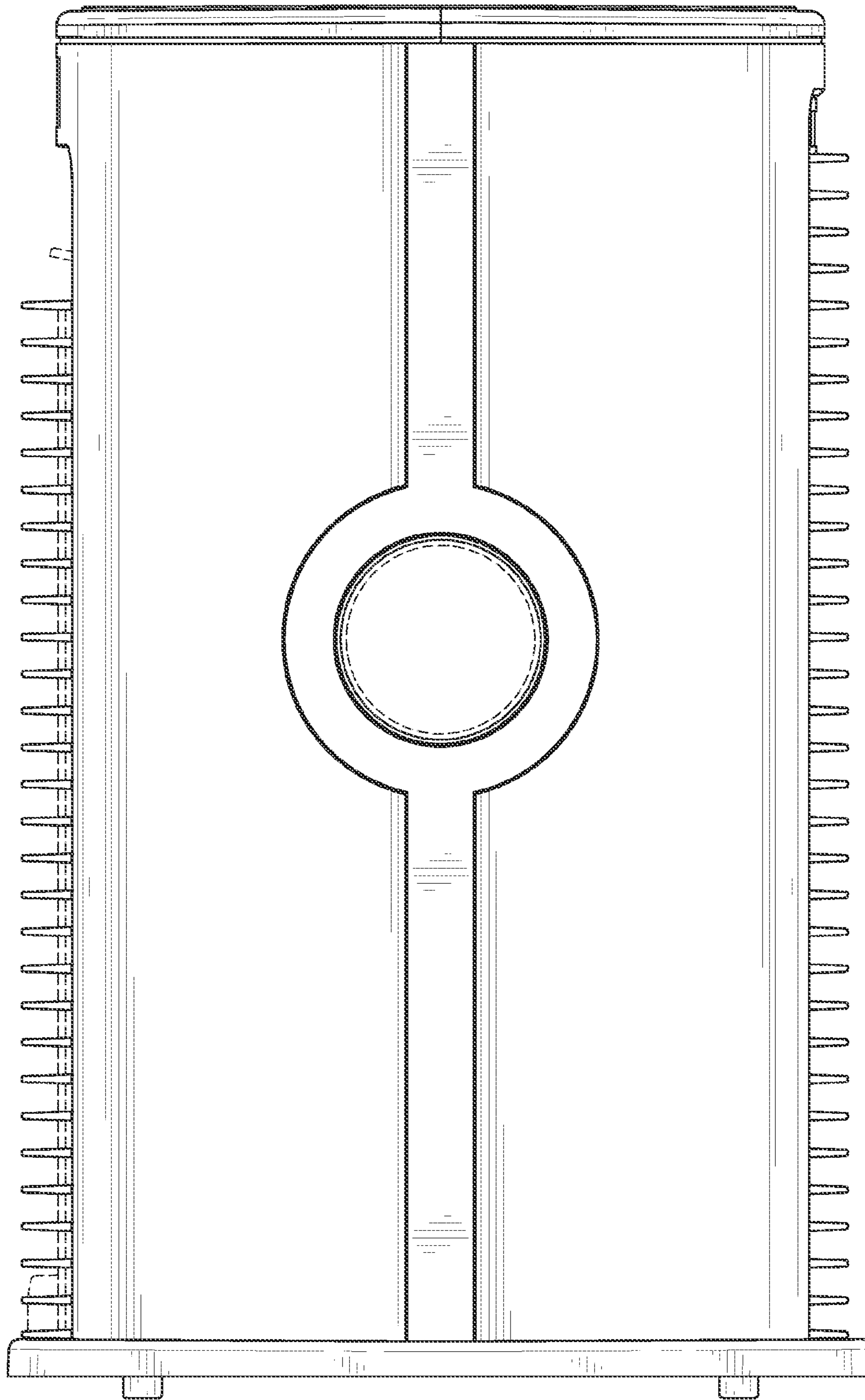


Fig. 4

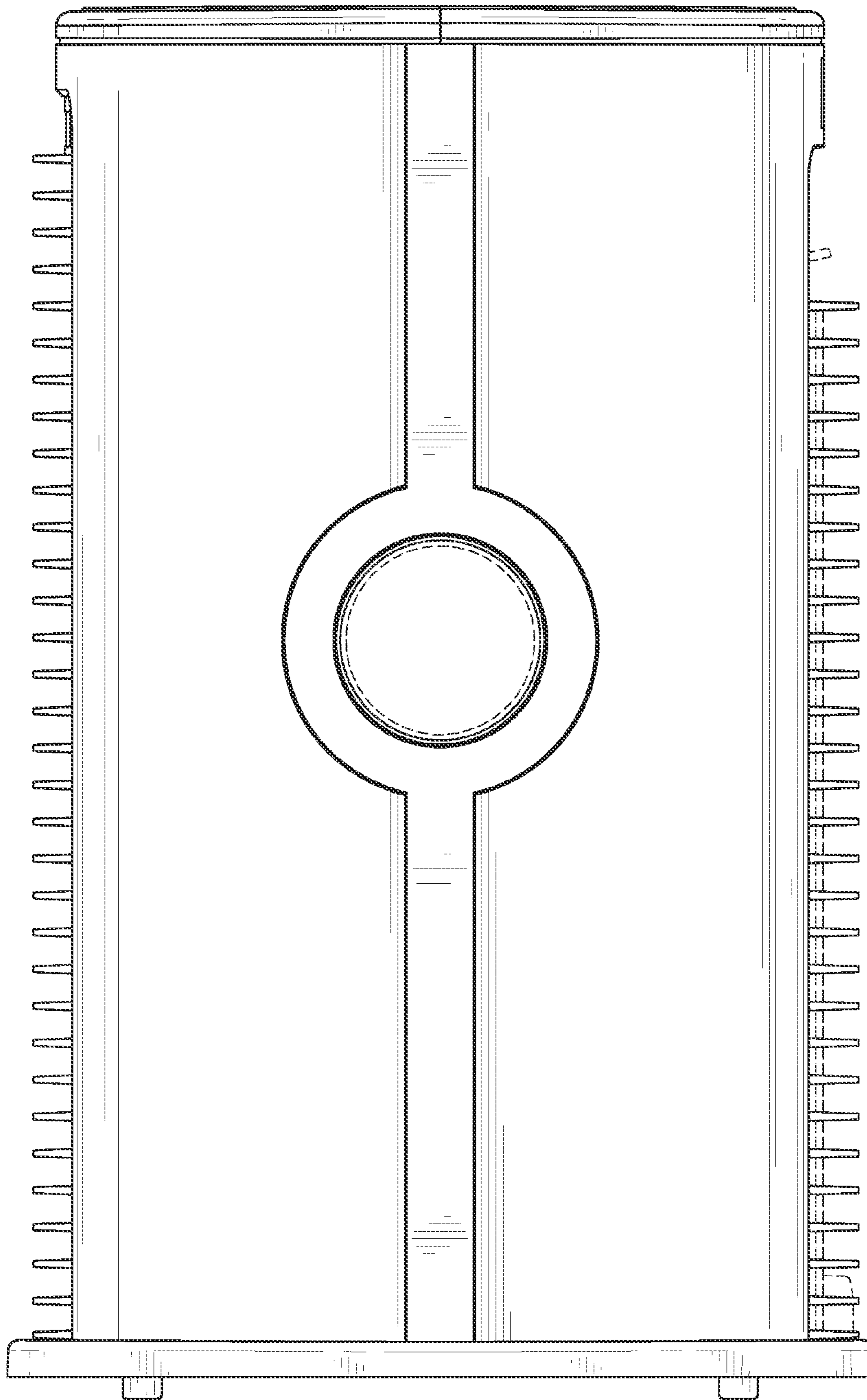


Fig. 5

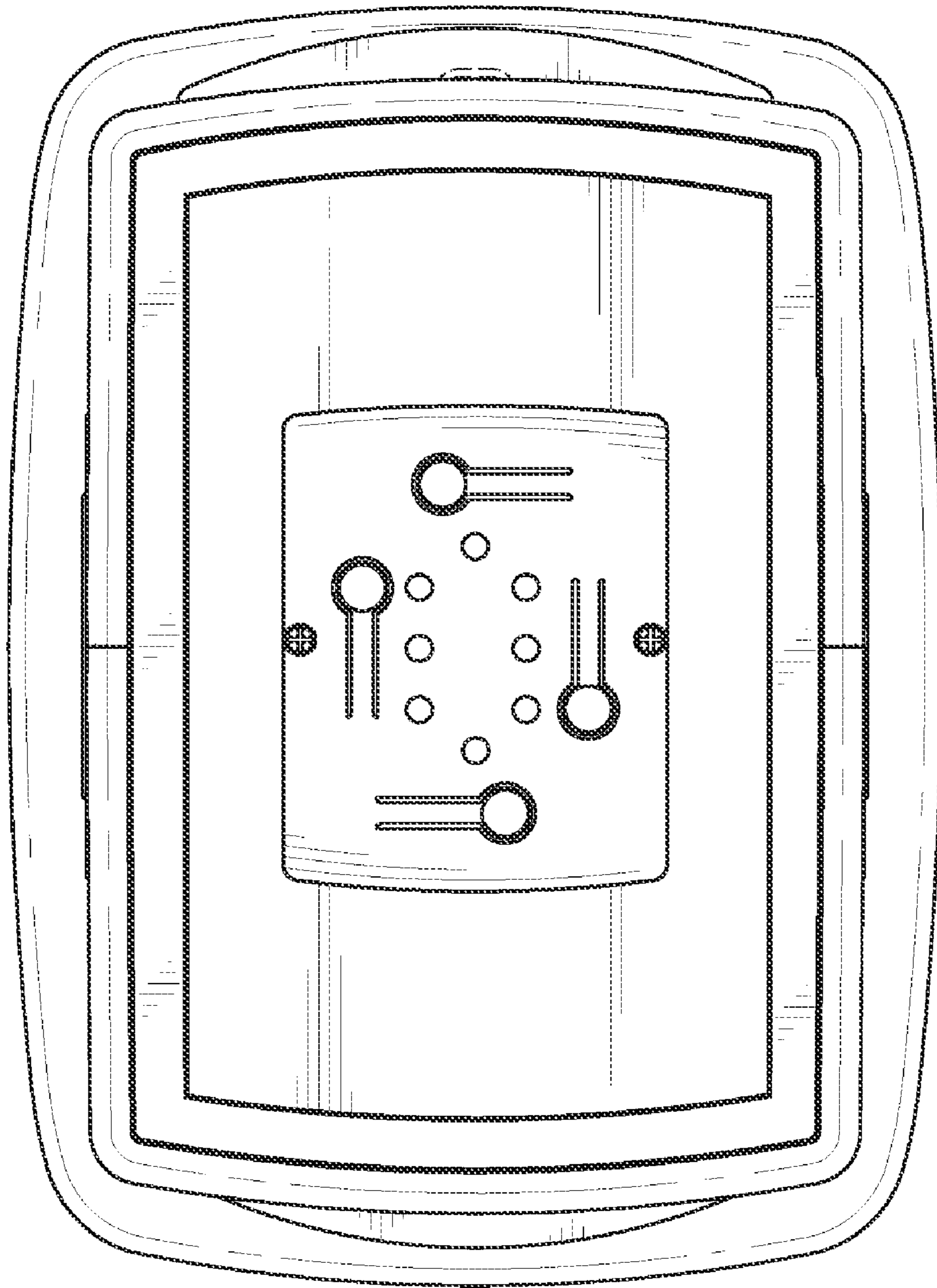


Fig. 6

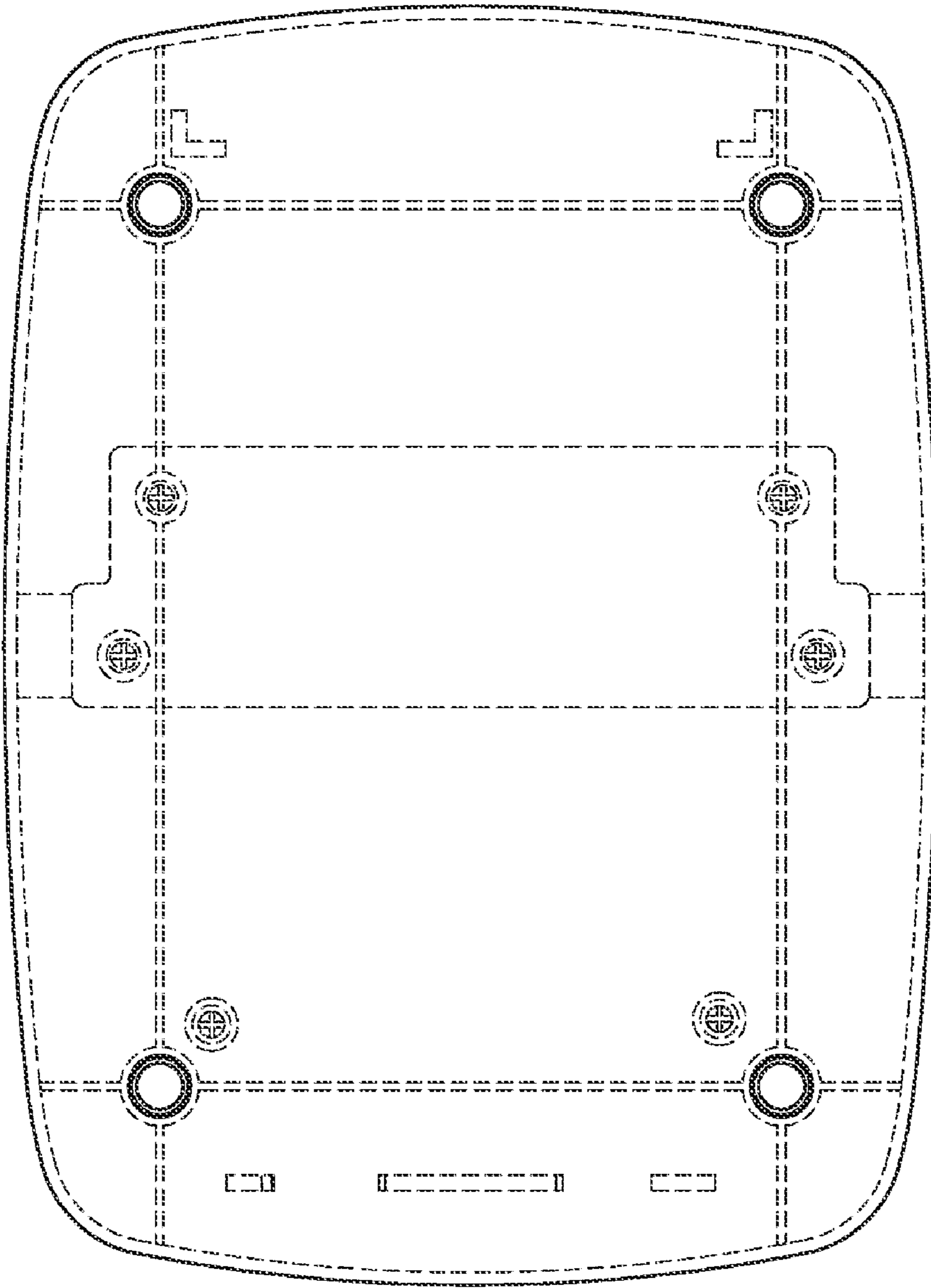


Fig. 7