

US00D597186S

(12) **United States Design Patent**
Campbell et al.

(10) **Patent No.:** **US D597,186 S**
(45) **Date of Patent:** **** Jul. 28, 2009**

(54) **HUMIDIFIER**

(75) Inventors: **Glennbruce S. Campbell**, Memphis, TN
(US); **Robert Schultz**, Memphis, TN
(US); **Nicole A Moody**, Memphis, TN
(US)

(73) Assignee: **Hunter Fan Company**, Memphis, TN
(US)

(**) Term: **14 Years**

(21) Appl. No.: **29/305,144**

(22) Filed: **Mar. 14, 2008**

(51) **LOC (9) Cl.** **23-04**

(52) **U.S. Cl.** **D23/356**

(58) **Field of Classification Search** D23/356,
D23/355, 364, 359, 360, 362, 352, 366, 369,
D23/332, 333, 335, 336, 342, 351; 422/120,
422/122; 55/356, 473, 504; 96/97; D14/188,
D14/170, 172; 261/DIG. 17, DIG. 65, DIG. 88,
261/DIG. 31

See application file for complete search history.

(56) **References Cited**

U.S. PATENT DOCUMENTS

D288,597 S	3/1987	Young Se	D23/146
D337,634 S	7/1993	Copland et al.	D23/356
D358,461 S	5/1995	Barker et al.	D23/356
D375,349 S	11/1996	Gonzales	D23/356
D390,937 S	2/1998	Moore	D23/356
D393,703 S	4/1998	Gilbertson	D23/355
D394,099 S	5/1998	Tsuji	D23/356
D397,196 S	8/1998	Tsuji	D23/356
D402,744 S	12/1998	Zuege	D23/356
D408,511 S	4/1999	Allen et al.	D23/356
D413,661 S	9/1999	Litvin et al.	D23/356
D431,641 S *	10/2000	Wilson, Jr.	D23/356
D438,944 S *	3/2001	Terpko et al.	D23/364
D455,482 S *	4/2002	Krauss	D23/356
D459,456 S	6/2002	Campbell	D23/356
D475,772 S	6/2003	Birsdell et al.	D23/356

D484,962 S *	1/2004	Best et al.	D23/356
D486,900 S *	2/2004	Keller et al.	D23/356
D488,854 S	4/2004	Stauffer	D23/364
D500,847 S *	1/2005	Manke et al.	D23/356
D508,735 S	8/2005	Klein	D23/359
D516,192 S *	2/2006	Kang	D23/356
D516,689 S	3/2006	Salmon et al.	D23/364
D529,161 S	9/2006	De'Longhi	D23/364
D534,636 S	1/2007	David et al.	D23/351
D535,372 S	1/2007	Kaizuka	D23/360
D539,403 S *	3/2007	Pino	D23/351
D542,903 S *	5/2007	Caserta et al.	D23/366
D548,314 S	8/2007	Huang	D23/356
D569,957 S *	5/2008	Shapiro	D23/332
D569,958 S *	5/2008	Snow et al.	D23/356
D572,352 S *	7/2008	Chiu	D23/333
D572,355 S *	7/2008	Gao	D23/356

* cited by examiner

Primary Examiner—T. Chase Nelson

Assistant Examiner—David G Muller

(74) *Attorney, Agent, or Firm*—Baker Donelson et al.

(57) **CLAIM**

The ornamental design for a humidifier, as shown and described.

DESCRIPTION

FIG. 1 is a perspective view of a humidifier showing our new design.

FIG. 2 is a right side view thereof.

FIG. 3 is a left side view thereof.

FIG. 4 is a rear view thereof.

FIG. 5 is a front view thereof.

FIG. 6 is a top view thereof; and,

FIG. 7 is a bottom view thereof.

The portions of the humidifier shown in broken lines depict environmental subject matter only and form no part of the claimed design.

1 Claim, 4 Drawing Sheets

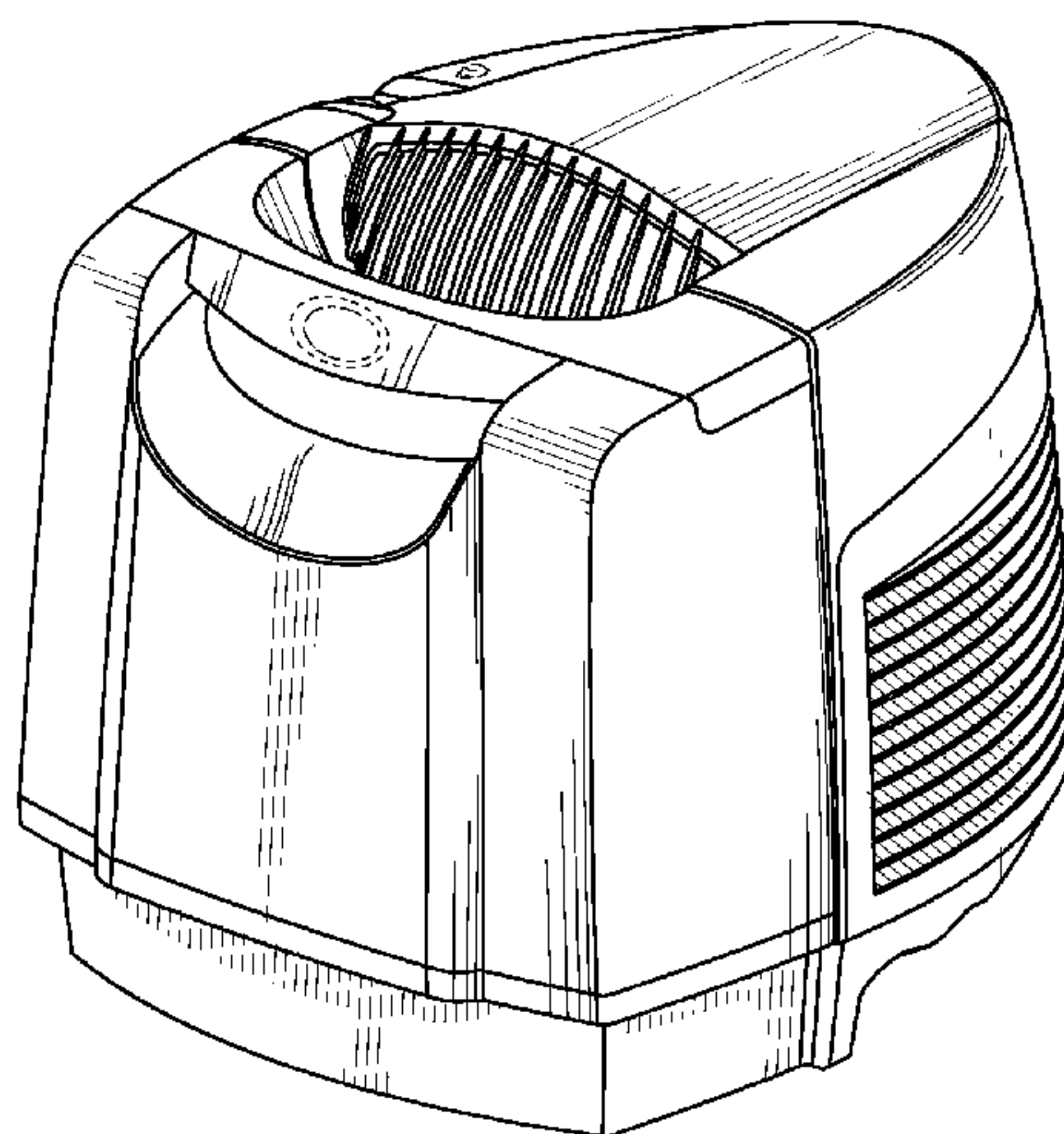


Fig. 1

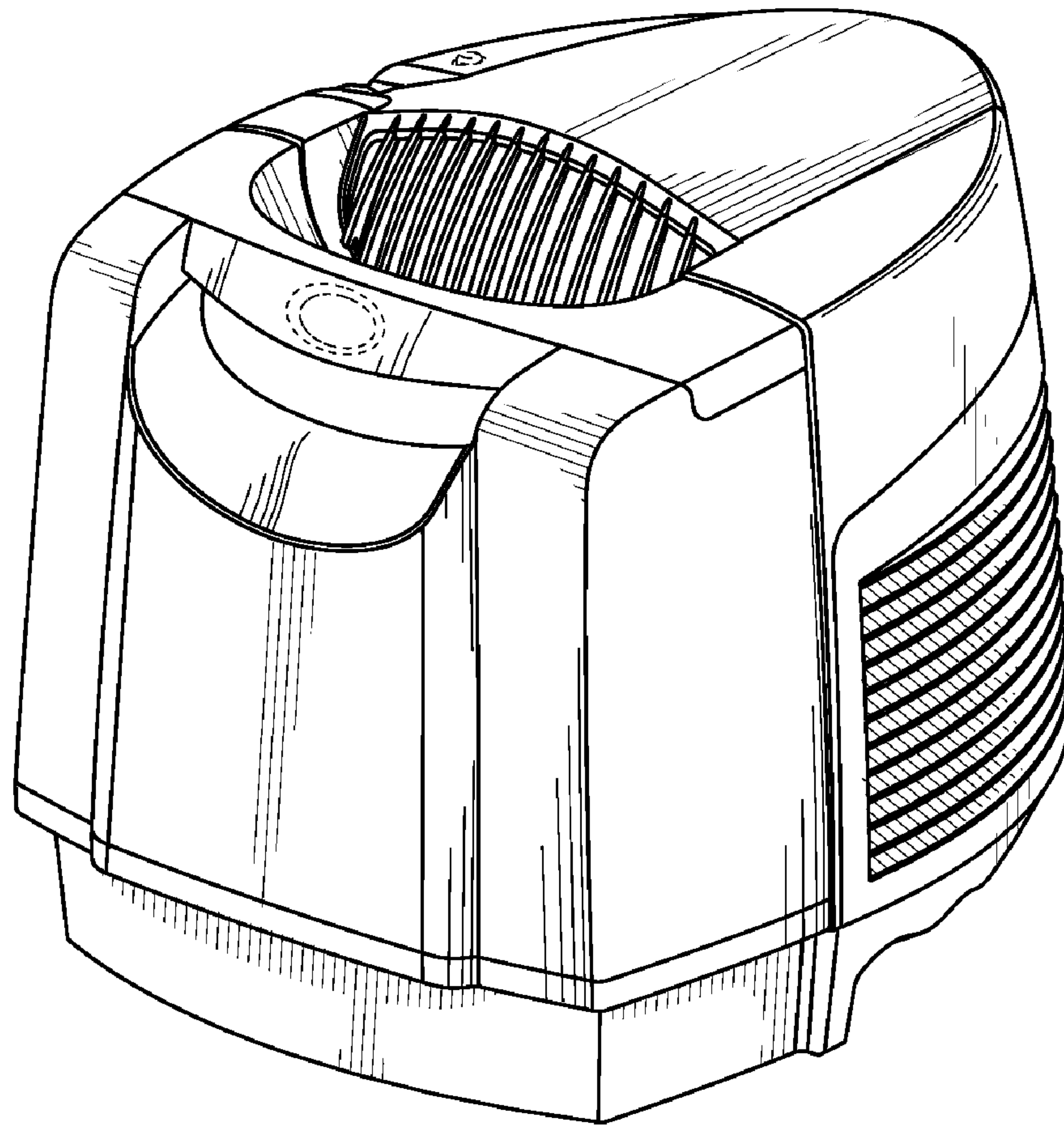


Fig. 2

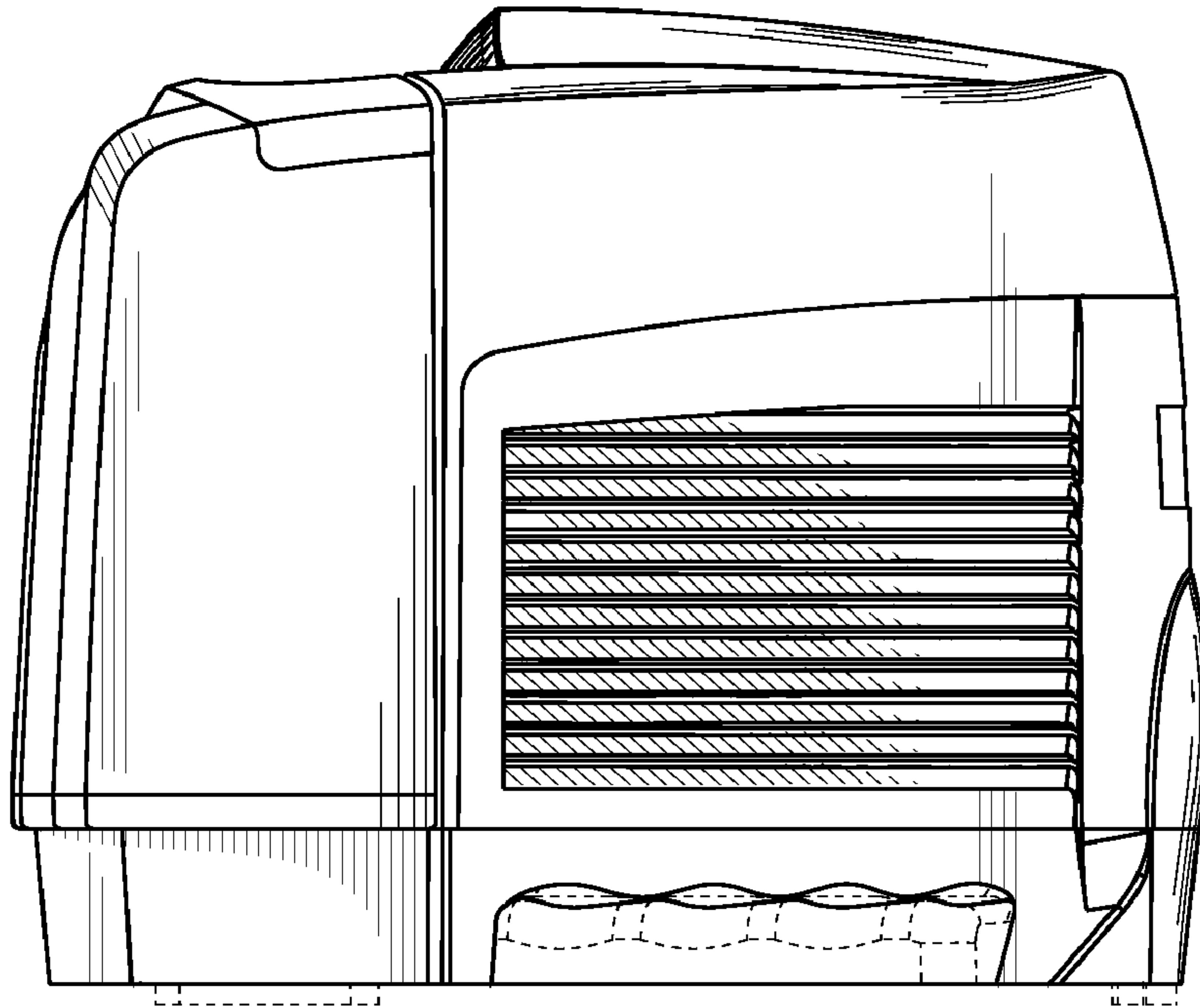


Fig. 3

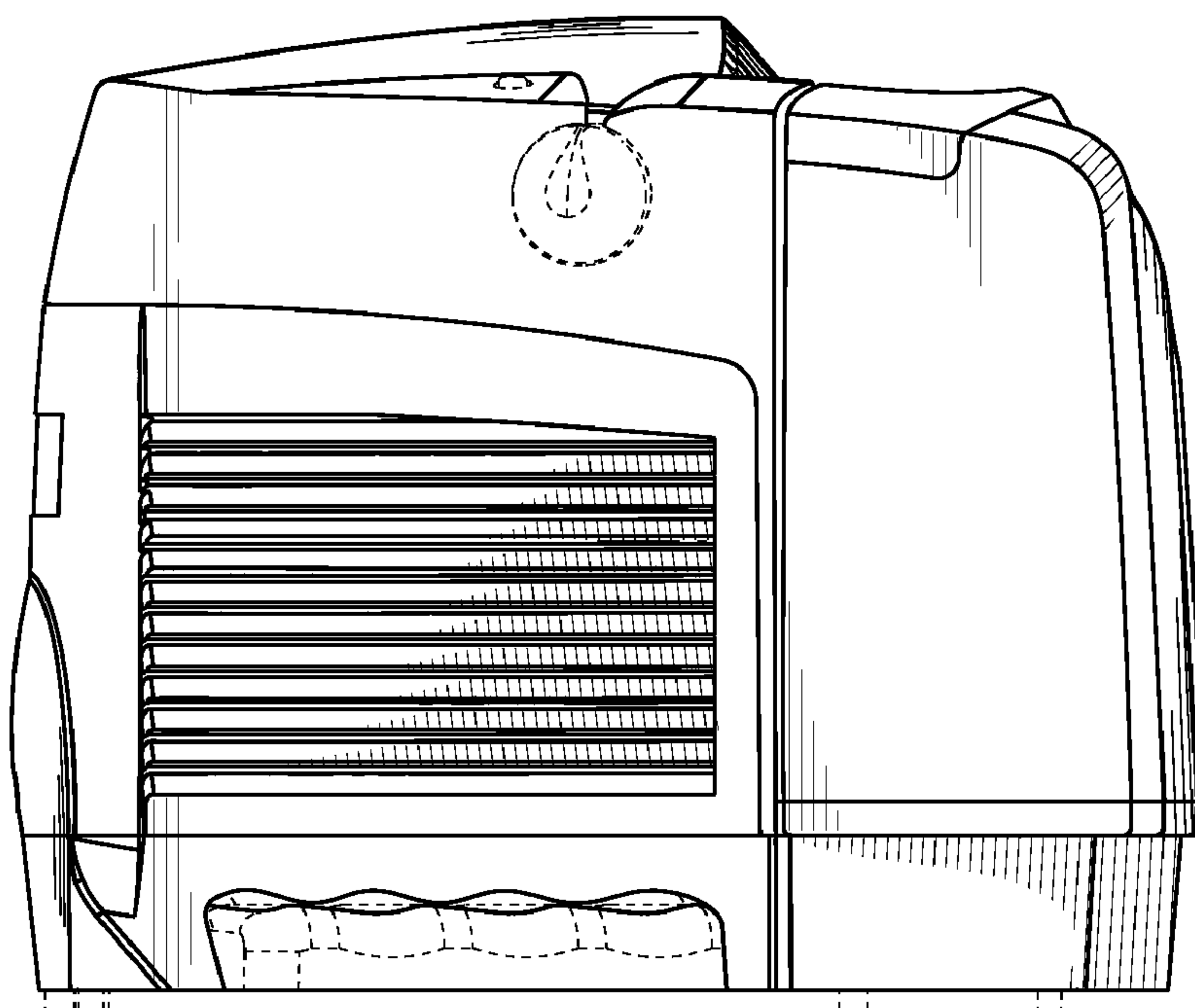


Fig. 4

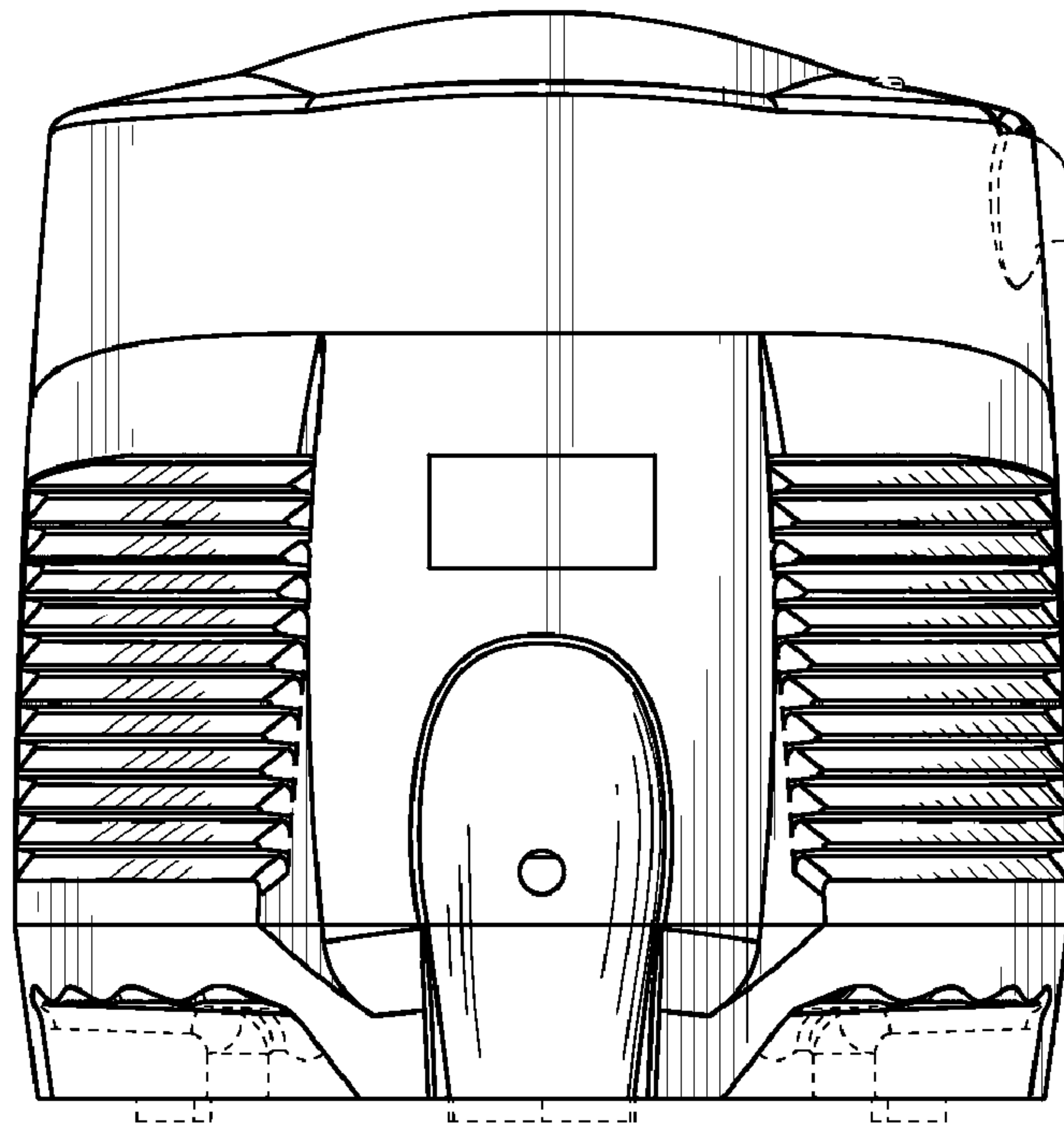


Fig. 5

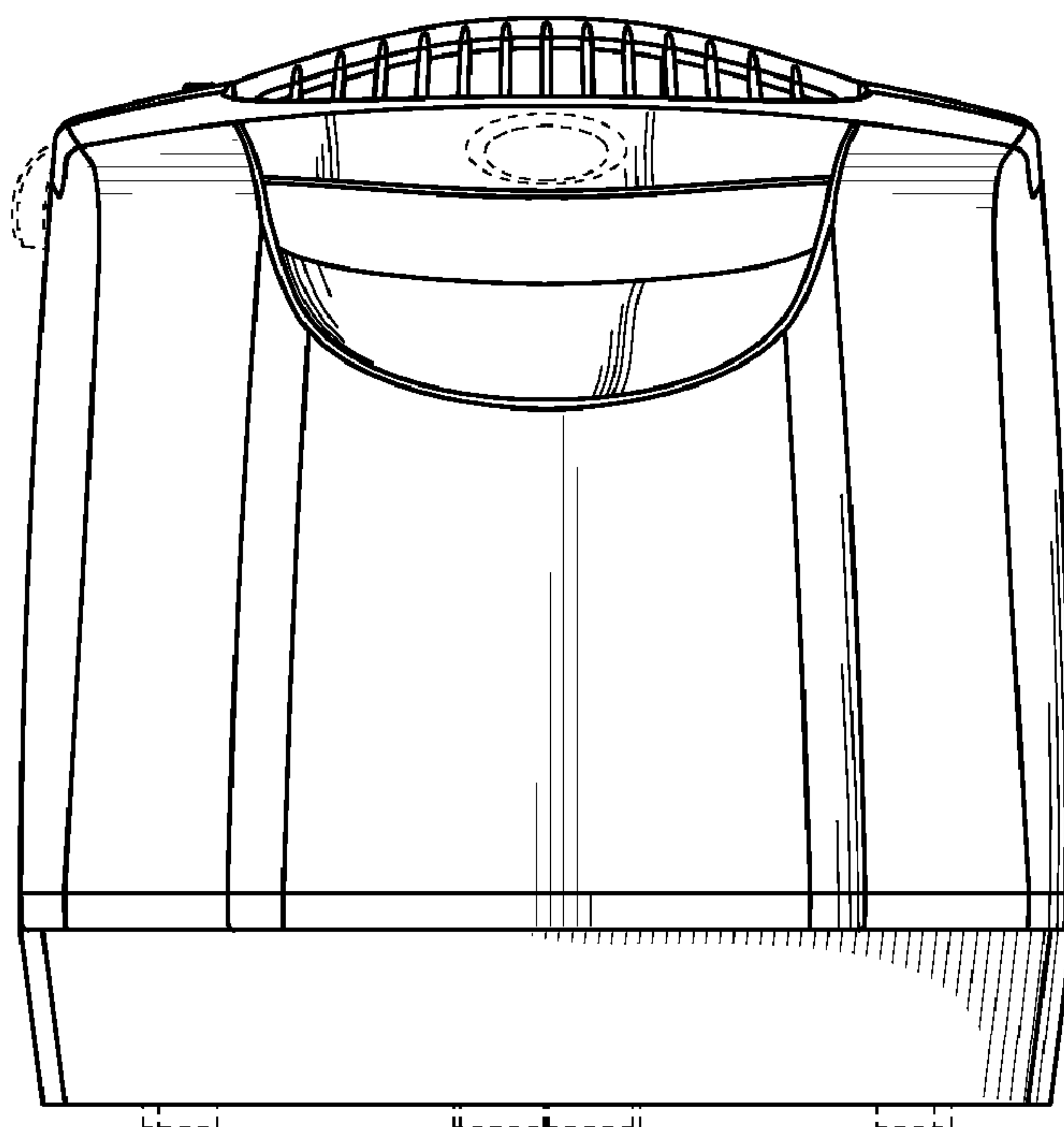


Fig. 7

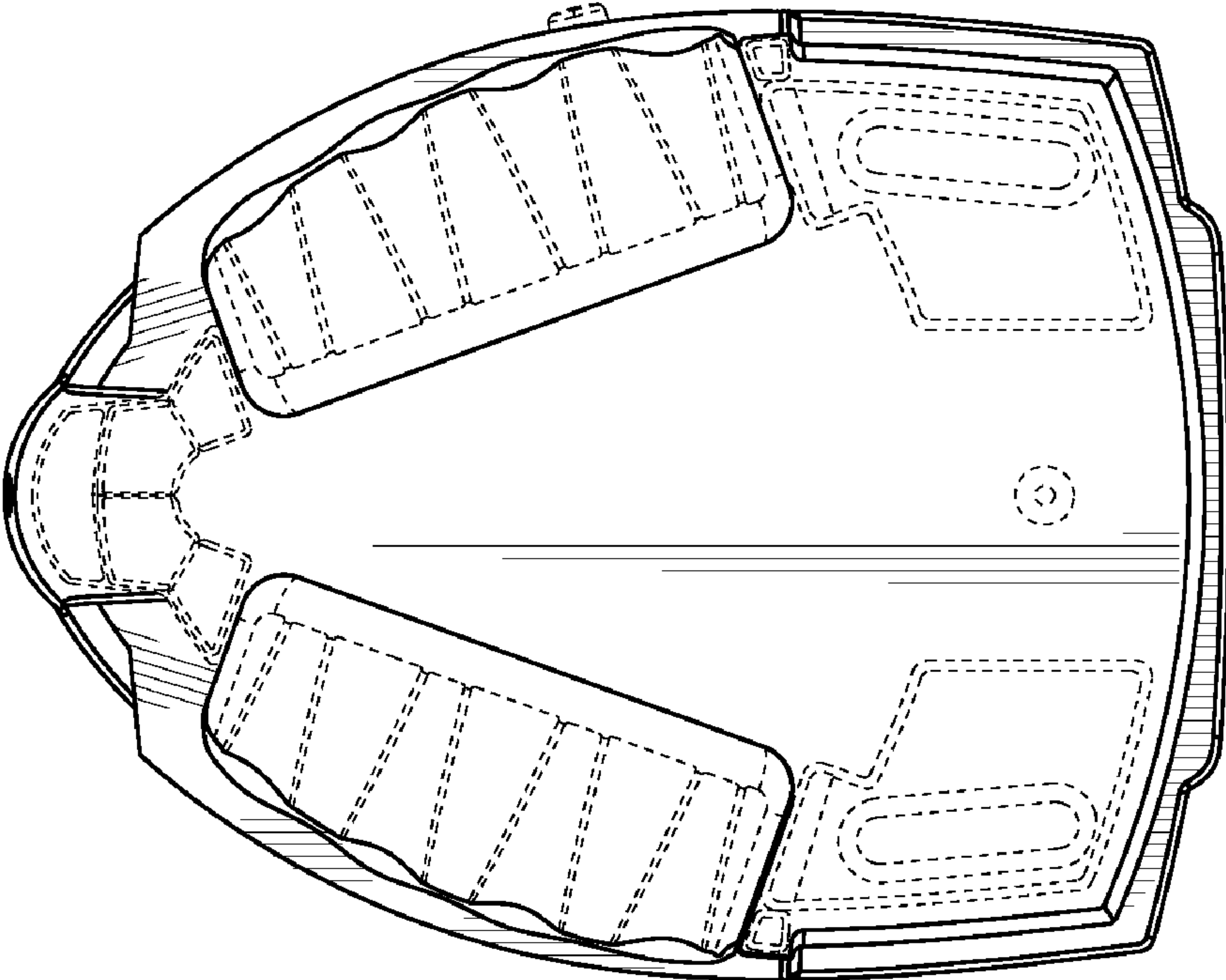


Fig. 6

