



US00D597185S

(12) **United States Design Patent**
Faynshteyn

(10) **Patent No.:** **US D597,185 S**
(45) **Date of Patent:** **** Jul. 28, 2009**

(54) **AIR CONDITIONING DEVICE**

D407,807 S * 4/1999 Rao D23/351

(75) Inventor: **Vladimir Faynshteyn**, Moscow (RU)

* cited by examiner

(73) Assignee: **Texton Corporation LLC**, Wilmington, DE (US)

Primary Examiner—Brian N Vinson
(74) *Attorney, Agent, or Firm*—Dr. D. Graeser Ltd.; Dvorah Graeser

(**) Term: **14 Years**

(21) Appl. No.: **29/309,757**

(22) Filed: **Oct. 6, 2008**

(57) **CLAIM**

The ornamental design for an air conditioning device, as shown and described.

(30) **Foreign Application Priority Data**

Apr. 8, 2008 (IL) 45809

DESCRIPTION

(51) **LOC (9) Cl.** **23-04**

(52) **U.S. Cl.** **D23/351**

(58) **Field of Classification Search** D23/351-354;
312/236; 62/259.1, 259.4, 262-263, 304;
454/330-331, 349-350

See application file for complete search history.

FIG. 1: Perspective view of the air conditioning device;
FIG. 2: Front view thereof;
FIG. 3: Left side view thereof;
FIG. 4: Right side view thereof;
FIG. 5: Top plan view thereof; and,
FIG. 6: Bottom plan view thereof.

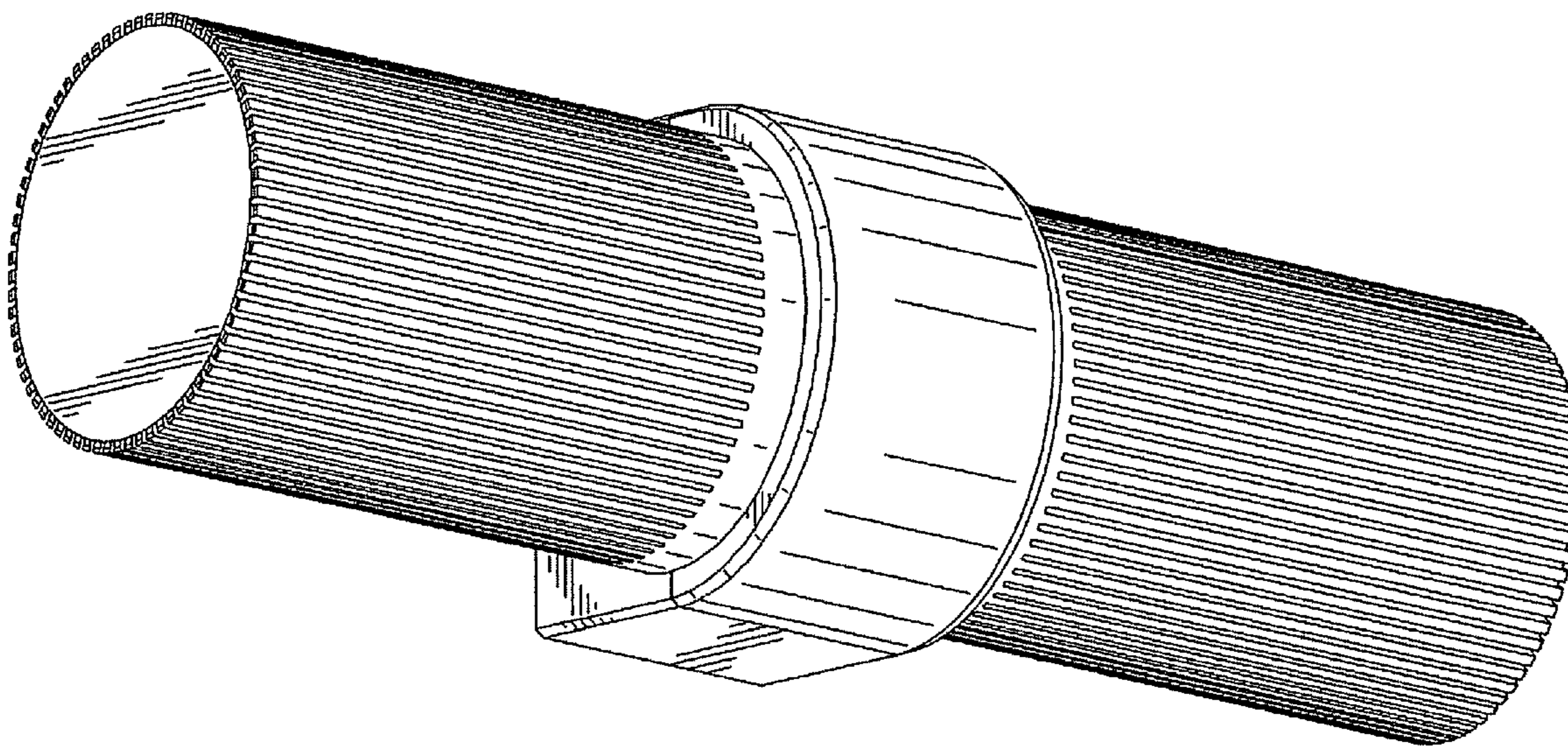
(56) **References Cited**

U.S. PATENT DOCUMENTS

D405,170 S * 2/1999 Haeck D23/351

The back of the air conditioning device is flat and unornamented and is mounted on the wall or other support.

1 Claim, 6 Drawing Sheets



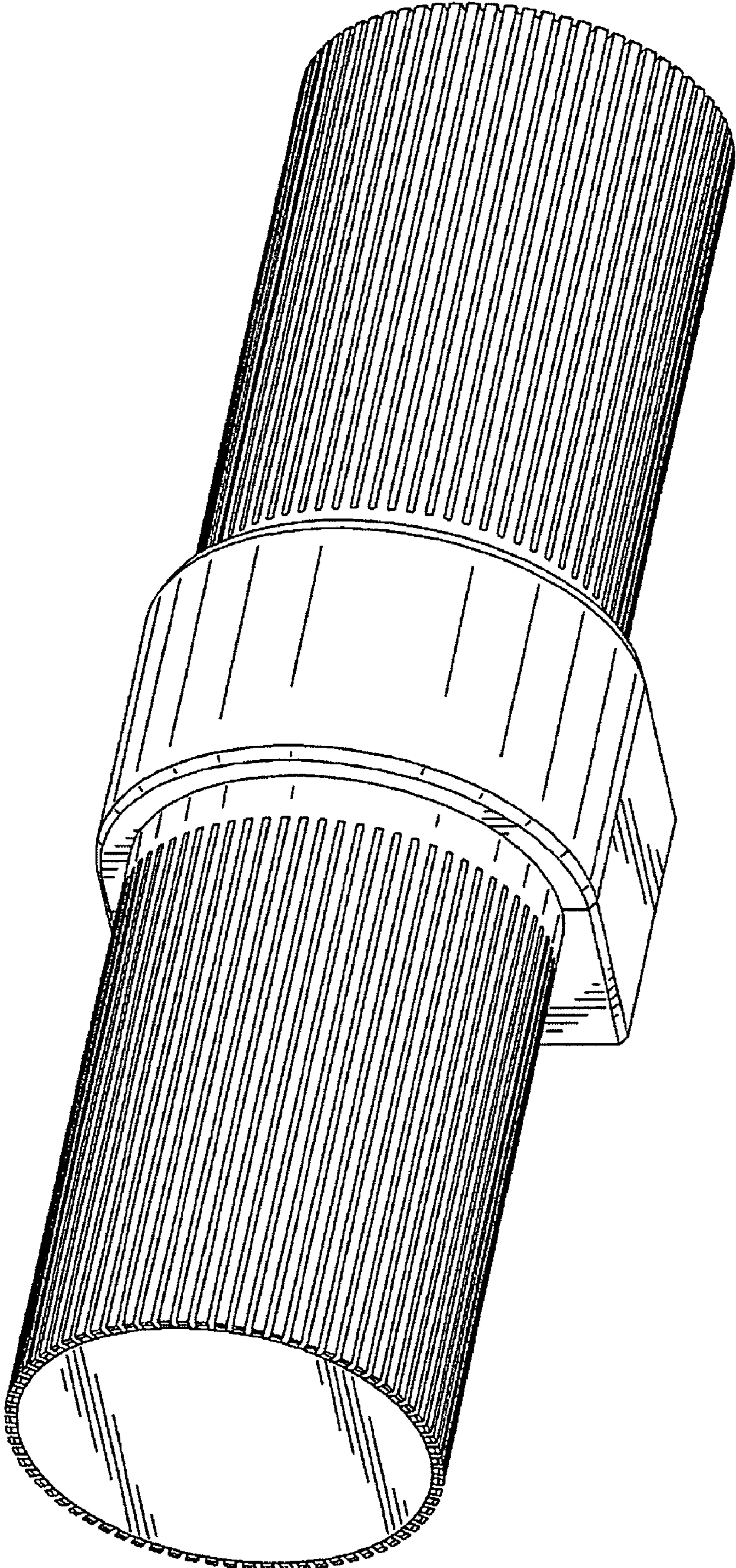


FIG. 1

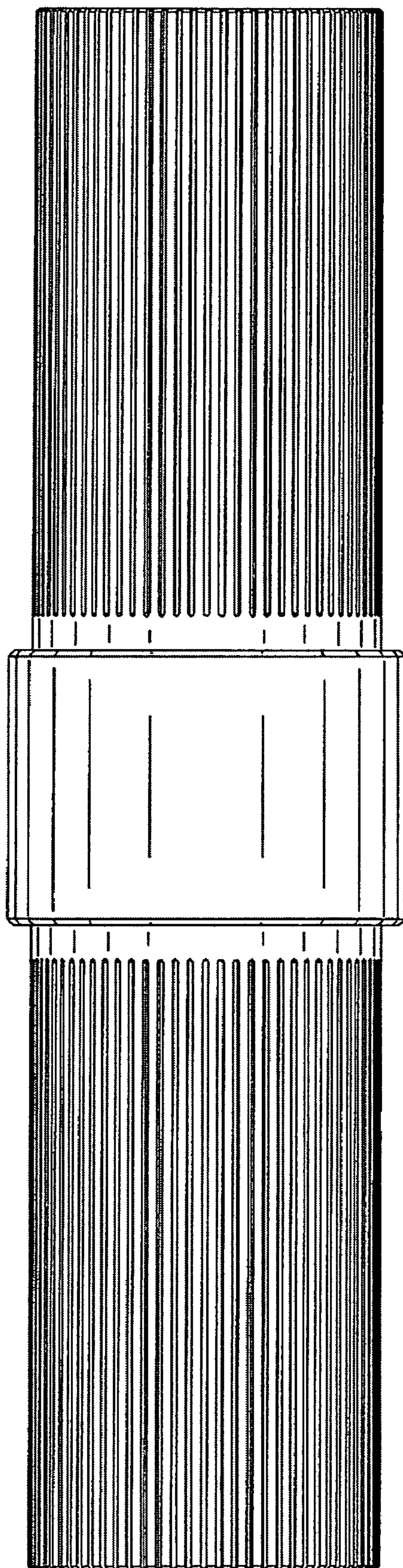


FIG. 2

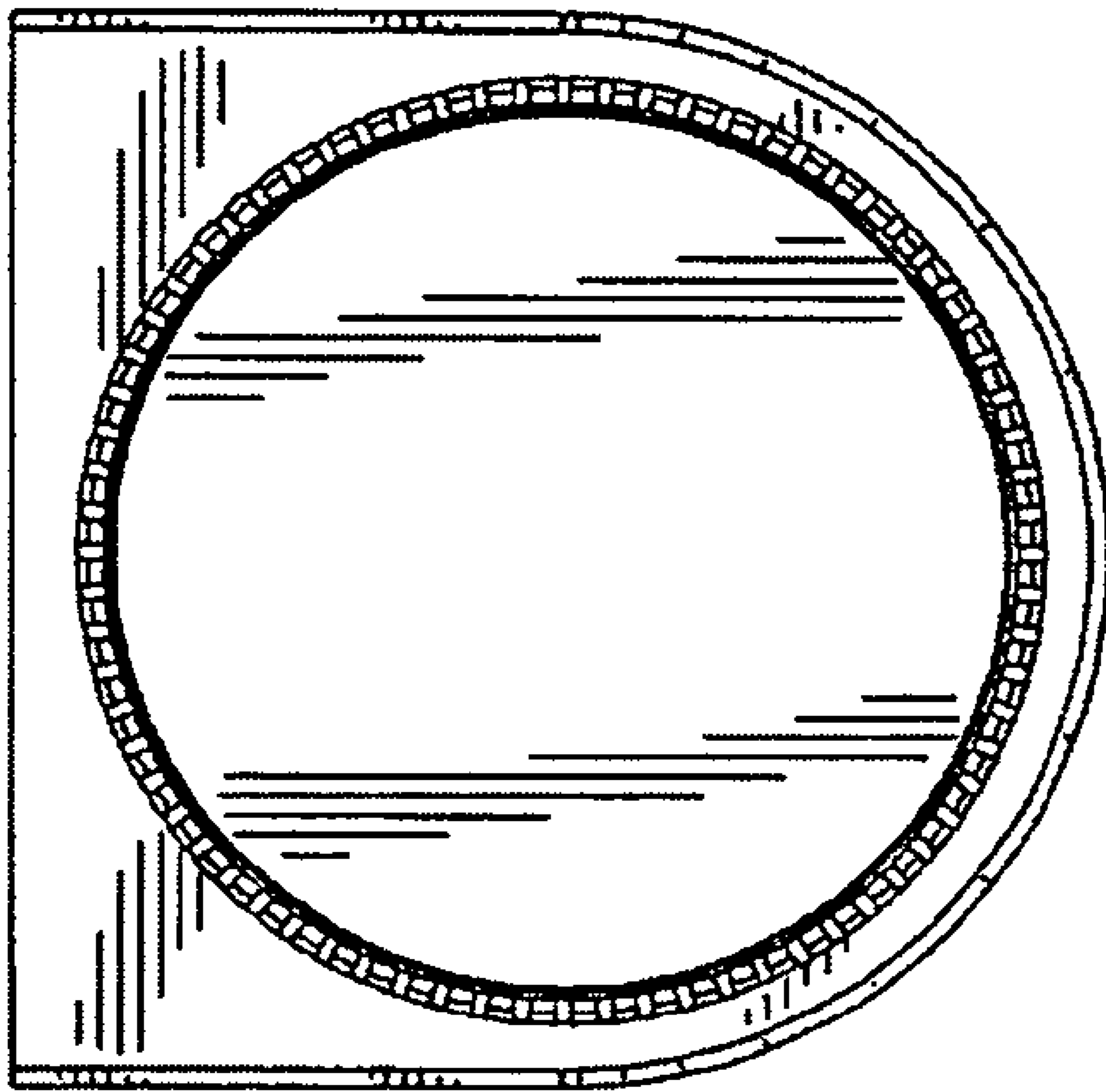


FIG. 3

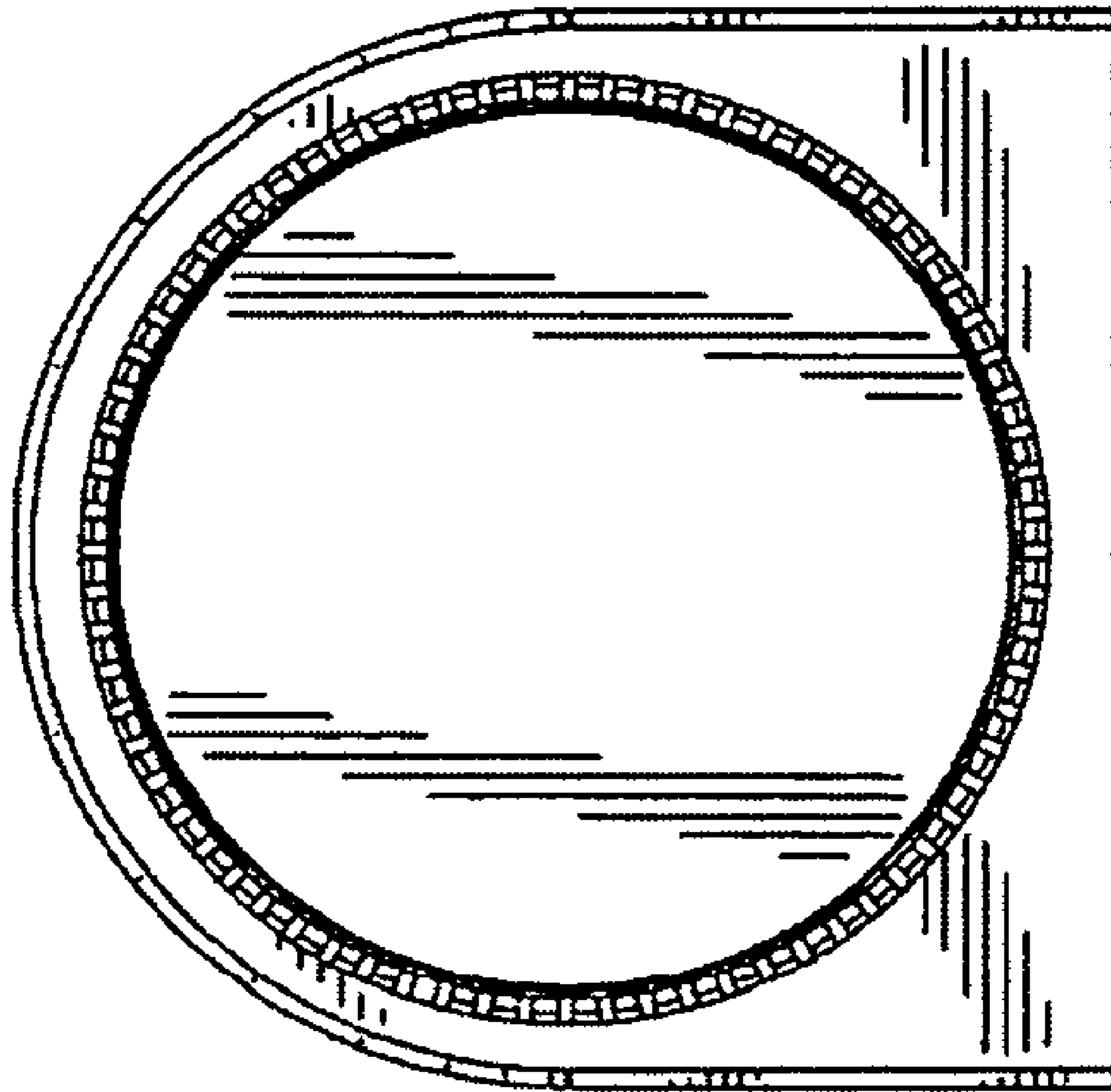


FIG. 4

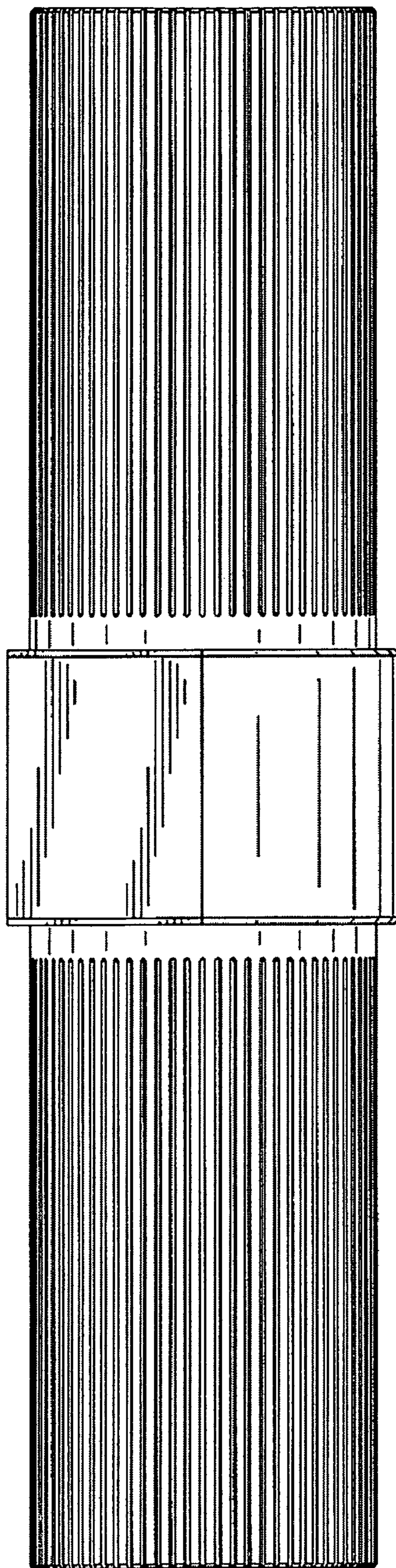


FIG. 5

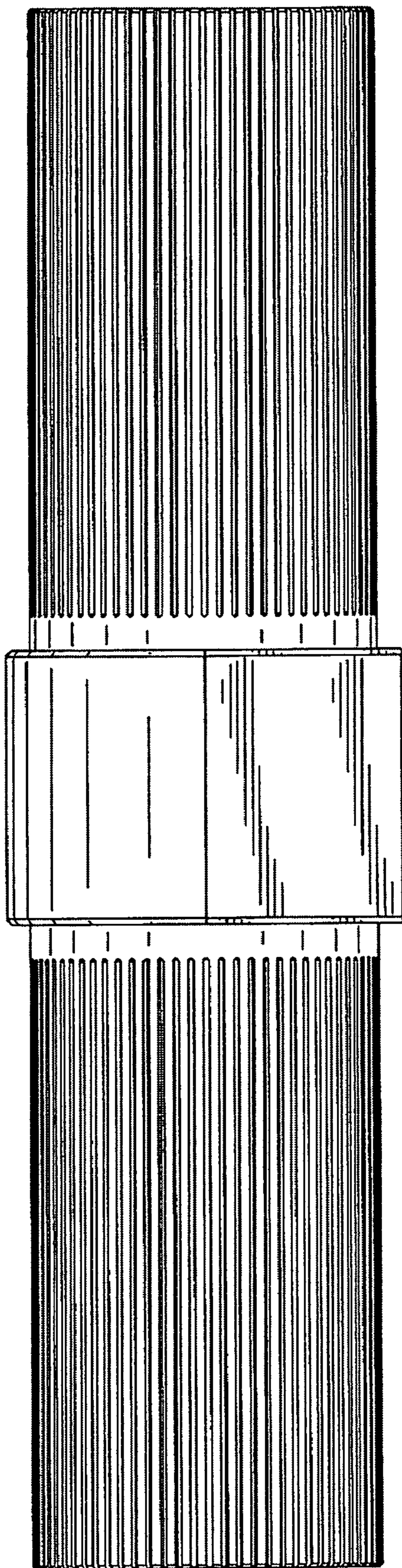


FIG. 6