

US00D597182S

(12) **United States Design Patent**
Choi

(10) **Patent No.:** **US D597,182 S**
(45) **Date of Patent:** **** Jul. 28, 2009**

(54) **FITTING**

4,712,810 A * 12/1987 Pozzi 285/93
5,213,375 A * 5/1993 Wu 285/38

(76) Inventor: **Yuk Nam Choi**, 2235-202,
Jindalreamaeul, WonmiGu Bucheonsi,
GyeonggiDo (KR)

* cited by examiner

(**) Term: **14 Years**

Primary Examiner—Cathron C Brooks
Assistant Examiner—Michael A Pratt
(74) *Attorney, Agent, or Firm*—Notaro & Michalos P.C.

(21) Appl. No.: **29/304,468**

(22) Filed: **Mar. 3, 2008**

(57) **CLAIM**

(30) **Foreign Application Priority Data**

The ornamental design for a fitting, as shown and described.

Sep. 26, 2007 (EP) 000796933

DESCRIPTION

(51) **LOC (9) Cl.** **23-01**

(52) **U.S. Cl.** **D23/263**

(58) **Field of Classification Search** D23/213,
D23/249, 257, 259, 260, 261, 262, 263, 264,
D23/265, 266, 267, 268; 285/89, 93, 305,
285/322, 323, 308, 348, 351, 422, 906; D15/7;
4/675–678; 403/291, 300

FIG. 1 is a top plan view of a fitting showing my new design therefor, the portions shown in broken lines forming no part of the design;

FIG. 2 is a front elevational view thereof, the rear elevational view being identical;

See application file for complete search history.

FIG. 3 is a left side view thereof, the right side view being identical to FIG. 1, the portions shown in broken lines forming no part of the design; and,

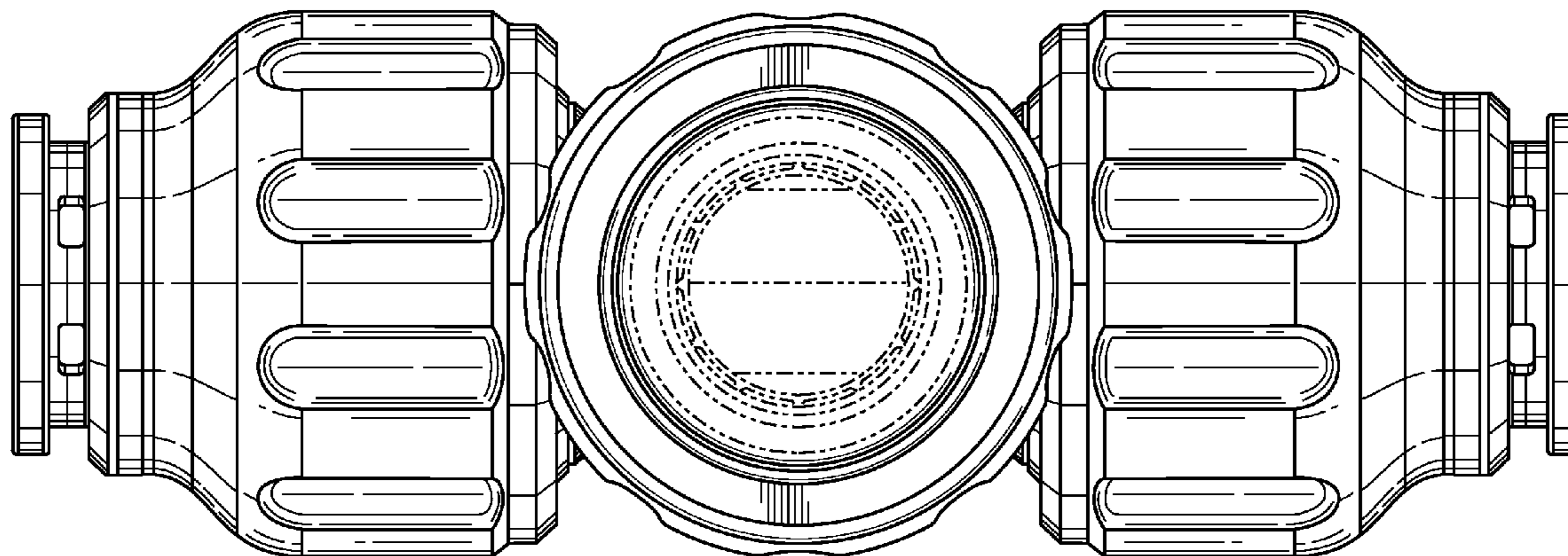
FIG. 4 is being a bottom plan view thereof.

(56) **References Cited**

U.S. PATENT DOCUMENTS

2,147,431 A * 2/1939 Ewing 285/179

1 Claim, 4 Drawing Sheets



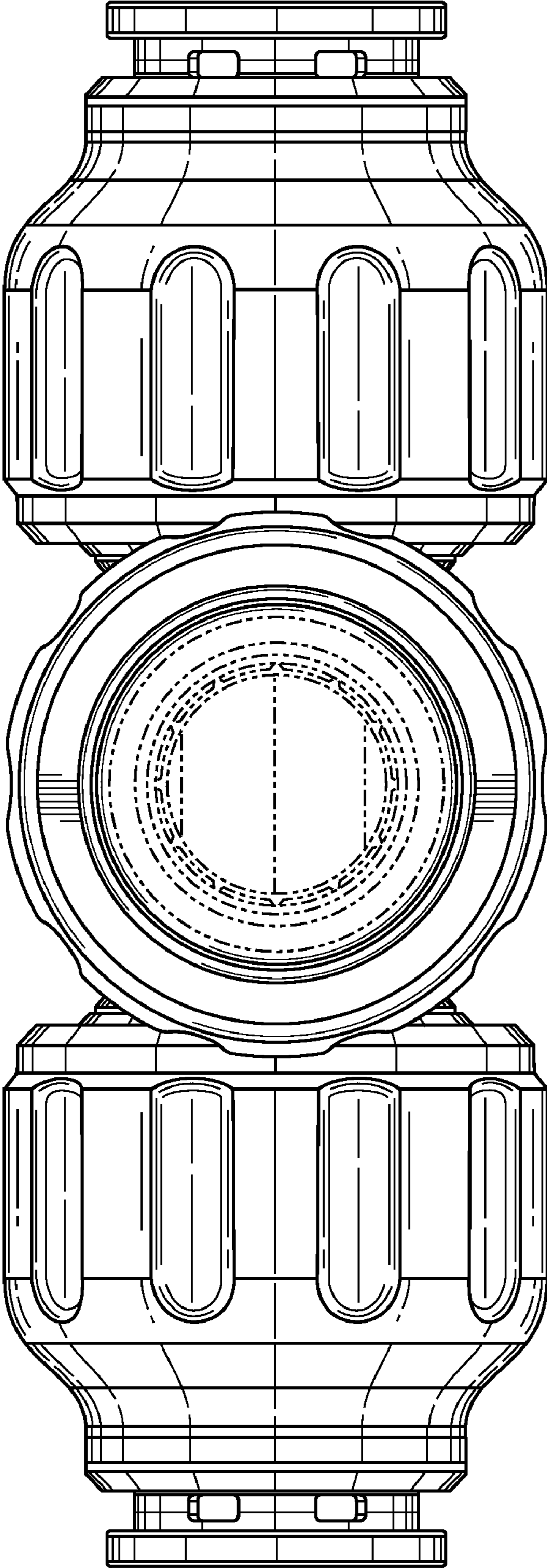


FIG. 1

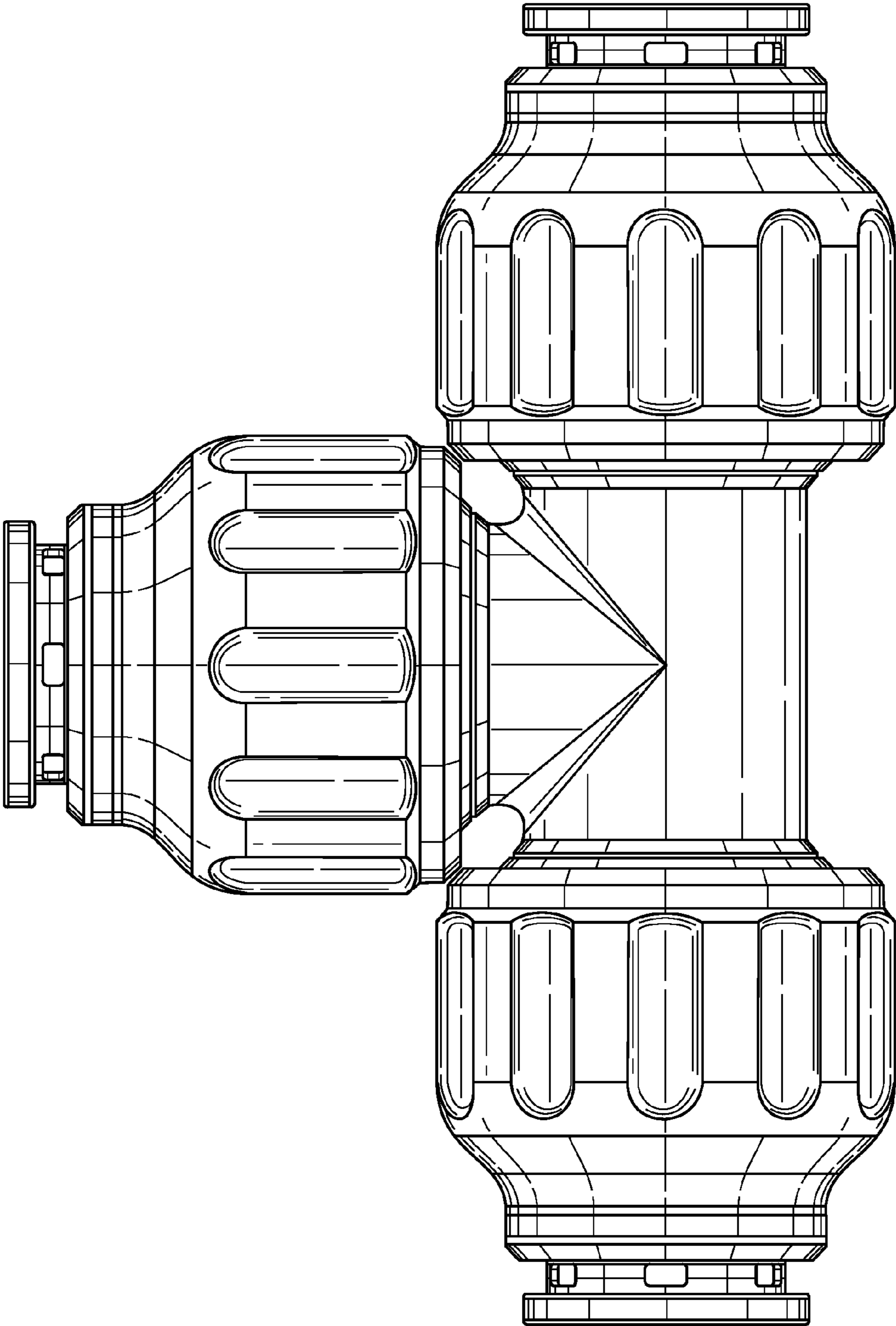


FIG. 2

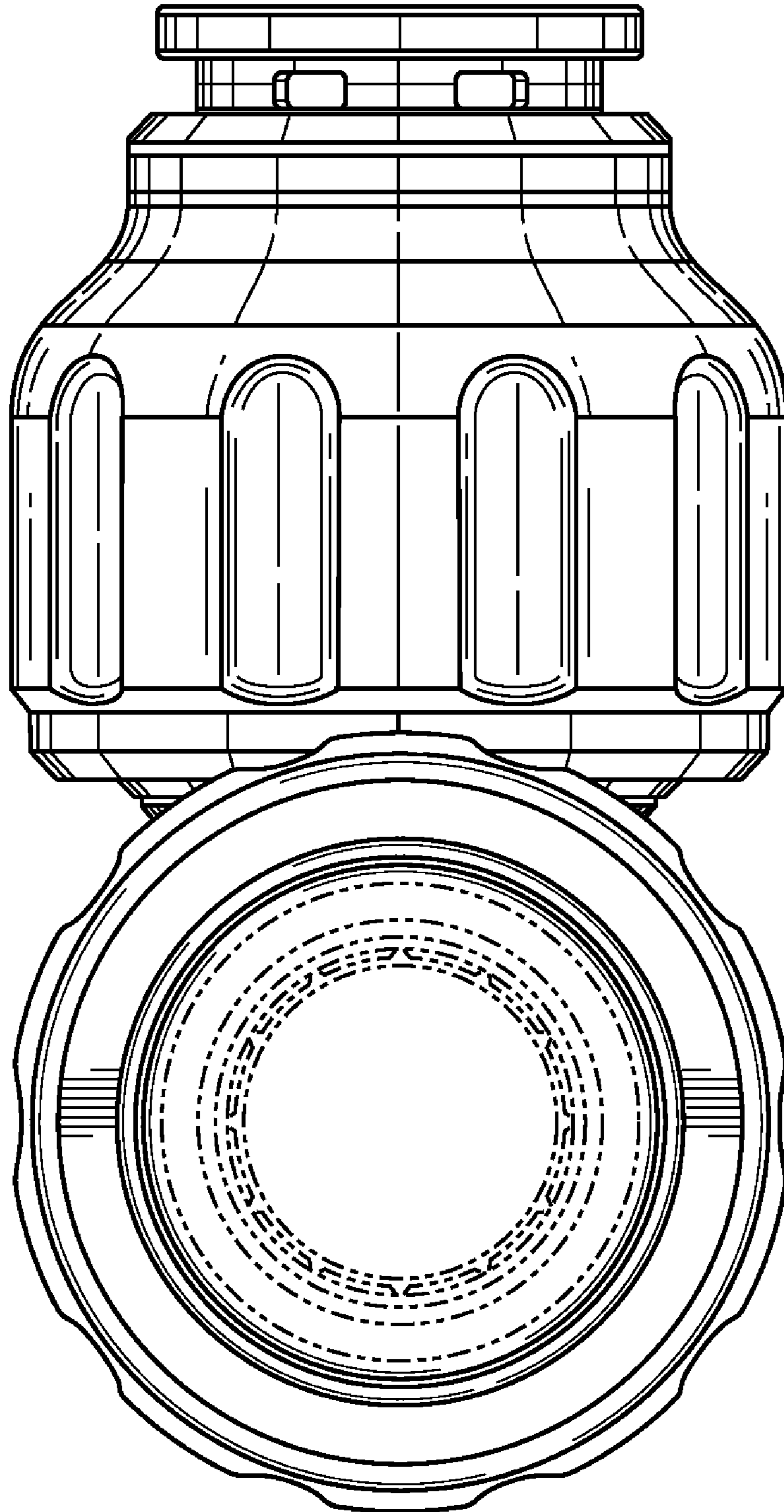


FIG. 3

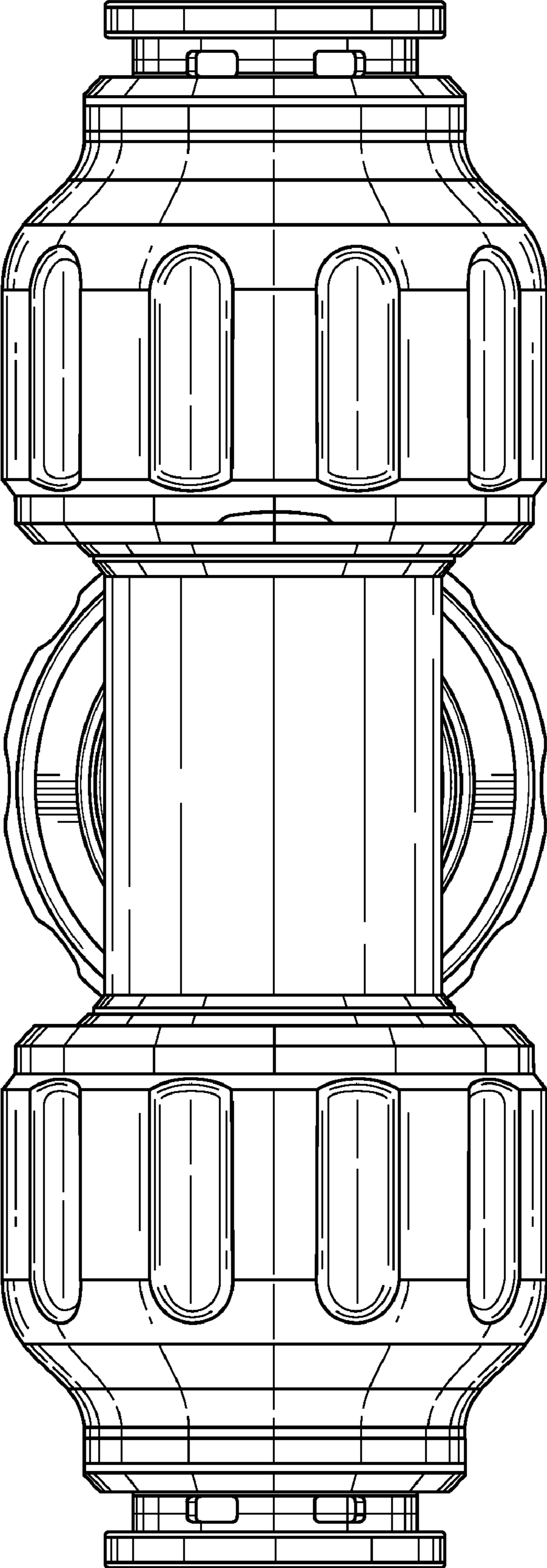


FIG. 4