



US00D597180S

(12) **United States Design Patent**  
**Starck**

(10) **Patent No.:** **US D597,180 S**  
(45) **Date of Patent:** **\*\* Jul. 28, 2009**

(54) **SHOWER CONTROL**

D494,254 S \* 8/2004 Citterio ..... D23/245  
D539,875 S \* 4/2007 Starck ..... D23/254

(75) Inventor: **Philippe Starck**, Paris (FR)

(73) Assignee: **Hansgrobe AG**, Schiltach (DE)

(\*\*) Term: **14 Years**

(21) Appl. No.: **29/323,173**

(22) Filed: **Aug. 20, 2008**

(30) **Foreign Application Priority Data**

Feb. 27, 2008 (EM) ..... 000887740

(51) **LOC (9) Cl.** ..... **23-01**

(52) **U.S. Cl.** ..... **D23/254**

(58) **Field of Classification Search** ..... D23/238-243,  
D23/250-254, 249, 228, 303-304; 4/675-677;  
137/801, 359; 16/110.1, 402; D8/300, 307-310,  
D8/350-358; D6/525, 546, 550, 800  
See application file for complete search history.

(56) **References Cited**

**U.S. PATENT DOCUMENTS**

D233,234 S \* 10/1974 Arbon ..... D23/228

**OTHER PUBLICATIONS**

Brochure—cisal 2006, 3 pgs., Rubinetteria Ciscal, S.p.A., Novara, Italy (at least as early as Aug. 29, 2006).

\* cited by examiner

*Primary Examiner*—Robert A Delehanty

(74) *Attorney, Agent, or Firm*—Nirav D. Parikh; Edgar A. Zarins

(57) **CLAIM**

The ornamental design for a shower control, as shown and described.

**DESCRIPTION**

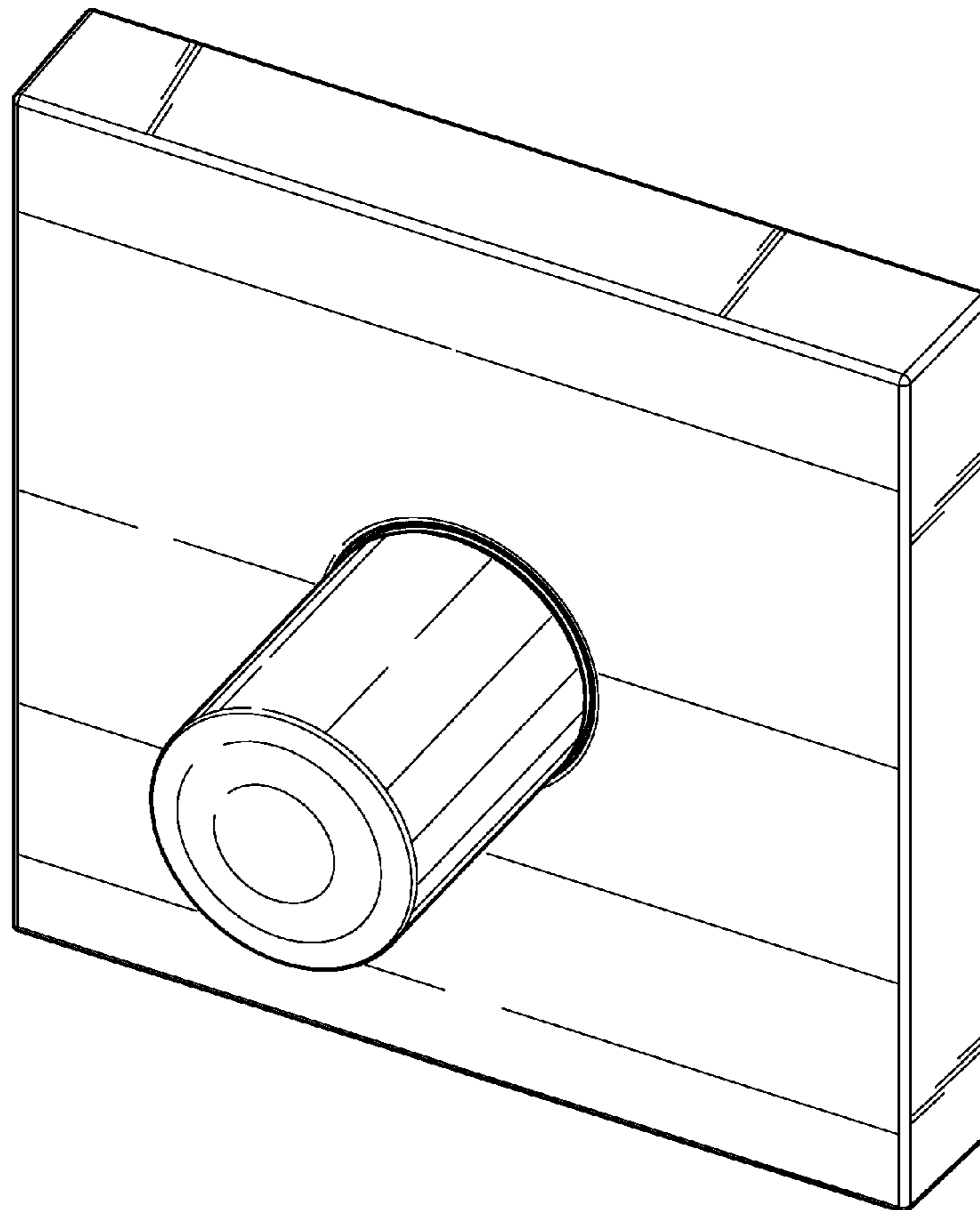
FIG. 1 is a front perspective view of a shower control showing my design;

FIG. 2 is a front elevational view thereof;

FIG. 3 is a left side elevational view; the right side elevational view being a mirror image thereof; and,

FIG. 4 is a top plan view thereof; the bottom plan view being a mirror image thereof.

**1 Claim, 4 Drawing Sheets**



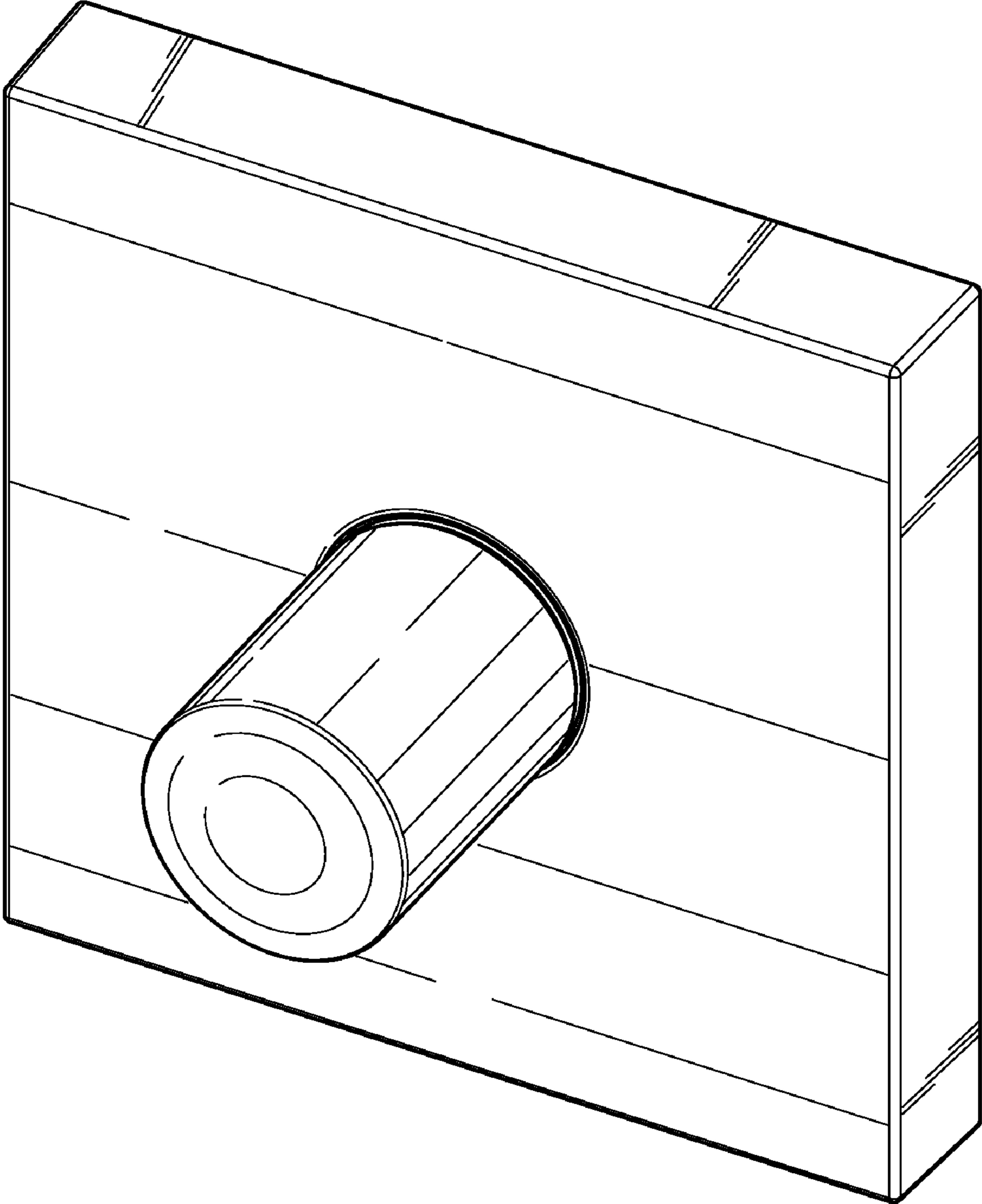


FIG. 1

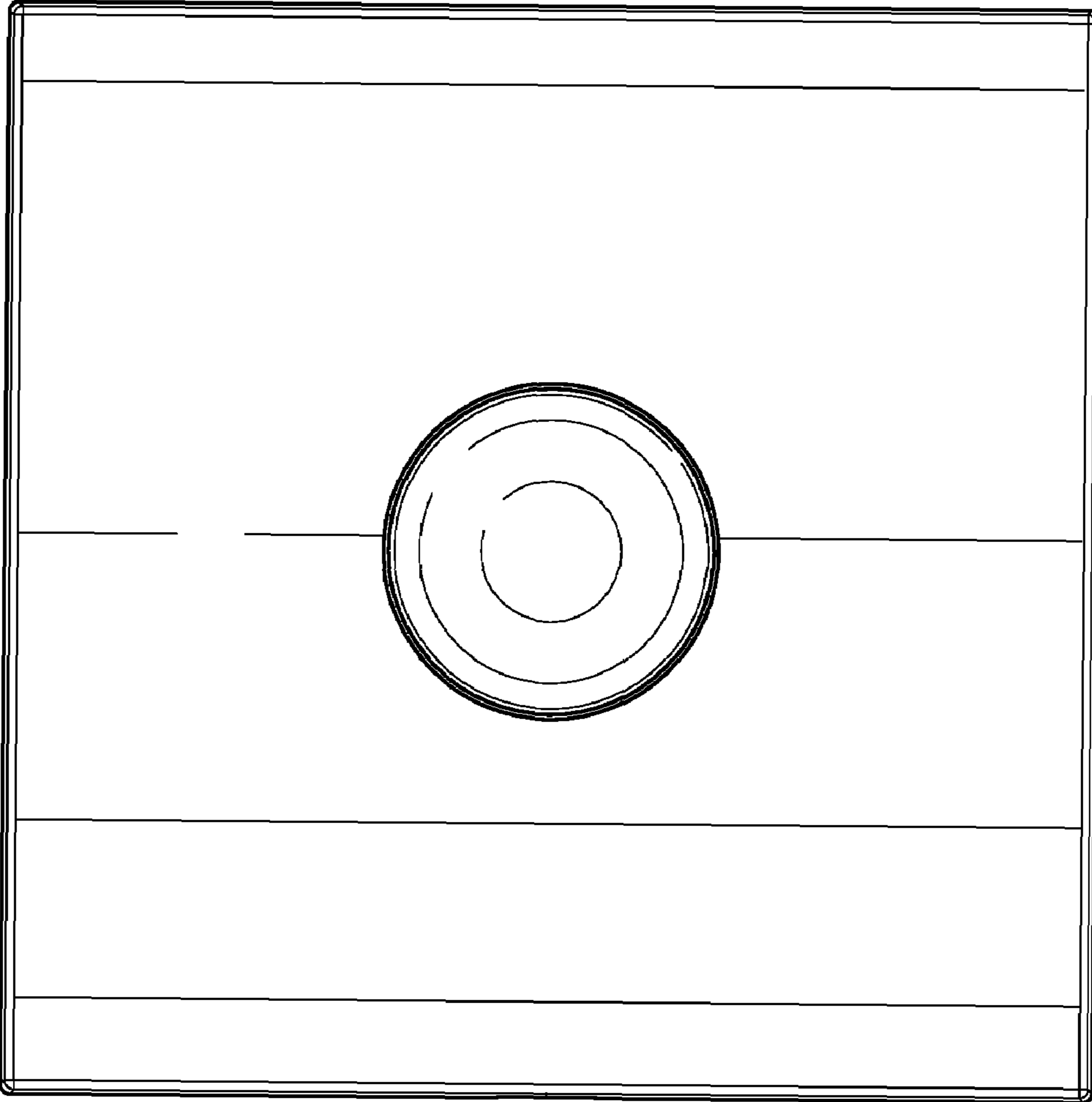


FIG. 2

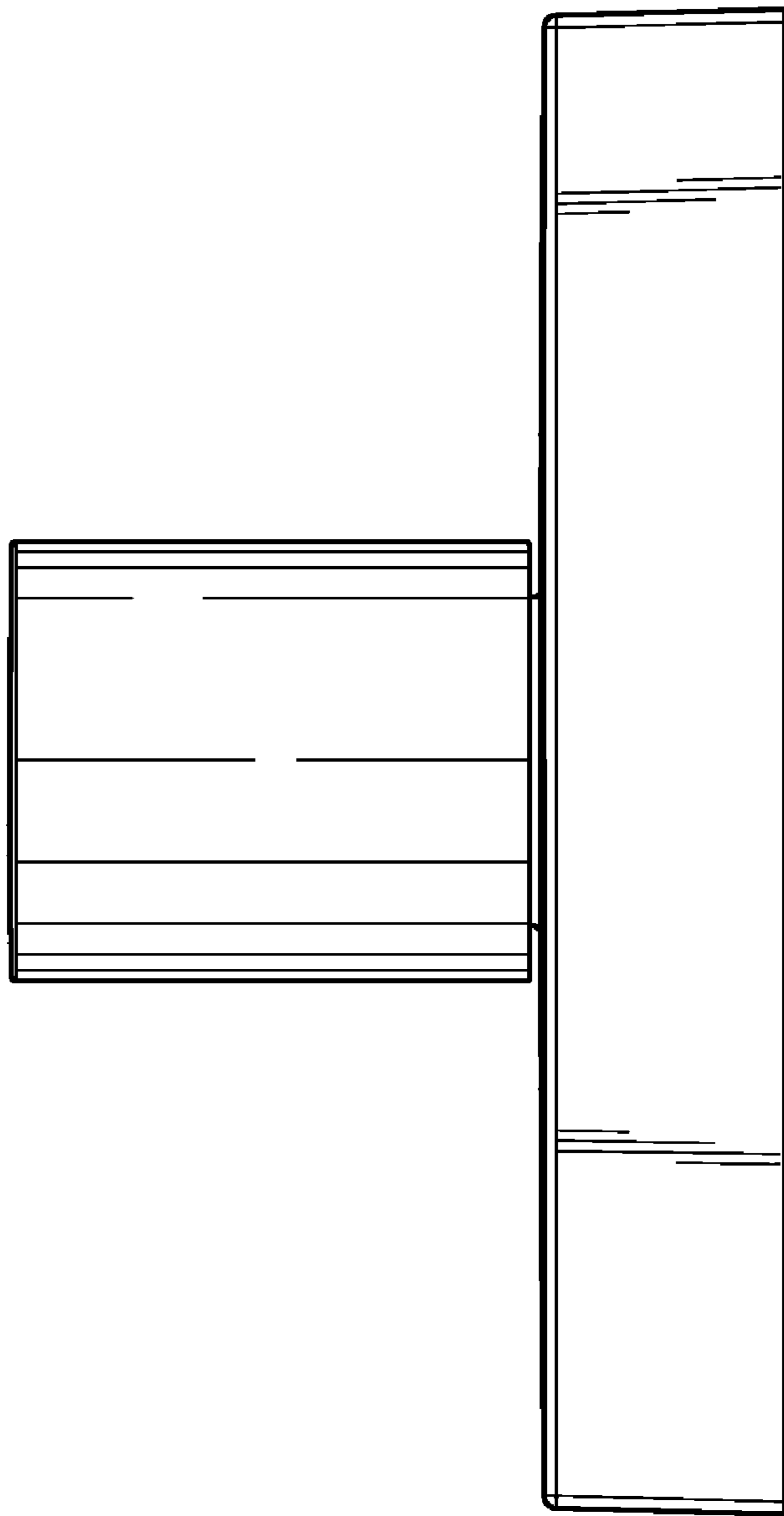


FIG. 3

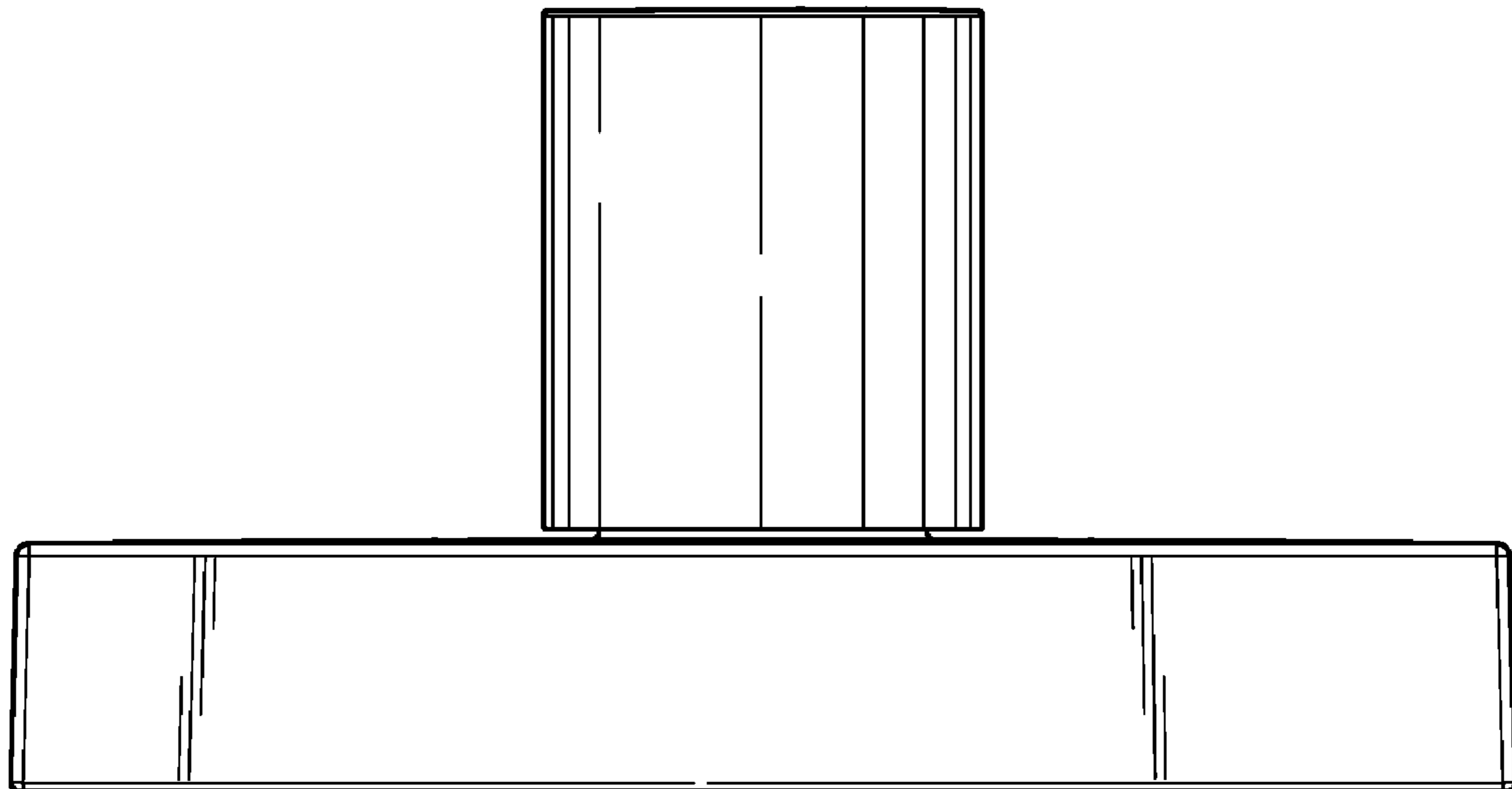


FIG. 4