



US00D597179S

(12) **United States Design Patent**
Schoenherr et al.

(10) **Patent No.:** **US D597,179 S**
(45) **Date of Patent:** **** Jul. 28, 2009**

(54) **SHOWER CONTROL**

(75) Inventors: **Tom Schoenherr**, Stuttgart (DE); **Erkan Bilgic**, Stuttgart (DE)

(73) Assignee: **Hansgrohe AG**, Schiltach (DE)

(**) Term: **14 Years**

(21) Appl. No.: **29/322,036**

(22) Filed: **Jul. 29, 2008**

(30) **Foreign Application Priority Data**

Jan. 31, 2008 (EP) 000870290-0001

(51) **LOC (9) Cl.** **23-01**

(52) **U.S. Cl.** **D23/254**

(58) **Field of Classification Search** D23/238–243,
D23/250–254, 249; 4/675–677; 137/801,
137/359; 16/110.1, 402; D8/300, 307–310,
D8/350–358; D6/525, 546, 550, 800

See application file for complete search history.

(56) **References Cited**

U.S. PATENT DOCUMENTS

D188,714 S * 8/1960 Blum et al. D6/550
D202,029 S * 8/1965 Bonistall D8/352
6,321,777 B1 * 11/2001 Wu 137/357
D570,452 S * 6/2008 Tsai D23/249

OTHER PUBLICATIONS

Brochure—Ramon Soler Taps & Mixers Collection, 3 pgs., Ramon Soler S.A., Barcelona, Spain (at least as early as Jan. 25, 2006).

Brochure—XESS design line, 3 pgs., Alpi s.r.l., Gattico, Italy (at least as early as Mar. 2, 2004).

* cited by examiner

Primary Examiner—Robert A Delehanty

(74) *Attorney, Agent, or Firm*—Nirav D. Parikh; Edgar A. Zarins

(57) **CLAIM**

The ornamental design for a shower control, as shown and described.

DESCRIPTION

FIG. 1 is a front perspective view of a shower control showing our design;

FIG. 2 is a front elevational view thereof;

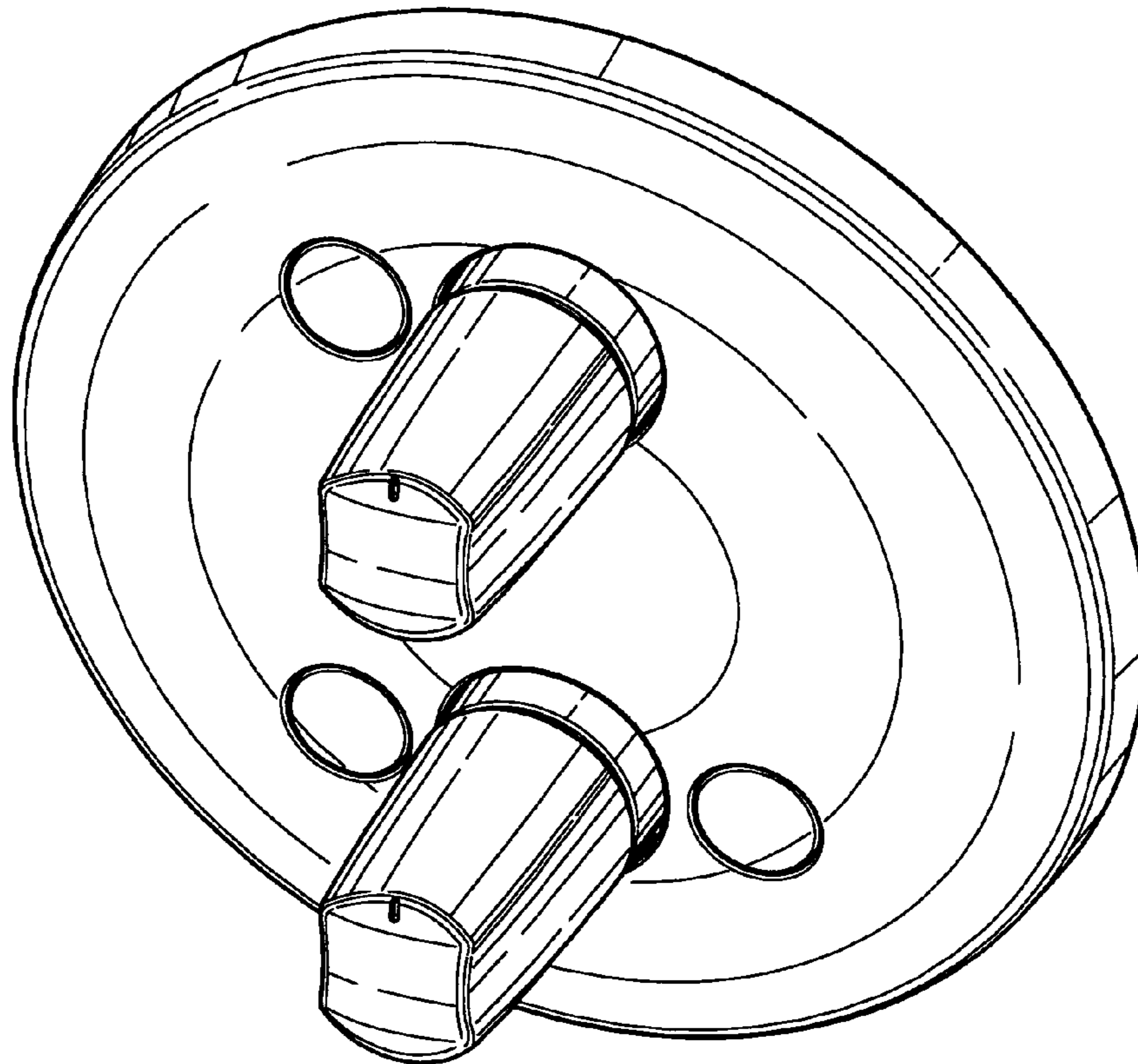
FIG. 3 is a left side elevational view thereof;

FIG. 4 is a right side elevational view thereof;

FIG. 5 is a top plan view thereof; and,

FIG. 6 is a bottom plan view thereof.

1 Claim, 6 Drawing Sheets



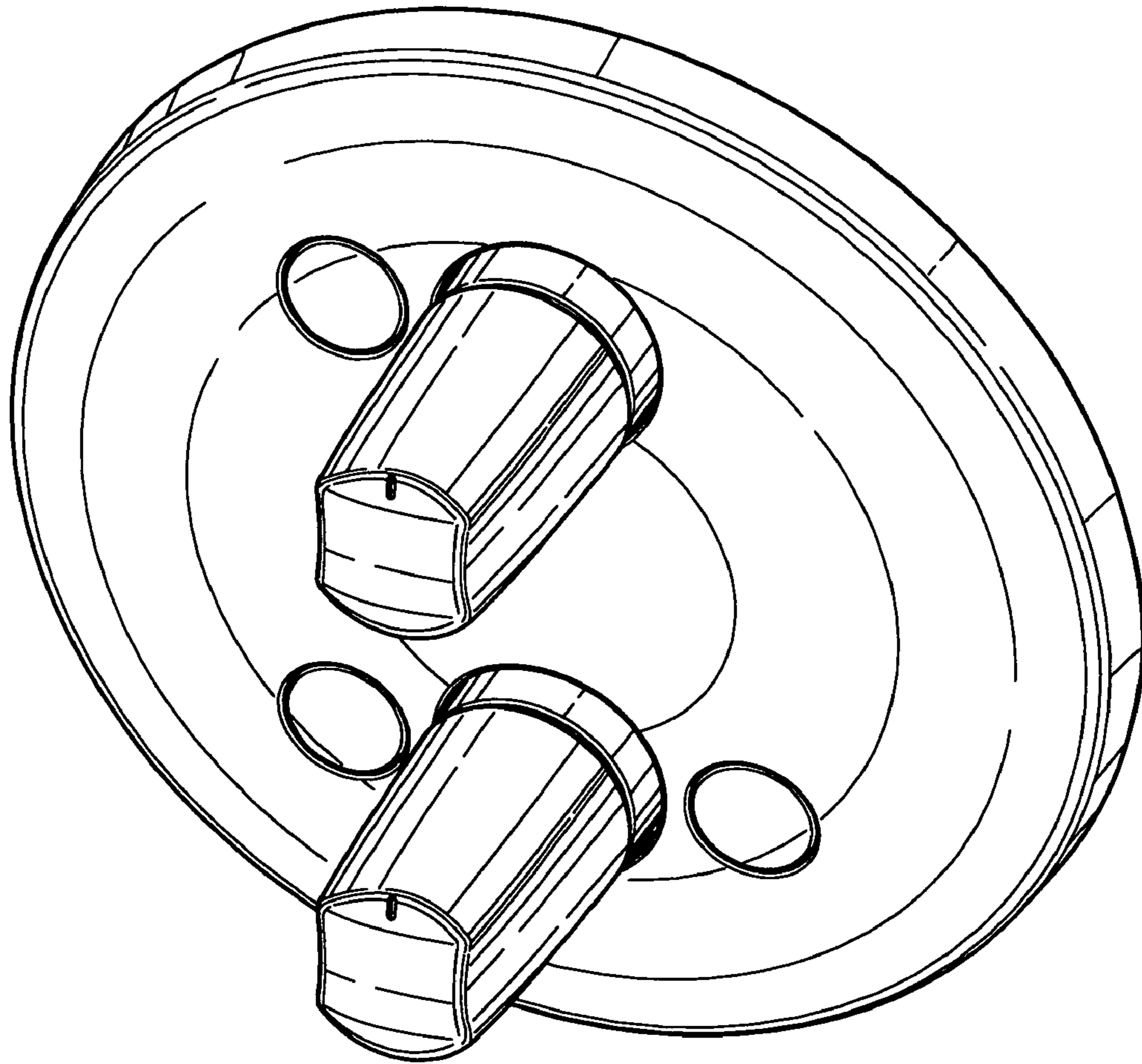


FIG. 1

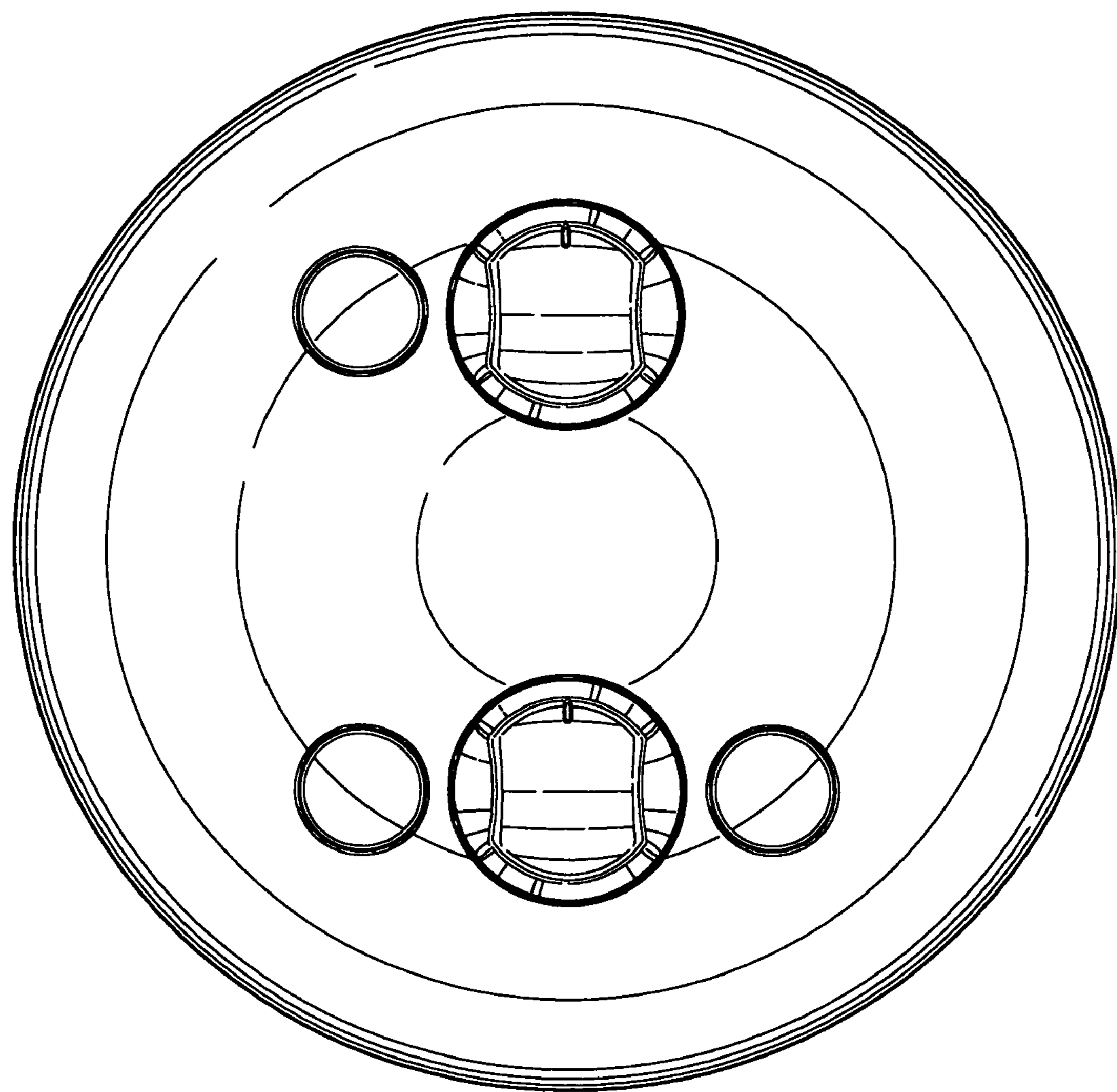


FIG. 2

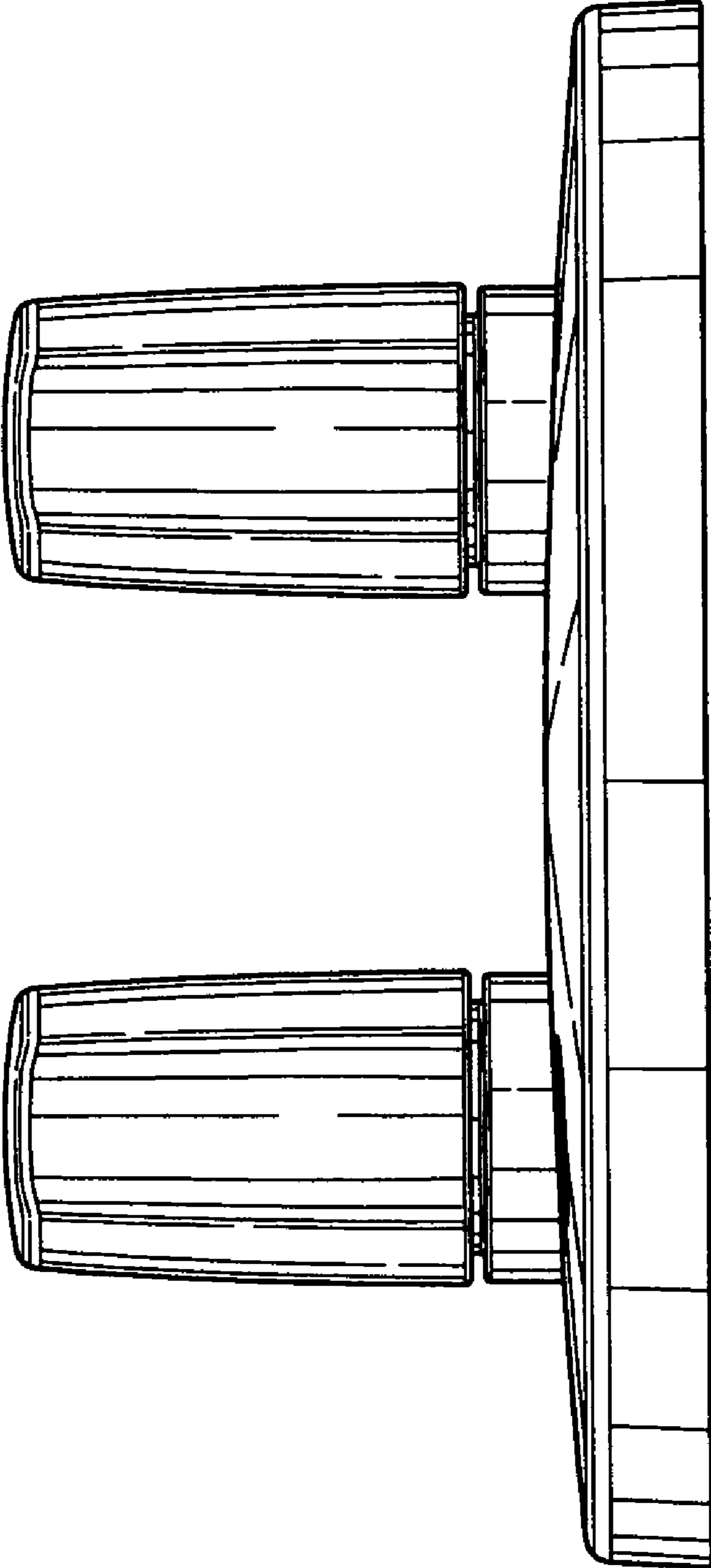


FIG. 3

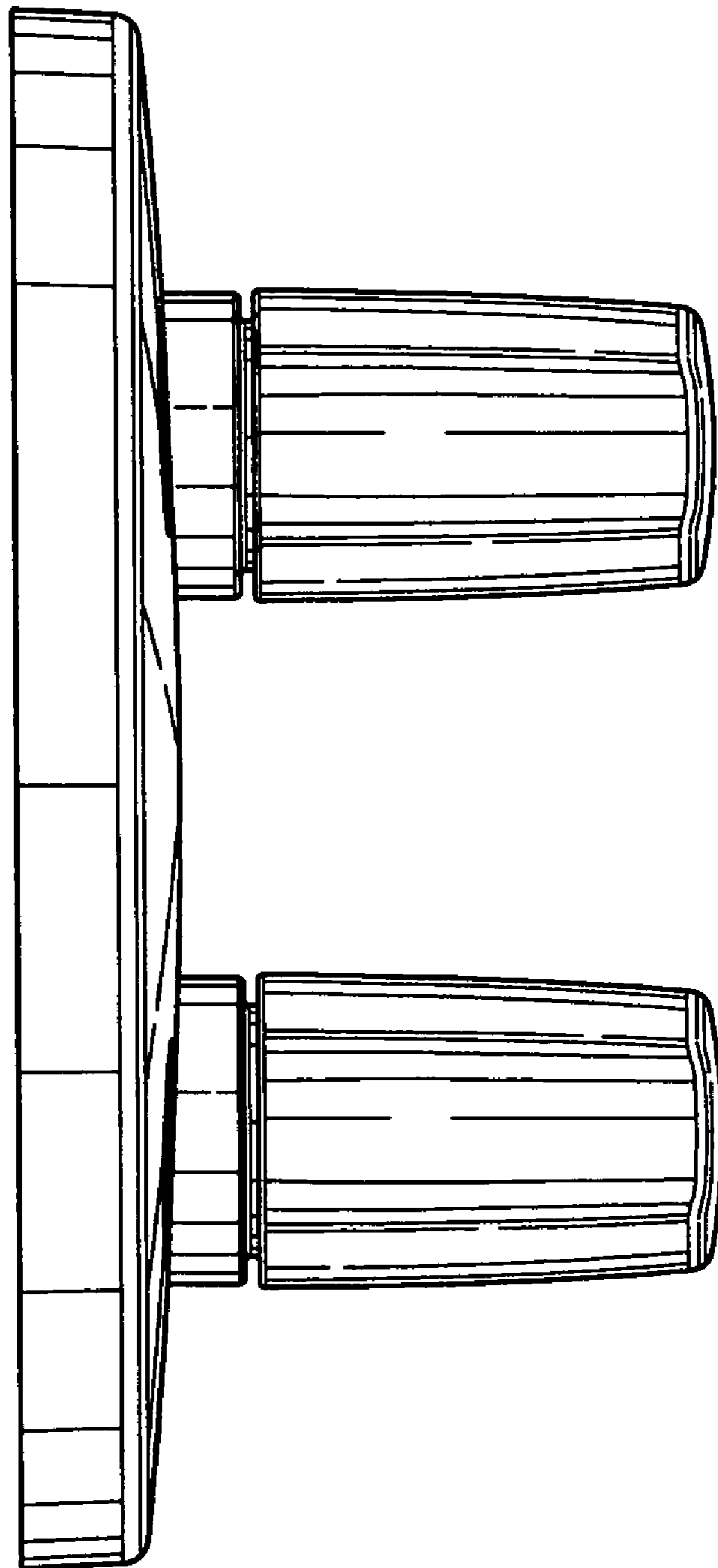


FIG. 4

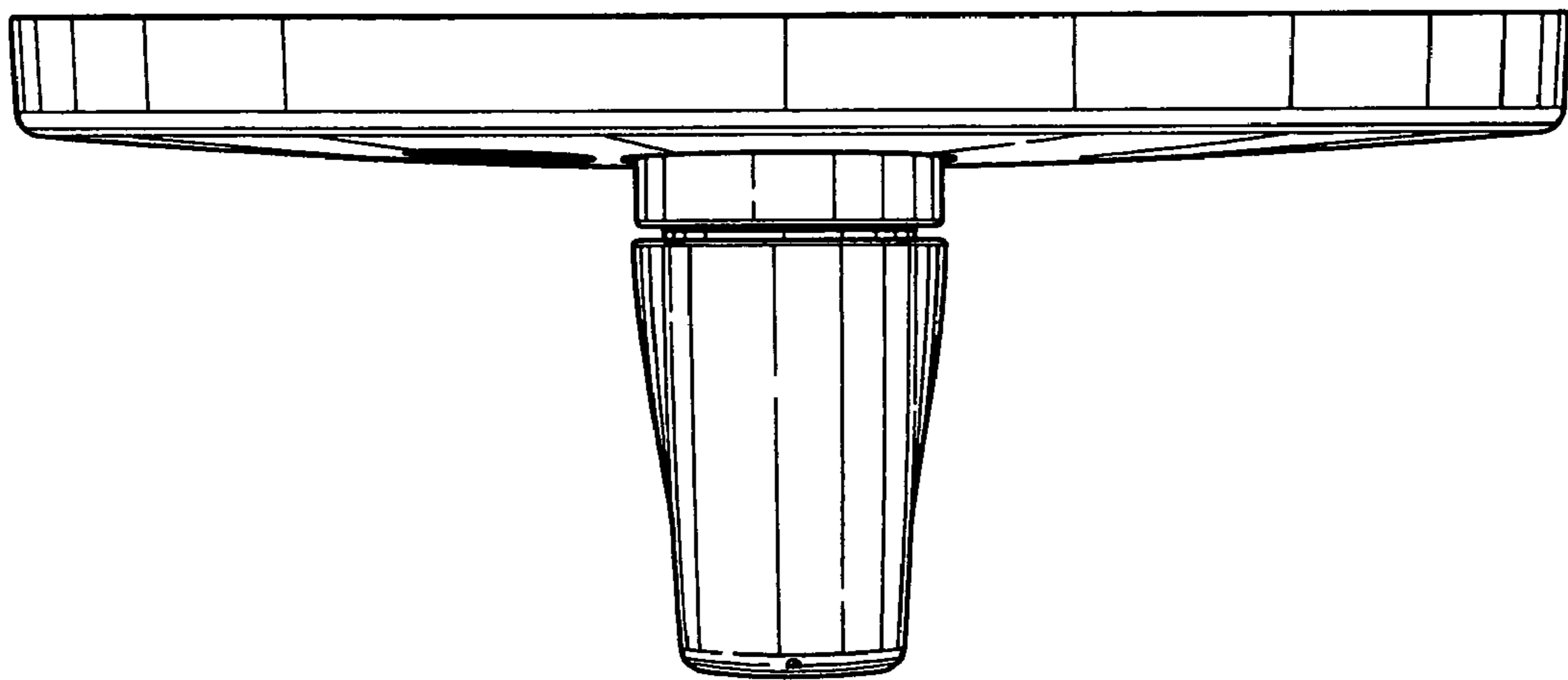


FIG. 5

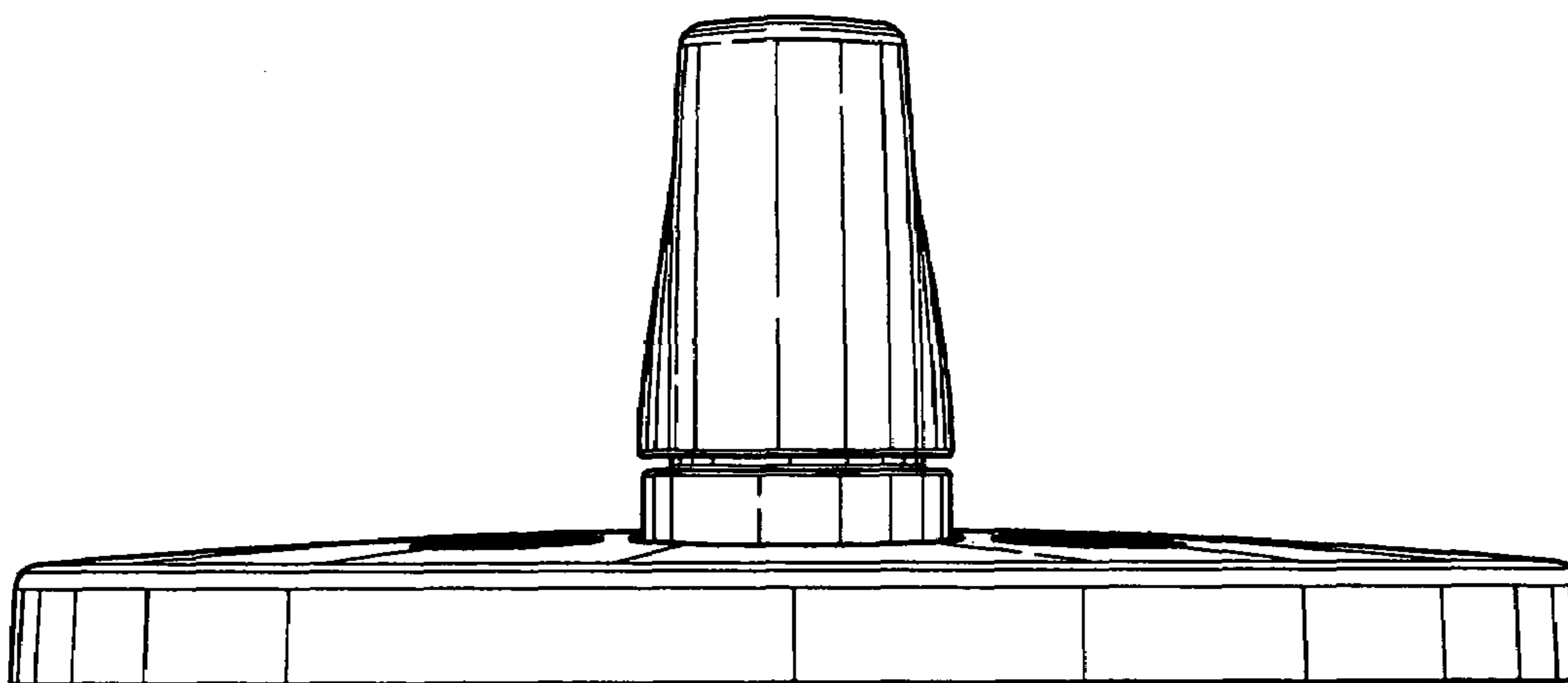


FIG. 6