



US00D597175S

(12) **United States Design Patent**  
**Kulig**

(10) **Patent No.:** **US D597,175 S**  
(45) **Date of Patent:** **\*\* Jul. 28, 2009**

(54) **FAUCET**

(75) Inventor: **Zbigniew Kulig**, Wadworth, IL (US)

(73) Assignee: **Graff Faucets**, Milwaukee, WI (US)

(\*\*) Term: **14 Years**

(21) Appl. No.: **29/326,195**

(22) Filed: **Oct. 14, 2008**

(51) **LOC (9) Cl.** ..... **23-01**

(52) **U.S. Cl.** ..... **D23/238**

(58) **Field of Classification Search** ..... D23/200,  
D23/238-257; D6/512, 546, 550; D8/300,  
D8/307-308, 310-312, 321; 4/675-678;  
137/801; 16/110.1, 441

See application file for complete search history.

(56) **References Cited**

**U.S. PATENT DOCUMENTS**

D420,430 S *	2/2000	Lobermeier .....	D23/238
D441,429 S *	5/2001	Mullenmeister .....	D23/238
D466,977 S *	12/2002	Cummings .....	D23/238
D478,370 S *	8/2003	Ouyoung .....	D23/238
D489,795 S	5/2004	Kulig et al.	
D510,978 S	10/2005	Kulig	
D510,979 S	10/2005	Kulig	
D513,309 S	12/2005	Kulig	
D517,647 S *	3/2006	Kulig .....	D23/238
D517,648 S	3/2006	Kulig et al.	
D524,417 S	7/2006	Kulig	
D529,991 S *	10/2006	Egli et al. ....	D23/238
D531,699 S *	11/2006	Haug et al. ....	D23/238
D532,084 S *	11/2006	Toyohara .....	D23/238
D541,381 S *	4/2007	Haug et al. ....	D23/238
D555,770 S *	11/2007	Belisle et al. ....	D23/238

D555,771 S *	11/2007	Noth et al. ....	D23/238
D577,104 S *	9/2008	Latorraca .....	D23/238
D577,418 S *	9/2008	Lammel et al. ....	D23/238

**OTHER PUBLICATIONS**

Kulig, U.S. Appl. No. 29/302,680, filed Jan. 22, 2008, entitled "Faucet".

Blanco America, *Decorative Bar Faucets*, [http://www.blancoamerica.com/bar\\_faucets.html](http://www.blancoamerica.com/bar_faucets.html) (pp. 1-2) (May 12, 2004).

Blanco America, *Kitchen Faucets*, [http://www.blancoamerica.com/kitchen\\_faucets.html](http://www.blancoamerica.com/kitchen_faucets.html) (pp. 1-6) (May 12, 2004).

\* cited by examiner

*Primary Examiner*—T. Chase Nelson

*Assistant Examiner*—Mark Cavanna

(74) *Attorney, Agent, or Firm*—Boyle Fredrickson S.C.

(57) **CLAIM**

The ornamental design for a faucet, as shown and described.

**DESCRIPTION**

FIG. 1 is perspective view of a faucet incorporating my new design, viewed from in front of, above, and from the left side of the faucet;

FIG. 2 is a front elevation view thereof;

FIG. 3 is a rear elevation view thereof;

FIG. 4 is a top plan view thereof;

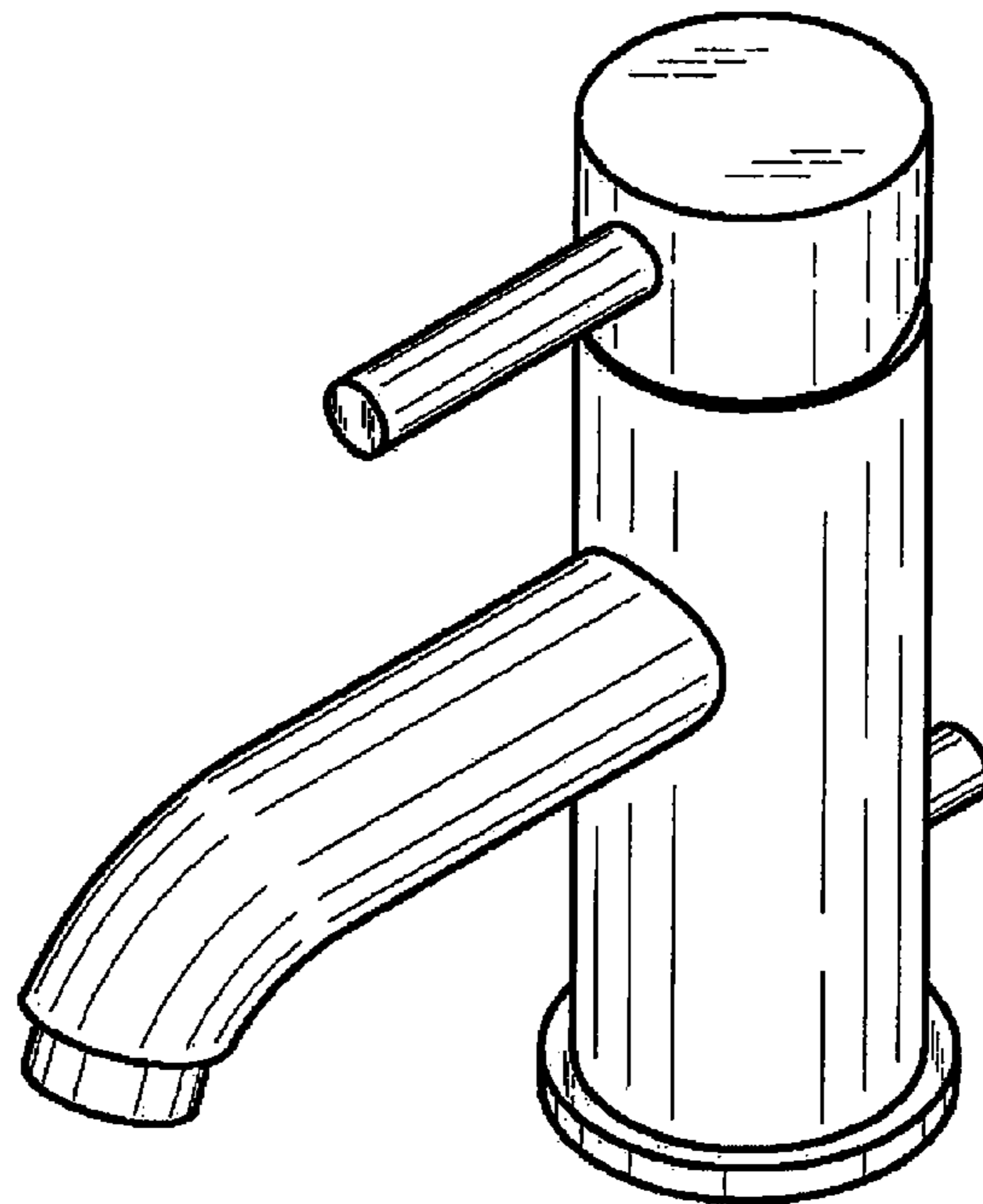
FIG. 5 is a bottom plan view thereof;

FIG. 6 is a left-side elevation view thereof; and,

FIG. 7 is a right-side elevation view thereof.

The broken lines in FIGS. 2, 3, and 5 are for illustrative purposes only and form no part of the claimed design.

**1 Claim, 7 Drawing Sheets**



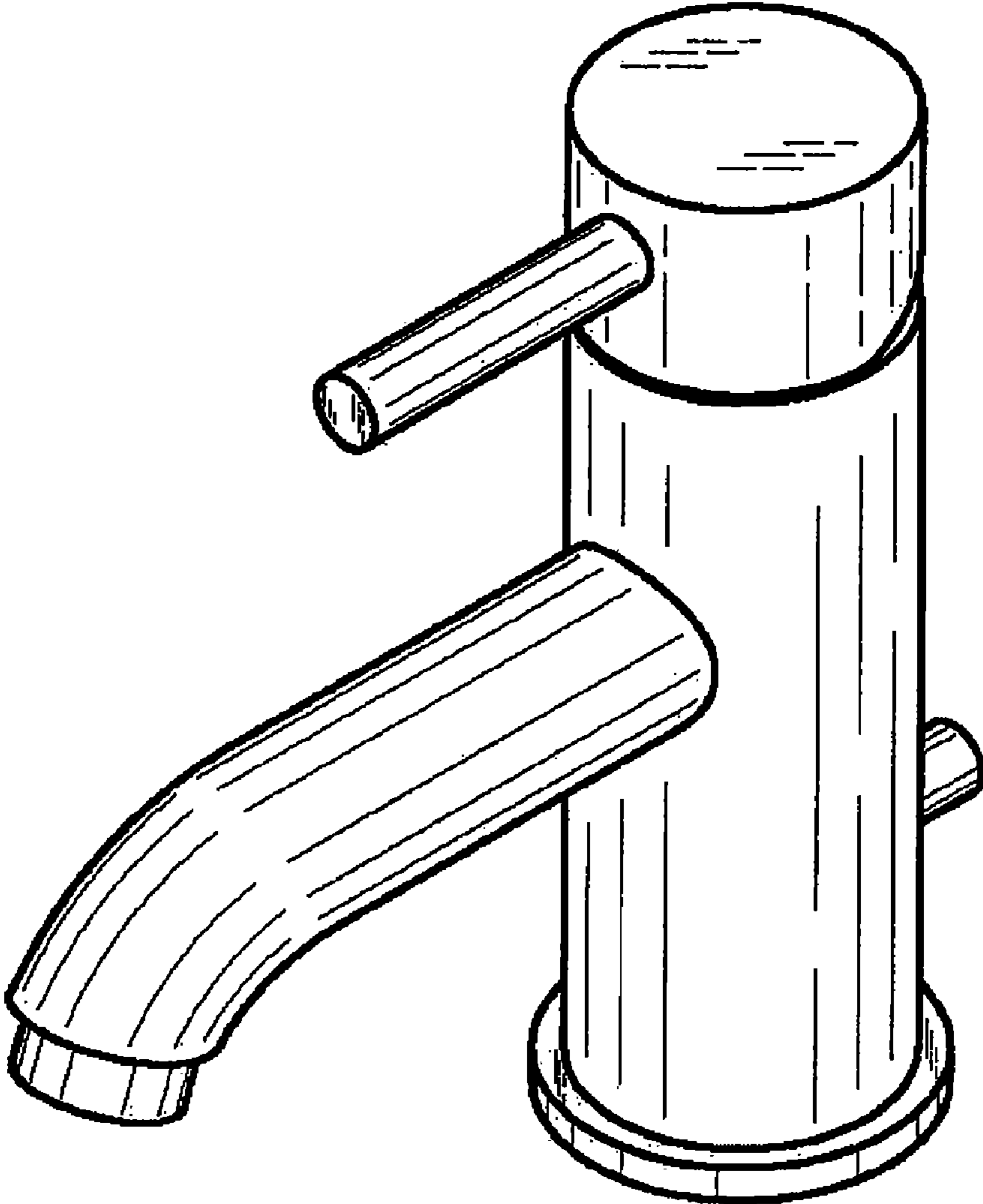


FIG. 1

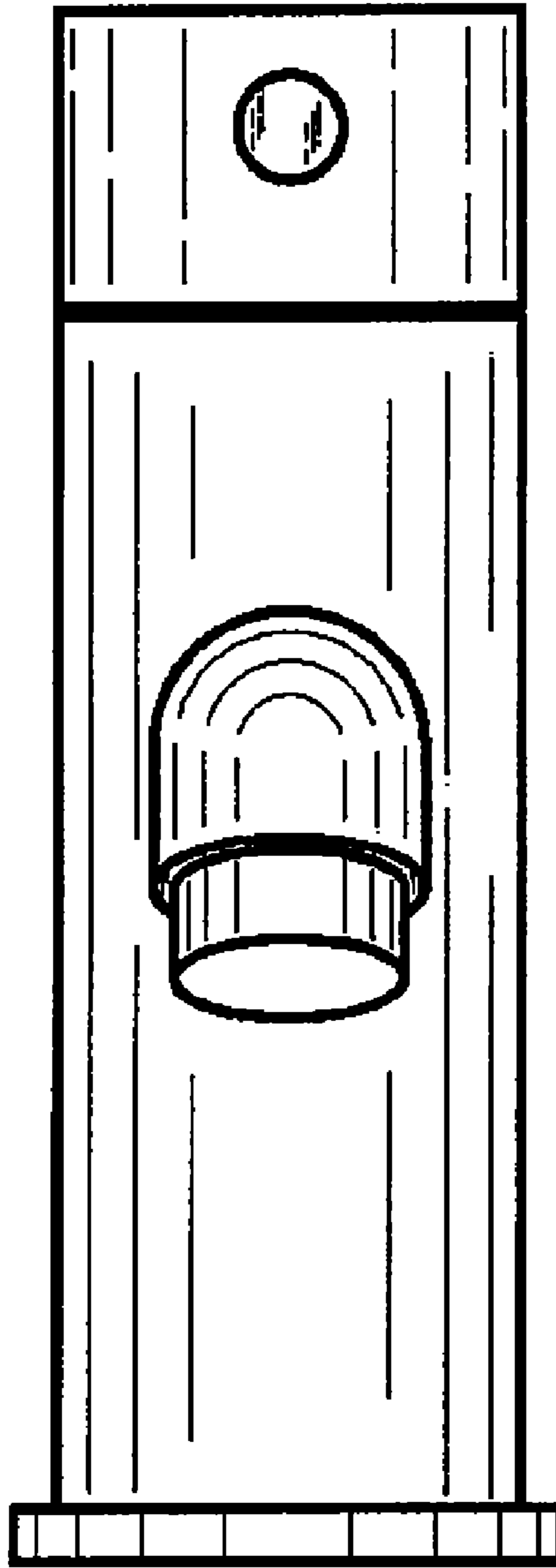


FIG. 2

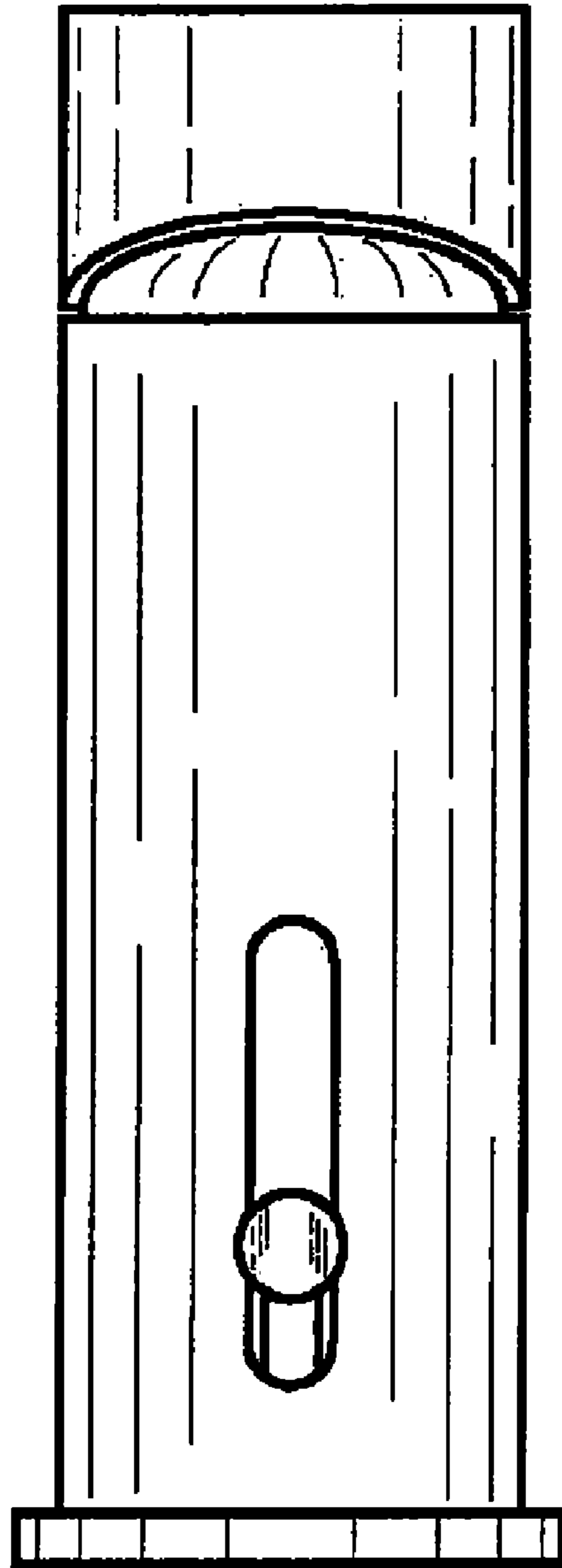


FIG. 3

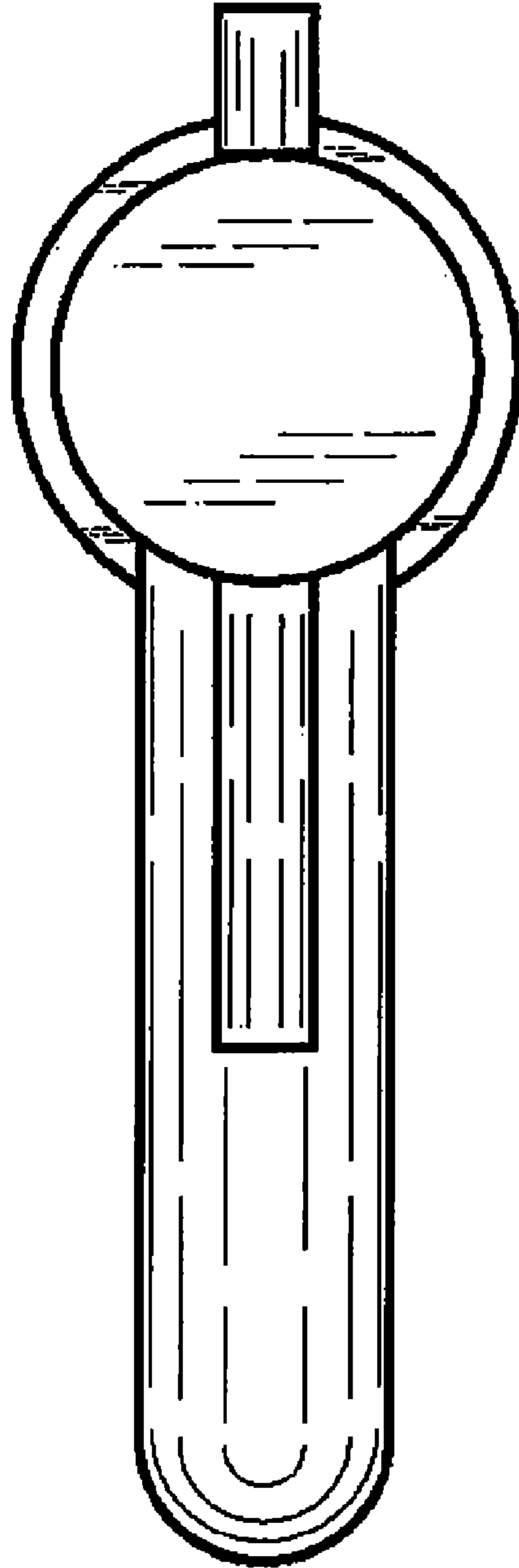


FIG. 4

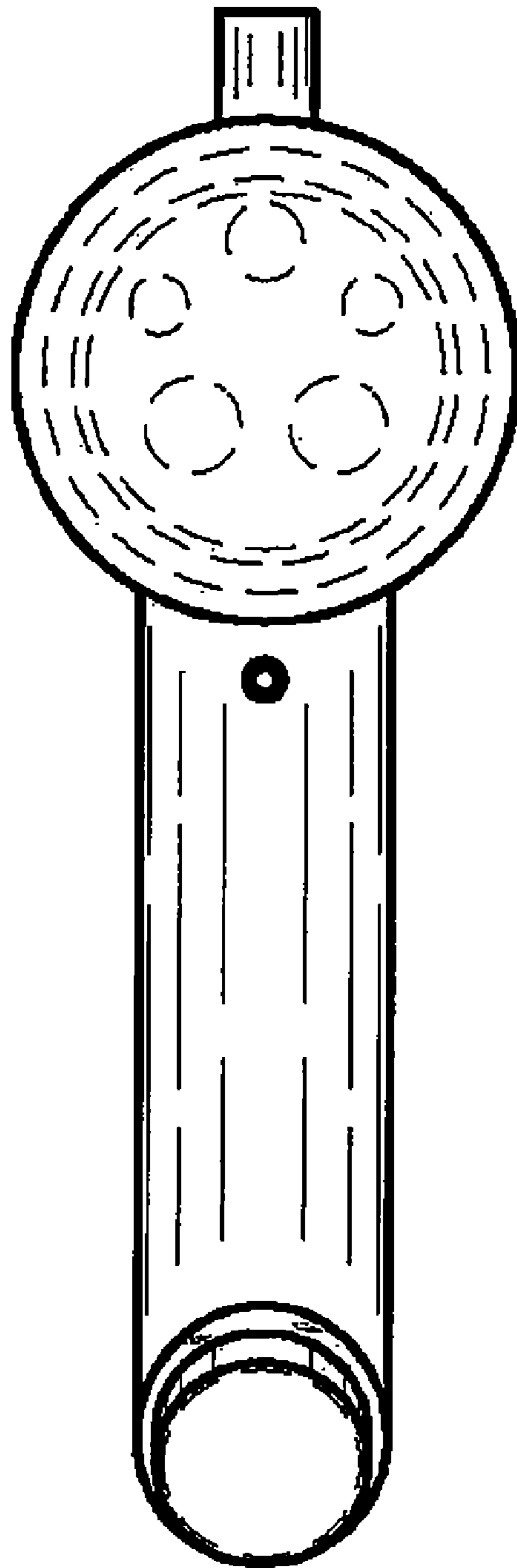


FIG. 5

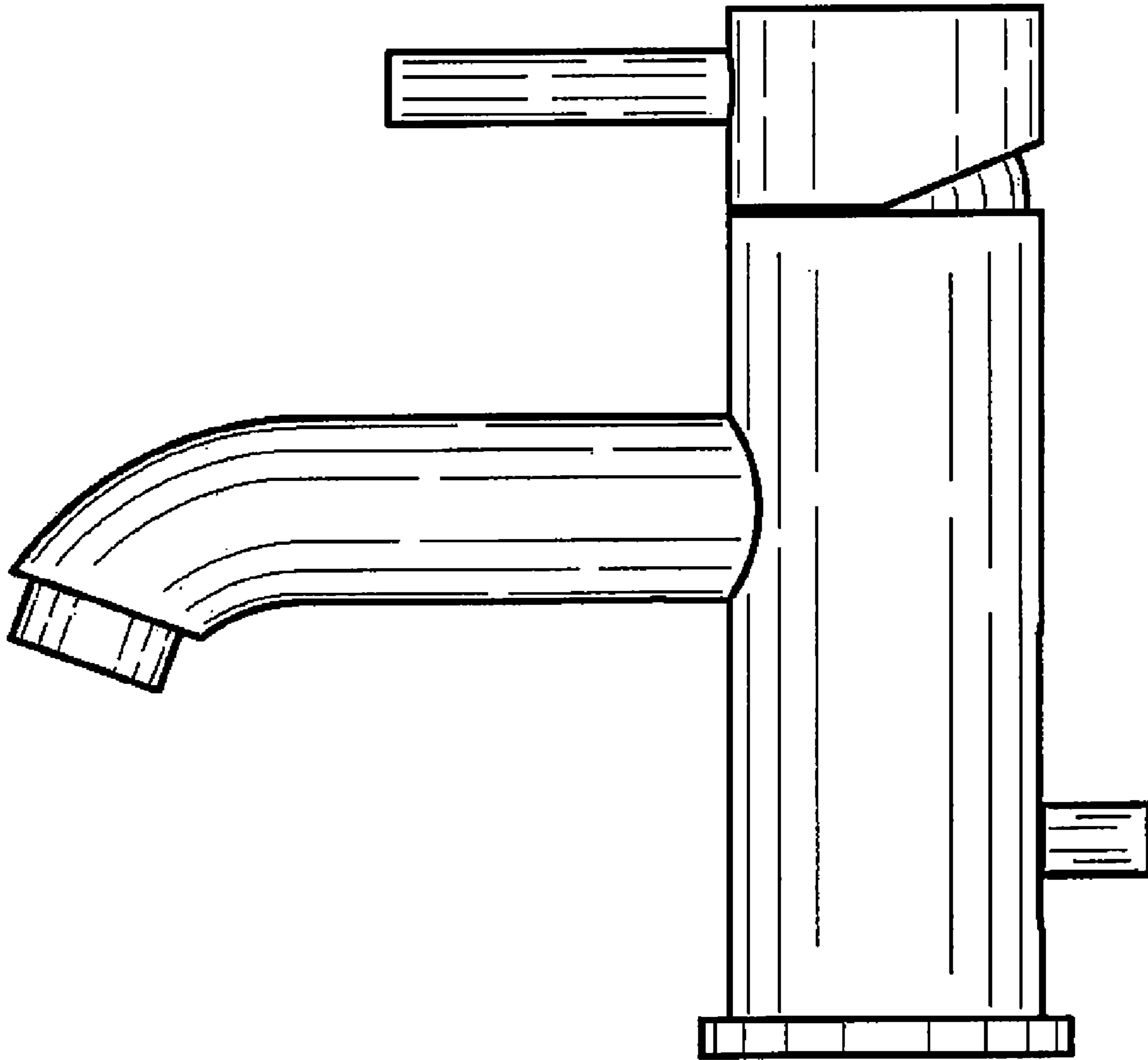


FIG. 6

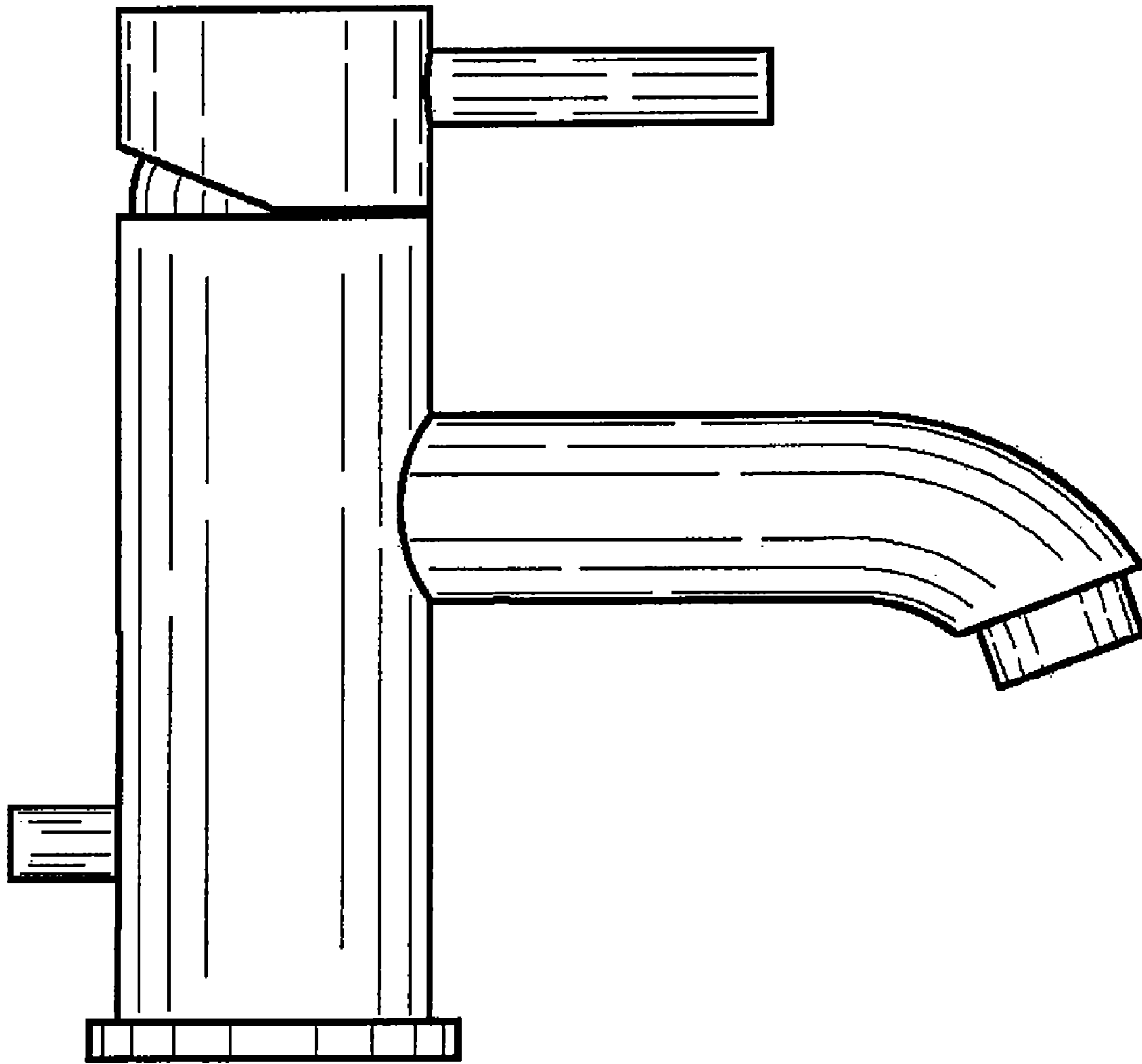


FIG. 7