



US00D597174S

(12) **United States Design Patent**
Miyazoe

(10) **Patent No.:** **US D597,174 S**

(45) **Date of Patent:** **** Jul. 28, 2009**

(54) **ELECTROMAGNETIC VALVE**

(75) Inventor: **Shinji Miyazoe**, Tsukubamirai (JP)

(73) Assignee: **SMC Corporation**, Chiyoda-ku, Tokyo (JP)

(**) Term: **14 Years**

(21) Appl. No.: **29/310,752**

(22) Filed: **Sep. 9, 2008**

(30) **Foreign Application Priority Data**

Mar. 24, 2008 (JP) 2008-007177

(51) **LOC (9) Cl.** **23-01**

(52) **U.S. Cl.** **D23/233**

(58) **Field of Classification Search** D23/233-237,
D23/244-249; D15/5, 7, 199; 137/554,
137/557, 560, 861, 882, 884, 269, 270, 271,
137/343, 625.64; 251/596.13, 596.16, 331,
251/219, 15, 130, 129.04

See application file for complete search history.

(56) **References Cited**

U.S. PATENT DOCUMENTS

D414,545 S *	9/1999	Hayashi et al.	D23/233
D424,166 S *	5/2000	Hayashi et al.	D23/233
D428,111 S *	7/2000	Hayashi et al.	D23/233
D479,308 S *	9/2003	Hayashi et al.	D23/233
D479,738 S *	9/2003	Hayashi et al.	D23/233
D532,865 S *	11/2006	Miyazoe et al.	D23/233

D533,628 S *	12/2006	Miyazoe et al.	D23/233
D545,945 S *	7/2007	Miyazoe	D23/233
D563,507 S *	3/2008	Kato et al.	D23/233
D563,514 S *	3/2008	Mita et al.	D23/233
D563,516 S *	3/2008	Mita et al.	D23/233
D564,631 S *	3/2008	Miyazoe et al.	D23/233

* cited by examiner

Primary Examiner—Joel A. Sincavage

Assistant Examiner—Maurice Stevens

(74) *Attorney, Agent, or Firm*—Yokoi & Co., U.S.A., Inc.; Peter Ganjian

(57) **CLAIM**

The ornamental design for an electromagnetic valve, as shown and described.

DESCRIPTION

FIG. 1 shows a front view of an electromagnetic valve showing my new design;

FIG. 2 shows a rear view thereof;

FIG. 3 shows a right side view thereof;

FIG. 4 shows a left side view thereof;

FIG. 5 shows a top view thereof;

FIG. 6 shows a bottom view thereof;

FIG. 7 shows a top, front and left side perspective view thereof; and,

FIG. 8 shows a bottom, rear and right side perspective view thereof.

1 Claim, 8 Drawing Sheets

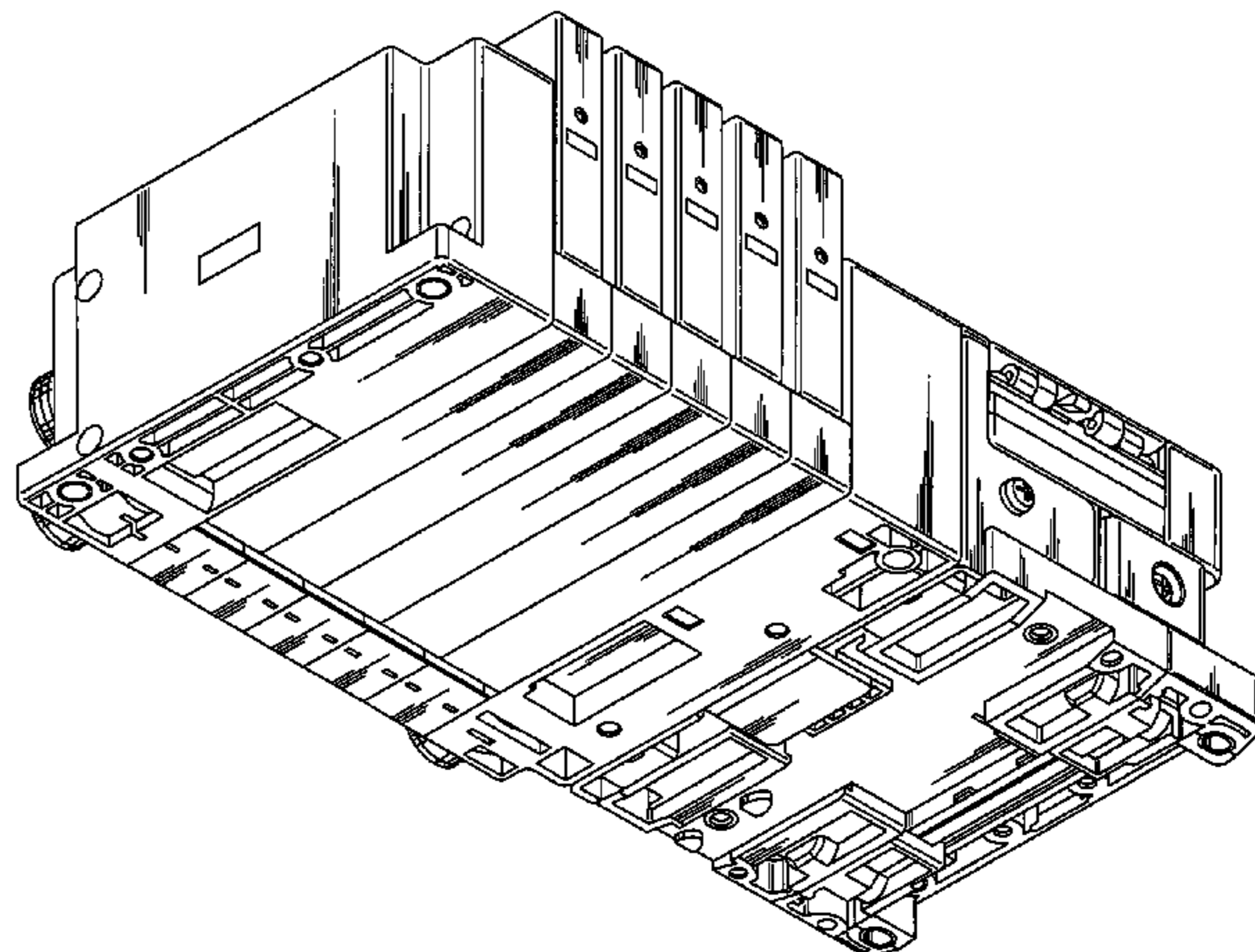
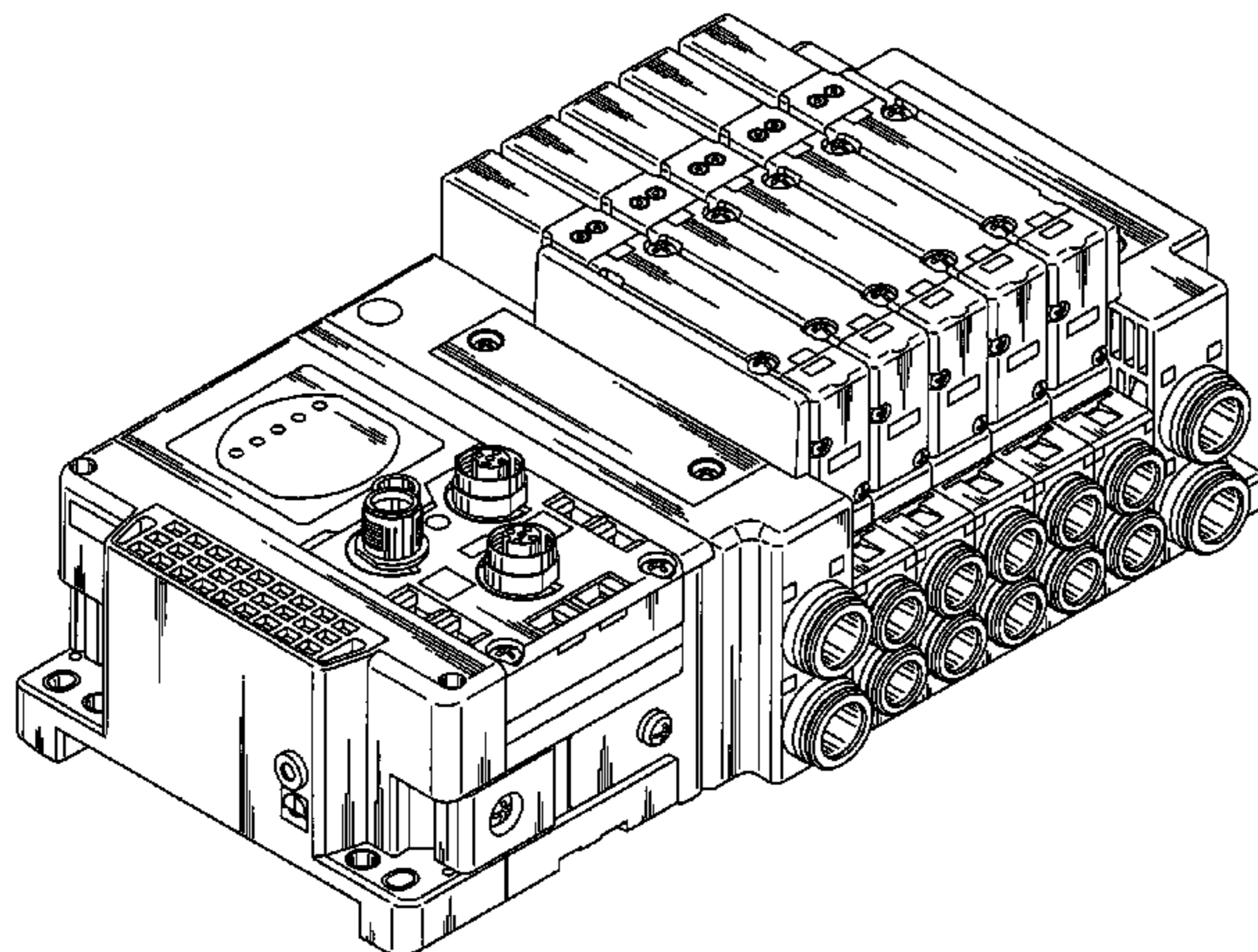


FIG. 1

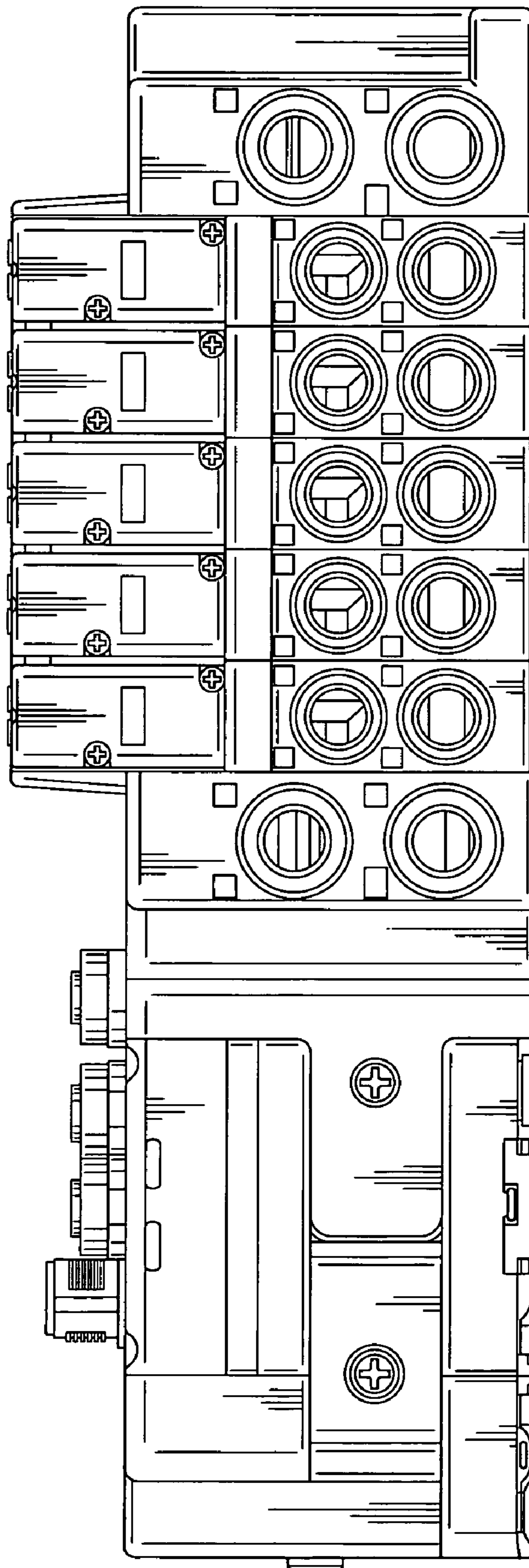


FIG. 2

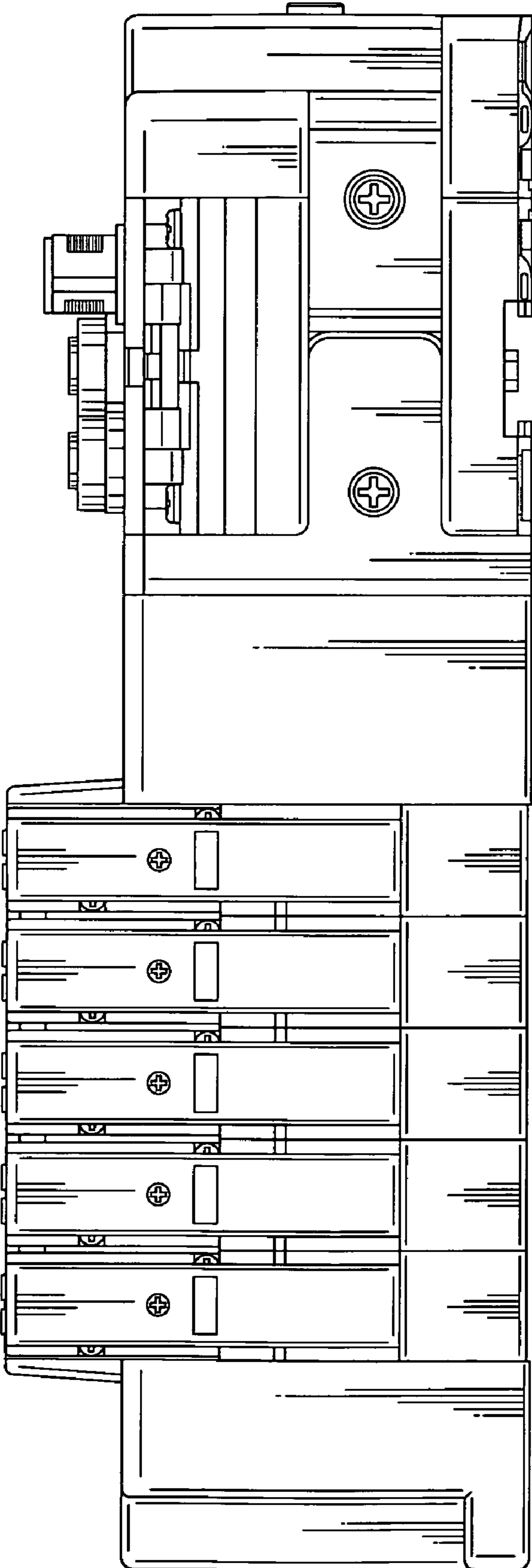


FIG. 3

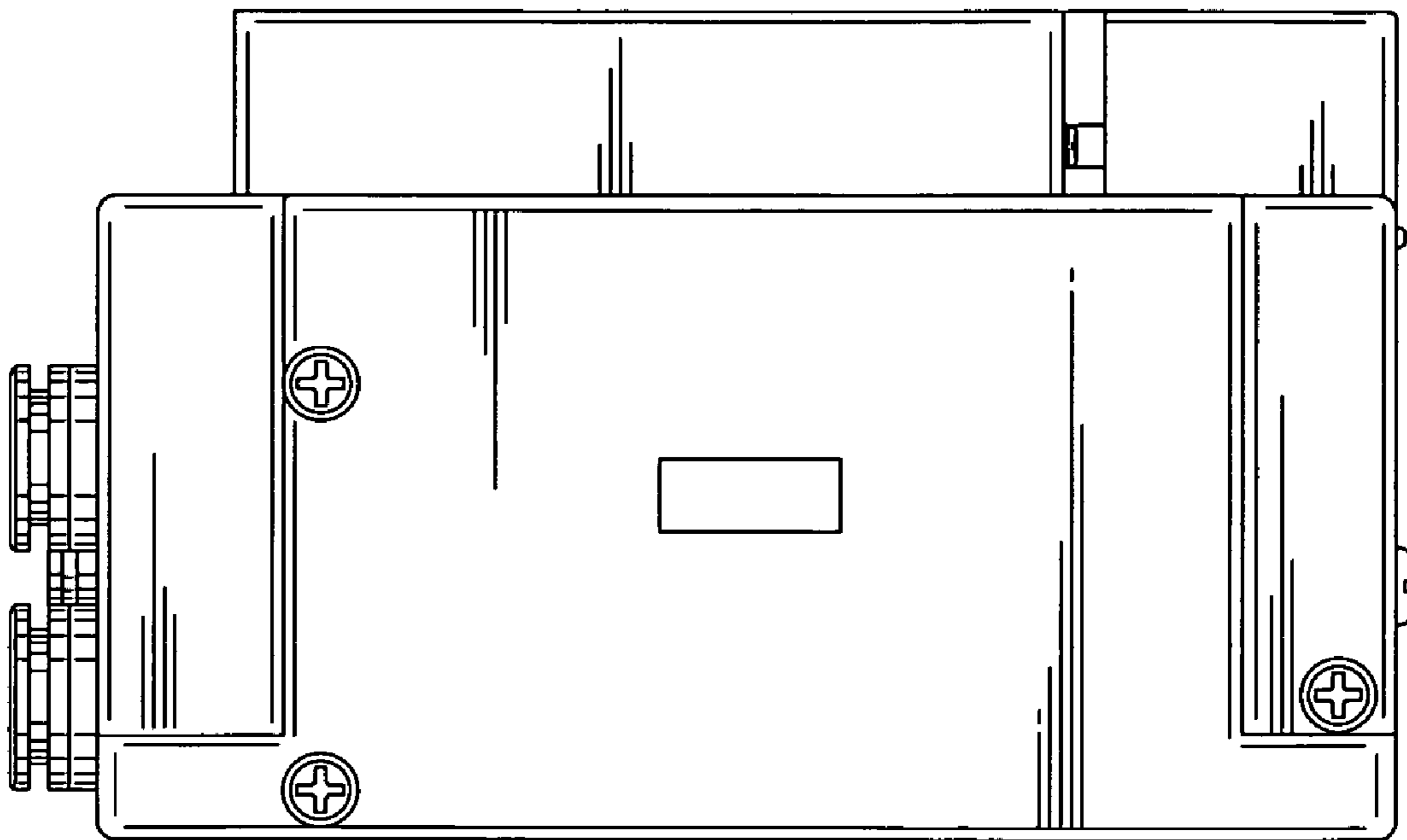


FIG. 4

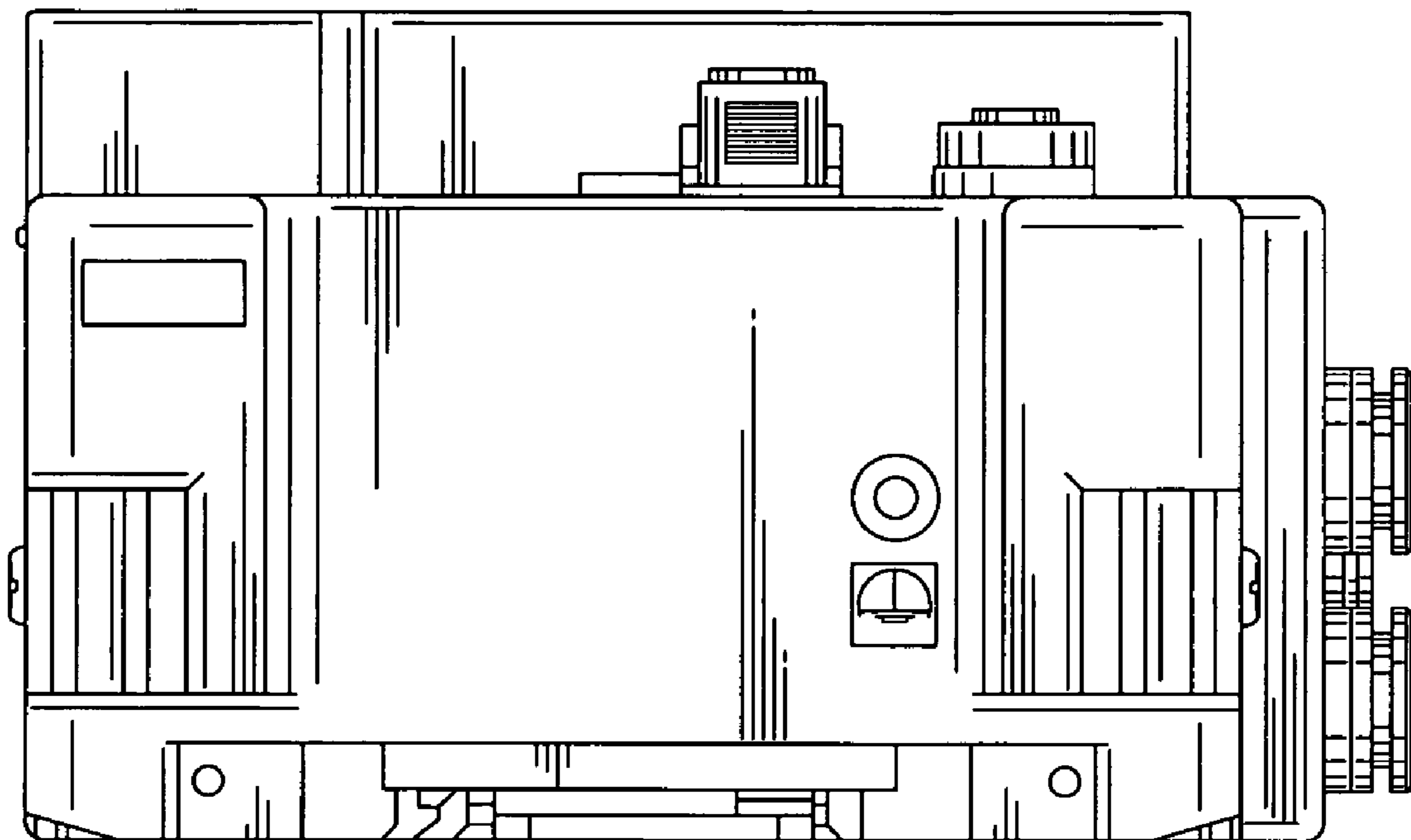


FIG. 5

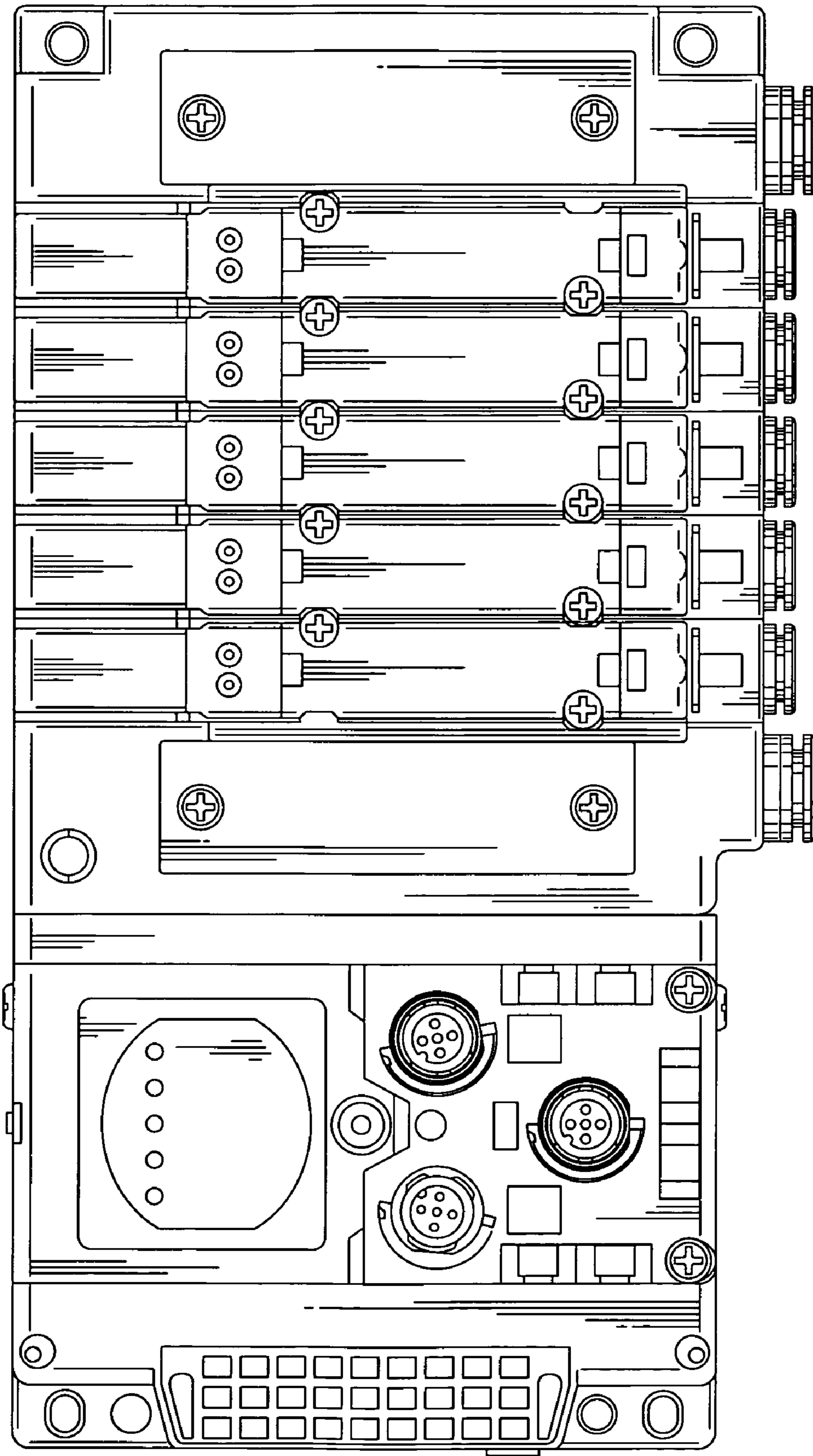


FIG. 6

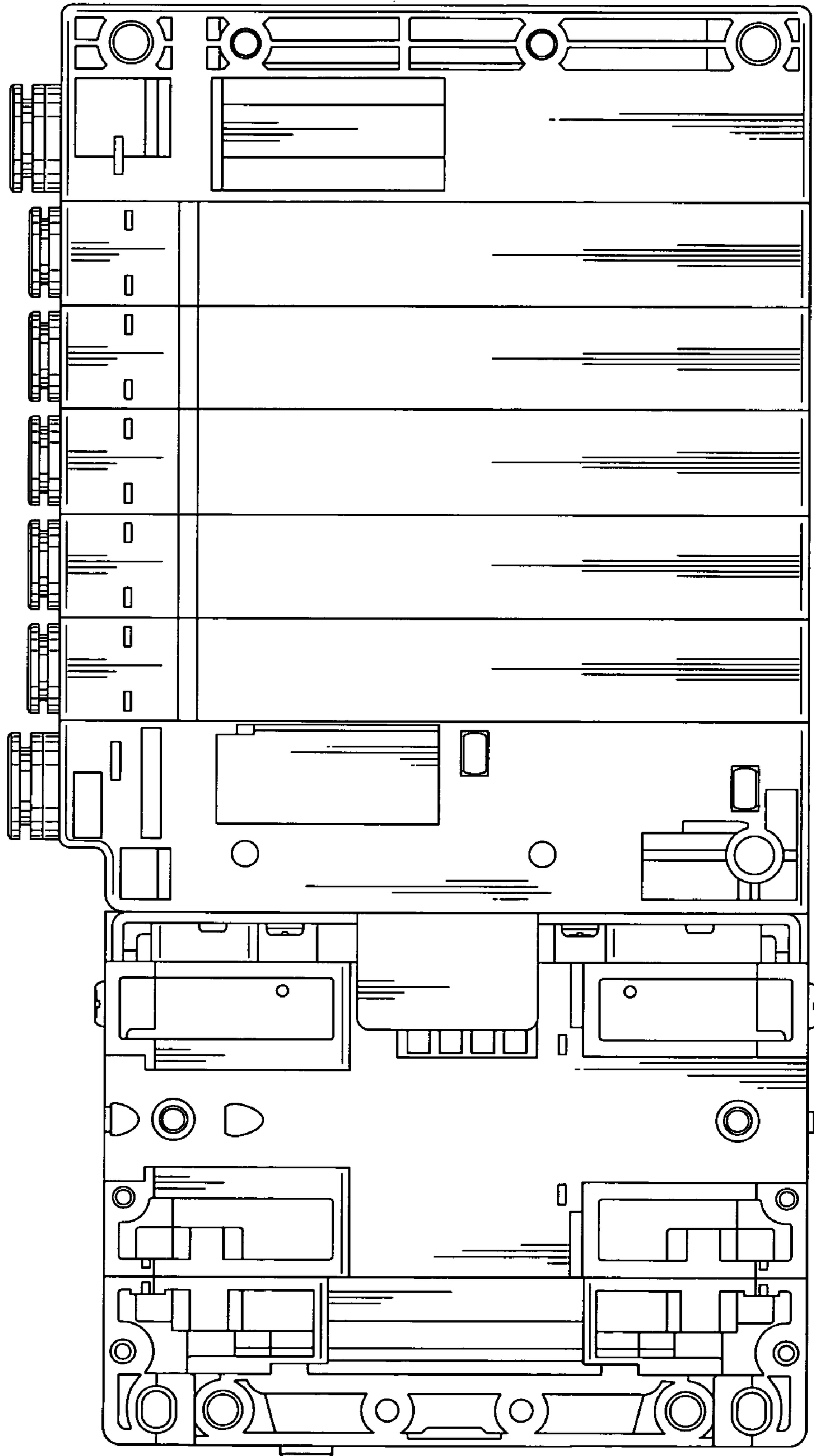


FIG. 7

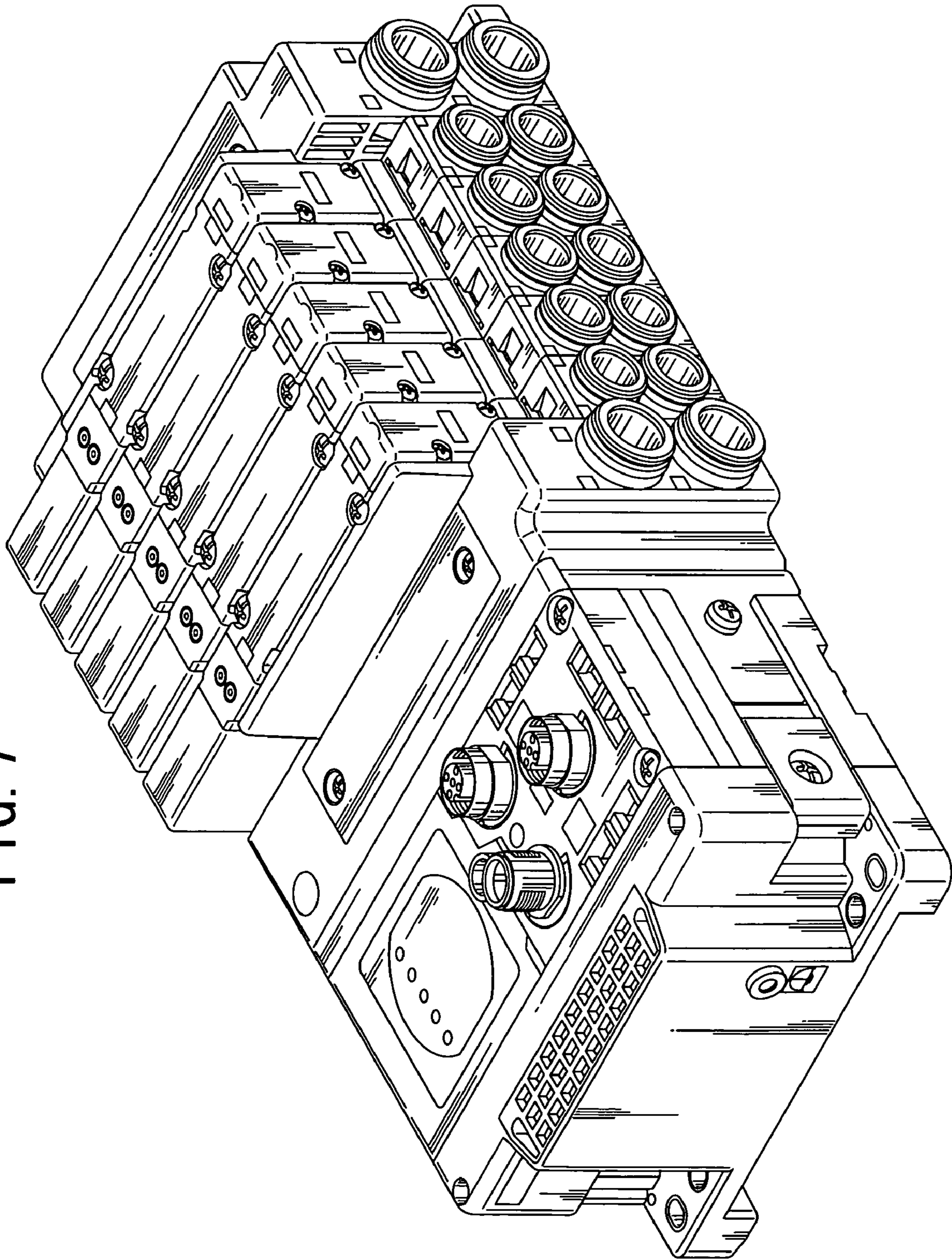


FIG. 8

