

US00D597173S

(12) **United States Design Patent**  
**Mulgrew et al.**

(10) **Patent No.:** **US D597,173 S**

(45) **Date of Patent:** **\*\* Jul. 28, 2009**

(54) **AIRLESS PAINT SPRAYER**

(75) Inventors: **Brian M. Mulgrew**, St. Francis, MN (US); **Andrew J. Kopel**, Stanchfield, MN (US); **Jason P. Iverson**, Monticello, MN (US); **Bradley H. Hines**, Andover, MN (US)

(73) Assignee: **Graco Minnesota Inc.**, Minneapolis, MN (US)

(\*\*) Term: **14 Years**

(21) Appl. No.: **29/330,178**

(22) Filed: **Dec. 30, 2008**

(51) **LOC (9) Cl.** ..... **23-01**

(52) **U.S. Cl.** ..... **D23/225**

(58) **Field of Classification Search** ..... D23/213,  
D23/225; 239/332, 333, 302, 308, 146, 147,  
239/150; 401/48

See application file for complete search history.

(56) **References Cited**

U.S. PATENT DOCUMENTS

D306,477 S \* 3/1990 Weiss ..... D23/225

D526,045 S \* 8/2006 Gundersen et al. .... D23/225  
D580,515 S \* 11/2008 Wrobel et al. .... D23/225  
D580,516 S \* 11/2008 Mattson et al. .... D23/225  
D580,517 S \* 11/2008 Mattson et al. .... D23/225  
7,497,389 B2 \* 3/2009 Rioux ..... 239/332

\* cited by examiner

*Primary Examiner*—Robin V Webster

(74) *Attorney, Agent, or Firm*—Douglas B. Farrow

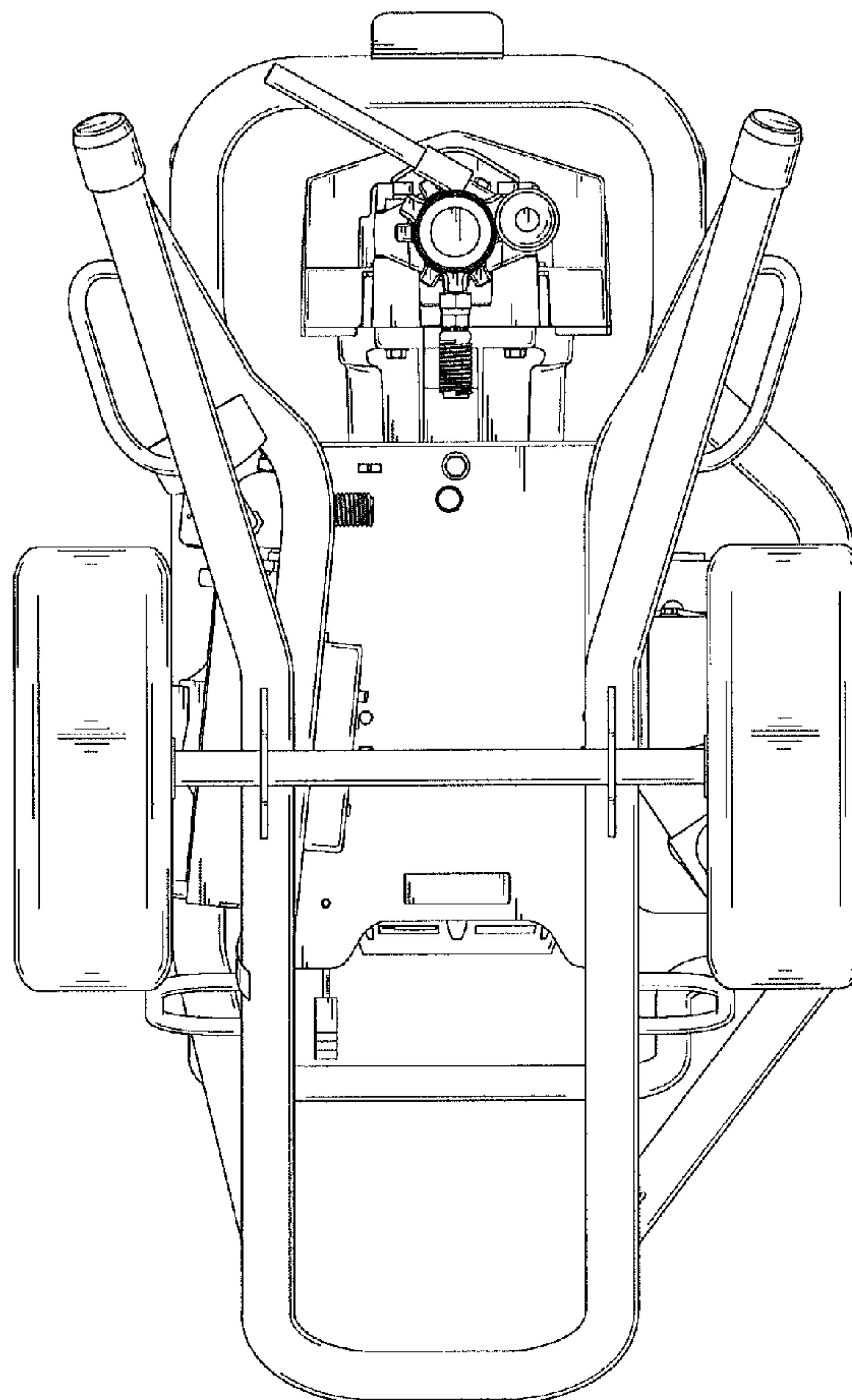
(57) **CLAIM**

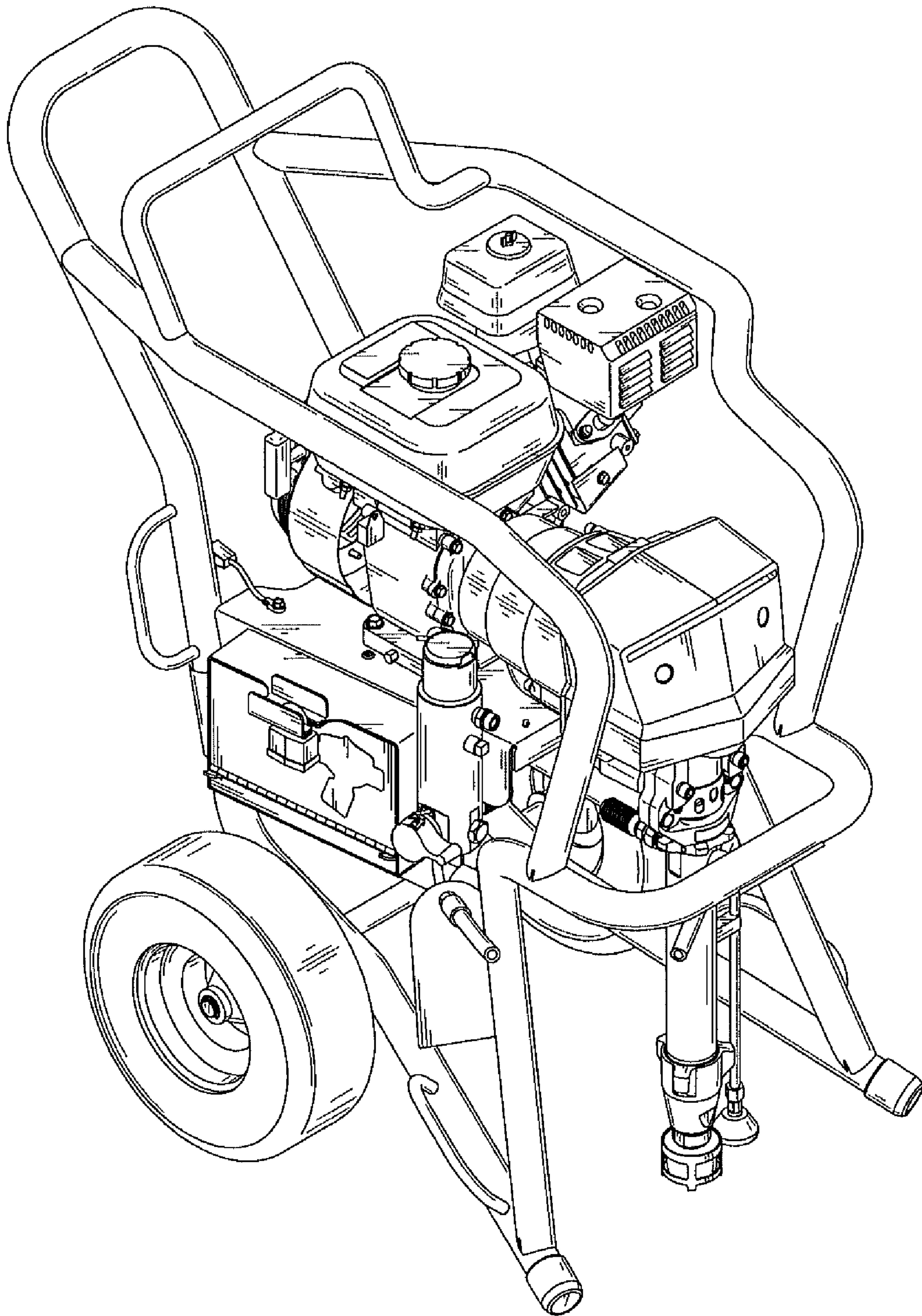
The ornamental design for the airless paint sprayer, as shown and described.

**DESCRIPTION**

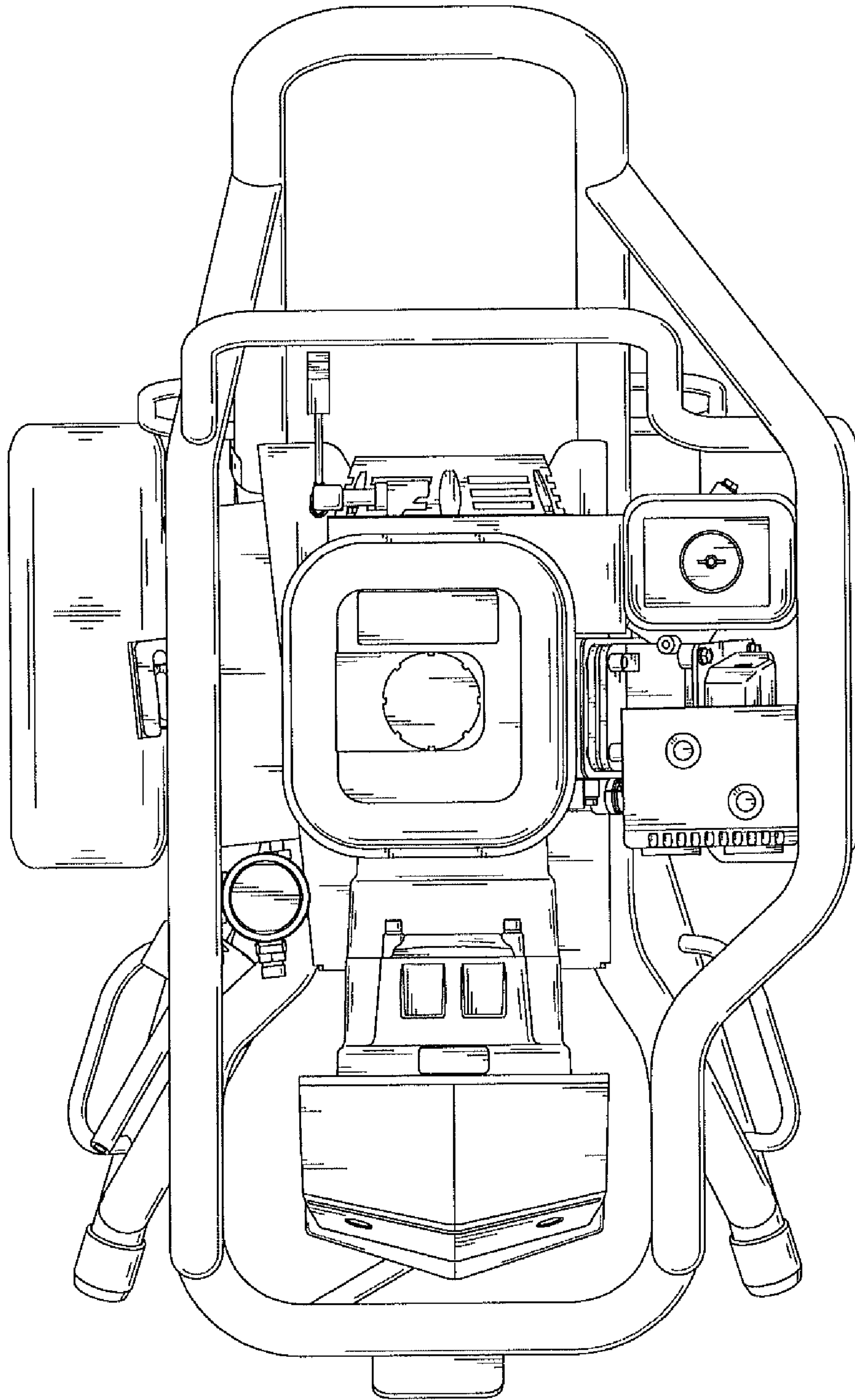
FIG. 1 is a front perspective view of the airless paint sprayer; FIG. 2 is a top elevation view thereof; FIG. 3 is a front elevation view thereof; FIG. 4 is a right side elevation view thereof; FIG. 5 is a left side elevation view thereof; FIG. 6 is a rear elevation view thereof; and, FIG. 7 is a bottom elevation view thereof.

**1 Claim, 7 Drawing Sheets**



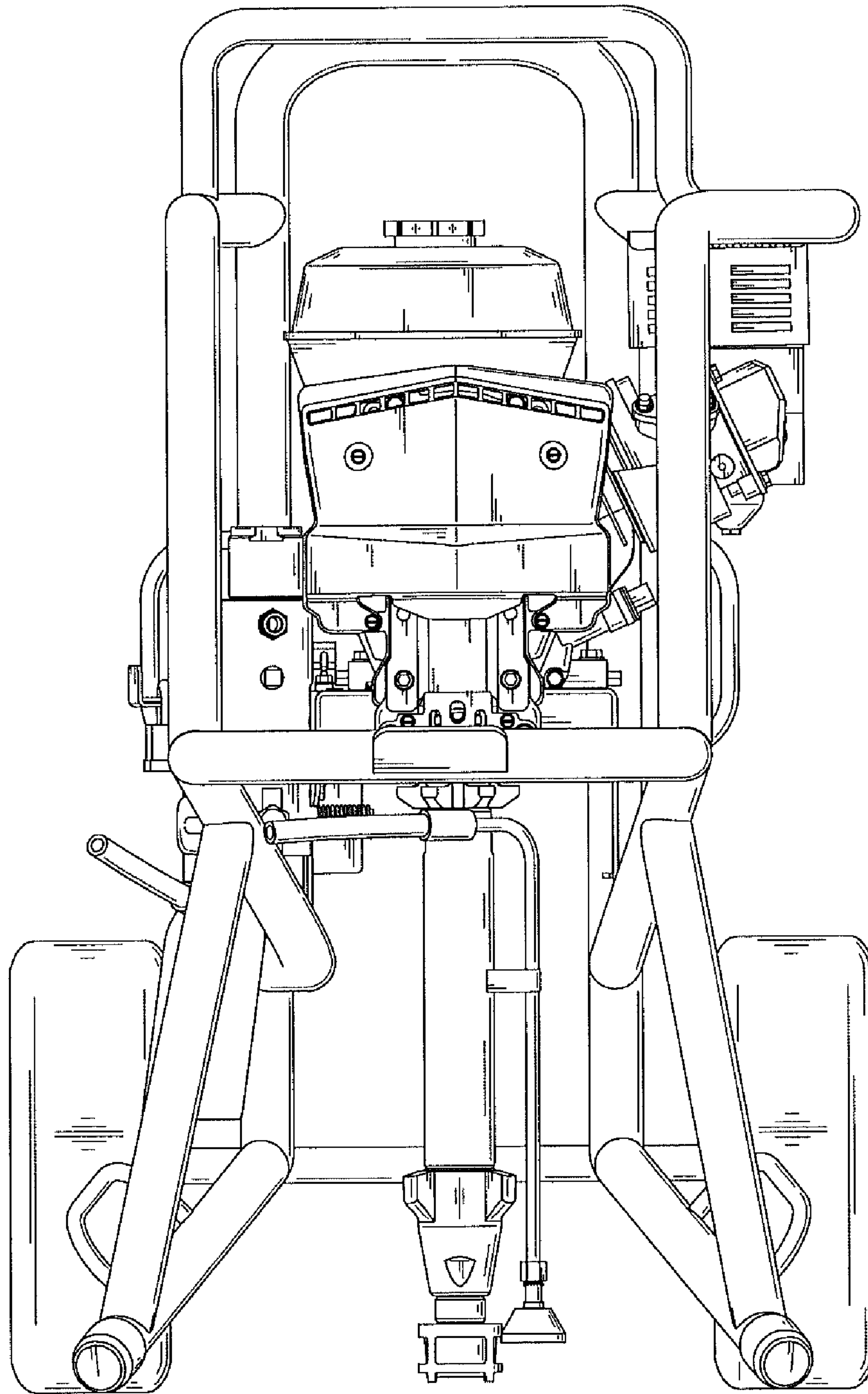


**FIG. 1**

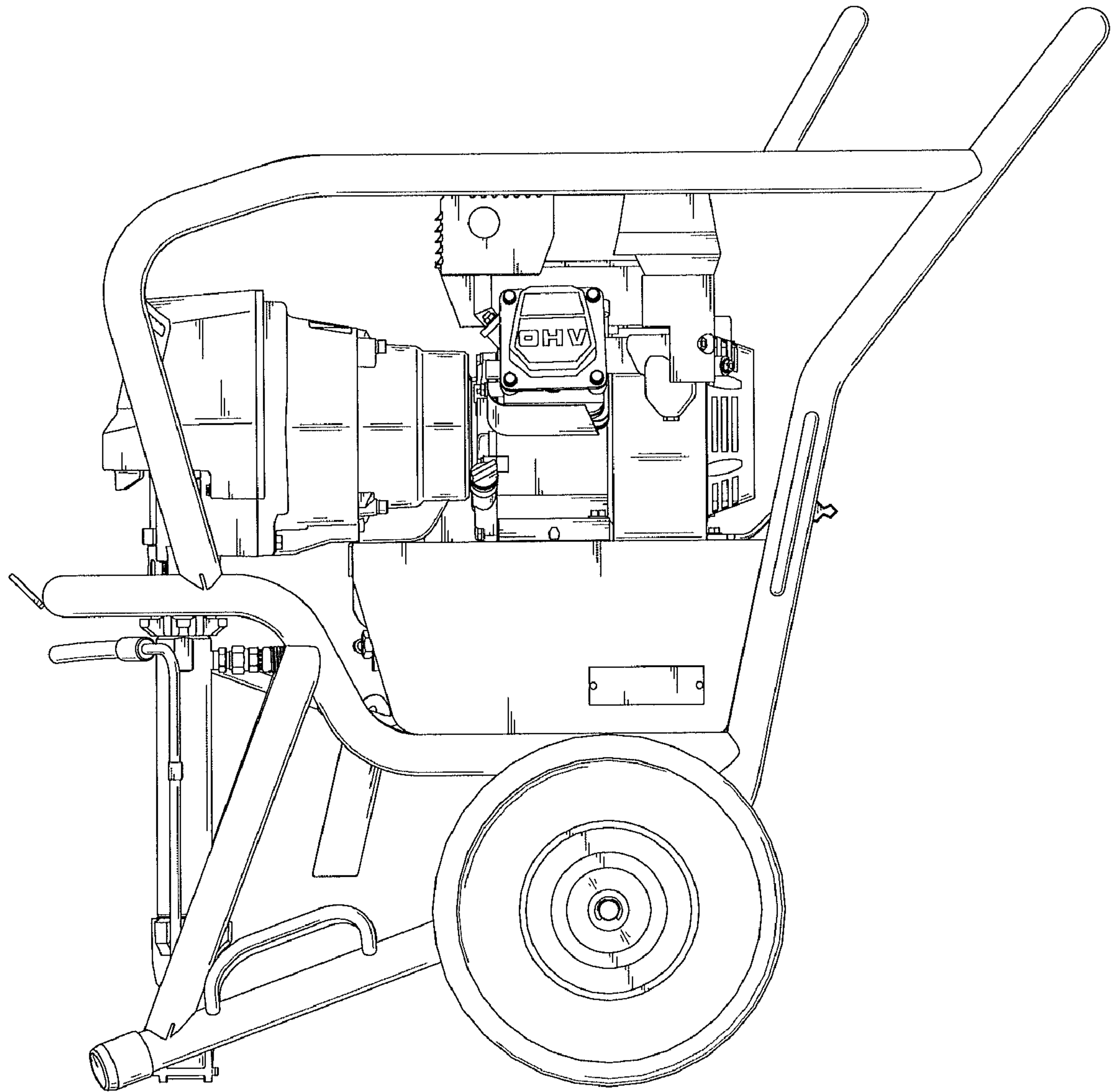


**FIG. 2**

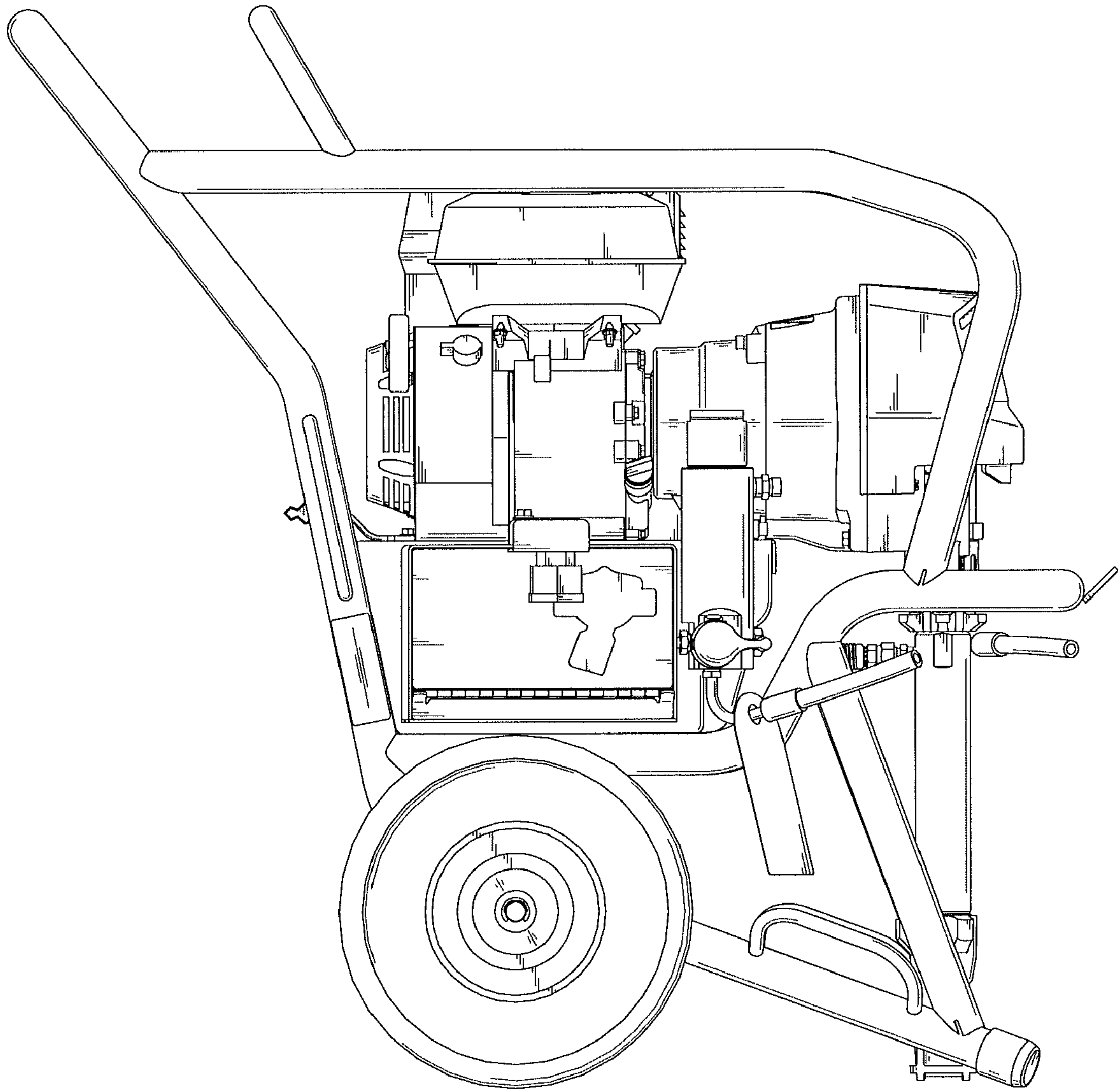




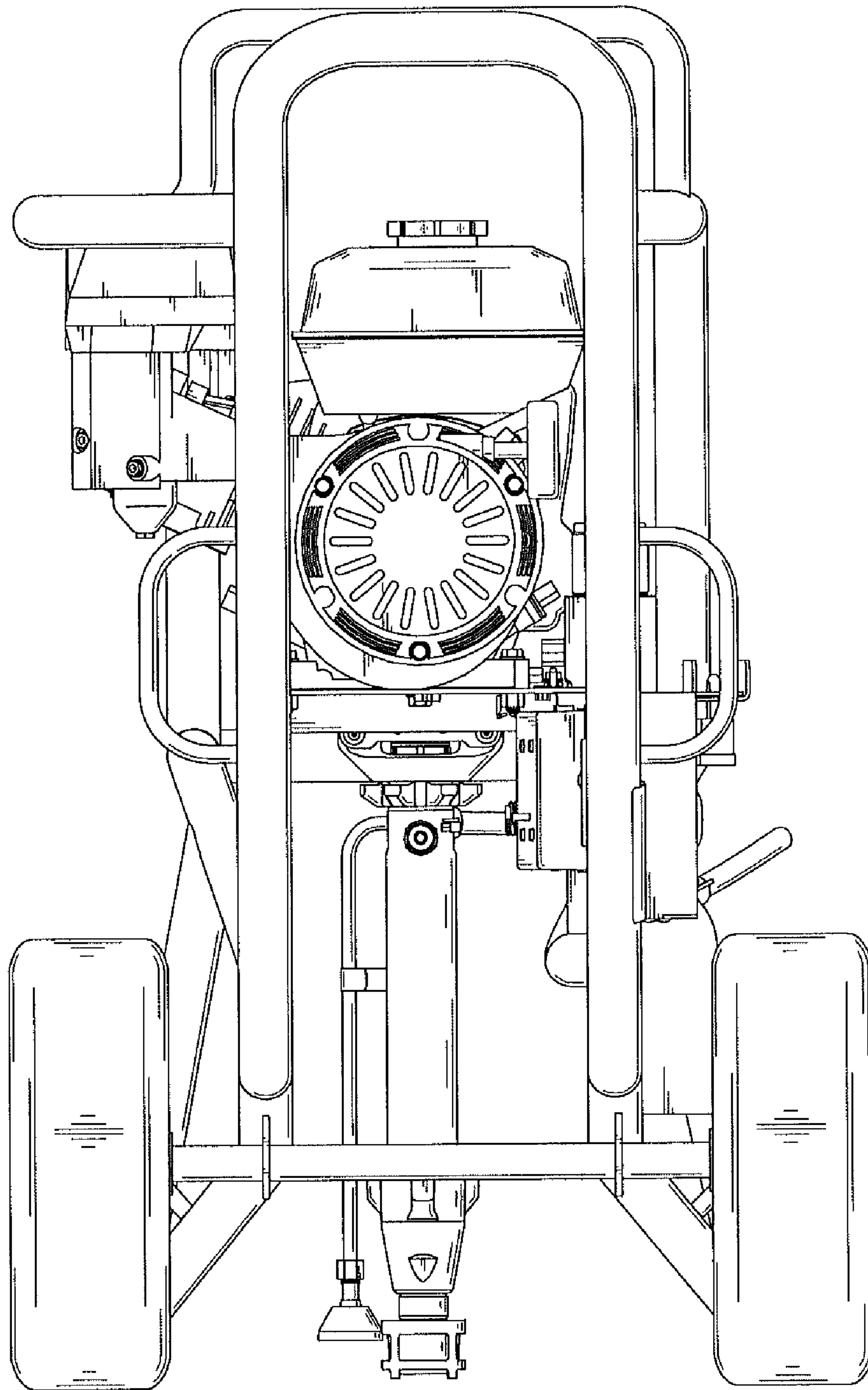
**FIG. 3**



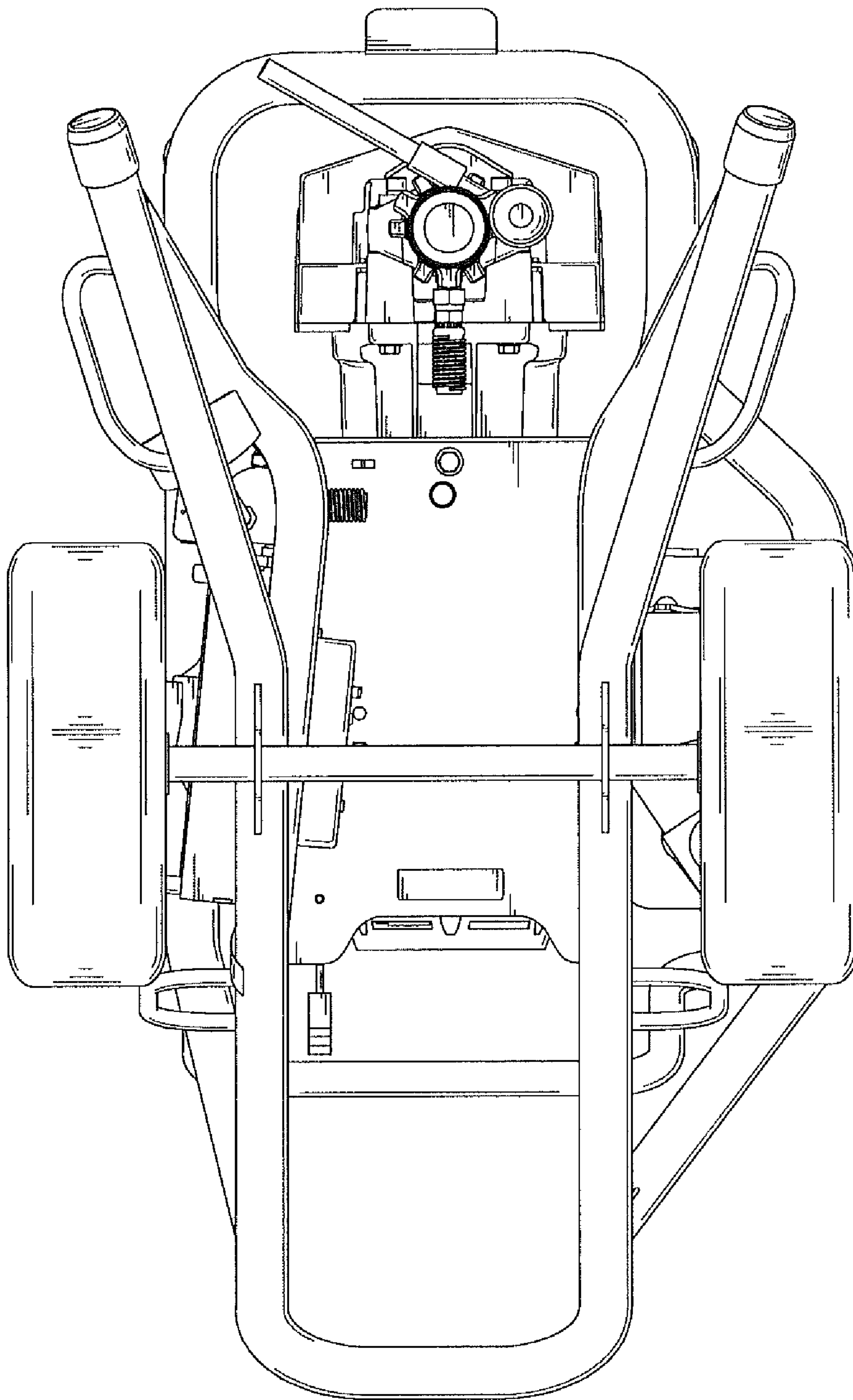
**FIG. 4**



**FIG. 5**



**FIG. 6**



**FIG. 7**