



US00D597171S

(12) **United States Design Patent**
Hin et al.

(10) **Patent No.:** **US D597,171 S**
(45) **Date of Patent:** **** Jul. 28, 2009**

(54) **COMPONENT OF A LIQUID TREATMENT DEVICE**

7,160,451 B2 * 1/2007 Hacker et al. 210/232

(75) Inventors: **Raymond A. Hin**, Kilsyth (AU); **Craig Andrews**, Kirribilli (AU)

* cited by examiner

Primary Examiner—Robin V Webster
(74) *Attorney, Agent, or Firm*—Dean W. Russell; Michael A. Bertelson; Kilpatrick Stockton LLP

(73) Assignee: **Zodiac Pool Care Europe** (FR)

(**) Term: **14 Years**

(57) **CLAIM**

(21) Appl. No.: **29/312,836**

The ornamental design for a component of a liquid treatment device, as shown and described.

(22) Filed: **Nov. 14, 2008**

(51) **LOC (9) Cl.** **23-01**

(52) **U.S. Cl.** **D23/207**

(58) **Field of Classification Search** D23/207,
D23/209; 210/206; 137/268; 422/264
See application file for complete search history.

DESCRIPTION

FIG. 1 is a perspective view of a component of a liquid treatment device showing my new design.

FIG. 2 is a front elevation view thereof, the rear elevation being a mirror image thereof.

FIG. 3 is a right side elevation view thereof.

FIG. 4 is a left side elevation view thereof; and,

FIG. 5 is a top plan view thereof.

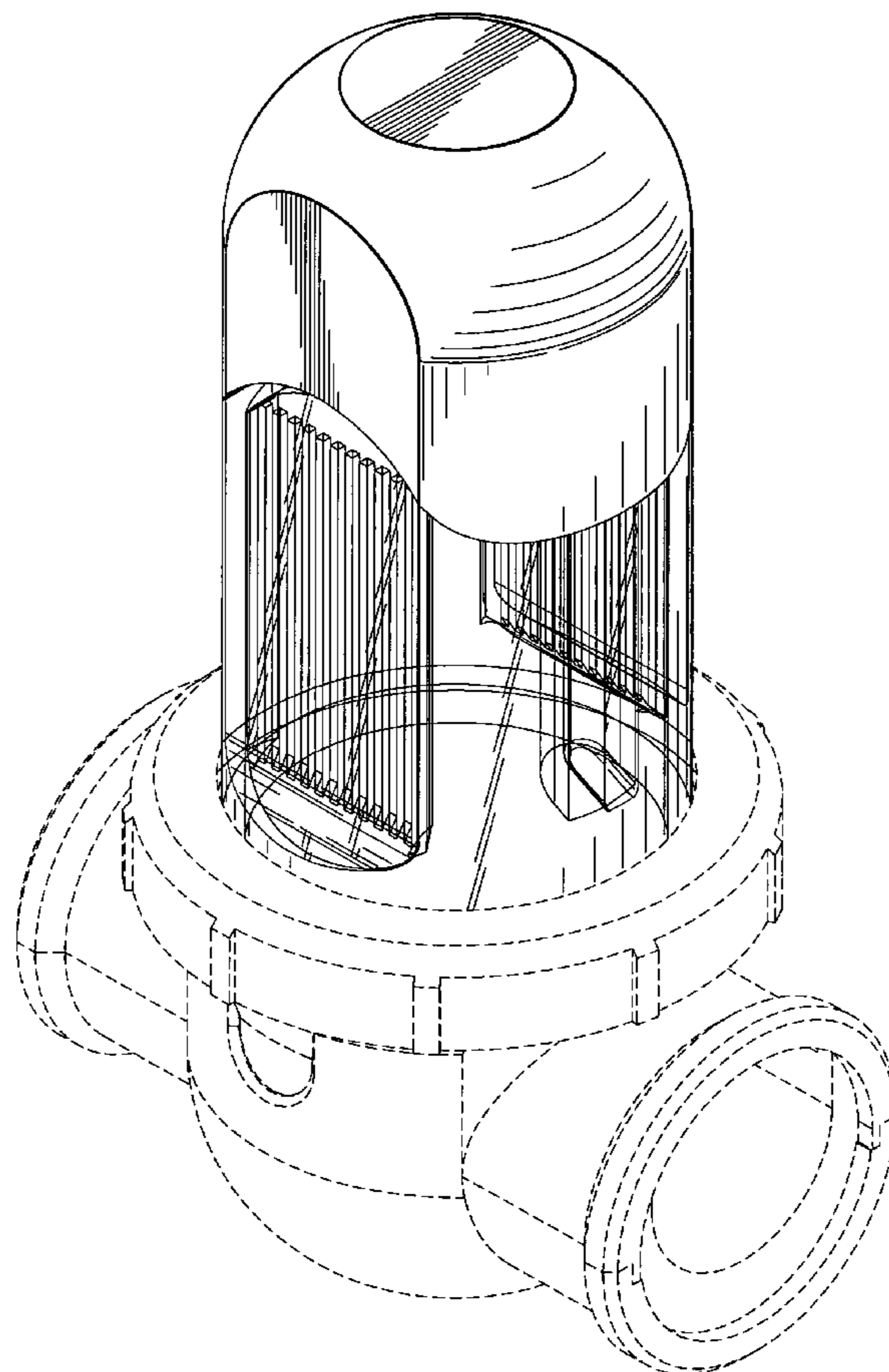
Portions of the component of a liquid treatment device not shown in the Figures form no part of the claimed design. The broken lines shown in the Figures are for illustrative purposes only and form no part of the claimed design.

(56) **References Cited**

U.S. PATENT DOCUMENTS

5,384,102	A *	1/1995	Ferguson et al.	422/264
D357,302	S *	4/1995	Colangelo et al.	D23/207
D391,338	S *	2/1998	King	D23/209
5,932,093	A *	8/1999	Chulick	210/167.11
6,680,026	B1 *	1/2004	Denkewicz et al.	422/28
6,915,811	B2 *	7/2005	Blanchette et al.	137/1
7,156,991	B2 *	1/2007	Herman et al.	210/206

1 Claim, 5 Drawing Sheets



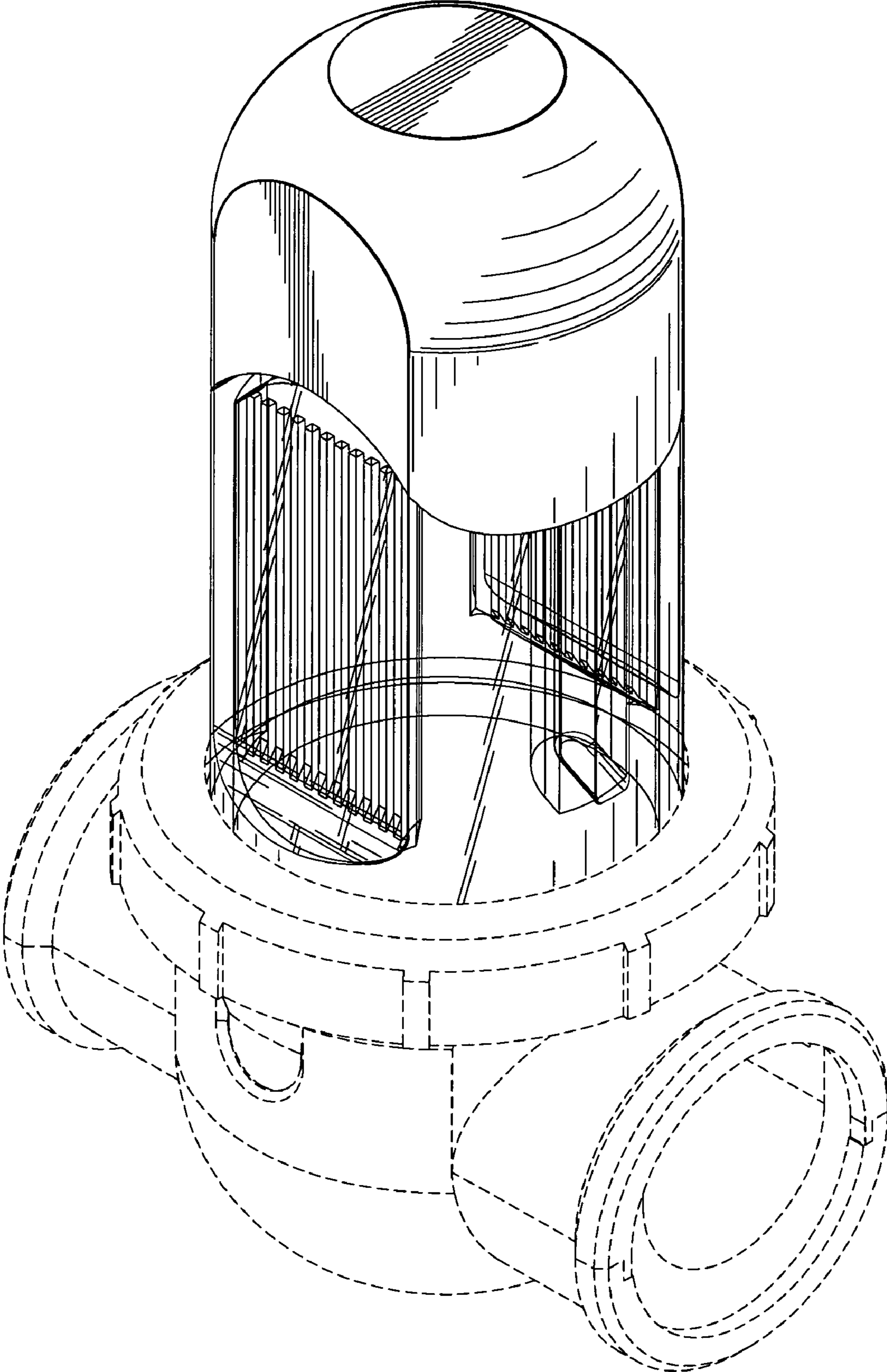


FIG. 1

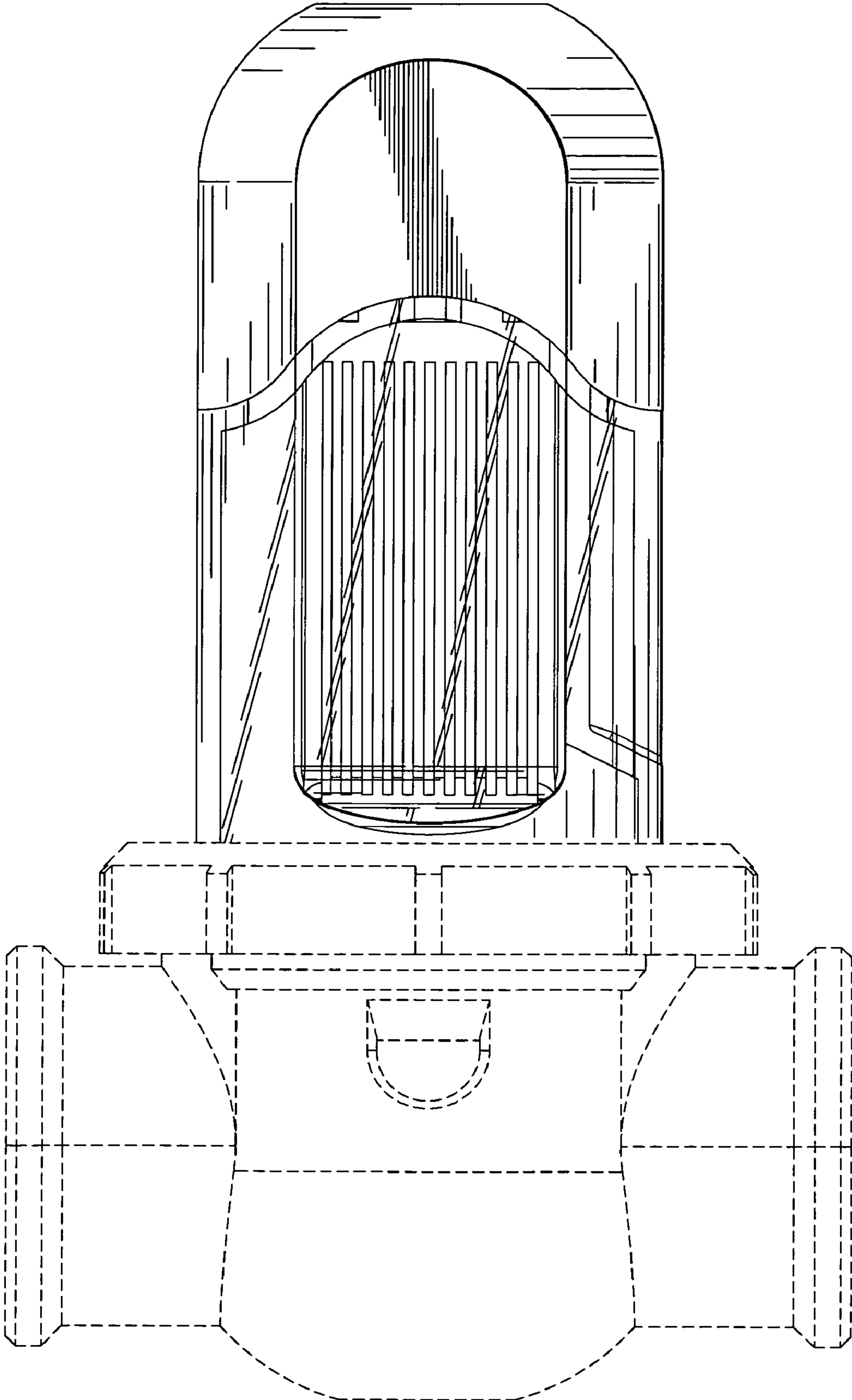


FIG. 2

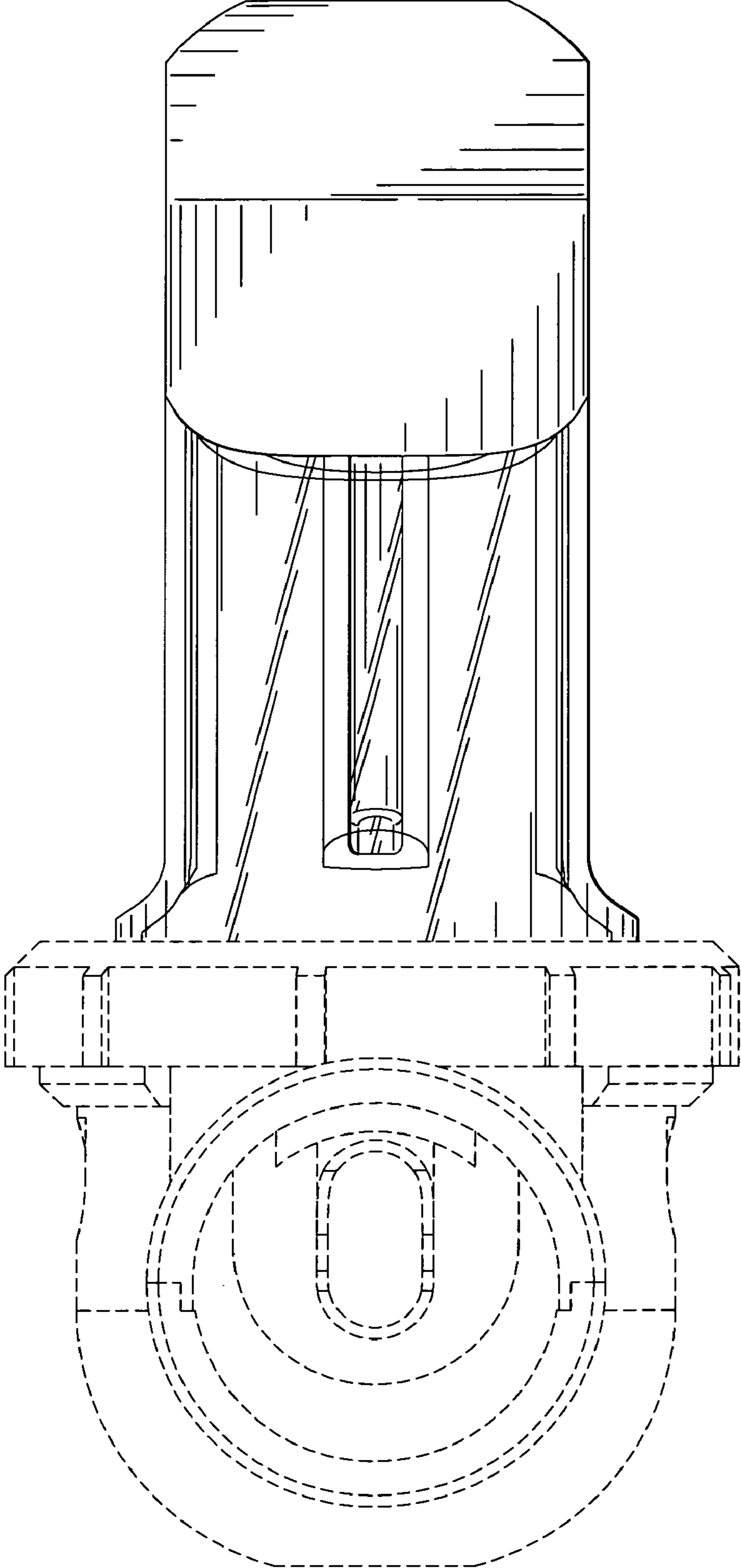


FIG. 3

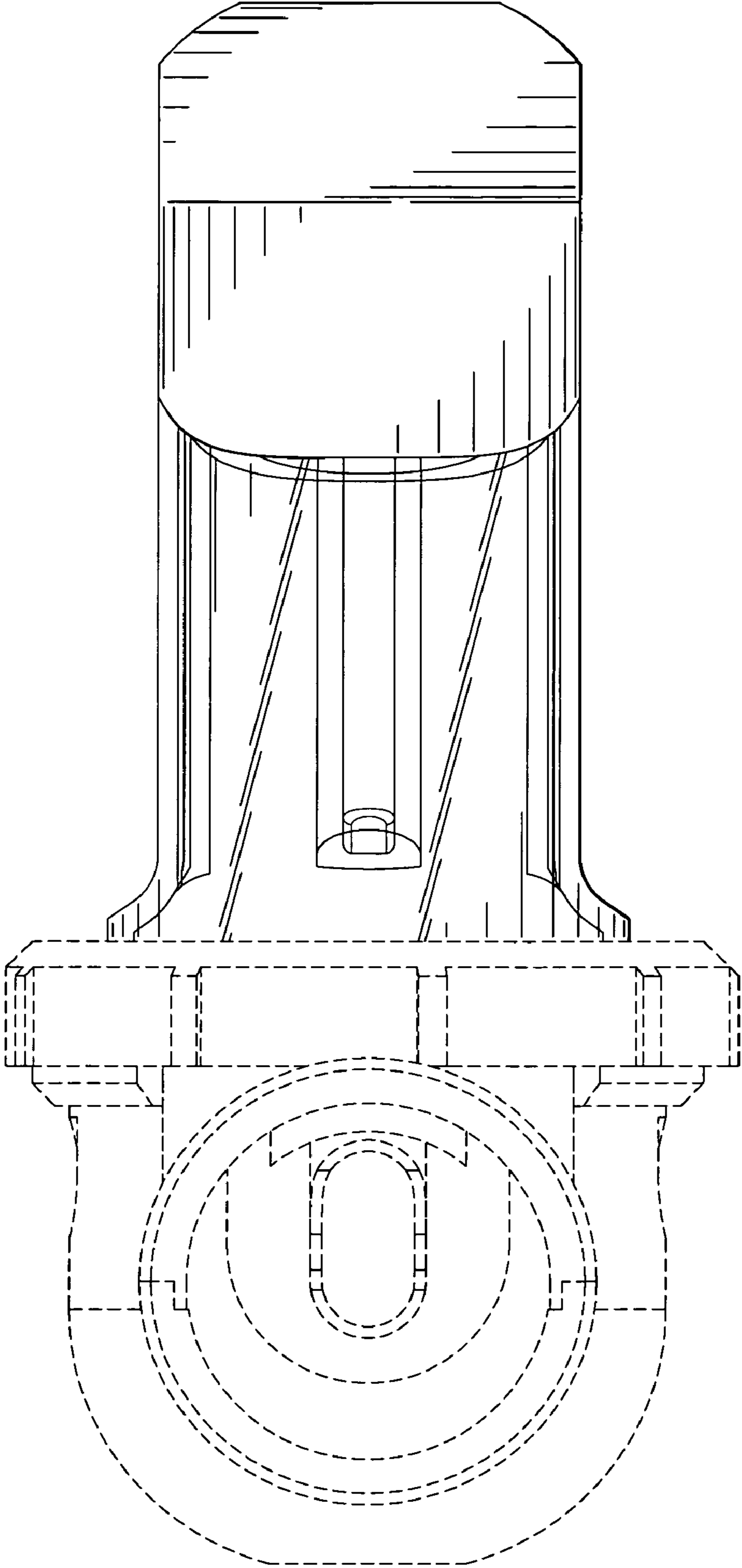


FIG. 4

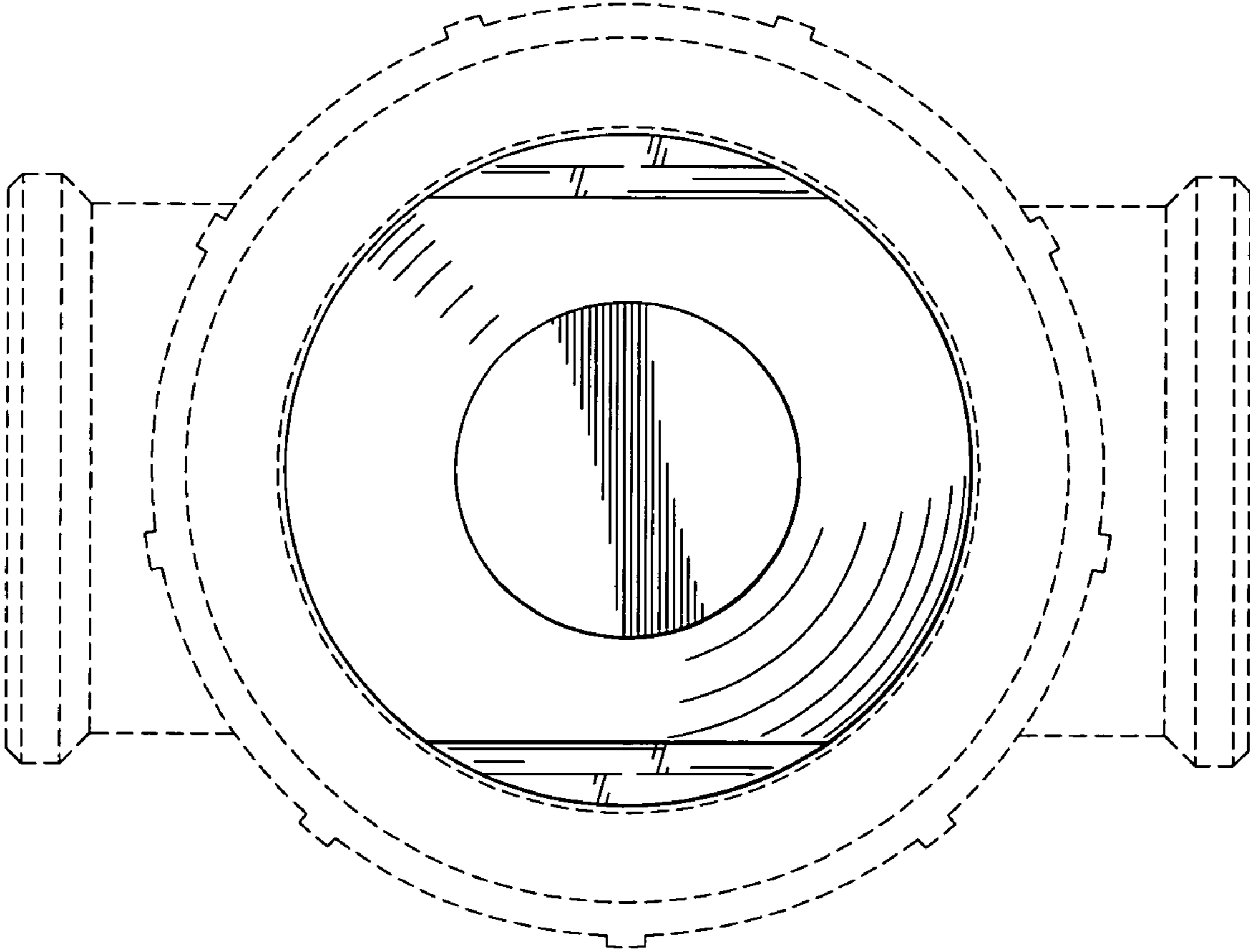


FIG. 5