



US00D597167S

(12) **United States Design Patent**
Chen

(10) **Patent No.:** **US D597,167 S**

(45) **Date of Patent:** **** Jul. 28, 2009**

(54) **BUG WACKER**

(75) Inventor: **Chi Gon Chen**, Guang Zhou (CN)

(73) Assignee: **International Development LLC**,
Roanoke, TX (US)

(**) Term: **14 Years**

(21) Appl. No.: **29/326,299**

(22) Filed: **Oct. 15, 2008**

(51) **LOC (9) Cl.** **22-06**

(52) **U.S. Cl.** **D22/123**

(58) **Field of Classification Search** D22/119–124;
43/112–113, 124, 131; D26/37–41
See application file for complete search history.

(56) **References Cited**

U.S. PATENT DOCUMENTS

D283,152 S *	3/1986	Cunning	D22/123
D283,153 S *	3/1986	DeYoreo	D22/123
D291,226 S *	8/1987	Wan	D22/123
D302,577 S *	8/1989	Lee	D22/123
D323,015 S *	1/1992	Brookshire	D22/123

* cited by examiner

Primary Examiner—Catherine R Oliver

(74) *Attorney, Agent, or Firm*—David W. Carstens; Carstens & Cahoon, LLP

(57) **CLAIM**

The ornamental design for a bug wacker, as shown and described.

DESCRIPTION

FIG. 1 is a perspective view of the bug wacker of the present invention;

FIG. 2 is a top plan view thereof;

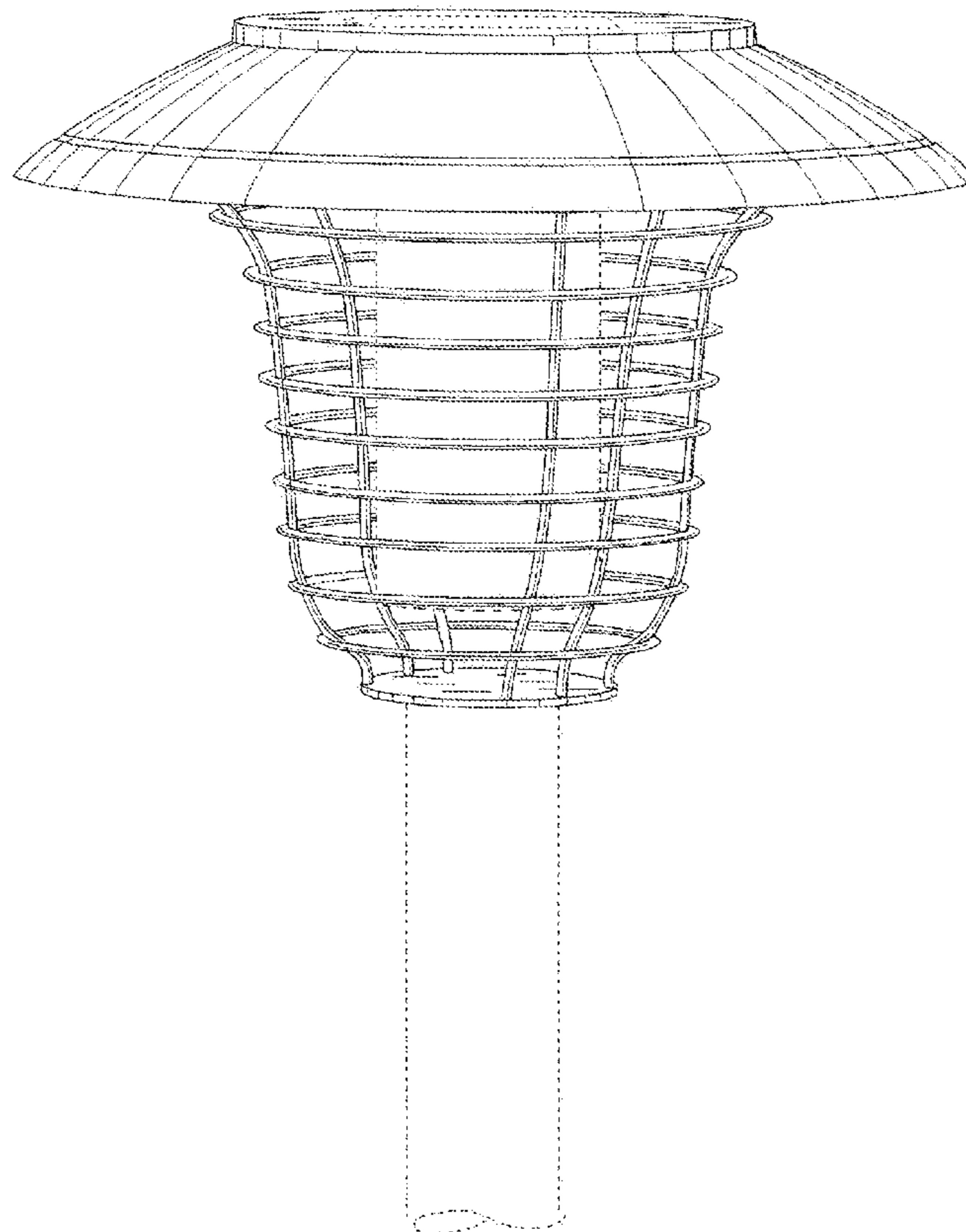
FIG. 3 is a front elevation view; the rear elevation view being the same;

FIG. 4 is a left side elevation view; the right side elevation view being the same; and,

FIG. 5 is a bottom plan view.

The broken line showing of environment in the drawings is included for the purpose of illustrating only and forms no part of the claimed design.

1 Claim, 3 Drawing Sheets



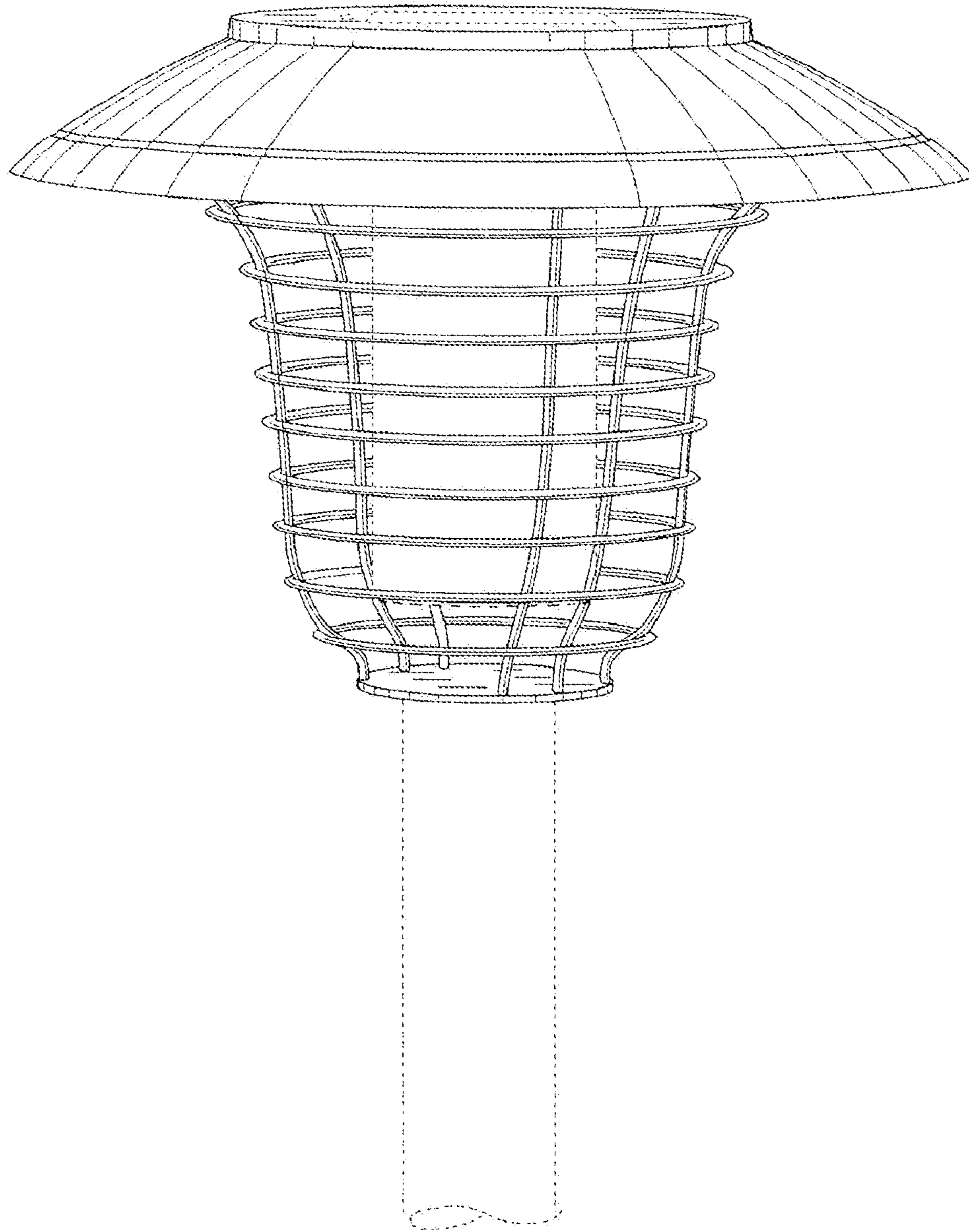


Fig. 1

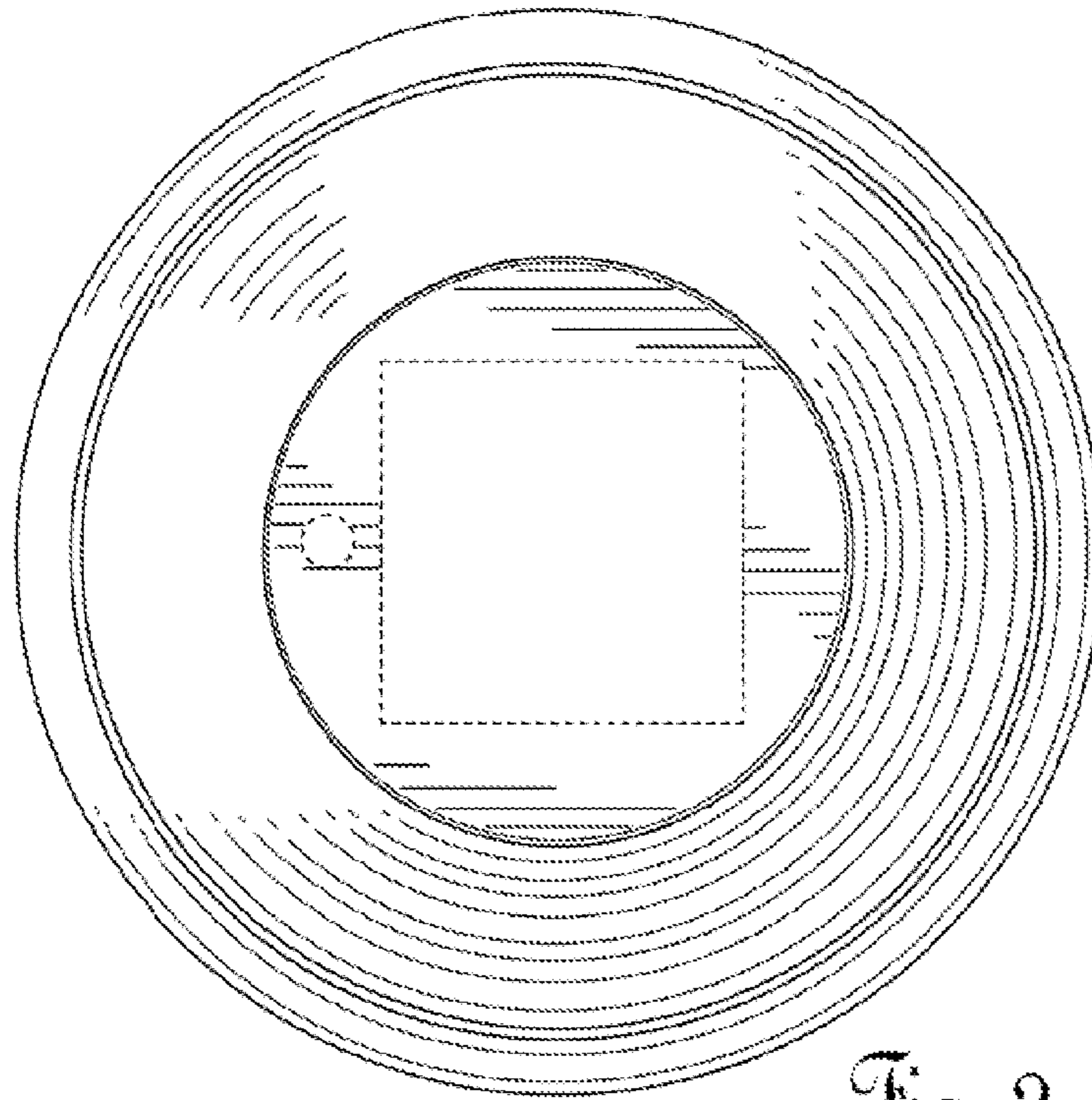


Fig. 2

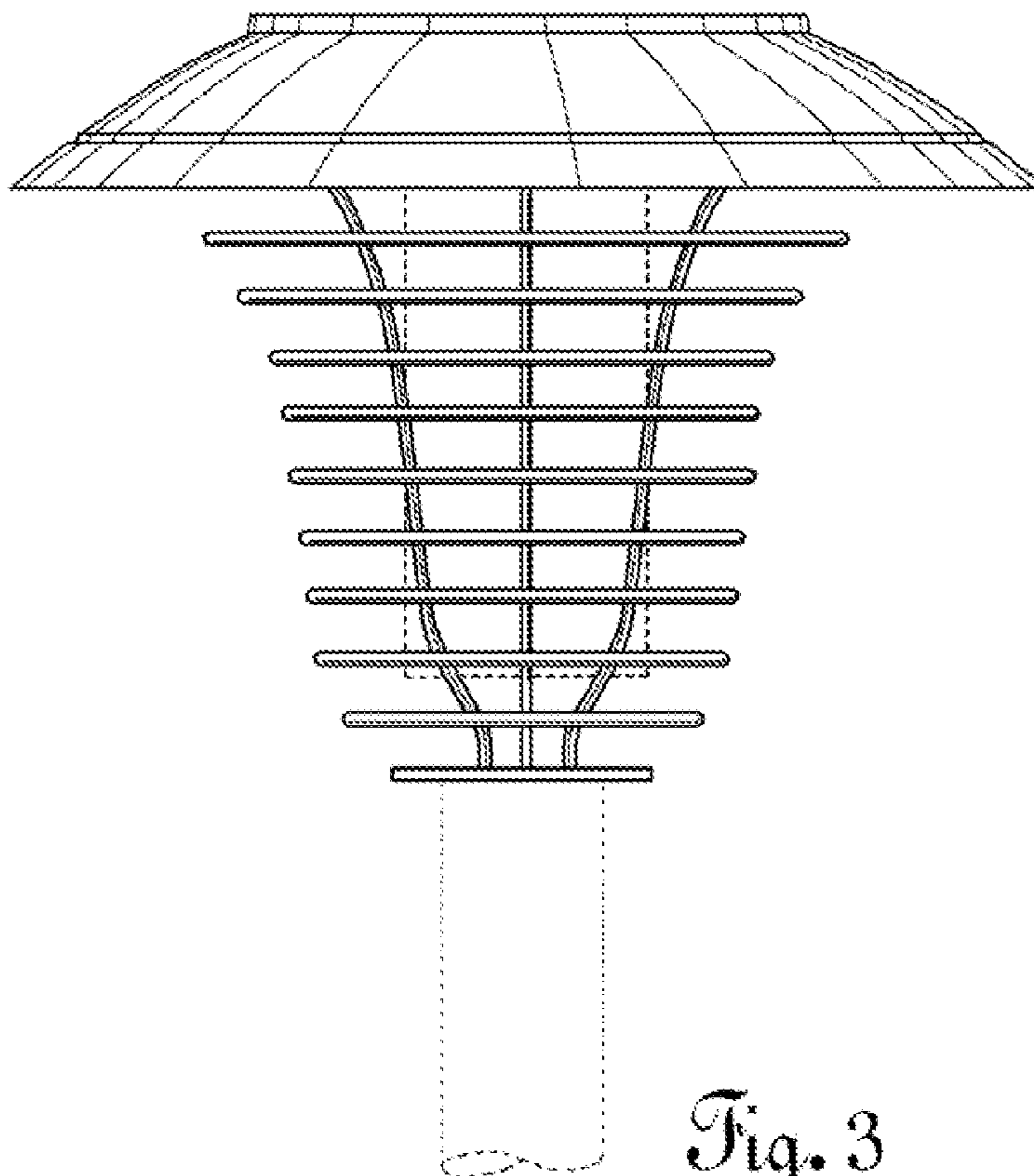


Fig. 3

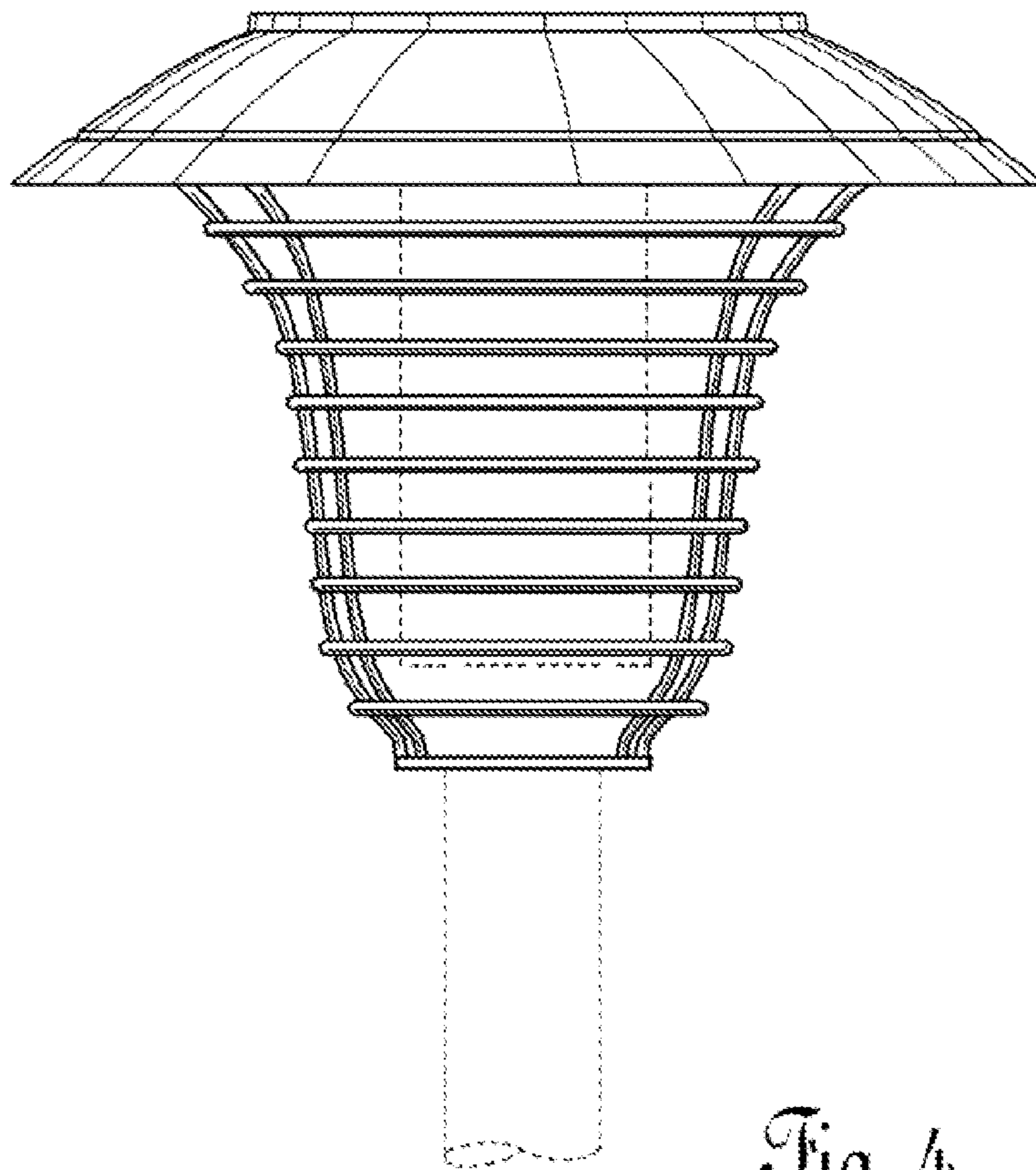


Fig. 4

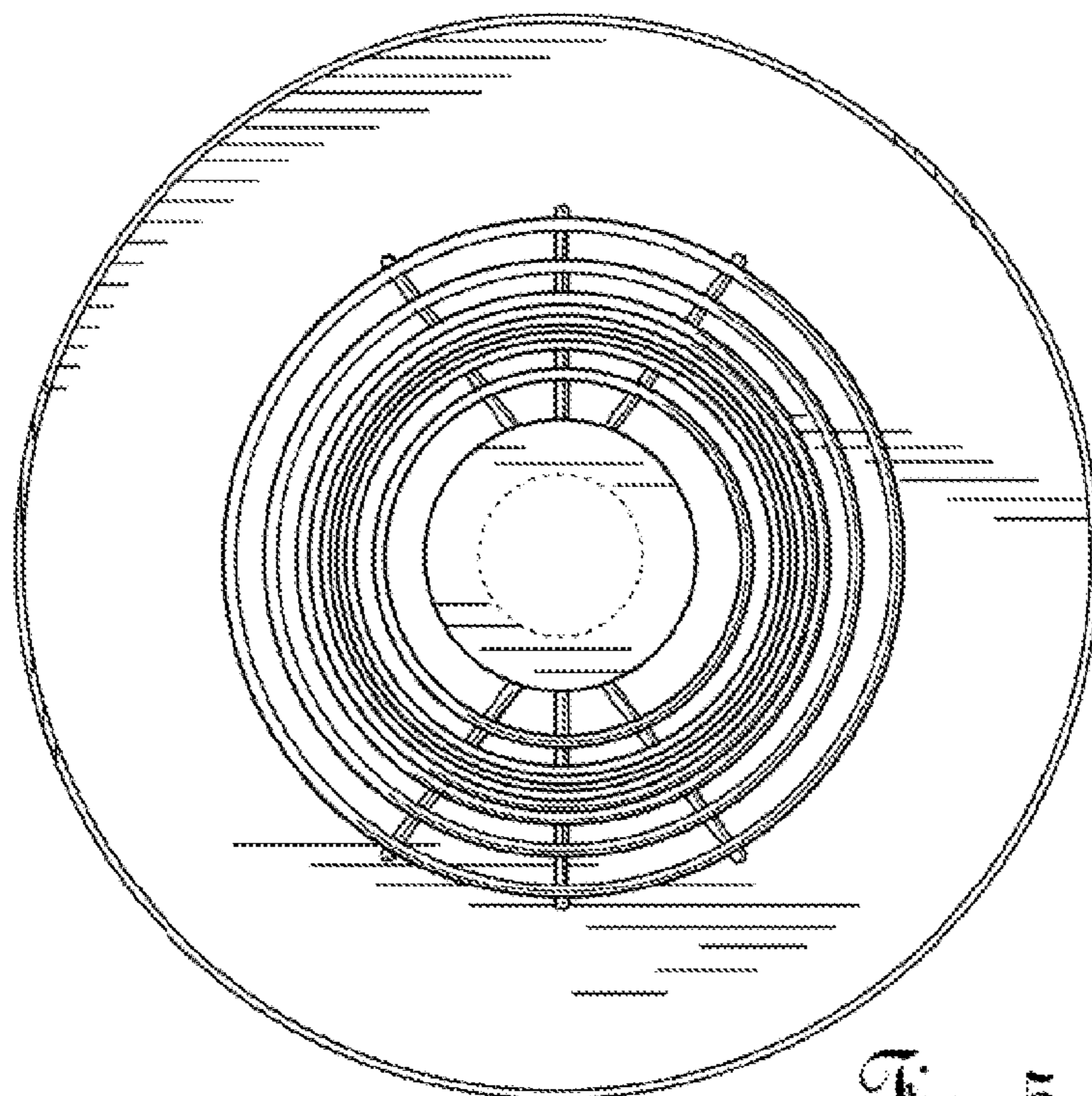


Fig. 5