

US00D597165S

(12) **United States Design Patent**
Moody et al.

(10) **Patent No.:** **US D597,165 S**
(45) **Date of Patent:** **** Jul. 28, 2009**

(54) **ACCESSORY RAIL MOUNT FOR VERTICAL FORE GRIPS**

(75) Inventors: **Joseph R. Moody**, Jacksonville, FL (US); **Joseph D. Gaddini**, Evans, GA (US)

(73) Assignee: **Grip Pod Systems, LLC**, Jacksonville, FL (US)

(**) Term: **14 Years**

(21) Appl. No.: **29/314,818**

(22) Filed: **May 1, 2009**

Related U.S. Application Data

(60) Division of application No. 29/296,039, filed on Oct. 12, 2007, now Pat. No. Des. 594,925, which is a continuation-in-part of application No. 11/652,337, filed on Jan. 11, 2007, which is a continuation of application No. 29/267,729, filed on Oct. 20, 2006, which is a continuation-in-part of application No. 11/485,762, filed on Jul. 13, 2006, now Pat. No. 7,490,429, which is a division of application No. 29/259,347, filed on May 5, 2005, which is a continuation-in-part of application No. 10/725,082, filed on Dec. 2, 2003, now Pat. No. 7,111,424.

(51) **LOC (9) Cl.** **22-01**

(52) **U.S. Cl.** **D22/109**

(58) **Field of Classification Search** D22/100, D22/108, 109, 110, 199; 42/11, 113, 116, 42/119, 124, 125, 127, 90, 145, 128, 72, 42/106, 114, 85, 75.02, 71.01; 124/205.1, 124/201

See application file for complete search history.

(56) **References Cited**

U.S. PATENT DOCUMENTS

271,251 A 1/1883 Leerbech et al.

(Continued)

OTHER PUBLICATIONS

Denis H.R. Archer, M.A., *Jane's Infantry Weapons*, (1976) pp. 1-3. Brugger & Thomas Unipod, Forward grip with retractable bipod, [online] DSA Inc. Systems Second to None, DSA Order Center, 1 Page, [retrieve on Oct. 18, 2006] retrieve from: <http://www.dsarms.com/item-detail.cfm?ID=BT21830A&steroid=1&image=bt2830A.gif>.

Primary Examiner—T. Chase Nelson

Assistant Examiner—Michael A Pratt

(74) *Attorney, Agent, or Firm*—Brian S. Steinberger; Law Offices of Brian S. Steinberger, P.A.

(57) **CLAIM**

The ornamental design for accessory rail mount for vertical fore grips, as shown and described.

DESCRIPTION

FIG. 1 is an upper front left perspective of another accessory rail mount design.

FIG. 2 is an upper front right perspective view of the mount design of FIG. 1.

FIG. 3 is an upper rear right perspective view of the mount design of FIG. 1.

FIG. 4 is an upper rear left perspective view of the mount design of FIG. 1.

FIG. 5 is a front view of the mount design of FIG. 1.

FIG. 6 is a rear view of the mount design of FIG. 1.

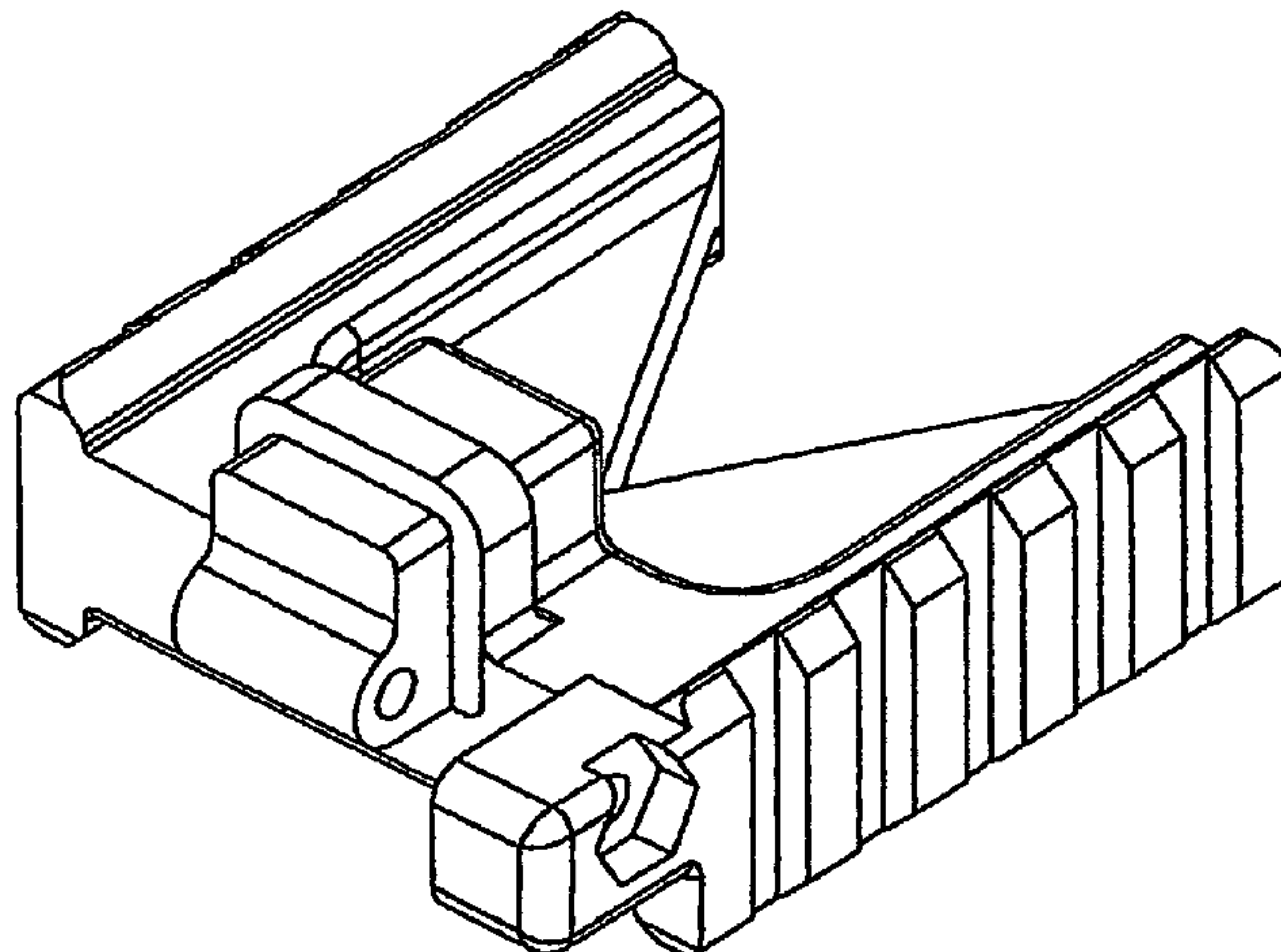
FIG. 7 is a top view of the mount design of FIG. 1.

FIG. 8 is a bottom view of the mount design of FIG. 1.

FIG. 9 is a left side view of the mount design of FIG. 1; and,

FIG. 10 is a right side view of the mount design of FIG. 1.

1 Claim, 5 Drawing Sheets



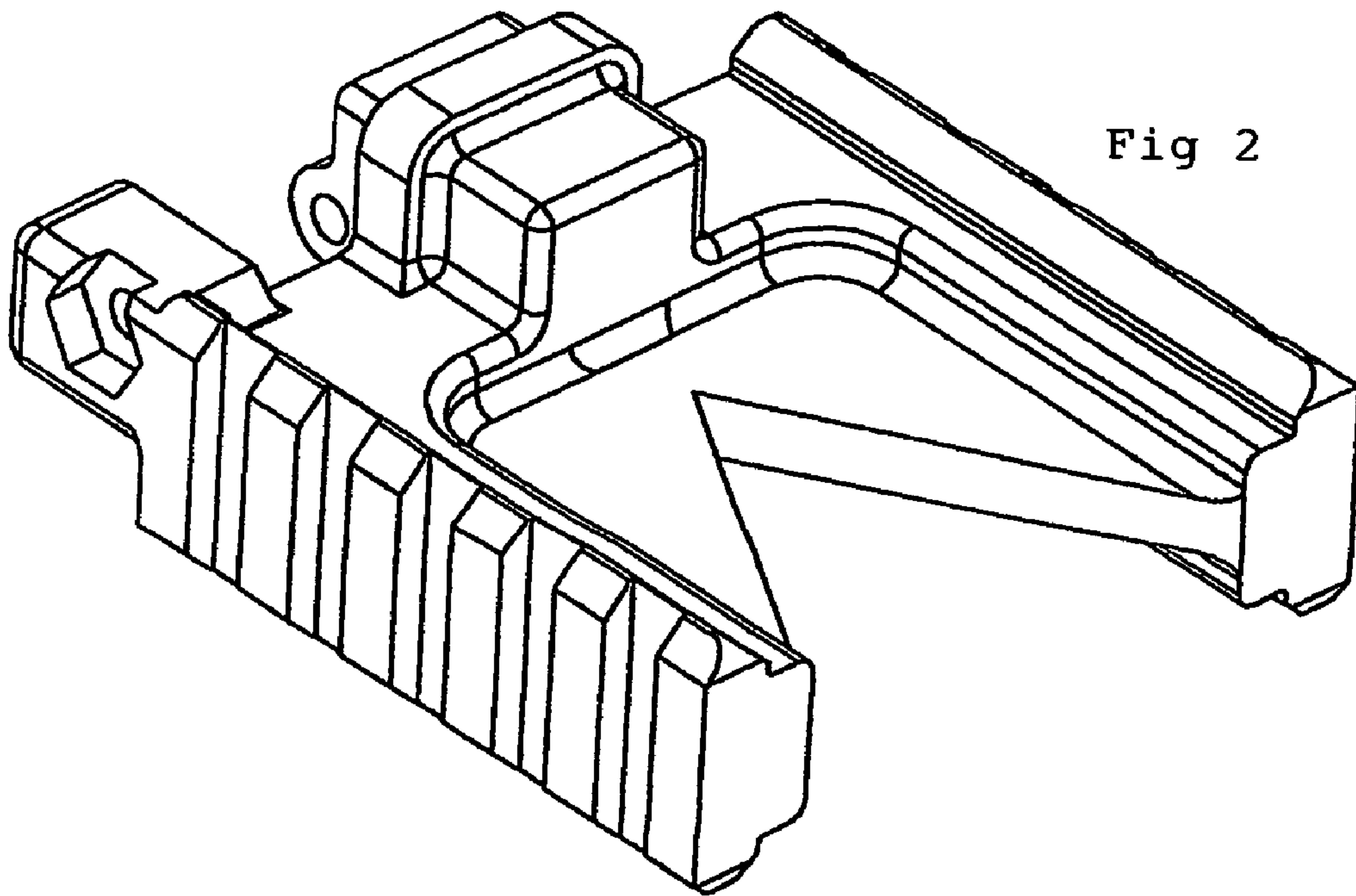
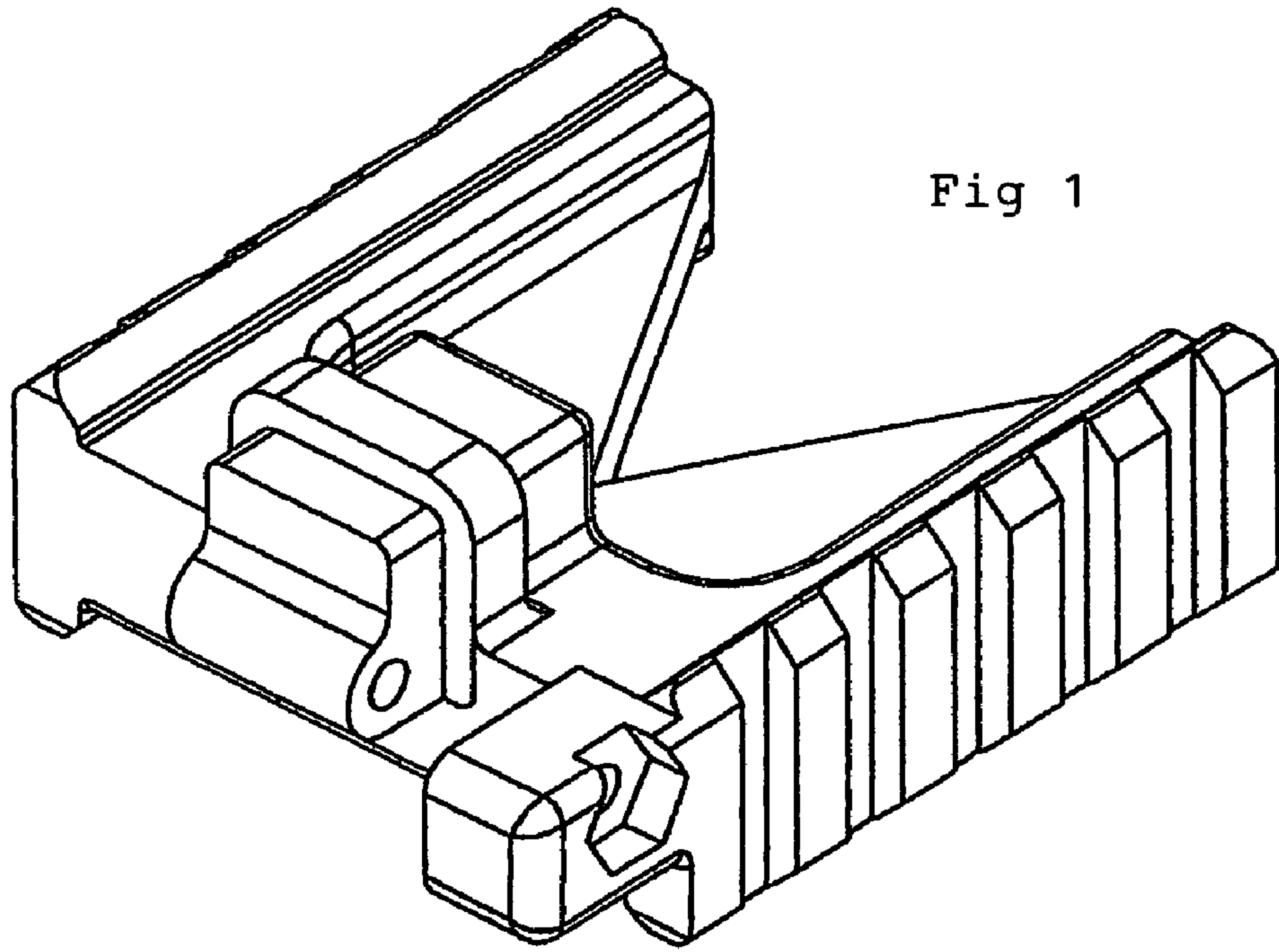
US D597,165 S

Page 2

U.S. PATENT DOCUMENTS

579,529 A	1/1897	Stephans	3,632,073 A	1/1972	Nakaani
721,425 A	2/1903	Clyde	4,121,799 A	10/1978	Michio
1,295,688 A	2/1919	Butler	4,545,660 A	10/1985	Rudolf
1,355,660 A	10/1920	Farquhar et al.	5,345,706 A	9/1994	Brown
1,382,409 A	6/1921	Butler	5,384,609 A	1/1995	Ogawa et al.
1,580,406 A	4/1926	Browning	5,438,786 A	8/1995	Hilderbrand
2,386,802 A	10/1945	Johnson	6,289,622 B1	9/2001	Desch, Jr. et al.
2,420,267 A	5/1947	Sefried	6,487,807 B1	12/2002	Kopman et al.
2,436,349 A	2/1948	Adams	D591,822 S *	5/2009	Moody et al. D22/109
2,489,283 A	11/1949	Garand	2004/0103577 A1 *	6/2004	Compton 42/85
2,763,456 A	9/1956	Breer	2005/0241206 A1	11/2005	Teetzel et al.
3,235,997 A	2/1966	Stoner			

* cited by examiner



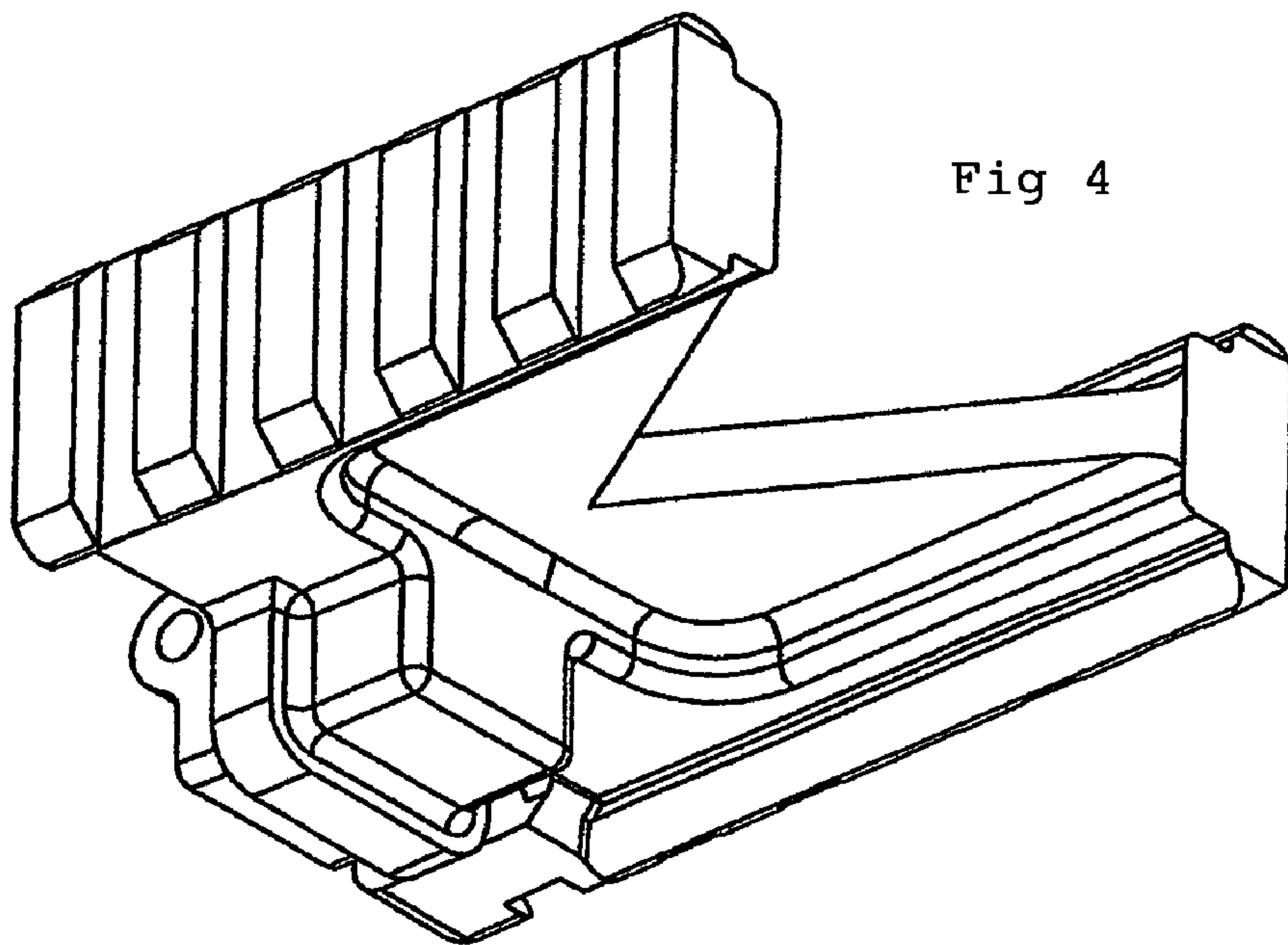
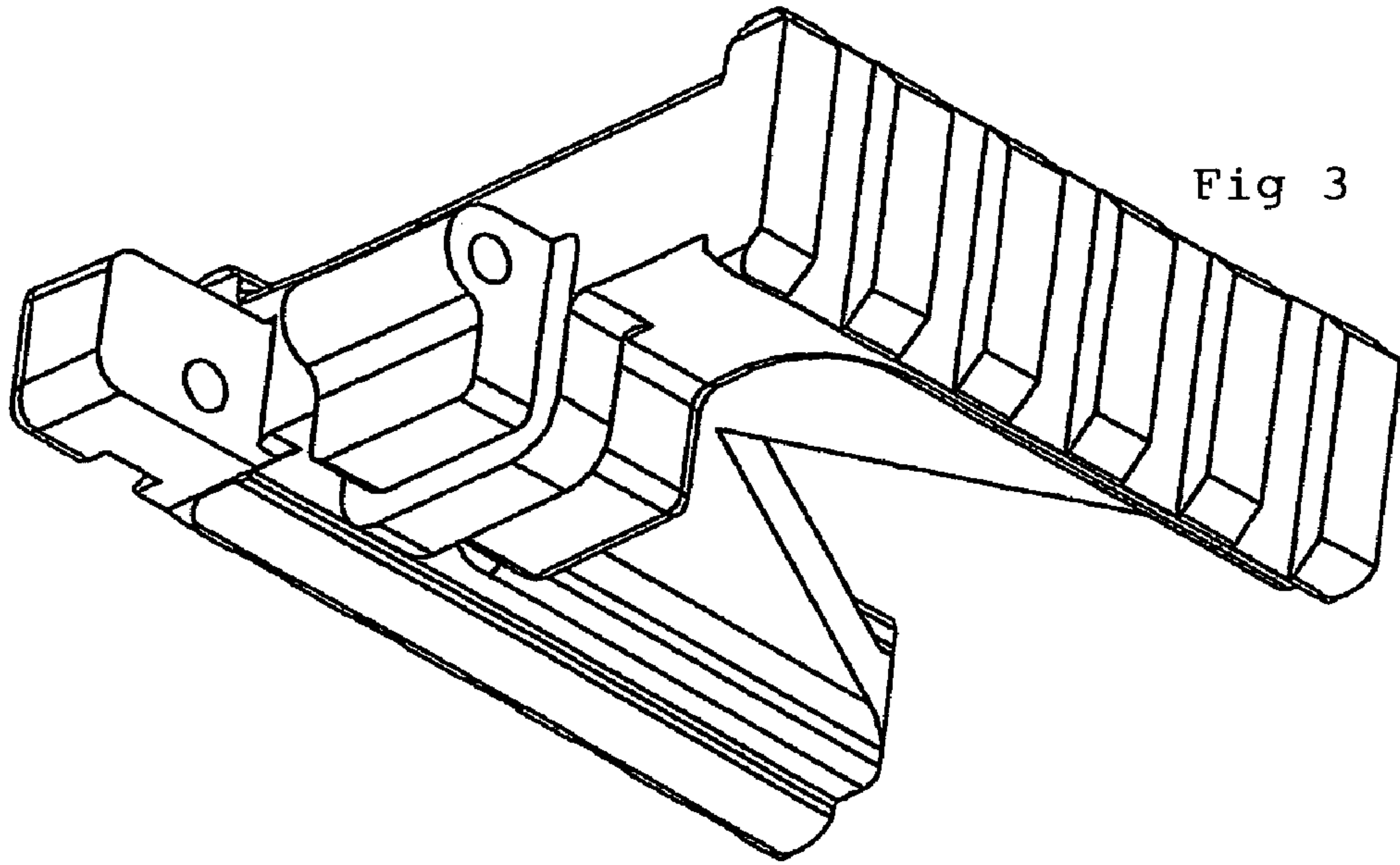


Fig 5

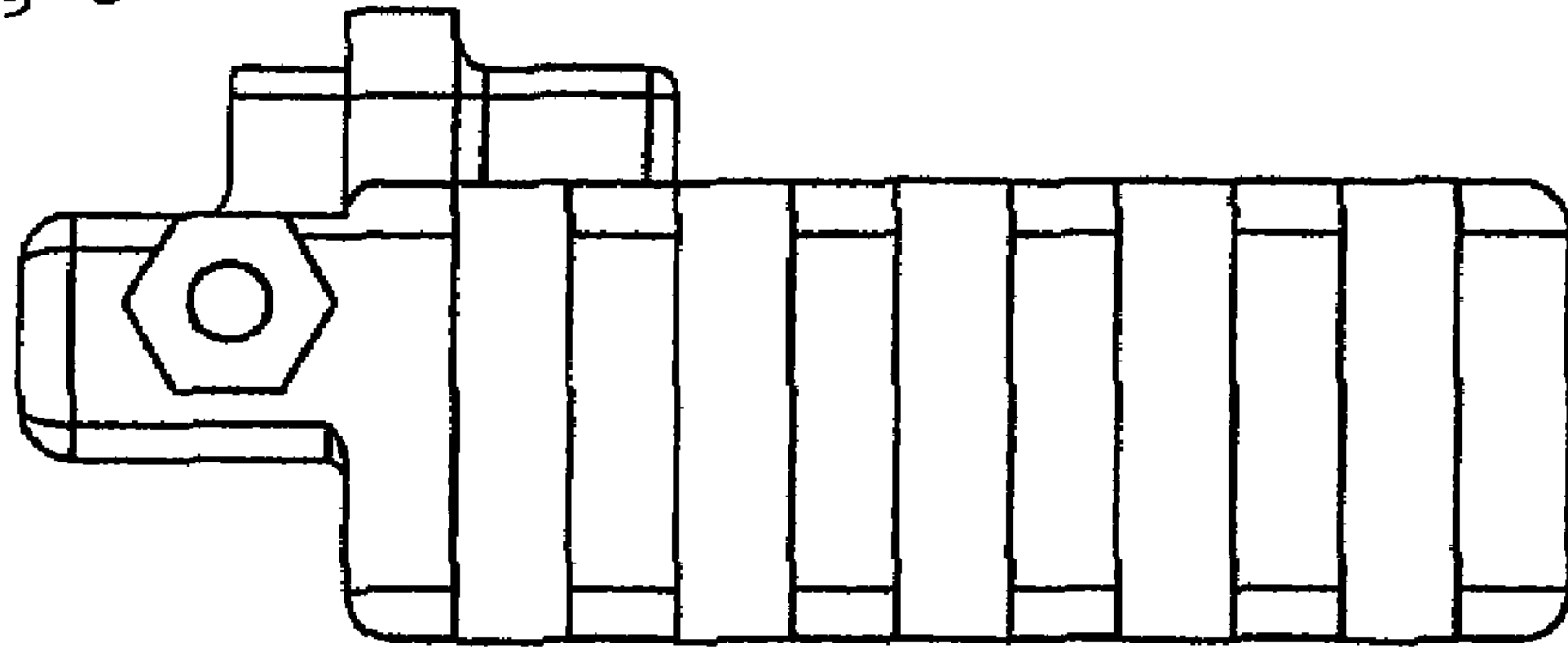


Fig 6

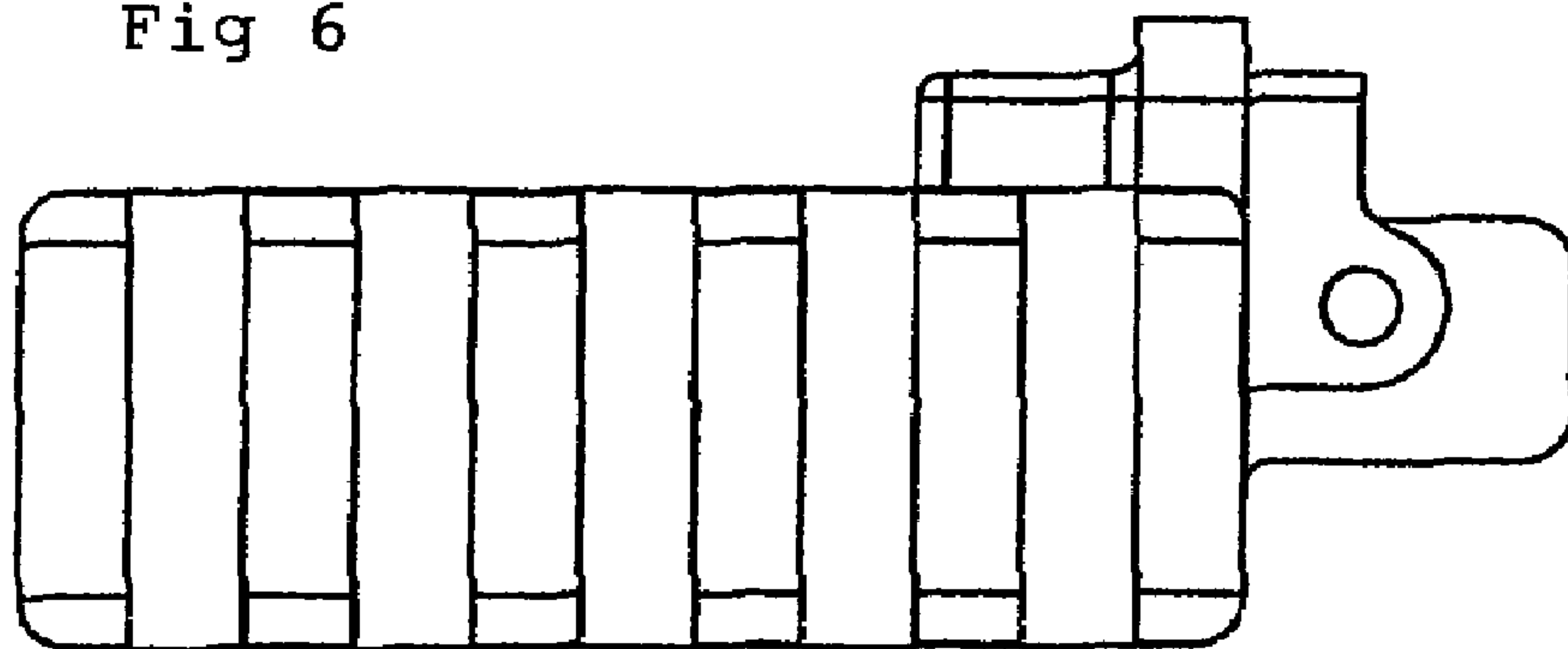


Fig 7

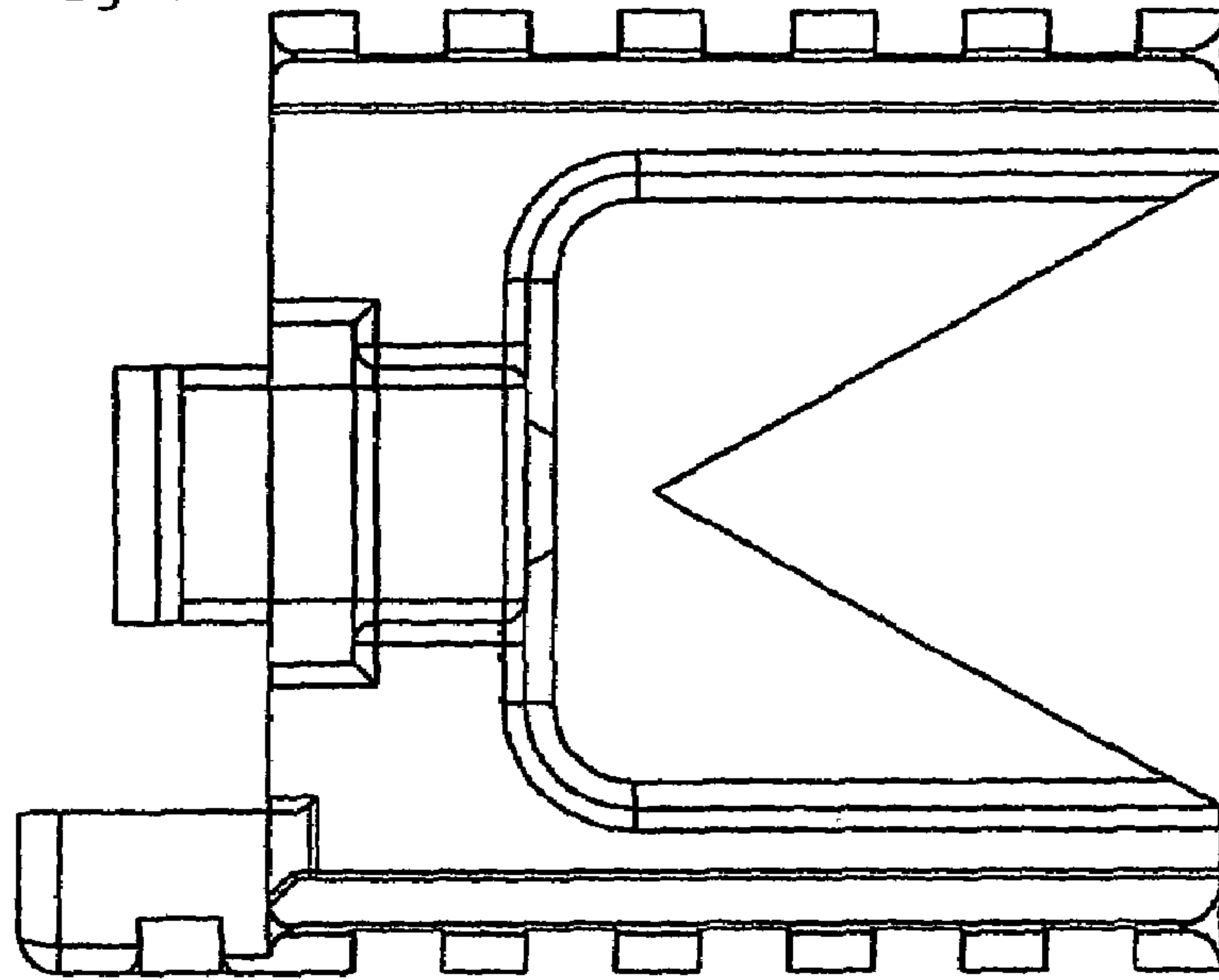


Fig 8

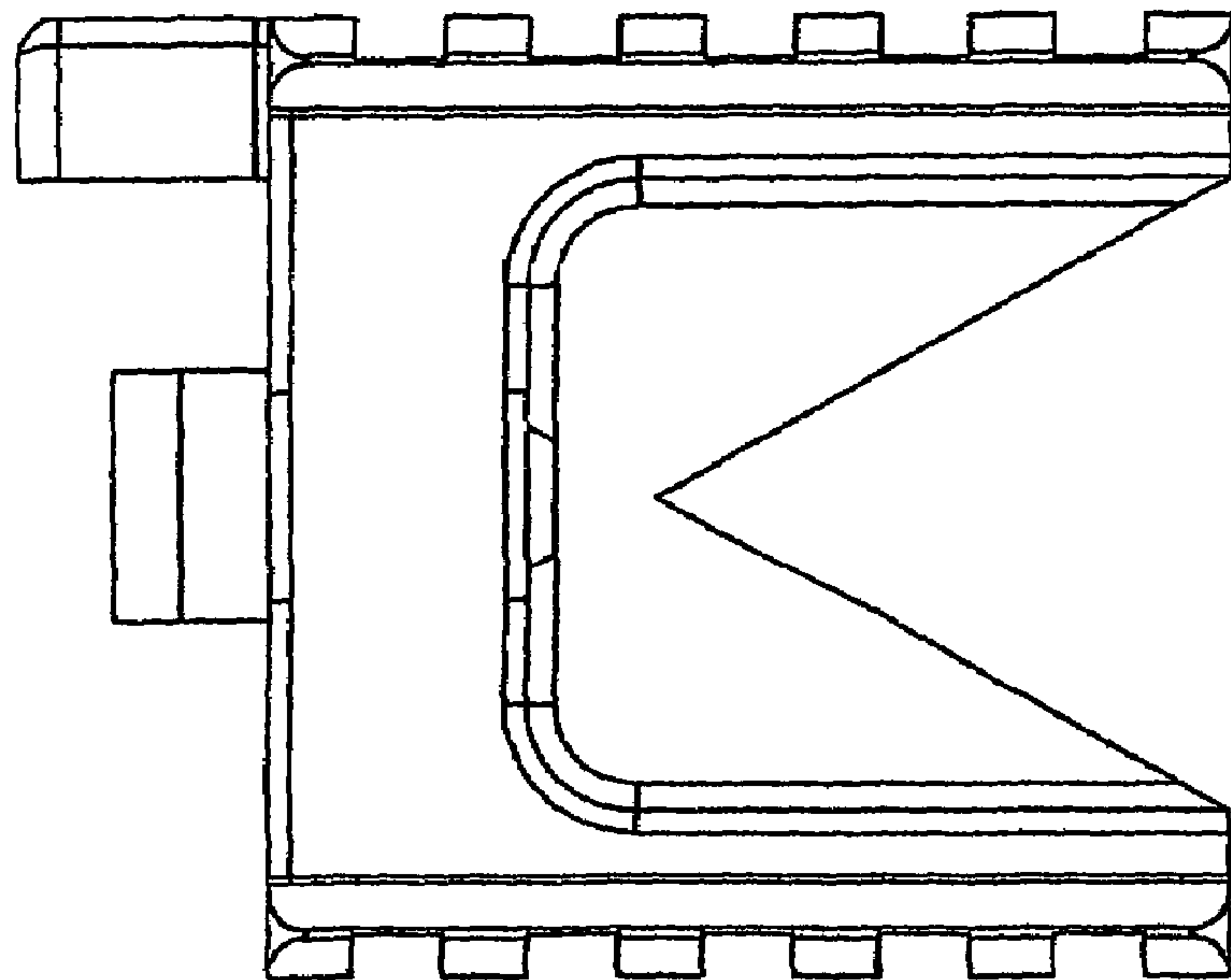


Fig 9

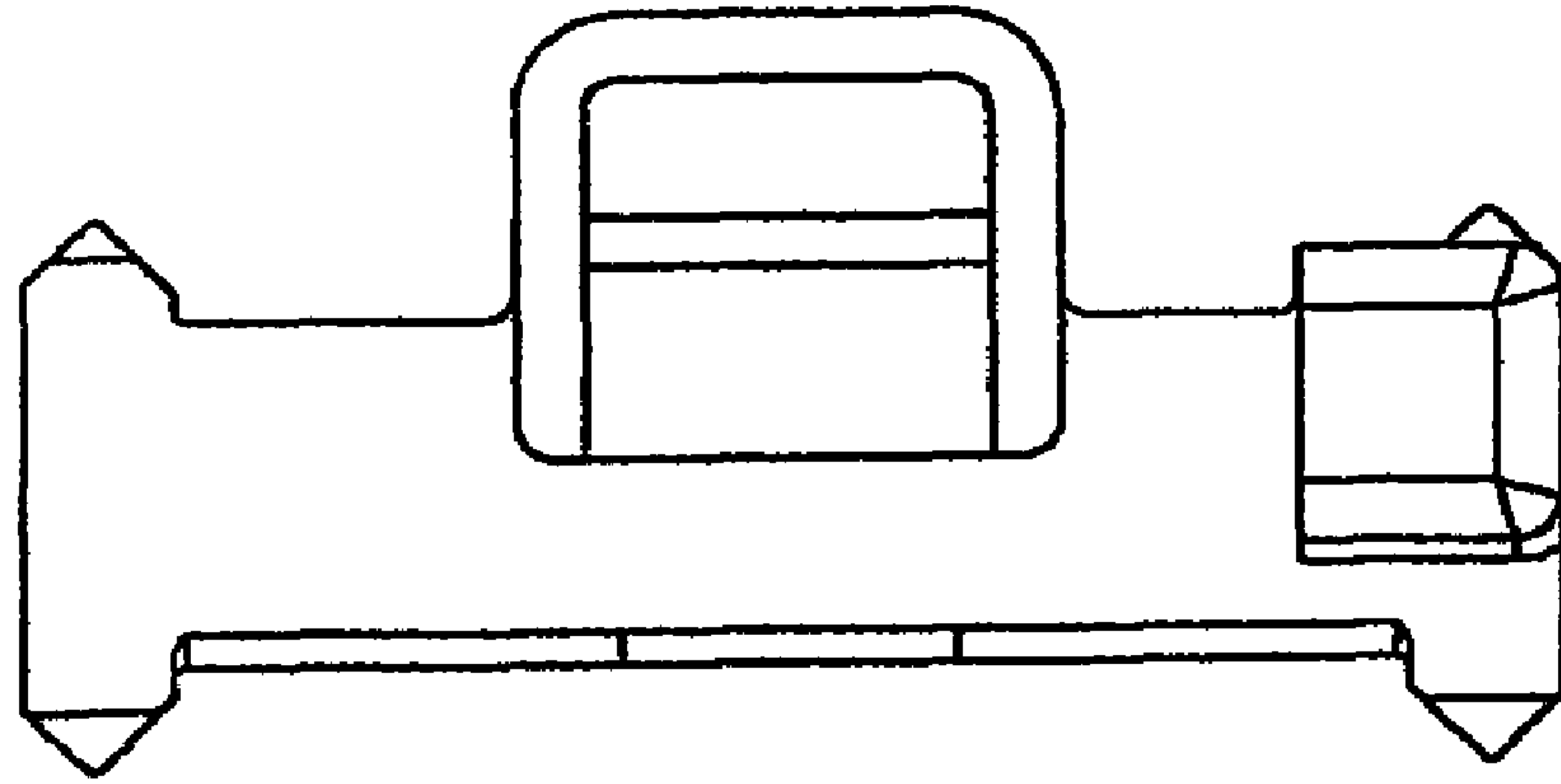


Fig 10

