

US00D597161S

(12) **United States Design Patent**
Blair et al.

(10) **Patent No.:** **US D597,161 S**
(45) **Date of Patent:** **** Jul. 28, 2009**

(54) **BILLIARD TABLE CORNER POCKET COMPONENT**

(75) Inventors: **Jesse Nicholas Stanford Blair**, Whitefish Bay, WI (US); **Adam W. Callif**, Chicago, IL (US); **Joseph M. MacCarthy**, Oakland, CA (US); **John Zebley**, Saratoga Springs, UT (US)

(73) Assignee: **Brunswick Bowling & Billiards Corporation**, Lake Forest, IL (US)

(**) Term: **14 Years**

(21) Appl. No.: **29/292,168**

(22) Filed: **Sep. 26, 2007**

(51) **LOC (9) Cl.** **06-06**

(52) **U.S. Cl.** **D21/783**

(58) **Field of Classification Search** D21/782-784;
D6/329, 360, 491-496, 422, 423, 428; 473/1,
473/4, 6, 7, 8, 9, 17, 19, 28, 31, 33; 273/236;
248/127, 158, 161, 188, 188.1, 188.8, 346.01,
248/346.02

See application file for complete search history.

(56) **References Cited**

U.S. PATENT DOCUMENTS

D5,322 S	10/1871	Griffith	
D6,469 S	3/1873	Collender	
156,389 A	10/1874	Stiles	
373,016 A *	11/1887	Daugherty	473/6
572,688 A	12/1896	Seifert	
1,509,144 A *	9/1924	Harmet	473/28
1,535,926 A *	4/1925	Leone	473/28
1,547,996 A *	7/1925	Drost et al.	473/28
1,568,454 A	1/1926	Hannon et al.	
D85,561 S	11/1931	Toce	
D85,572 S	11/1931	Burnstein	
2,008,613 A	7/1935	Hernes	
2,174,613 A	10/1939	Blaschke	
D145,787 S	10/1946	Collender	
D192,086 S	1/1962	Reineman et al.	
D208,257 S	8/1967	Kotler	

D215,220 S	9/1969	Eide	
3,881,727 A	5/1975	Olson	
4,010,949 A *	3/1977	Lee	473/7
D257,469 S	10/1980	Moore	
D257,684 S	12/1980	Moore	
4,474,374 A	10/1984	Lewis et al.	
4,909,507 A *	3/1990	McKnown	473/28
D332,293 S	1/1993	Powers	
D348,298 S	6/1994	Fitzhugh	
D348,916 S	7/1994	Powers	
D349,742 S *	8/1994	Tyne	D21/782
5,451,187 A *	9/1995	Brinkley	473/28
D408,487 S	4/1999	McCormick et al.	
D408,488 S	4/1999	McCormick et al.	
D418,185 S	12/1999	McCormick et al.	
6,102,808 A	8/2000	Wong	
6,149,530 A	11/2000	Shih	
D443,012 S	5/2001	Baker	
D443,325 S	6/2001	Baker	
D473,278 S	4/2003	McCormick et al.	
D489,784 S	5/2004	Foley	

(Continued)

OTHER PUBLICATIONS

“Gold Crown,” Brunswick Billiards, Inc., 1 page, 2004.

(Continued)

Primary Examiner—Prabhakar Deshmukh

(74) *Attorney, Agent, or Firm*—Brinks Hofer Gilson & Lione

(57) **CLAIM**

The ornamental design for a billiard table corner pocket component, as shown and described.

DESCRIPTION

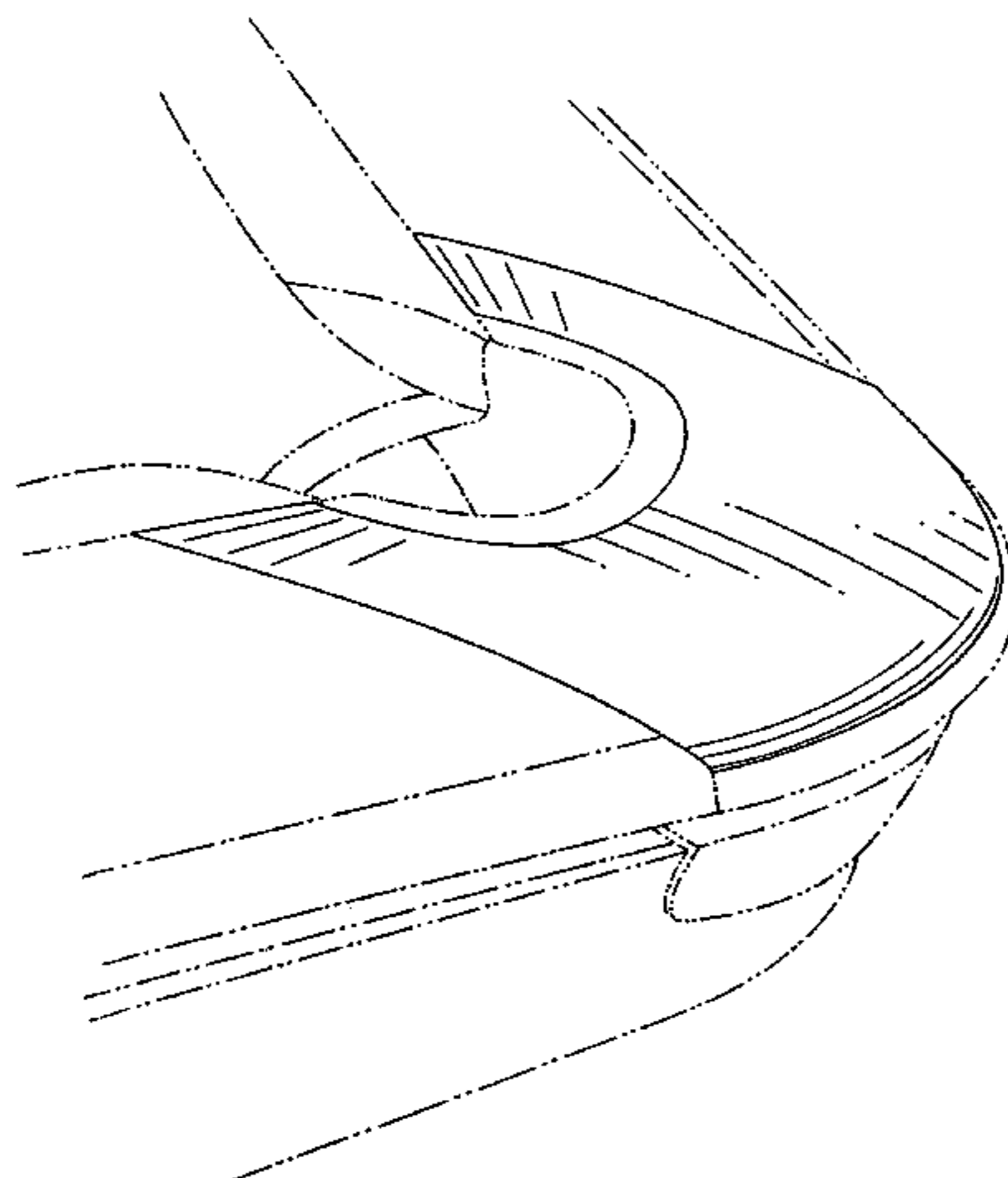
FIG. 1 is a perspective view of a billiard table corner pocket component of our new design.

FIG. 2 is a top view thereof; and,

FIG. 3 is a side view thereof.

The broken lines showing environment are for illustrative purpose only and form no part of the claimed design.

1 Claim, 2 Drawing Sheets



US D597,161 S

Page 2

U.S. PATENT DOCUMENTS

D491,245 S 6/2004 Newhouse
D494,241 S 8/2004 Moore, Sr.
D494,242 S 8/2004 McCormick
D495,766 S 9/2004 Moore, Sr.
D500,543 S 1/2005 Stein
6,866,590 B2* 3/2005 Tucker 473/2
D505,173 S 5/2005 Foley
D507,322 S 7/2005 Hobbs et al.
D510,824 S 10/2005 Moore, Sr.
2002/0074299 A1* 6/2002 Zummo 211/68
2003/0134683 A1 7/2003 Shih
2004/0029644 A1 2/2004 Shih
2004/0224780 A1 11/2004 Nagle
2005/0221902 A1 10/2005 Chen

OTHER PUBLICATIONS

“Gold Crown IV Features,” Brunswick Billiards, Inc., http://www.brunswickbilliards.com/brunswick_collection/tables/competition/gold_crown_iv_features.html, 1 page, 2007.
“Gold Crown IV,” Brunswick Billiards, Inc., http://www.brunswickbilliards.com/brunswick_collection/tables/competition/gold_crown_iv.html, 1 page, 2007.

“Gold Crown IV,” Brunswick Billiards, Inc., http://www.brunswickbilliards.com/brunswick_collection/tables/competition/gold_crown_iv_room.html, 1 page, 2007.
“Manchester II, Camden II, Pocket Billiard Table Installation Manual,” Brunswick Billiards, Inc., 11 page, 2000.
Office Action directed against U.S. Appl. No. 29/292,165, 10 pages, Feb. 23, 2009.
Office Action directed against U.S. Appl. No. 29/292,166, 6 pages, Feb. 12, 2009.
Office Action directed against U.S. Appl. No. 29/292,167, 7 pages, Feb. 13, 2009.
Office Action directed against U.S. Appl. No. 29/292,164, 9 pages, Feb. 13, 2009.
Notice of Allowance for U.S. Appl. No. 29/292,169, 6 pages, Feb. 17, 2009.
Office Action directed against U.S. Appl. No. 29/292,169, 6 pages, Apr. 20, 2009.
“Gold Crown IV,” Brunswick Billiards, Inc., http://www.brunswickbilliards.com/brunswick_collection/tables/competition/gold_crown_iv_room.html, 1 page, 2007.
“Manchester II, Camden II, Pocket Billiard Table Installation Manual,” Brunswick Billiards, Inc., 11 page, 2000.

* cited by examiner

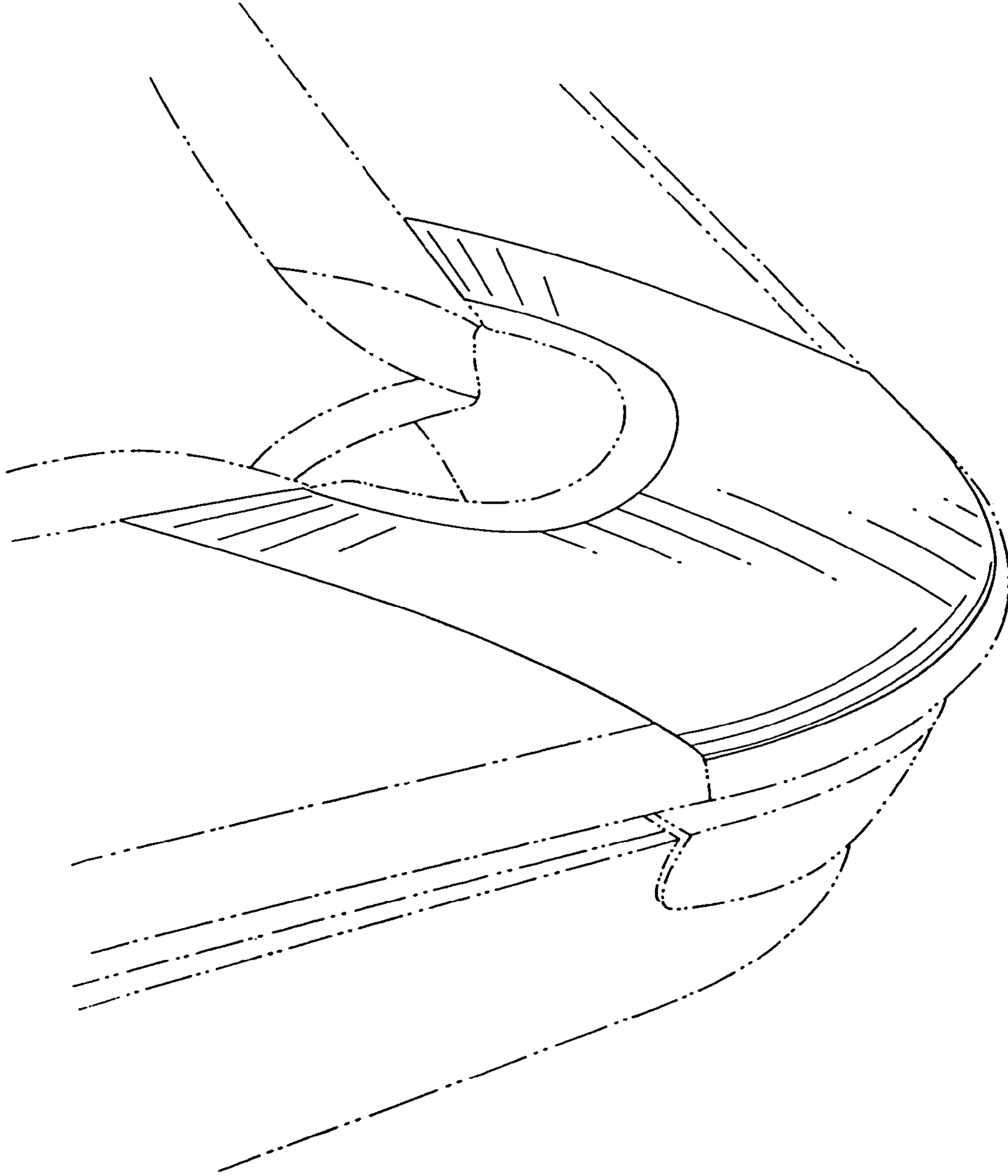


Fig. 1

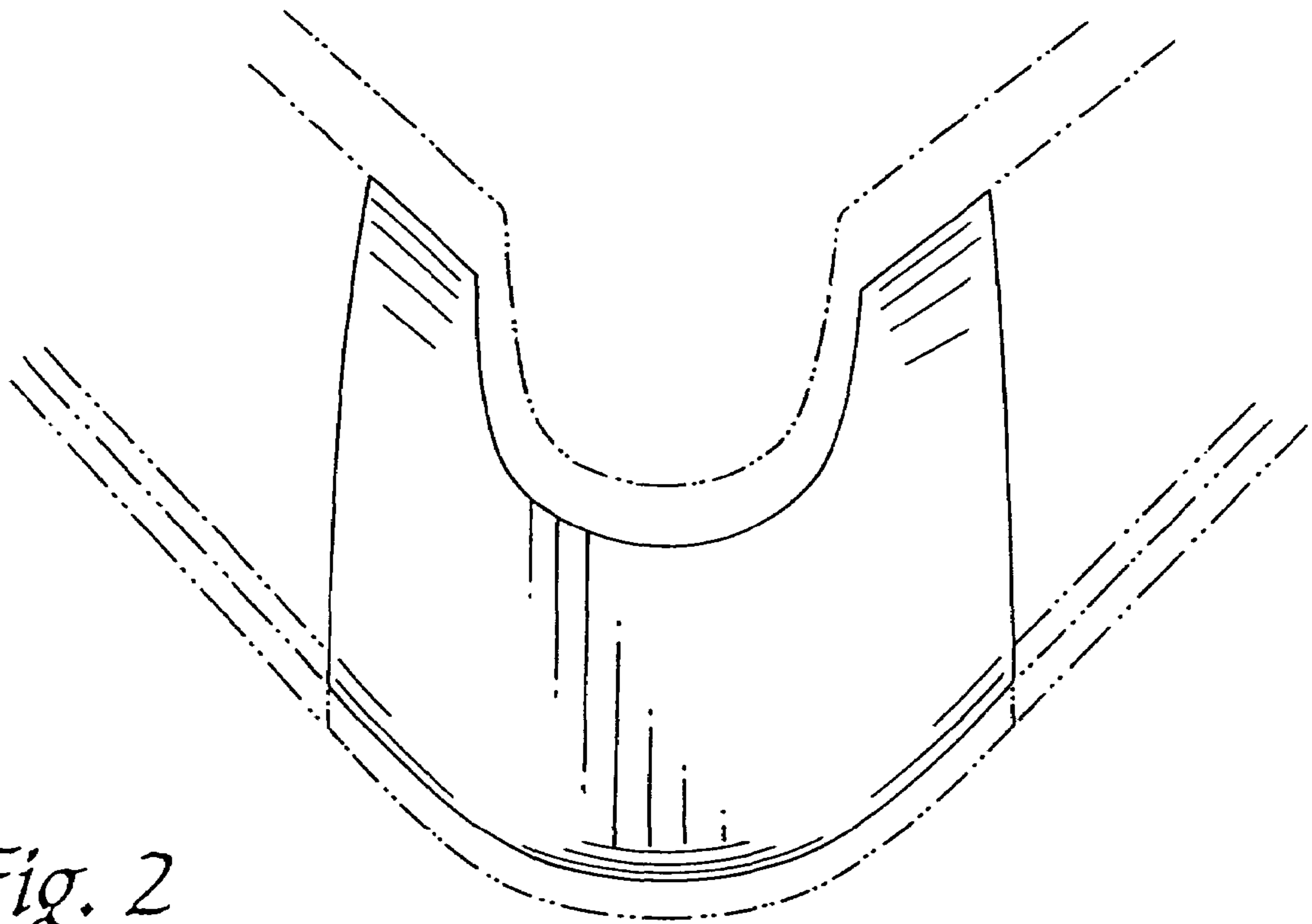


Fig. 2

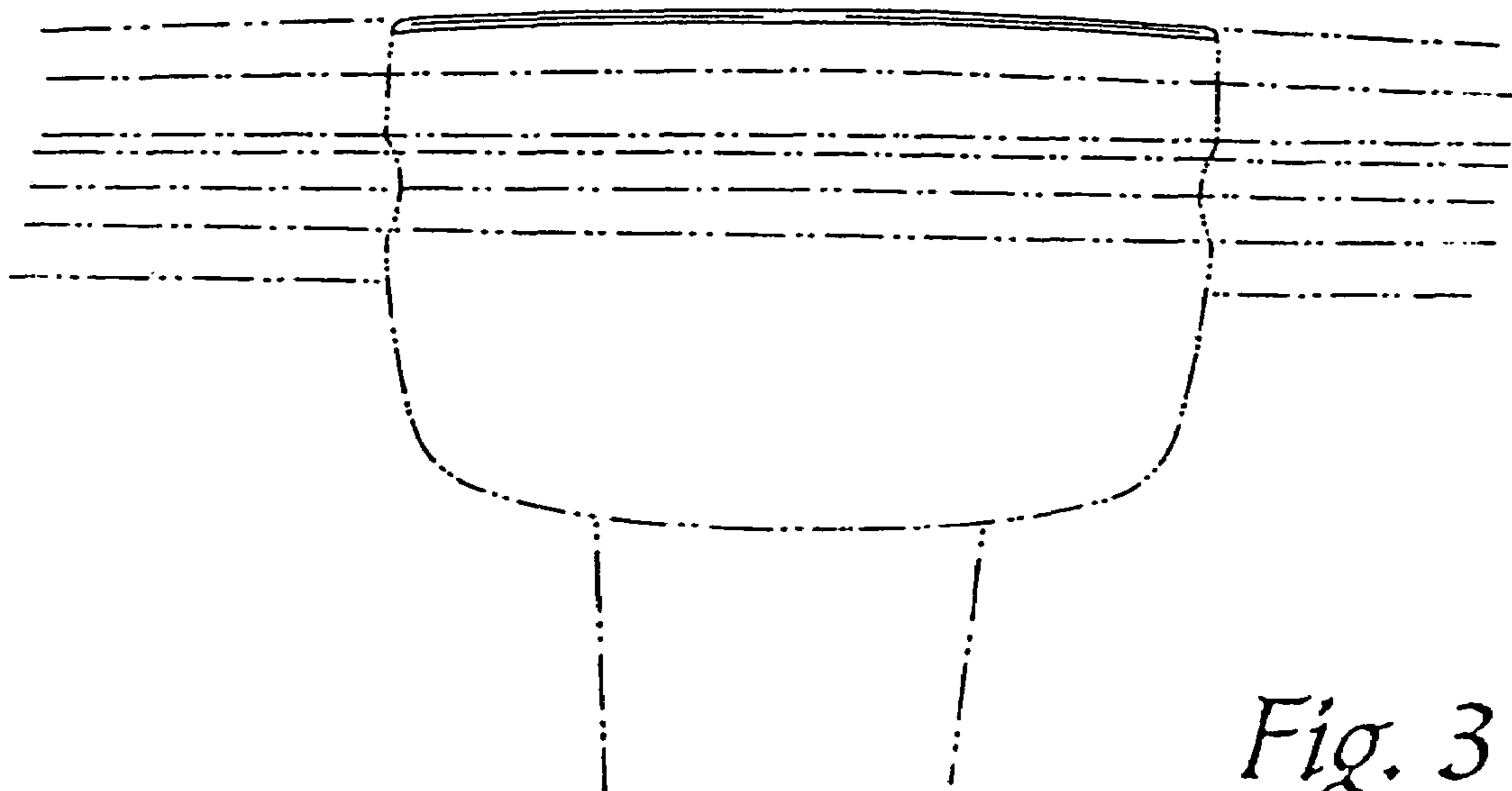


Fig. 3