



US00D597155S

(12) **United States Design Patent**
Stemle

(10) **Patent No.:** **US D597,155 S**
(45) **Date of Patent:** **** Jul. 28, 2009**

(54) **PITCHER'S THROWING TARGET**
(76) Inventor: **Stephen Joseph Stemle**, 927 St. Johns Church Rd. NE., Lanesville, IN (US) 47136
(**) Term: **14 Years**
(21) Appl. No.: **29/312,754**
(22) Filed: **Nov. 12, 2008**
(51) **LOC (9) Cl.** **21-02**
(52) **U.S. Cl.** **D21/699; D21/780**
(58) **Field of Classification Search** D21/302, D21/305-307, 334, 355, 356, 397, 698, 699, D21/705, 780; D6/582, 583, 588, 592; D19/59, D19/62; 473/415-504; 273/348-410
See application file for complete search history.

5,064,194 A 11/1991 Bixler et al.
D330,920 S 11/1992 Schaefer et al.
D331,426 S 12/1992 Riffle et al.
D350,569 S 9/1994 Boteler
5,348,291 A 9/1994 Scully
5,433,434 A 7/1995 Helmsie
5,439,211 A 8/1995 Drabowsky
D375,528 S 11/1996 Raines et al.
5,573,240 A 11/1996 Humboldt
5,746,671 A * 5/1998 Ritchie 473/454
5,803,842 A 9/1998 Ross
D401,308 S * 11/1998 D'Emidio D21/303
6,155,936 A 12/2000 Dorr
6,878,078 B2 4/2005 Swanson
7,179,179 B2 2/2007 McDaniel
D540,406 S * 4/2007 Edmondson, Jr. D21/699
2002/0123397 A1* 9/2002 Brasuell 473/421
2008/0312011 A1* 12/2008 Edmondson 473/456

* cited by examiner

Primary Examiner—Catherine Tuttle
(74) *Attorney, Agent, or Firm*—Scott D. Compton

(56) **References Cited**

U.S. PATENT DOCUMENTS

1,592,005 A 7/1926 Rovane
1,652,062 A 12/1927 Stauffer
2,059,365 A 11/1936 King
2,254,986 A 9/1941 Ziel
2,873,969 A 2/1959 Ziel
3,583,703 A 6/1971 Brown
3,810,616 A 5/1974 Murphy
3,997,158 A 12/1976 Britton
4,254,952 A 3/1981 Playter, Jr.
4,497,485 A 2/1985 Macosko
4,563,005 A 1/1986 Hand et al.
4,629,188 A 12/1986 Mahieu
4,643,423 A 2/1987 Wright
4,781,376 A 11/1988 Barnes, Sr.
4,872,674 A 10/1989 Deal
4,930,774 A 6/1990 Butcher
D311,031 S * 10/1990 Poitras D21/780
5,046,729 A 9/1991 Yancey

(57) **CLAIM**

The ornamental design for a pitcher's throwing target, as shown and described.

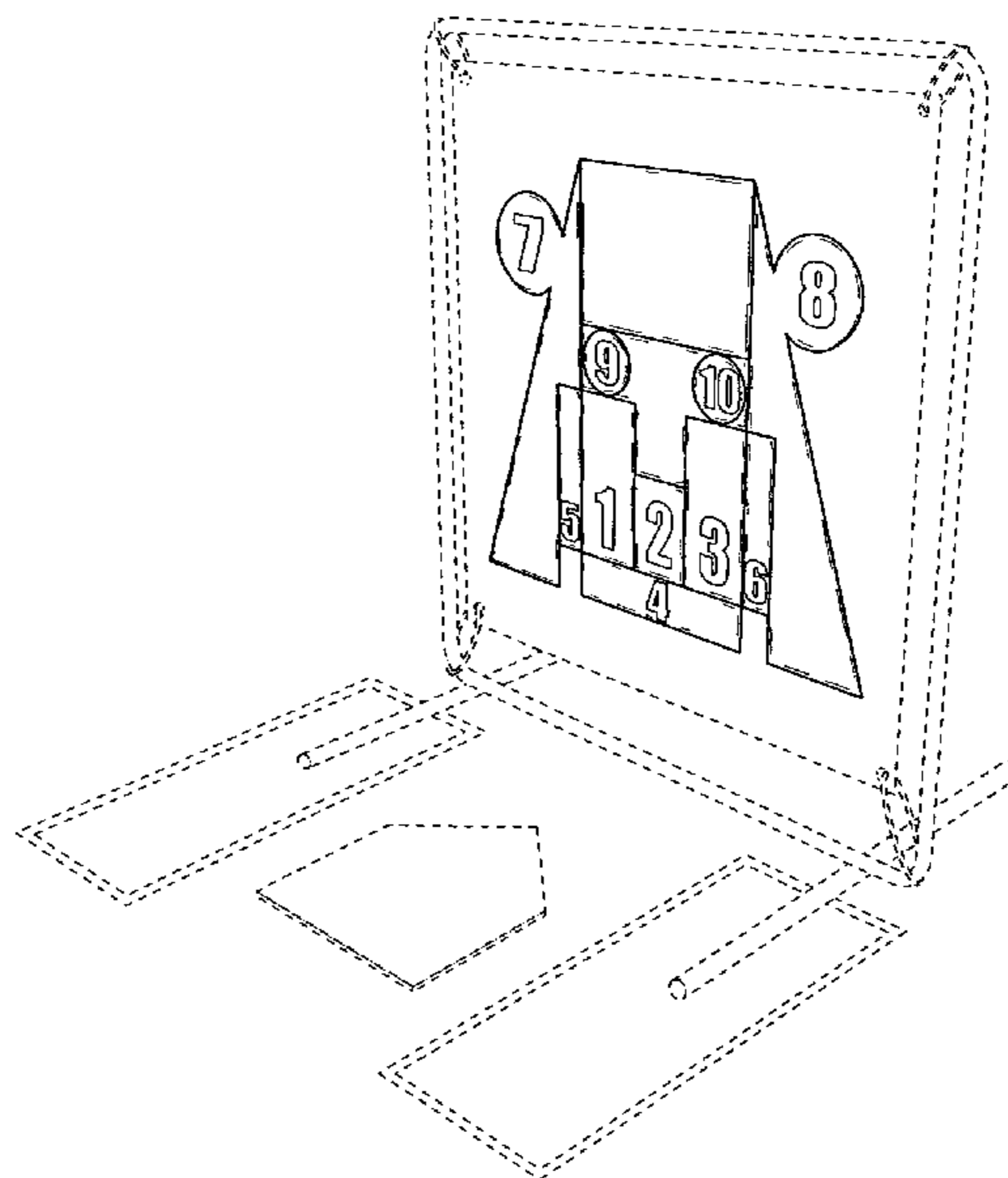
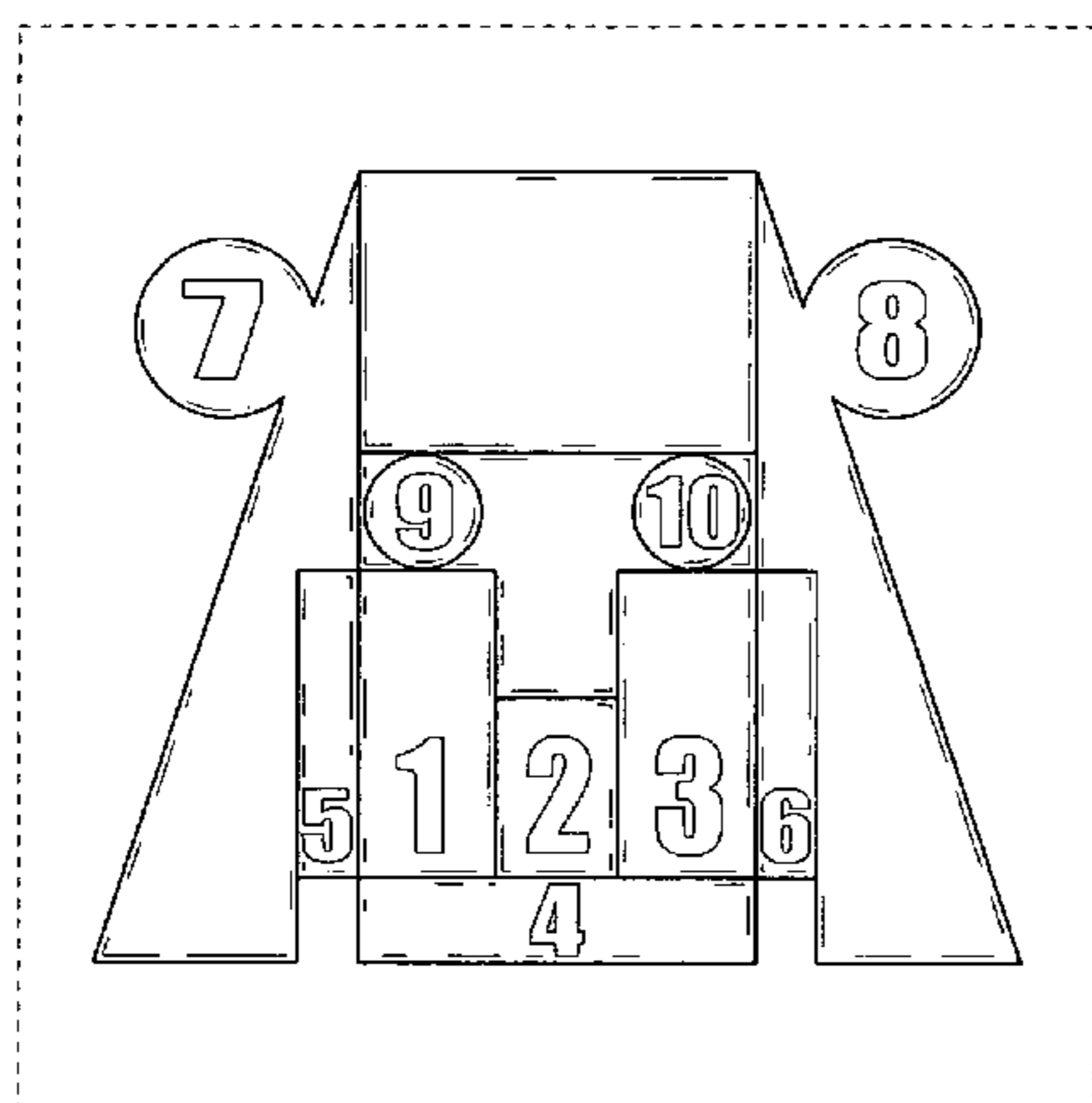
DESCRIPTION

FIG. 1 is a front view of a pitcher's throwing target showing my new design in association with a medium; showing my new design; and,

FIG. 2 is a top front perspective view showing the pitchers' target in association with additional environmental structure.

The broken lines showing the medium in FIG. 1 and other environmental structure in FIG. 2 are for illustrative purposes only and form no part of the claimed design.

1 Claim, 1 Drawing Sheet



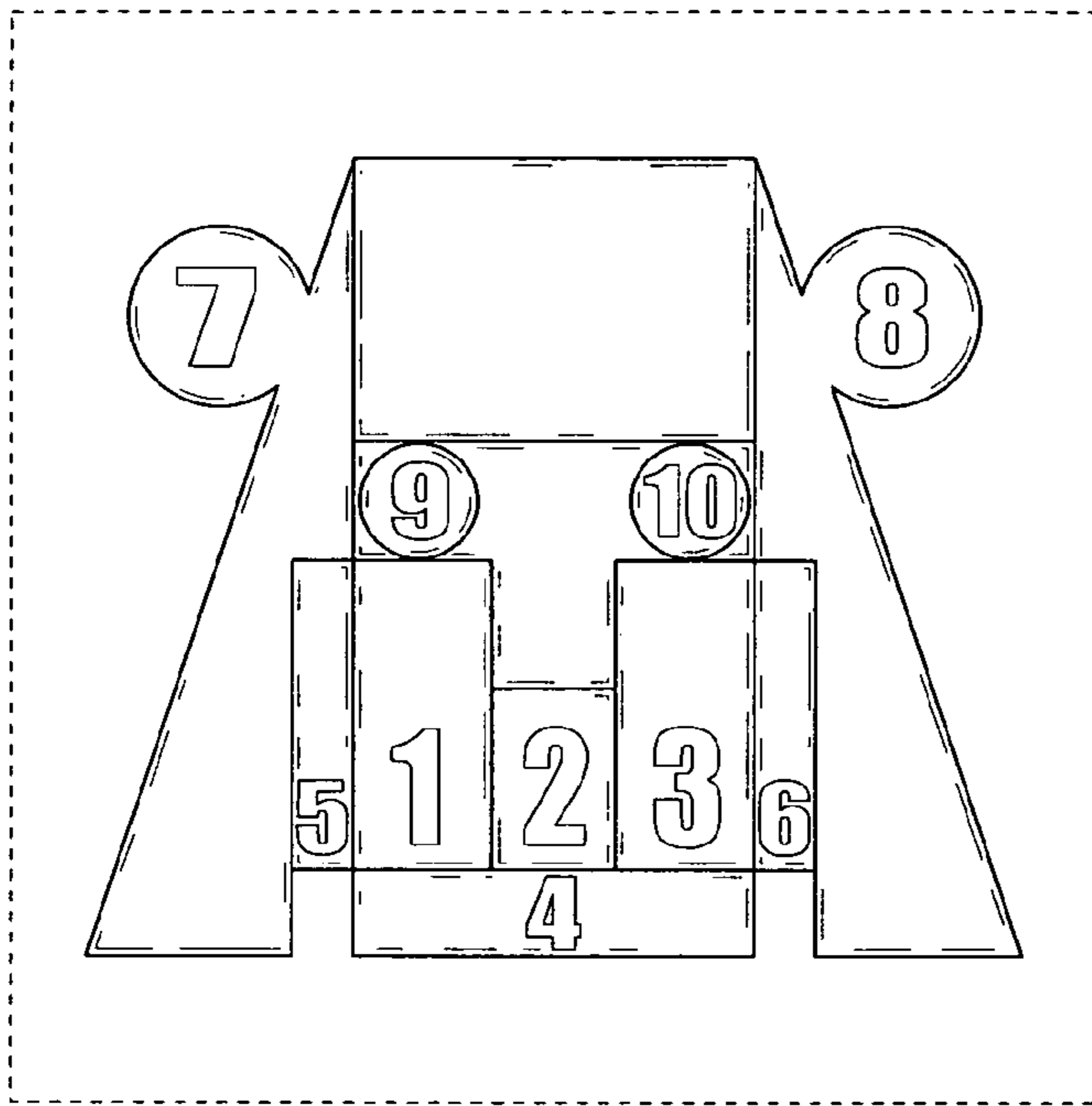


FIG. 1

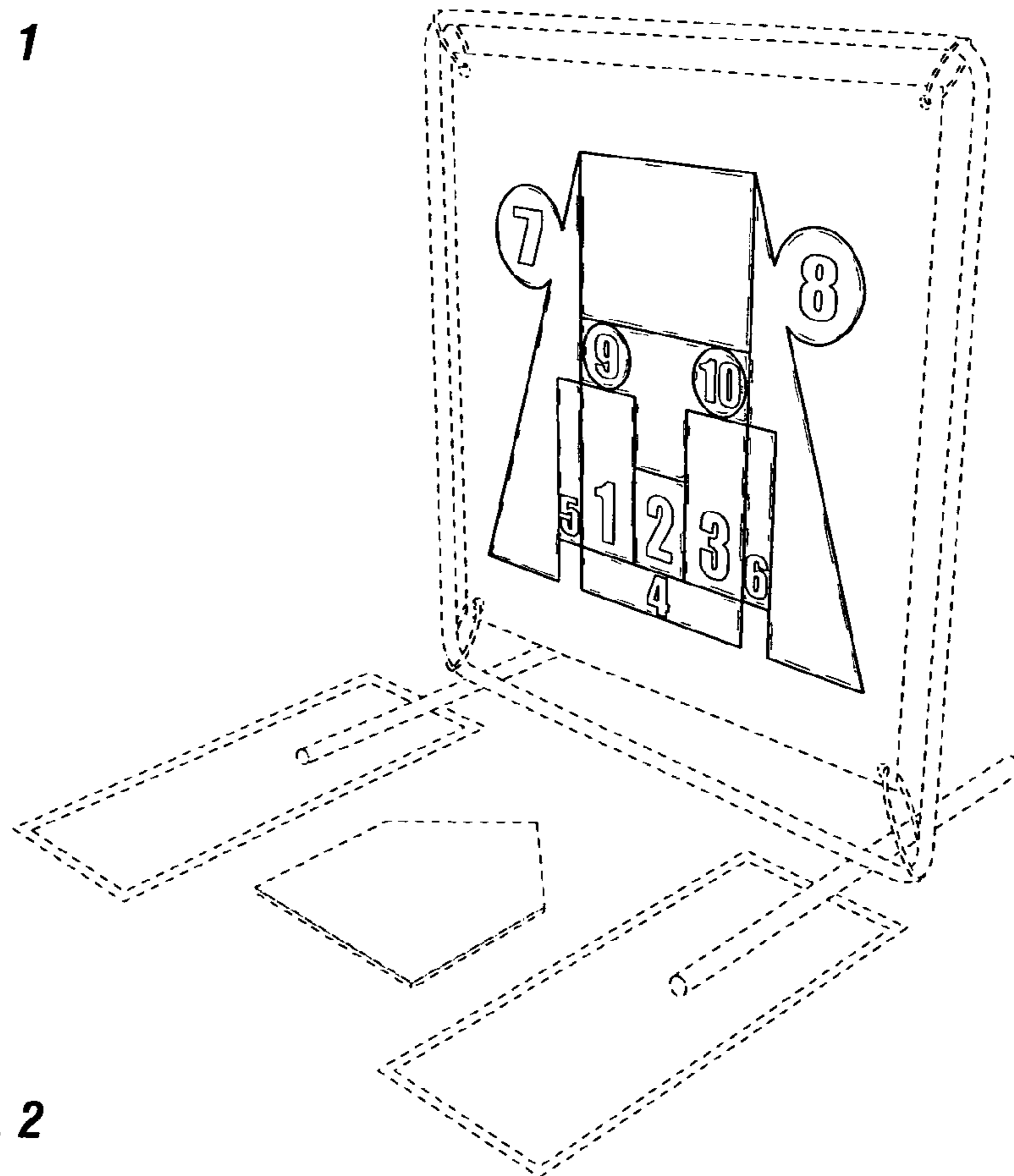


FIG. 2