



US00D597153S

(12) **United States Design Patent**
Friedman et al.

(10) **Patent No.:** **US D597,153 S**
(45) **Date of Patent:** **** Jul. 28, 2009**

(54) **PUSH-UP EXERCISE DEVICE**
(75) Inventors: **Mark B. Friedman**, Simi Valley, CA
(US); **Alden M. Mills**, Kentfield, CA
(US); **John Holland**, Sausalito, CA
(US); **Kevan Hollenback**, Oakland, CA
(US)
(73) Assignee: **Perfect Pushup, LLC**, Mill Valley, CA
(US)

5,632,707 A 5/1997 Daniel et al.
6,471,623 B1 * 10/2002 Lin 482/141
D479,289 S * 9/2003 Turner D21/662
D576,693 S * 9/2008 Khubani D21/686
D579,503 S * 10/2008 Hauser et al. D21/662
7,468,025 B2 * 12/2008 Hauser et al. 482/141
D593,168 S * 5/2009 Khubani D21/662
2006/0014615 A1 1/2006 Godbold
2006/0035771 A1 2/2006 Gant

(**) Term: **14 Years**
(21) Appl. No.: **29/326,490**
(22) Filed: **Oct. 20, 2008**

* cited by examiner
Primary Examiner—Philip S Hyder
(74) *Attorney, Agent, or Firm*—Charter IP, LLC; Matthew J. Lattig

(51) **LOC (9) Cl.** **21-02**
(52) **U.S. Cl.** **D21/662**
(58) **Field of Classification Search** D21/662,
D21/663, 666, 668, 669, 670, 694, 696, 684,
D21/686; 482/1, 3, 4, 51, 52, 54, 91, 92,
482/94, 95, 141, 148
See application file for complete search history.

(57) **CLAIM**

The ornamental design for a push-up exercise device, as shown and described.

(56) **References Cited**

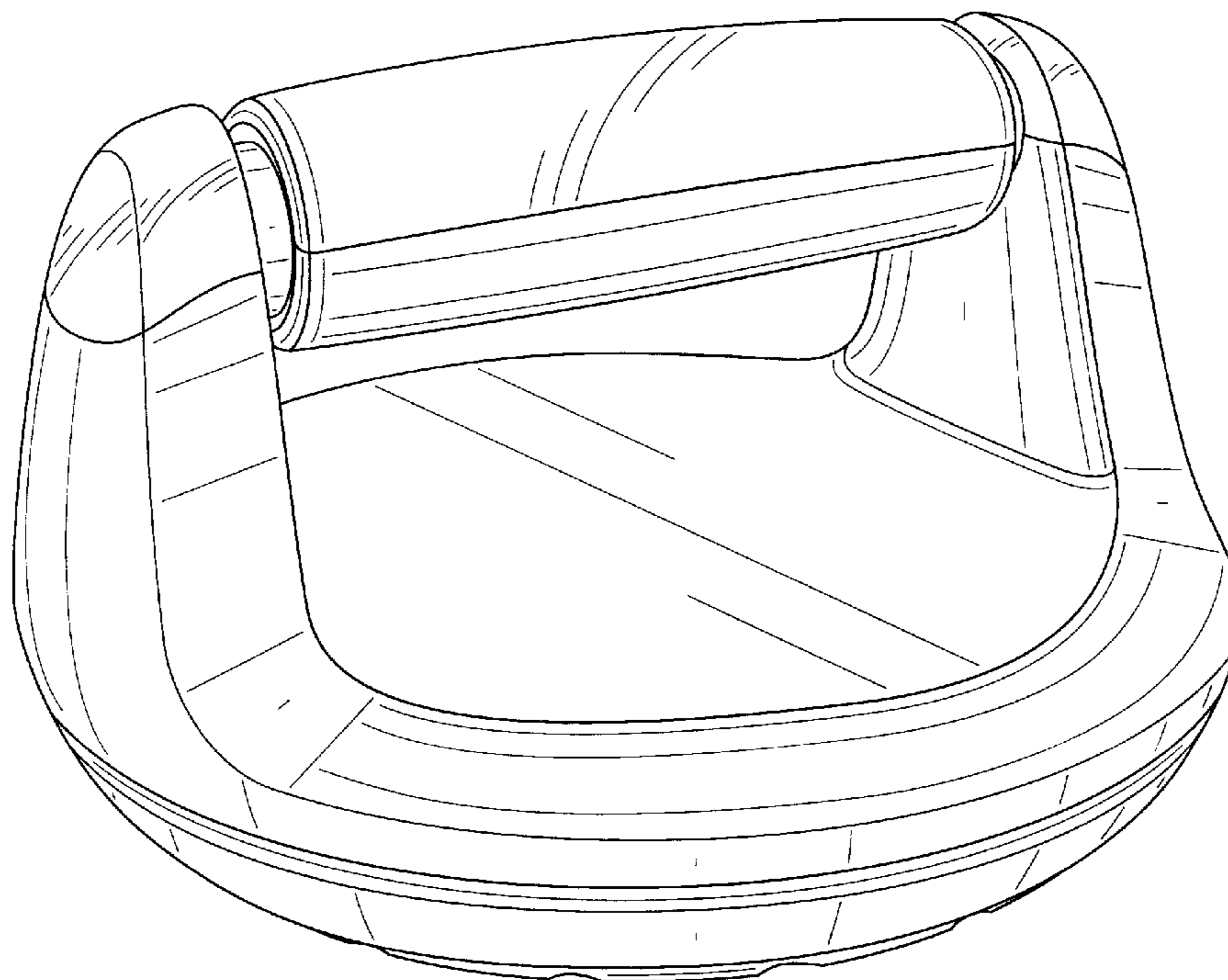
DESCRIPTION

FIG. 1 is a perspective view of a push-up exercise device showing our new design.
FIG. 2 is a front elevational view thereof.
FIG. 3 is a rear elevational view thereof.
FIG. 4 is a left side elevational view thereof.
FIG. 5 is a right side elevational view thereof.
FIG. 6 is a top plan view thereof; and,
FIG. 7 is a bottom plan view thereof.

U.S. PATENT DOCUMENTS

3,115,338 A 12/1963 Acs et al.
D203,279 S 12/1965 Spackman, Jr. et al.
4,351,525 A * 9/1982 Rozenblad 482/141
4,768,778 A * 9/1988 Thomas, Jr. 482/141
5,358,463 A 10/1994 Fuentes
D364,902 S * 12/1995 Fleming D21/686

1 Claim, 5 Drawing Sheets



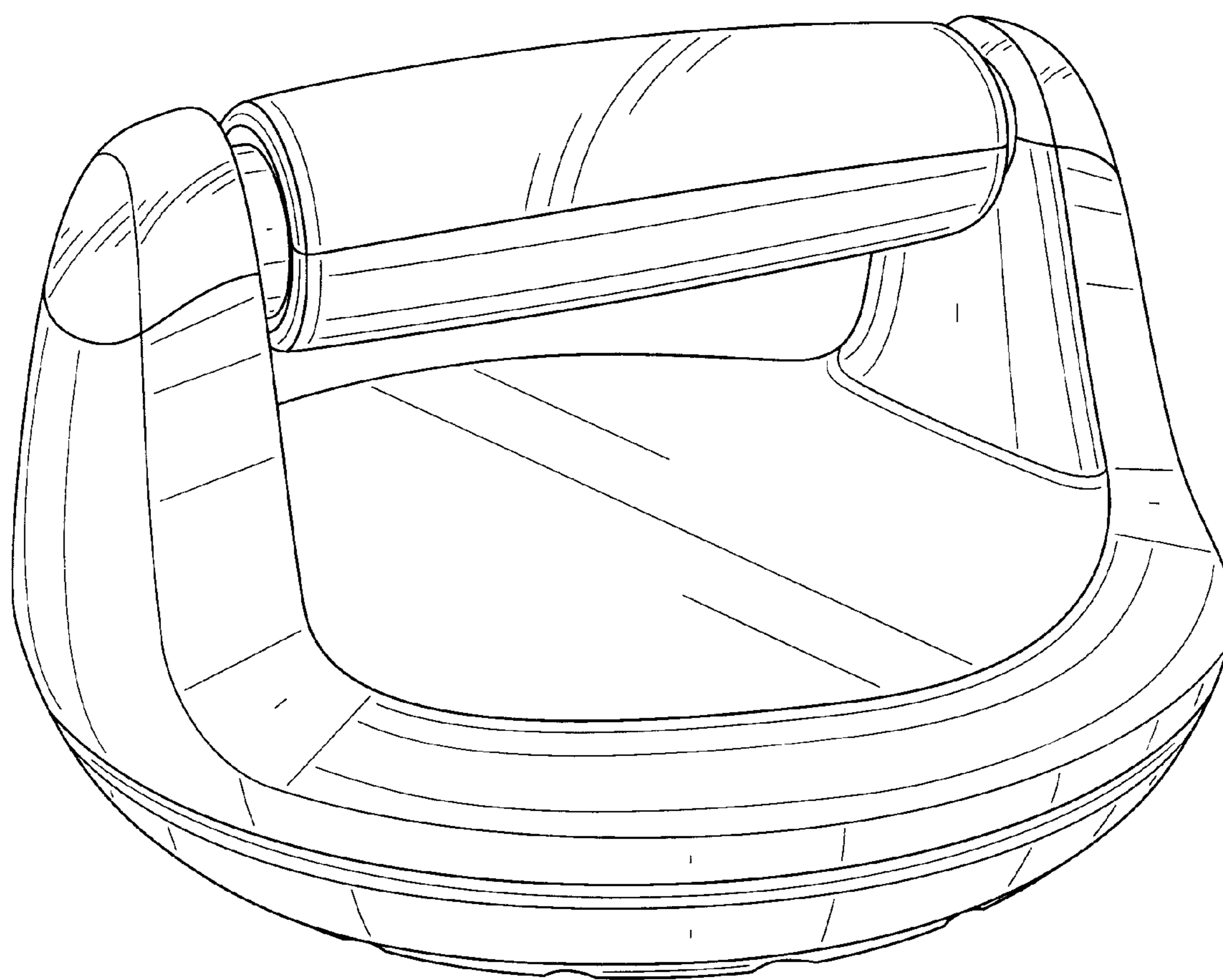


FIG. 1

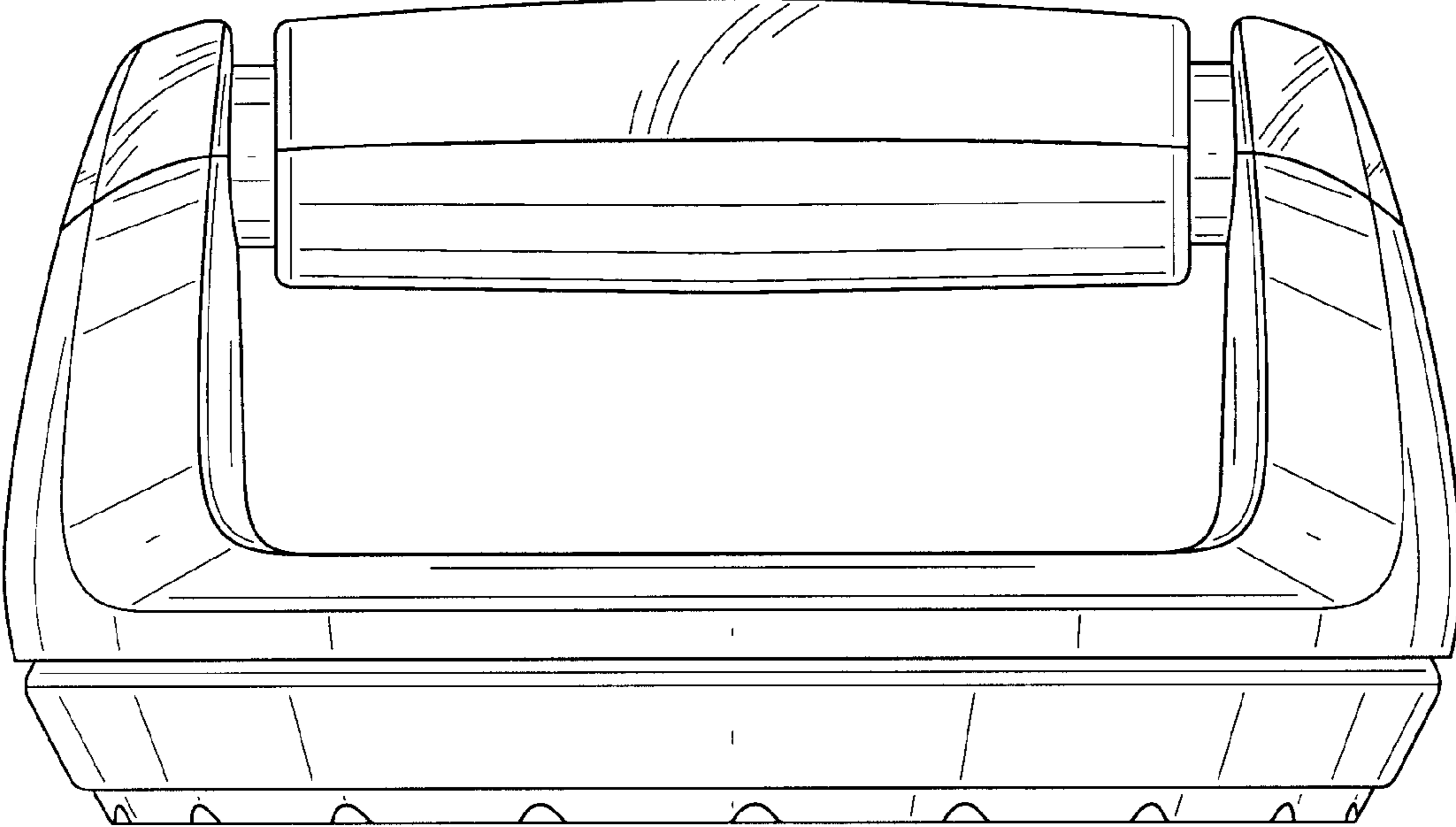


FIG. 2

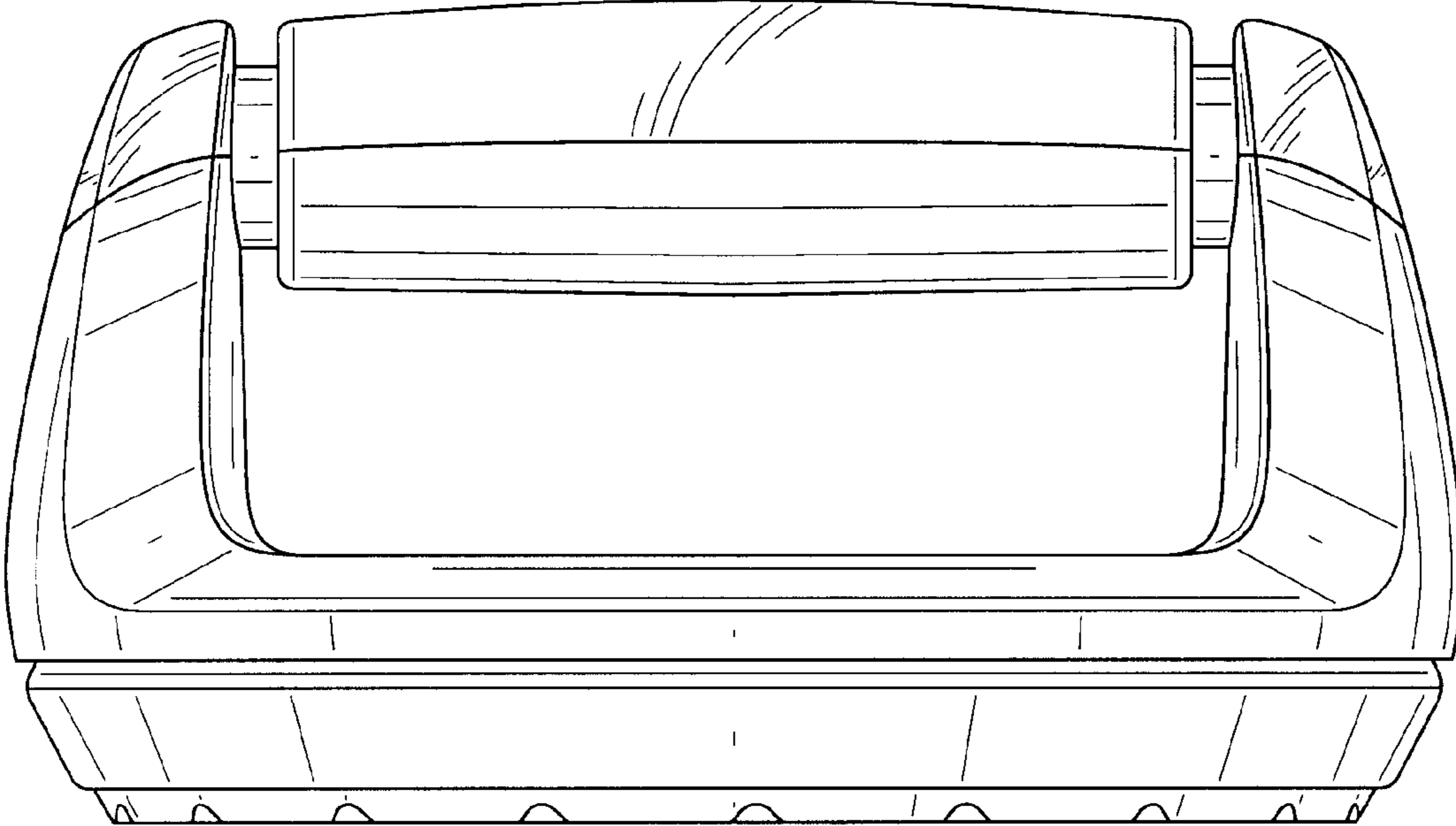


FIG. 3

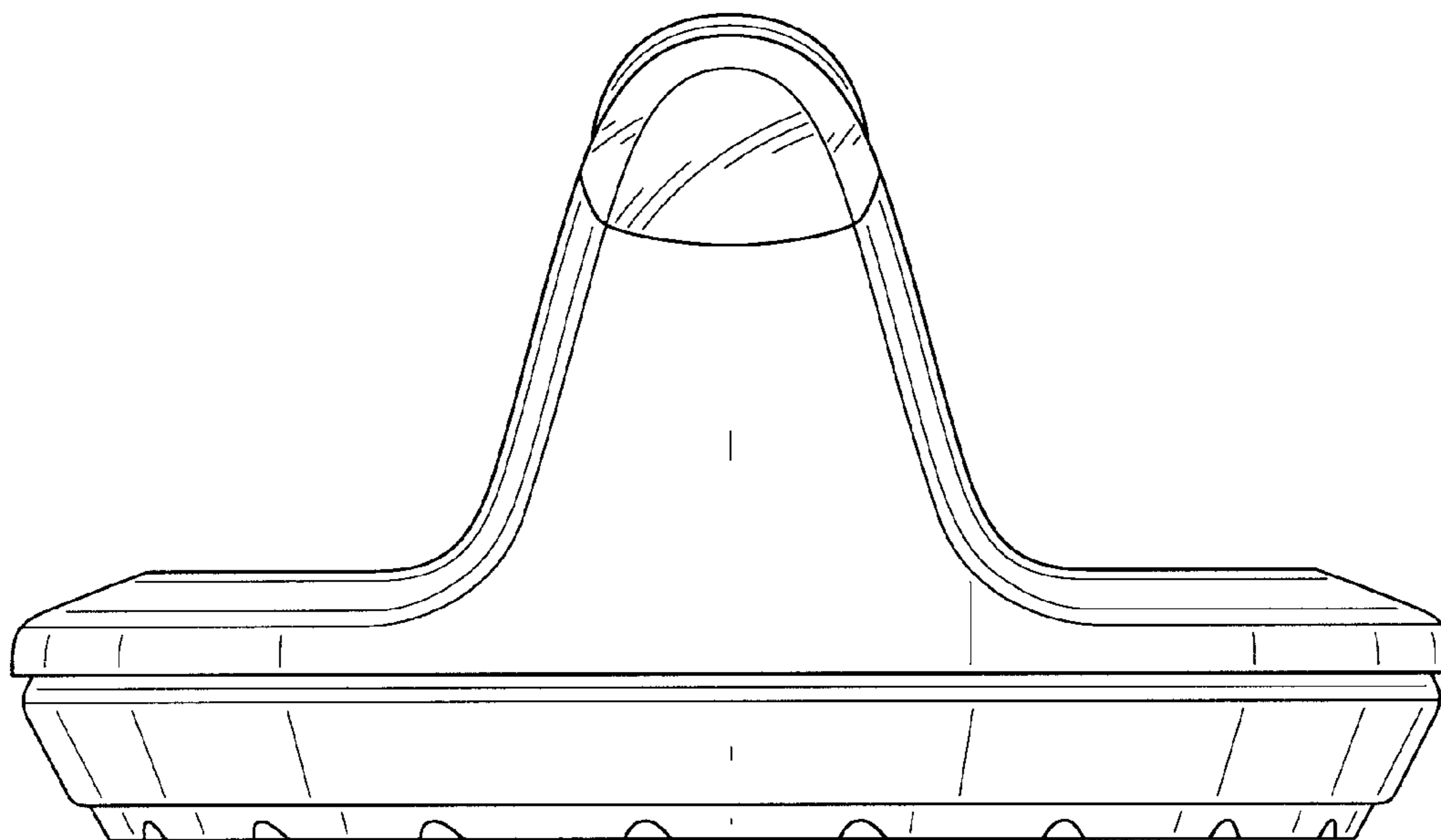


FIG. 4

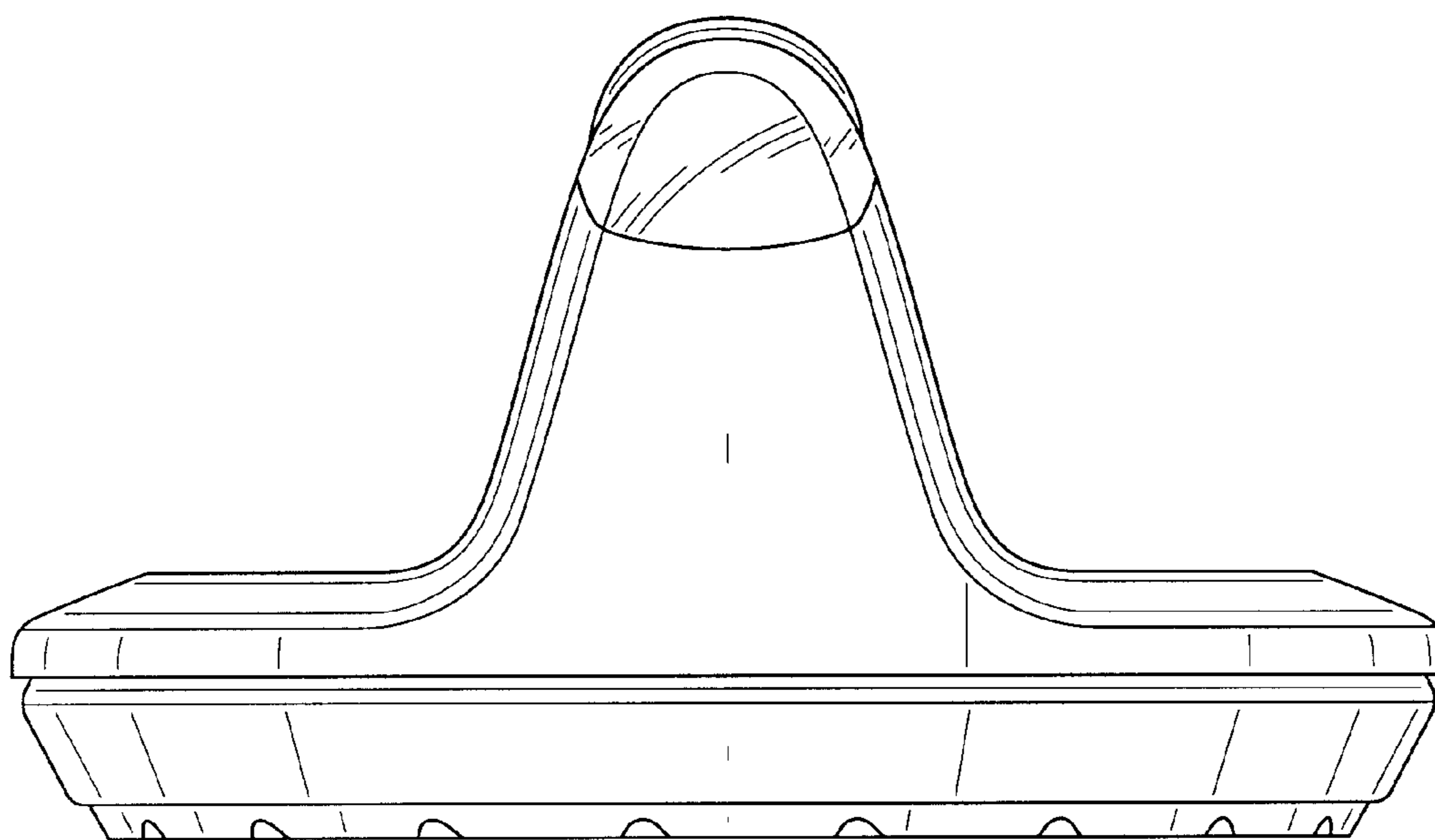


FIG. 5

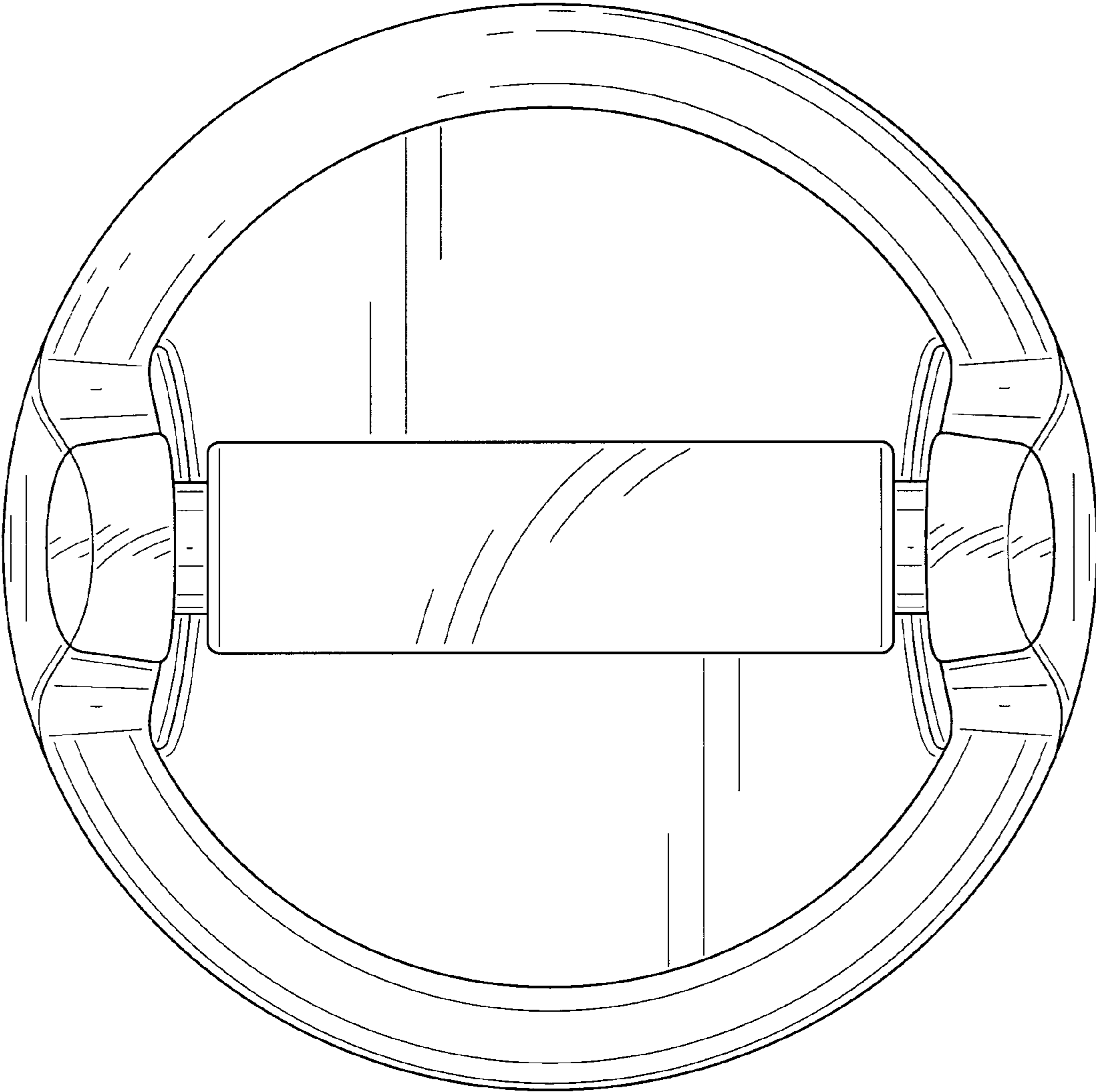


FIG. 6

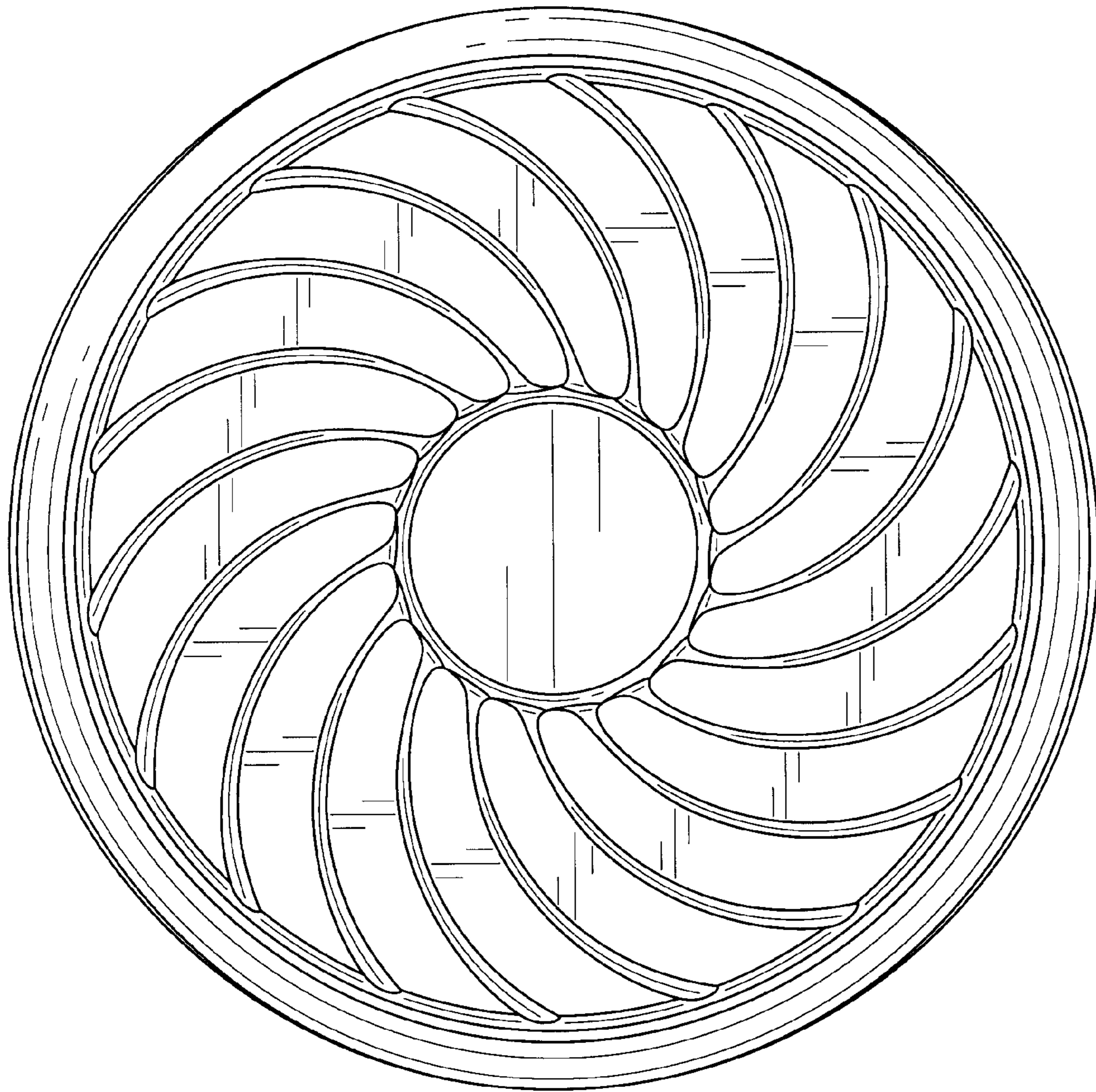


FIG. 7