



US00D597151S

(12) **United States Design Patent**
Ishikawa

(10) **Patent No.:** **US D597,151 S**
(45) **Date of Patent:** **** Jul. 28, 2009**

(54) **CHASSIS FOR RADIO CONTROL TOY VEHICLE**

(75) Inventor: **Hiroyoshi Ishikawa, Atsugi (JP)**

(73) Assignee: **Kyosho Corporation, Tokyo (JP)**

(**) Term: **14 Years**

(21) Appl. No.: **29/306,180**

(22) Filed: **Apr. 3, 2008**

(30) **Foreign Application Priority Data**

Oct. 4, 2007 (JP) 2007-027116

(51) **LOC (9) Cl.** **21-01**

(52) **U.S. Cl.** **D21/562**

(58) **Field of Classification Search** D21/548–551,
D21/561–563; 446/427, 454–457, 465–470,
446/431, 433, 437, 444–447; 29/273; D12/86,
D12/88, 93, 159; 463/6, 39; 180/65.1, 65.2,
180/65.3

See application file for complete search history.

(56) **References Cited**

U.S. PATENT DOCUMENTS

D309,930 S * 8/1990 Asaeda D21/548
5,019,009 A * 5/1991 Chao-Chin et al. 446/437
D332,978 S * 2/1993 Tsuchiya D21/562
D332,979 S * 2/1993 Tsuchiya D21/562
D403,023 S * 12/1998 Araki D21/562
6,394,878 B1 * 5/2002 Wang 446/469

D521,572 S * 5/2006 Yuen D21/562
D532,835 S * 11/2006 Suimon et al. D21/562
D534,593 S * 1/2007 Yuen D21/562
D549,787 S * 8/2007 Chen D21/548
D550,311 S * 9/2007 Chen D21/548
D577,083 S * 9/2008 Nakayama D21/562
2004/0092206 A1 * 5/2004 Lynders et al. 446/427
2006/0292966 A1 * 12/2006 Byers et al. 446/431

* cited by examiner

Primary Examiner—Holly H Baynham

Assistant Examiner—Cynthia M Chin

(74) *Attorney, Agent, or Firm*—Nixon & Vanderhye P.C.

(57) **CLAIM**

The ornamental design for a “chassis for radio control toy vehicle,” as shown and described.

DESCRIPTION

FIG. 1 is a perspective view of a chassis for radio control toy vehicle which embodies my new and original design therefor;

FIG. 2 is a front elevation view of thereof;

FIG. 3 is a rear elevation view thereof;

FIG. 4 is top plan view thereof;

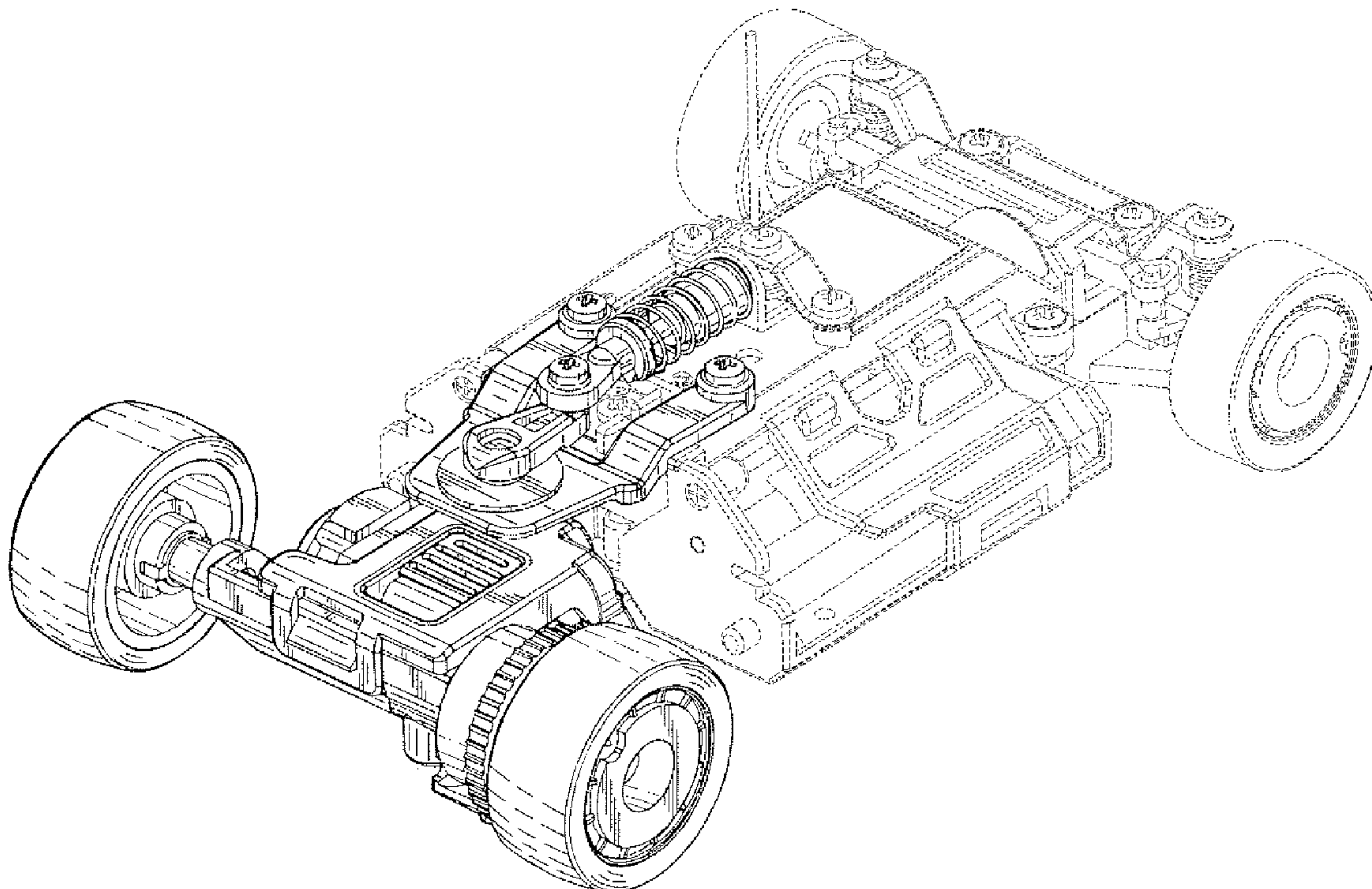
FIG. 5 is a bottom plan view thereof;

FIG. 6 is a left side elevation view thereof; and,

FIG. 7 is a right side elevation view thereof.

The dashed lines in FIGS. 1–7 represent structural environment which forms no part of the claimed design.

1 Claim, 4 Drawing Sheets



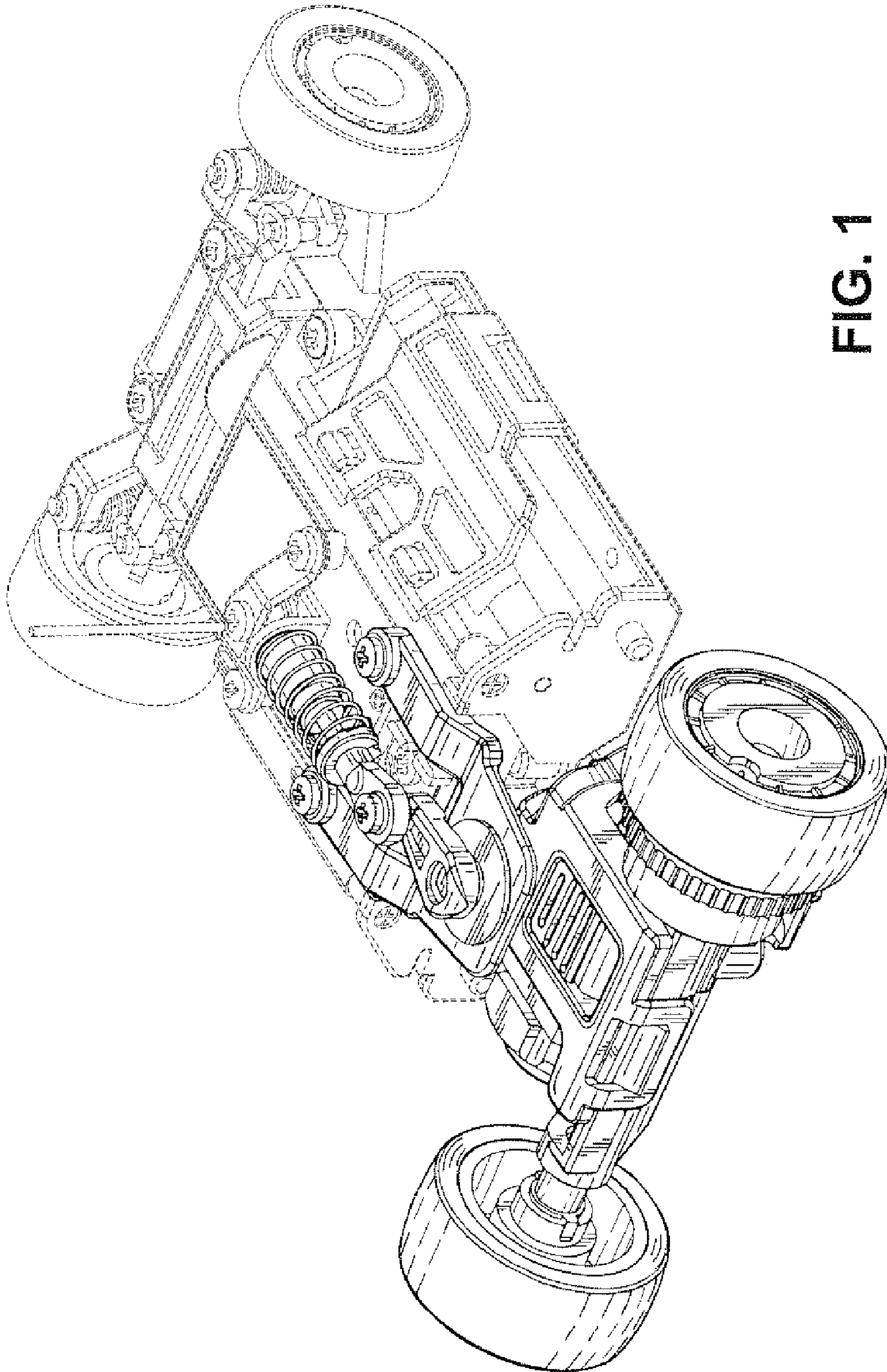


FIG. 1

FIG. 2

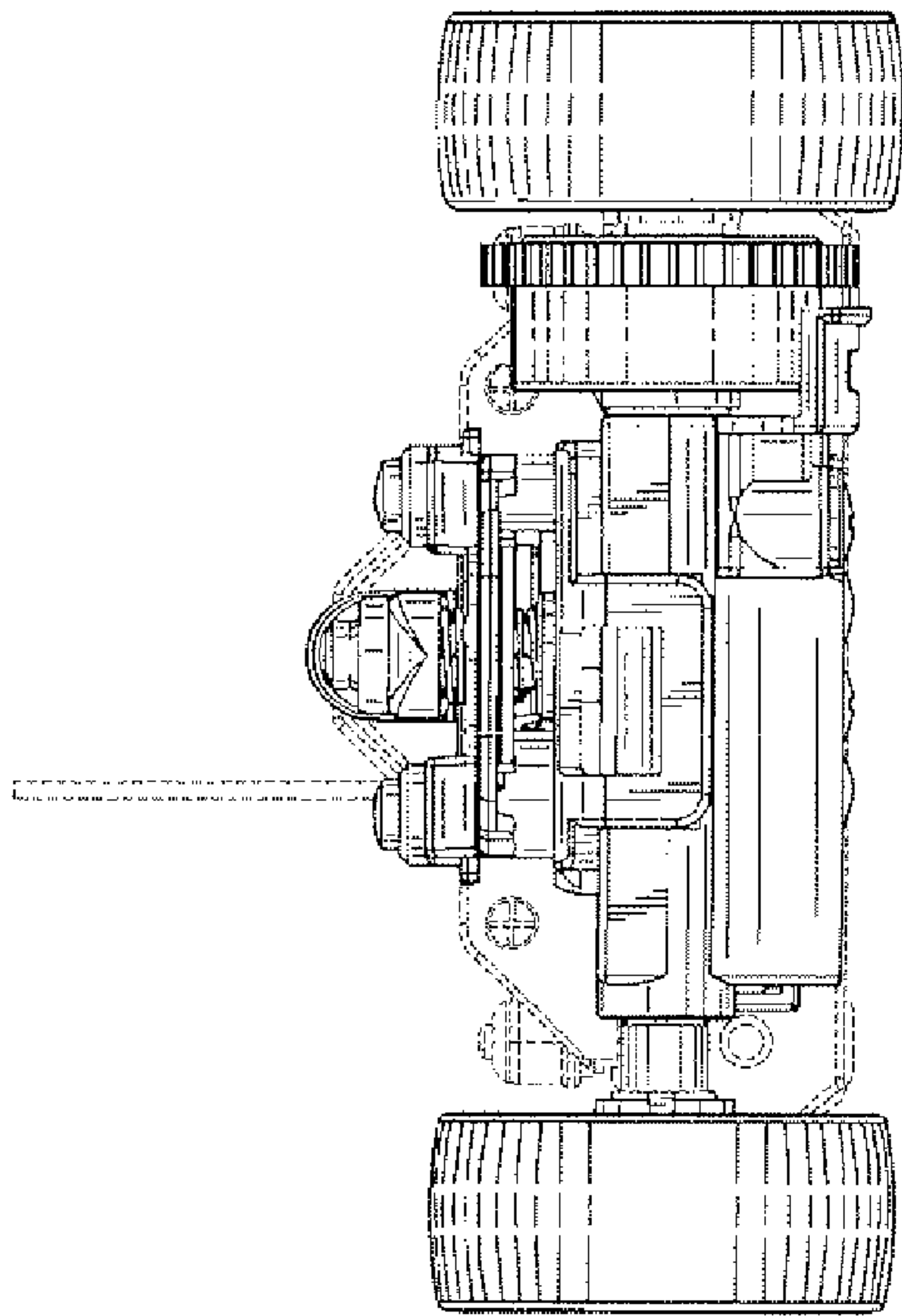
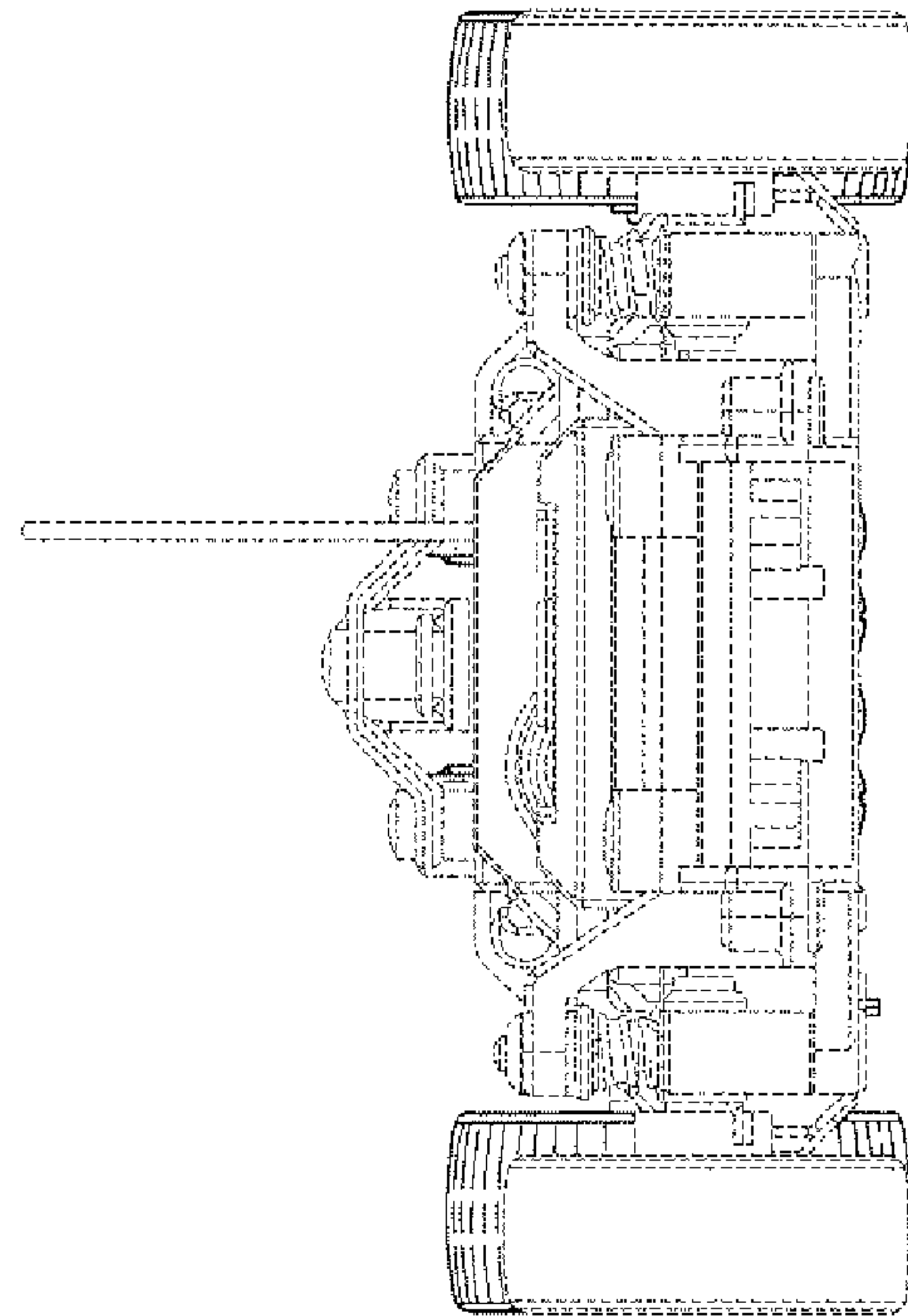


FIG. 3



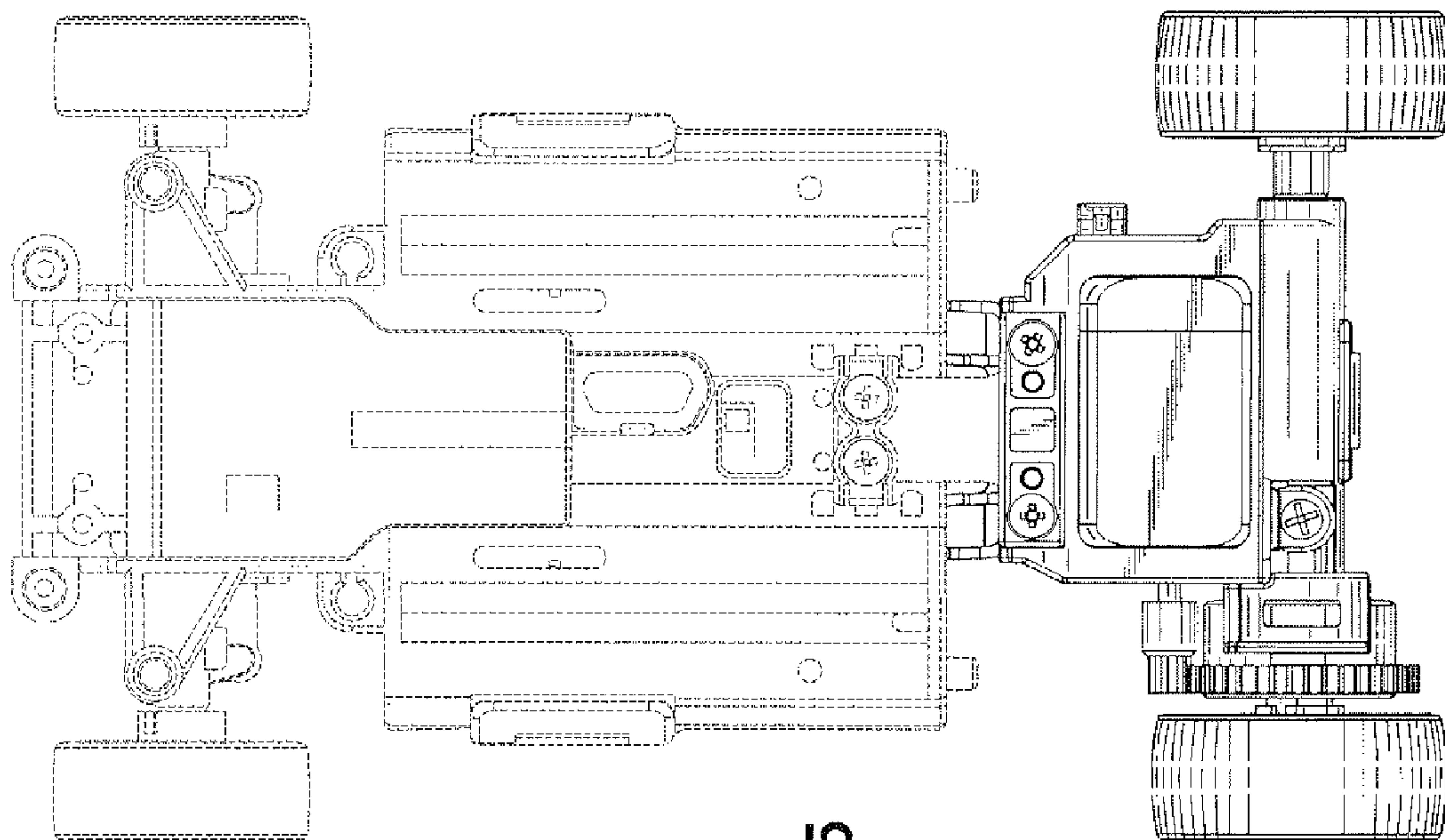


FIG. 5

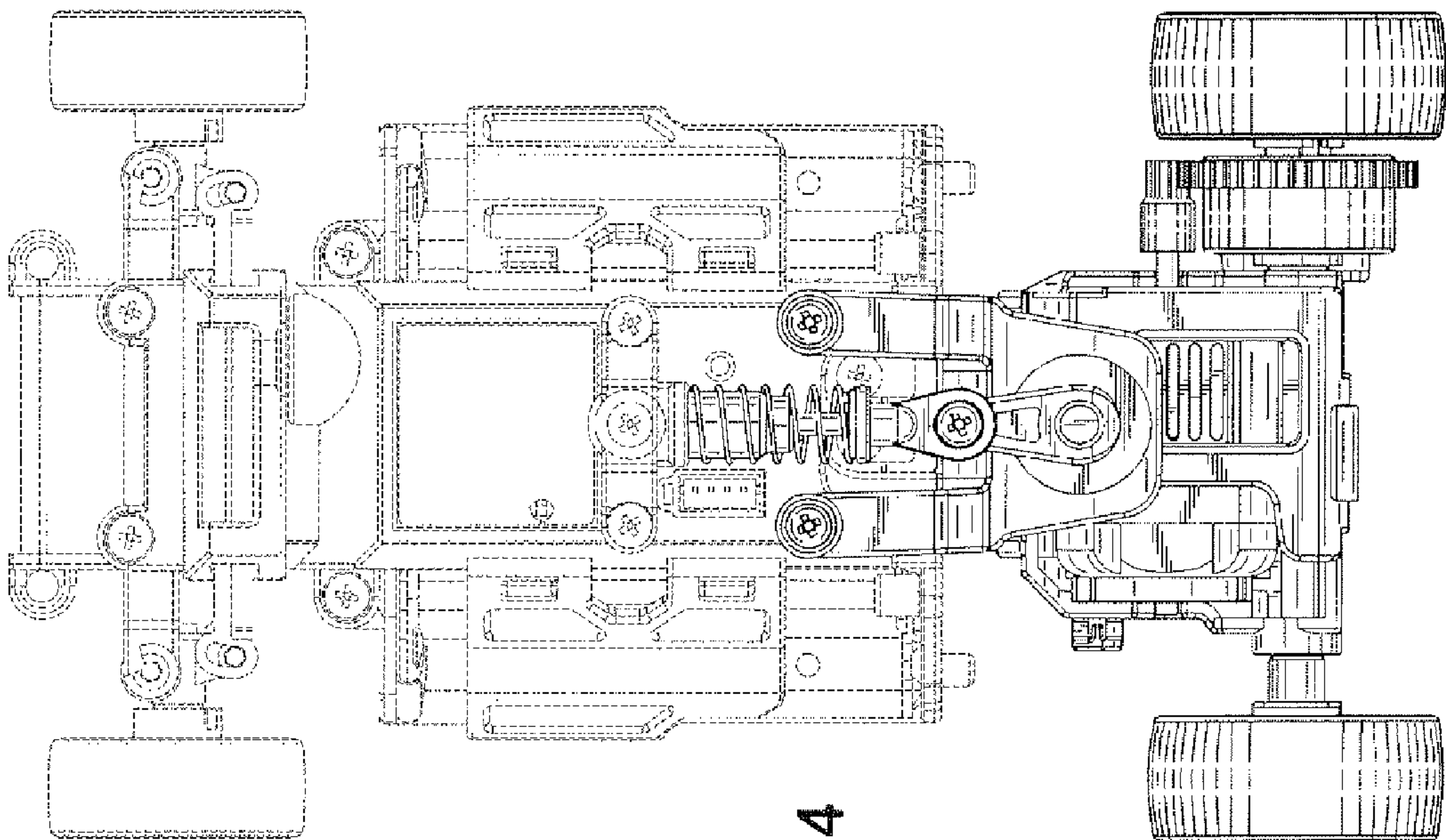


FIG. 4

FIG. 6

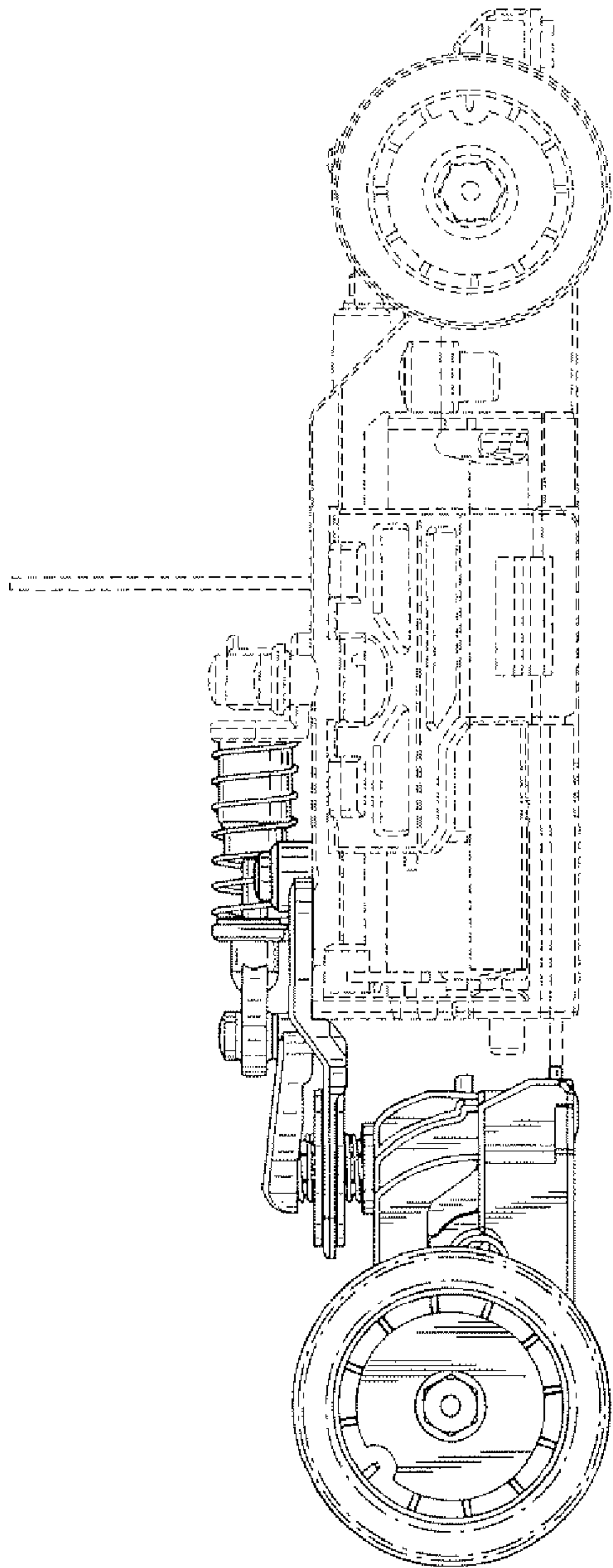


FIG. 7

